



Husqvarna®



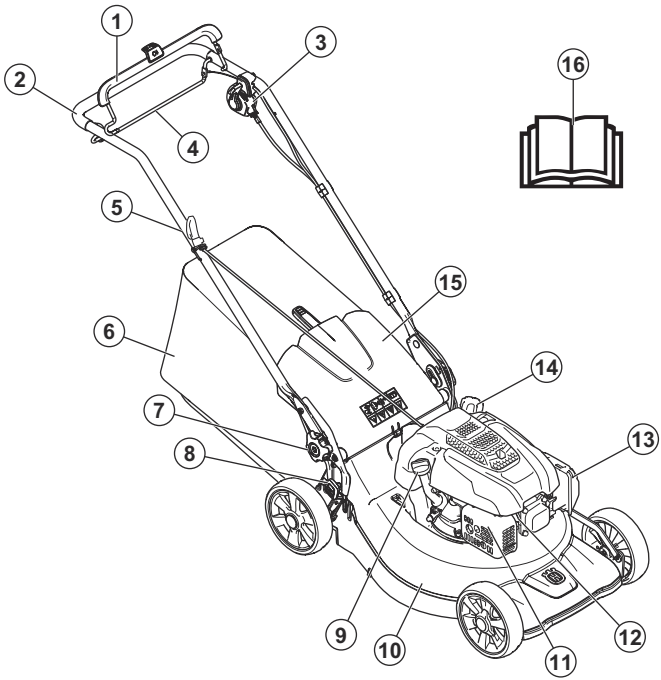
LC 551SP, LC 551VBP, LC 551VQ



EN	Operator's manual	8-21
BG	Ръководство за експлоатация	22-36
CS	Návod k použití	37-49
DA	Brugsanvisning	50-62
DE	Bedienungsanweisung	63-76
EL	Οδηγίες χρήσης	77-91
ES	Manual de usuario	92-105
ET	Kasutusjuhend	106-117
FI	Käyttöohje	118-130
FR	Manuel d'utilisation	131-144
HR	Priručnik za korištenje	145-157
HU	Használati utasítás	158-171
IT	Manuale dell'operatore	172-185
JA	取扱説明書	186-198
LT	Operatoriaus vadovas	199-211
LV	Lietošanas pamācība	212-224
NL	Gebruiksaanwijzing	225-237
NO	Bruksanvisning	238-250
PL	Instrukcja obsługi	251-264
PT	Manual do utilizador	265-278
RO	Instrucțiuni de utilizare	279-291
RU	Руководство по эксплуатации	292-306
SK	Návod na obsluhu	307-319
SL	Navodila za uporabo	320-332
SR	Priručnik za rukovaoca	333-345
SV	Bruksanvisning	346-357
TR	Kullanım kılavuzu	358-370
UK	Посібник користувача	371-384

1

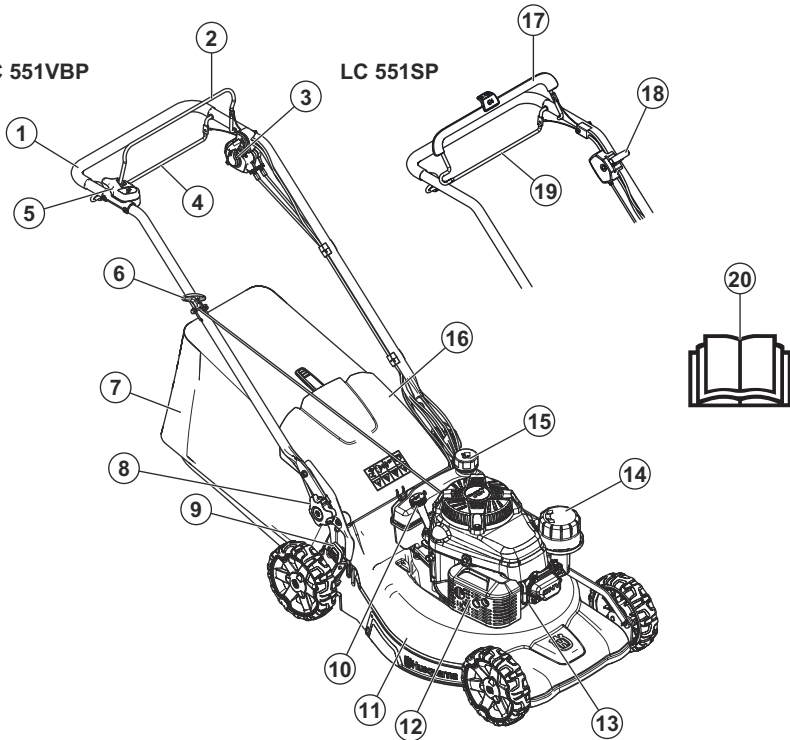
LC 551VQ

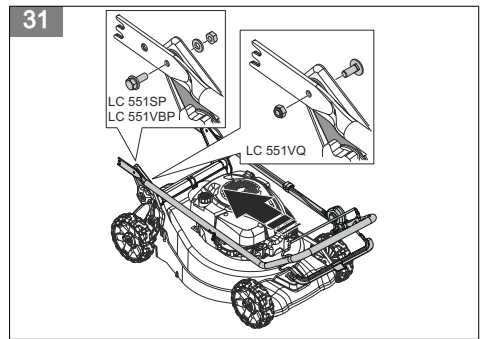
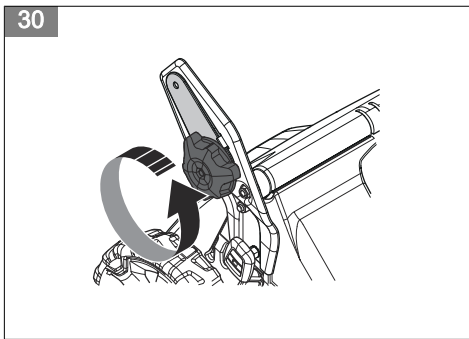
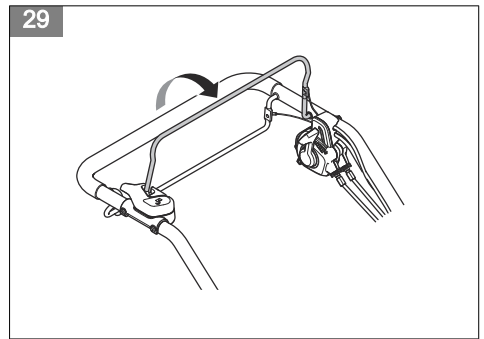
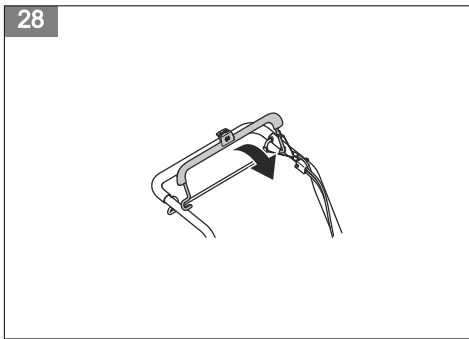
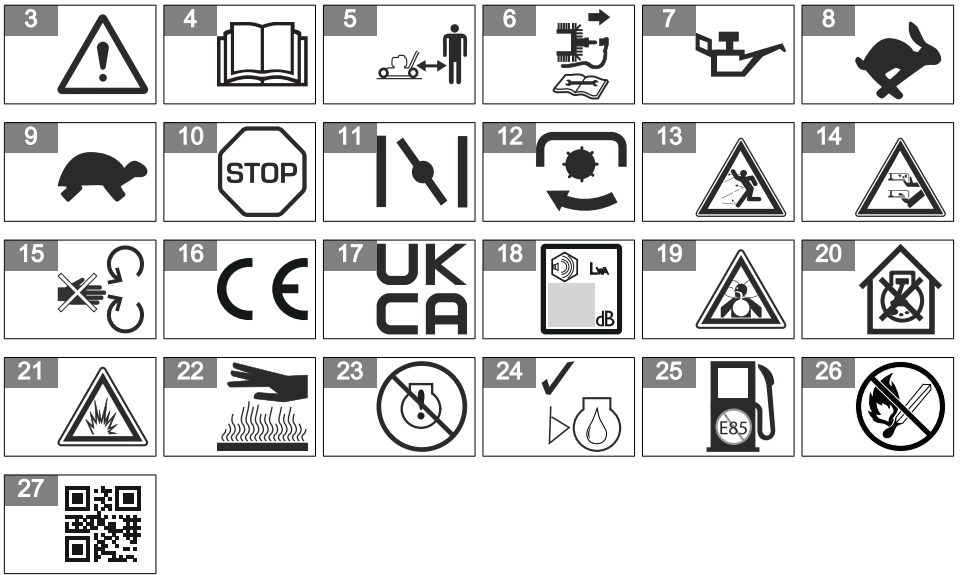


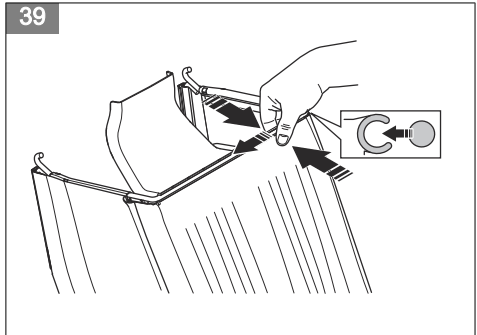
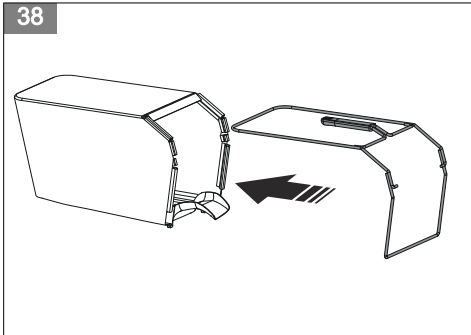
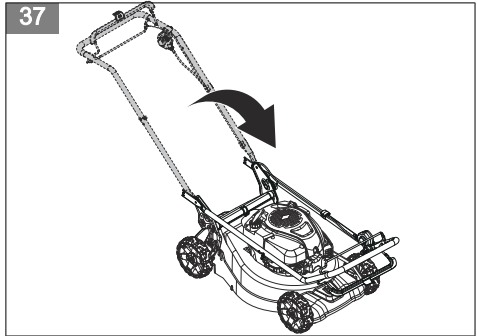
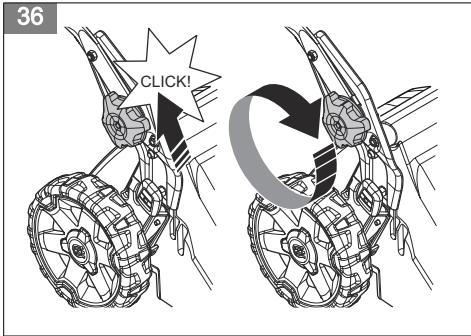
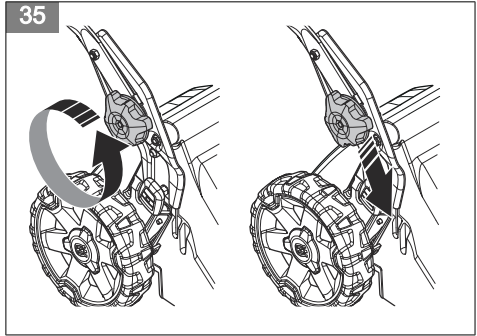
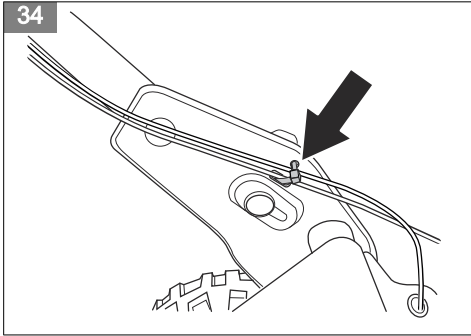
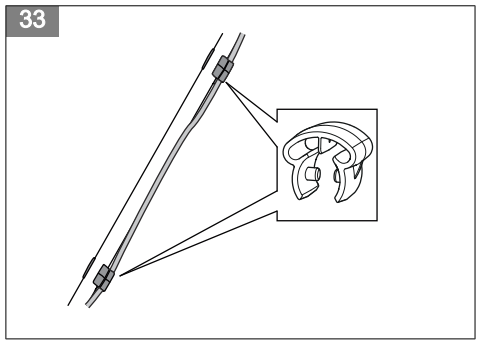
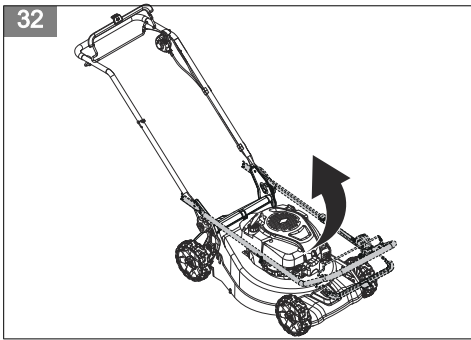
2

LC 551VBP

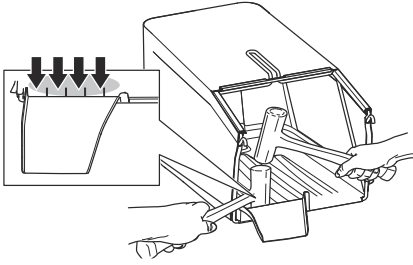
LC 551SP



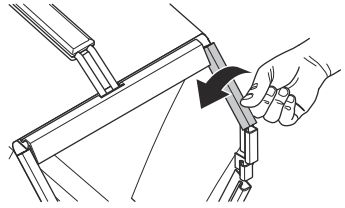




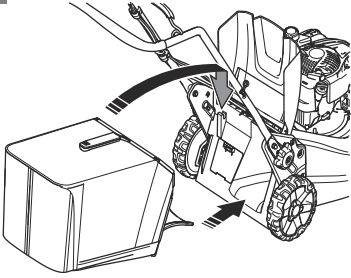
40



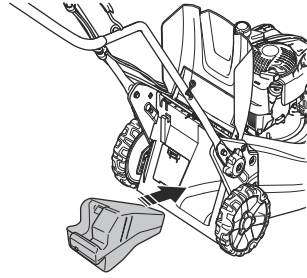
41



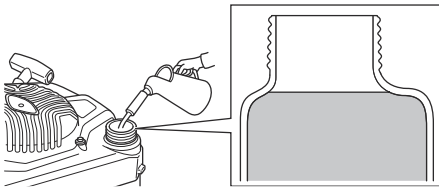
42



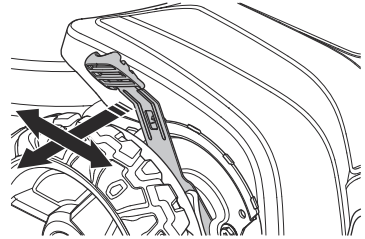
43



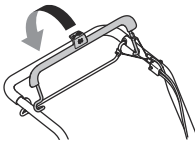
44



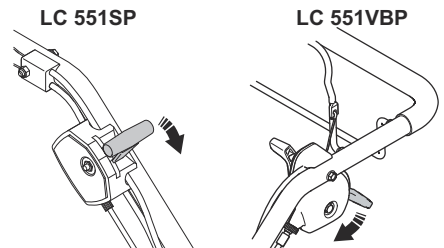
45



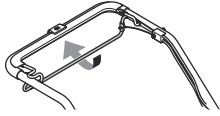
46



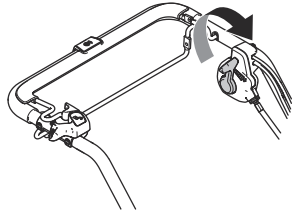
47



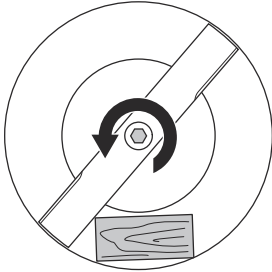
48



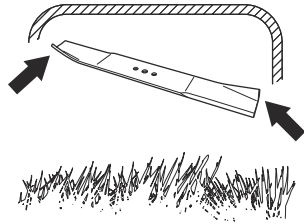
49



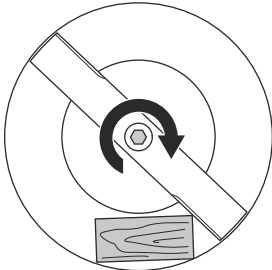
50



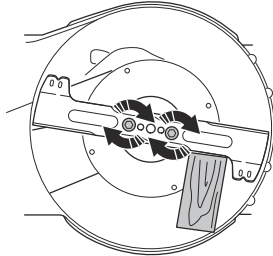
51



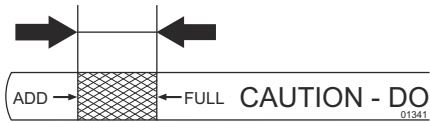
52



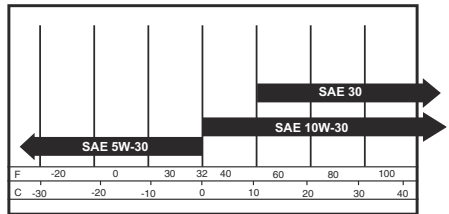
53



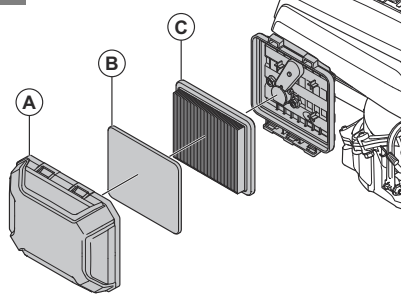
54



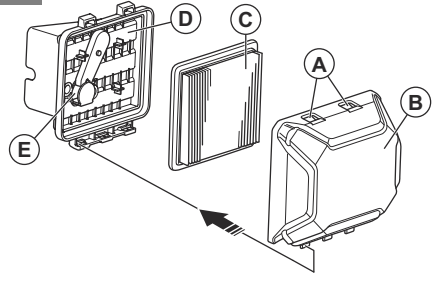
55



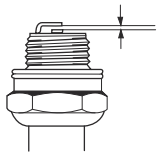
56



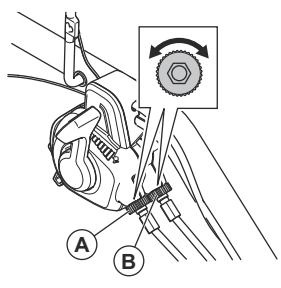
57



58



59



Contents

Introduction.....	8	Maintenance.....	14
Safety.....	9	Transportation, storage and disposal.....	17
Assembly.....	12	Technical data.....	17
Operation.....	13	Declaration of Conformity.....	20

Introduction

Product description

The product is a pedestrian-controlled rotary lawn mower. The grass is collected in a grass catcher. Remove the grass catcher to get rear discharge of the grass. Attach a mulch kit (accessory) to cut the grass into fertilizer.

Intended use

Use the product to cut grass. Do not use the product for other tasks.

Product overview

(Fig. 1)

1. Engine brake handle
2. Handle / handlebar
3. Speed control
4. Drive bail
5. Starter rope handle
6. Grass catcher
7. Handle height adjustment
8. Cutting height control

9. Dipstick / oil tank
10. Cutting cover
11. Muffler
12. Spark plug
13. Air filter
14. Fuel tank
15. Rear cover
16. Operator's manual

Product overview

(Fig. 2)

1. Handle / handlebar
2. Blade brake control (LC 551VBP)
3. Speed control / throttle control (LC 551VBP)
4. Drive bail (LC 551VBP)
5. Start inhibitor (LC 551VBP)
6. Starter rope handle
7. Grass catcher
8. Handle height adjustment
9. Cutting height control
10. Dipstick / oil tank
11. Cutting cover
12. Muffler
13. Spark plug
14. Air filter
15. Fuel tank
16. Rear cover
17. Engine brake handle (LC 551SP)
18. Throttle control (LC 551SP)
19. Drive bail (LC 551SP)
20. Operator's manual

Symbols on the product

- (Fig. 3) Not careful or incorrect use can result in injury or death to the operator or bystanders.
- (Fig. 4) Read the operator's manual carefully and make sure that you understand the instructions before use.
- (Fig. 5) Keep persons and animals at a safe distance from the work area.
- (Fig. 6) Stop the engine and remove the ignition cable before repairs or maintenance.
- (Fig. 7) Oil
- (Fig. 8) Fast
- (Fig. 9) Slow
- (Fig. 10) Stop the engine
- (Fig. 11) Choke

- | | | | |
|-----------|--|-----------|---|
| (Fig. 12) | Blade clutch | (Fig. 22) | Hot surface |
| (Fig. 13) | Look out for thrown objects and ricochets. | (Fig. 23) | The engine is supplied without oil. |
| (Fig. 14) | Keep hands and feet away from the rotating blade. | (Fig. 24) | Fill with oil before you use the product. |
| (Fig. 15) | Keep hands and feet away from the rotating parts. | (Fig. 25) | Do not use E85 fuel. |
| (Fig. 16) | This product is in accordance with applicable EU directives. | (Fig. 26) | Keep the product away from open flames. |
| (Fig. 17) | This product conforms to applicable UK regulations. | (Fig. 27) | Scannable code. |
| (Fig. 18) | Noise emission to the environment label as per EU and UK directives and regulations, and New South Wales legislation "Protection of the Environment Operations (Noise Control) Regulation 2017". The guaranteed sound power level of the product is specified in <i>Technical data on page 17</i> and on the label | | |
| (Fig. 19) | The exhaust fumes from the engine contain carbon monoxide, an odourless, poisonous and very dangerous gas. Do not run the product indoors or in closed spaces. | | |
| (Fig. 20) | Do not run the product indoors or in closed spaces. | | |
| (Fig. 21) | Risk of explosion. | | |

Note: Other symbols/decals on the product refer to market specific legal requirements.

Euro V Emissions



WARNING: Tampering with the engine voids the EU type-approval of this product.

Product liability

As referred to in the product liability laws, we are not liable for damages that our product causes if:

- the product is incorrectly repaired.
- the product is repaired with parts that are not from the manufacturer or not approved by the manufacturer.
- the product has an accessory that is not from the manufacturer or not approved by the manufacturer.
- the product is not repaired at an approved service center or by an approved authority.

Safety

Safety definitions

Warnings, cautions and notes are used to point out specially important parts of the manual.



WARNING: Used if there is a risk of injury or death for the operator or bystanders if the instructions in the manual are not obeyed.



CAUTION: Used if there is a risk of damage to the product, other materials or the adjacent area if the instructions in the manual are not obeyed.

Note: Used to give more information that is necessary in a given situation.

General safety instructions



WARNING: Read the warning instructions that follow before you use the product.

- This product is dangerous if used incorrectly or if you are not careful. Injury or death can occur if you do not obey the safety instructions.
- This product produces an electromagnetic field during operation. This field may under some circumstances interfere with active or passive medical implants. To reduce the risk of serious or fatal injury we recommend persons with medical implants to consult their physician and the medical implant manufacturer before operating this product.
- Always be careful and use your common sense. If you are not sure how to operate the product in a

special situation, stop and speak to your Husqvarna dealer before you continue.

- Keep in mind that the operator will be held responsible for accidents that involve other persons or their property.
- Keep the product clean. Make sure that you can clearly read signs and decals.
- Do not let a person use the product unless you make sure that they read and understand the contents of the operator's manual.
- Do not let a child operate the product.
- Keep children away from the work area. A responsible adult must be there at all times.
- Do not let a person, without knowledge of the instructions, operate the product.
- Always monitor a person, with decreased physical capacity or mental capacity, that uses the product. A responsible adult must be there at all times.
- Do not use the product if you are tired, ill, or under the influence of alcohol, drugs or medicine. This has a negative effect on your vision, alertness, coordination and judgment.
- Do not use the product if it is defective.
- Do not change this product or use it if it is possible that it has been changed by others.
- Do not change the adjustment for the engine speed control.

Work area safety



WARNING: Read the warning instructions that follow before you use the product.

- Remove objects such as branches, twigs and stones from the work area before you use the product.
- Objects that hit against the cutting equipment can eject and cause damage to persons and objects. Keep bystanders and animals at a safe distance from the product.
- Never use the product in bad weather such as fog, rain, strong winds, intense cold and risk of lightning. To use the product in bad weather or in moist or wet locations is tiring. Bad weather can cause dangerous conditions, such as slippery surfaces.
- Look out for persons, objects and situations that can prevent safe operation of the product.
- Look out for obstacles, such as roots, stones, twigs, pits and ditches. Long grass can hide obstacles.
- To cut grass on slopes can be dangerous. Do not use the product on ground that slopes more than 15°.
- Operate the product across the face of slopes. Do not move up and down.
- Be careful when you go near hidden corners and objects that prevent a clear view.

Work safety



WARNING: Read the warning instructions that follow before you use the product.

- Use this product to cut grass lawns only. It is not permitted to use it for other tasks.
- Use personal protective equipment. Refer to *Personal protective equipment on page 11*.
- Make sure that you know how to stop the engine quickly in an emergency.
- Never start the engine in a closed space or near flammable material. The exhaust fumes from the engine are hot and can contain sparks which can start a fire.
- Do not operate the product unless the blade and all covers are attached correctly. An incorrectly attached blade can come loose and cause personal injury.
- Make sure that the blade does not hit objects such as stones and roots. This can do damage to the blade and bend the engine shaft. A bent axle causes heavy vibration and a very high risk that the blade becomes loose.
- If the blade hits an object or if vibrations occur, stop the product immediately. Disconnect the ignition cable from the spark plug. Examine the product for damages. Repair damages or let an authorised service agent do the repair.
- Never attach the engine brake handle permanently to the handle when the engine is started.
- Put the product on a stable, flat surface and start it. Make sure that the blade does not hit the ground or other objects.
- Always stay behind the product when you operate it.
- Let all the wheels stay on the ground and keep 2 hands on the handle when you operate the product. Keep your hands and feet away from the rotating blades.
- Do not tilt the product when the engine is started.
- Be careful when you pull the product rearward.
- Never lift up the product when the engine is started. If you must lift the product, first stop the engine and disconnect the ignition cable from the spark plug.
- Do not walk rearward when you operate the product.
- Stop the engine when you move across areas without grass, for example paths made of gravel, stone and asphalt.
- Do not run with the product when the engine is started. Always walk when you operate the product.
- Stop the engine before you change the cutting height. Never make adjustments with the engine started.
- Never let the product stay out of view with the engine started. Stop the engine and make sure that the cutting equipment does not rotate.

Safety instructions for operation

Personal protective equipment



WARNING: Read the warning instructions that follow before you use the product.

- Personal protective equipment cannot fully prevent injury but it decreases the degree of injury if an accident does occur. Let your dealer help you select the right equipment.
- Use hearing protection if the noise level is higher than 85 dB.
- Use heavy-duty slip-resistant boots or shoes. Do not use open shoes or go with bare feet.
- Use heavy, long pants.
- Use protective gloves when necessary, for example when you attach, examine or clean the cutting equipment.

Safety devices on the product



WARNING: Read the warning instructions that follow before you use the product.

- Do not use a product with safety devices that are damaged or do not operate correctly.
- Do a check of the safety devices regularly. If the safety devices are damaged or do not operate correctly, speak to your Husqvarna service agent.
- Do not make modifications to safety devices.

To do a check of the cutting cover

The cutting cover decreases vibrations in the product and decreases the risk of injury from the blade.

- Examine the cutting cover to make sure that there are no damages such as cracks.

To do a check of the engine brake handle (LC 551SP, LC 551VQ)

The engine brake handle stops the engine. When the engine brake handle is released, the engine stops.

- Start the engine and then release the engine brake handle. If the engine does not stop in 3 seconds, let an approved Husqvarna service agent adjust the engine brake. (Fig. 28)

To do a check of the blade brake control and the start inhibitor (LC 551VBP)

The blade brake control stops the blade only and not the engine. When the blade brake control is released, the blade stops.

1. Start the engine.

2. Push the blade brake control in the direction of the handlebar. The start inhibitor stops the movement.
3. Push the start inhibitor out.
4. Push the blade brake control in the direction of the handlebar. The blade starts to rotate.
5. Release the blade brake control. If the blade does not stop in 3 seconds, let an approved Husqvarna service agent adjust the blade brake. (Fig. 29)
6. Make sure that the start inhibitor goes back to its initial position.

Muffler

The muffler keeps the noise levels to a minimum and sends the exhaust fumes away from the operator.

Do not use the product if the muffler is missing or defective. A defective muffler increases the noise level and the risk of fire.



WARNING: The muffler becomes very hot during and after use and when the engine operates at idle speed. Be careful near flammable materials and/or fumes to prevent fire.

To do a check of the muffler

- Examine the muffler regularly to make sure that it is attached correctly and not damaged.

Fuel safety



WARNING: Read the warning instructions that follow before you use the product.

- Do not start the product if there is fuel or engine oil on the product. Remove the unwanted fuel/oil and let the product dry.
- If you spill fuel on your clothing, change clothing immediately.
- Do not get fuel on your body, it can cause injury. If you get fuel on your body, use soap and water to remove the fuel.
- Do not start the product if the engine has a leak. Examine the engine for leaks regularly.
- Be careful with fuel. Fuel is flammable and the fumes are explosive and can cause injuries or death.
- Do not breathe in the fuel fumes, it can cause injury. Make sure that there is a sufficient airflow.
- Do not smoke near the fuel or the engine.
- Do not put warm objects near the fuel or the engine.
- Do not add the fuel when the engine is on.
- Make sure that the engine is cool before you refuel.
- Before you refuel, open the fuel tank cap slowly and release the pressure carefully.

- Do not add fuel to the engine in an indoor area. Not sufficient airflow can cause injury or death because of asphyxiation or carbon monoxide.
- Tighten the fuel tank cap fully. If the fuel tank cap is not tightened, there is a risk of fire.
- Move the product a minimum of 3 m / 10 ft from the position where you filled the tank before a start.
- Do not fill the fuel tank fully. Heat causes the fuel to expand. Keep a space at the top of the fuel tank.
- Before you do the maintenance on the product, stop the engine and remove the ignition cable from the spark plug.
- Use protective gloves when you do maintenance on the cutting equipment. The blade is very sharp and cuts can easily occur.
- Accessories and changes to the product that are not approved by the manufacturer, can cause serious injury or death. Do not change the product. Always use accessories that are approved by the manufacturer.

Safety instructions for maintenance



WARNING: Read the warning instructions that follow before you use the product.

- The exhaust fumes from the engine contain carbon monoxide, an odourless, poisonous and very dangerous gas. Do not start the engine indoors or in closed spaces.

- If the maintenance is not done correctly and regularly, the risk of injury and damage to the product increases.
- Only do the maintenance as given in this owner's manual. All other servicing must be done by an approved Husqvarna service agent.
- Let an approved Husqvarna service agent do servicing on the product regularly.
- Replace damaged, worn or broken parts.

Assembly

Introduction



WARNING: Before you assemble the product, you must read and understand the safety chapter.



WARNING: Remove the spark plug cable from the spark plug before you assemble the product.

To assemble the handle

1. Loosen the lower knobs on the left and the right side of the product. Make sure that the plastic washer is in the recess in the handle bracket. (Fig. 30)
2. Install the handle folded forward as shown in the illustration. (Fig. 31)
 - a) Make sure that the plastic washer is between the handle and the handle bracket.
 - b) Attach the handle to the handle bracket.
3. Lift the handle up. (Fig. 32)
4. Tighten the knobs fully. To adjust the handle height, refer to *To adjust the handle height on page 12*.
5. Put the wires in the cable brackets. Make sure that the wires are not twisted. Attach the cable brackets to the handle. (Fig. 33)
6. Use a cable tie to attach the cables to the handle bracket. (Fig. 34)

To adjust the handle height

1. Loosen the lower knobs.

2. Move the knobs to the lower end of the grooves on the left and the right side of the product. (Fig. 35)
3. Set the handle height in 1 of the 2 available positions.
4. Move the knobs up in the direction of the handlebar until they stop and you hear a click. (Fig. 36)
5. Tighten the knobs fully.

To set the product in transport position

1. Remove the grass catcher.
2. Loosen the lower knobs.
3. Move the knobs to the lower end of the grooves on the left and the right side of the product. (Fig. 35)
4. Fold the handle forward. (Fig. 37)

To set the product in operation position

1. Lift the handlebar up. (Fig. 32)
2. Move the knobs up in the direction of the handlebar until they stop and you hear a click. (Fig. 36)
3. Tighten the knobs fully.

To assemble the grass catcher

1. Attach the grass catcher frame to the grass bag with the rigid part of the bag on the bottom. Keep the handle of the frame on top of the grass bag. (Fig. 38)
2. Attach the bottom of the grass catcher frame to the bottom of the grass bag. (Fig. 39)
 - a) Push the grass catcher frame into the groove. Start at the right side as shown in the illustration and move gradually to the left.

3. If the grass catcher frame is not easy to attach, hit the grass catcher frame carefully with a rubber mallet. Hit the grass catcher frame between the reinforcements. (Fig. 40)
4. Attach the grass bag to the grass catcher frame with the clips. (Fig. 41)
5. Lift the rear cover.
6. Attach the grass catcher to the top edge of the chassis.
7. Put the lower part of the grass catcher into the grass discharge channel. (Fig. 42)

To assemble the mulch plug (accessory)

1. Lift up the rear cover and remove the grass catcher.

2. Put the mulch plug into the discharge channel. (Fig. 43)
3. Replace the blade with the mulch blade that is supplied with the mulch kit. Refer to *To replace the blade on page 15*.

To cut grass without a grass catcher or mulch plug attached

- Lift up the rear cover and remove the grass catcher.
- If a mulch plug and a mulch blade are attached, remove them.
- Close the rear cover before you operate the product.

When you operate the product, the cut grass discharges below the rear cover.

Operation

Introduction



WARNING: Before you operate the product, you must read and understand the safety chapter.

Husqvarna Connect

Husqvarna Connect is a free app for your mobile device. The Husqvarna Connect app gives extended functions for your Husqvarna product:

- Extended product information.
- Information about, and help with, product parts and servicing.

To start to use Husqvarna Connect

1. Download the Husqvarna Connect app on your mobile device.
2. Register in the Husqvarna Connect app.
3. Do the instruction steps in the Husqvarna Connect app to connect and register the product.

Before you operate the product

1. Read the operator's manual carefully and make sure that you understand the instructions.
2. Examine the cutting equipment to make sure that it is correctly attached and adjusted. See *To examine the cutting equipment on page 15*.
3. Fill the fuel tank. See *To fill fuel on page 13*.
4. Fill the oil tank and do a check of the oil level. See *To do a check of the oil level on page 16*.

To fill fuel

If available, use low-emission/alkylate gasoline. If low-emission/alkylate gasoline is not available, use good

quality unleaded gasoline or leaded gasoline with octane number not less than 90.



CAUTION: Do not use gasoline with an octane number less than 90 RON (87 AKI). This can cause damage to the product.

1. Open the fuel tank cap slowly to release the pressure.
2. Fill slowly with a fuel can. If you spill fuel, remove it with a cloth and let remaining fuel dry off. (Fig. 44)
3. Clean the area around the fuel tank cap.
4. Tighten the fuel tank cap fully. If the fuel tank cap is not tightened, there is a risk of fire.
5. Move the product a minimum of 3 m (10 ft) from the position where you filled the tank before a start.

To set the cutting height

The cutting height can be adjusted in 6 levels.

1. Push the cutting height control in the direction of the wheel and then rearward to increase the cutting height.
2. Push the cutting height control in the direction of the wheel and then forward to decrease the cutting height. (Fig. 45)



CAUTION: Do not set the cutting height too low. The blades can hit the ground if the surface of the lawn is not level.

To start the product (LC 551VQ)

1. Make sure that the ignition cable is connected to the spark plug.
2. Stay behind the product.
3. Hold the engine brake handle against the handlebar. (Fig. 46)

4. Hold the starter rope handle with your right hand.
5. Slowly pull out the starter rope until you feel some resistance.
6. Pull with force to start the engine.

- Before you pull the product rearward, disengage the drive and push the product forward approximately 10 cm.
- Release the drive bail to disengage the drive, for example when you go near an obstacle.

To start the product (LC 551SP, LC 551VBP)

1. Make sure that the ignition cable is connected to the spark plug.
2. Stay behind the product.
3. Adjust the throttle control.
 - a) If the engine is cold, set the throttle control to the choke position. (Fig. 47)
 - b) If the engine is warm, do not set the throttle control to the choke position.
4. On model LC 551SP, hold the engine brake handle against the handlebar. (Fig. 46)
5. Hold the starter rope handle with your right hand.
6. Slowly pull out the starter rope until you feel some resistance.
7. Pull with force to start the engine.
8. Set the throttle control to full throttle.
9. On model LC 551VBP:
 - a) Release the start inhibitor.
 - b) Push the blade brake control in the direction of the handlebar to start the blades.

To stop the product (LC 551SP, LC 551VQ)

- To stop the drive only, release the drive bail.
- To stop the engine, release the engine brake handle.

To stop the product (LC 551VBP)

- To stop the drive only, release the drive bail.
- To stop the engine, move the throttle control to the stop position.

To get a good result

- Always use a sharp blade. A blunt blade gives an irregular result and the cut surface of the grass becomes yellow. A sharp blade also uses less energy than a blunt blade.
- Do not cut more than 1/3 of the length of the grass. Cut first with the cutting height set high. Examine the result and lower the cutting height to an applicable level. If the grass is very long, drive slowly and cut 2 times if necessary.
- Cut in different directions each time to prevent stripes in the lawn.
- Keep the cutting cover clean. Buildup from grass and dirt on the inner side of the cutting cover can decrease the cutting result. Refer to *To clean the inner surface of the cutting cover on page 15*.

To use the drive on the wheels

- Pull the drive bail in the direction of the handlebar. (Fig. 48)
- For model LC 551VQ and model LC 551VBP: Adjust the drive speed with the speed control on the left side of the handle. Move the speed control forward to increase the speed and rearward to decrease the speed. (Fig. 49)

Maintenance

Introduction



WARNING: Before you do maintenance, you must read and understand the safety chapter.

For all servicing and repair work on the product, special training is necessary. We guarantee the availability of professional repairs and servicing. If your dealer is not a service agent, speak to them for information about the nearest service agent.

For more detailed information, refer to www.husqvarna.com.

Maintenance schedule



CAUTION: Make sure that the air filter is up and not against the ground when you tilt the product. Risk of engine damage.

The maintenance intervals are calculated from daily use of the product. The intervals change if the product is not used daily.

For maintenance identified with * refer to instructions in *Safety devices on the product on page 11*.

Maintenance	Daily	Weekly	Monthly
Do a general inspection	X		
Examine the oil level	X		
Clean the product	X		
Examine the cutting equipment	X		
Examine the cutting cover *	X		
Examine the engine brake handle * LC 551SP, LC 551VQ	X		
Examine the blade brake control * LC 551VBP	X		
Examine the muffler *		X	
Examine the spark plug		X	
Replace the oil (the first time after 5 h use, then after each 50 h use and yearly)			X
Clean or replace the air filter			X
Examine the fuel system			X

To do a general inspection

- Make sure that all nuts and screws on the product are tightened correctly.

To clean the product

- Clean plastic parts with a clean and dry cloth.
- Do not use water to clean the product. Water can enter the battery or the motor and cause short circuit or damage to the product.
- Do not use a high pressure washer to clean the product.
- Do not flush water directly on the motor.
- Use a brush to remove leaves, grass and dirt.
- Remove the clutch cover, use a brush to remove grass below the clutch cover. (LC 551VBP)

To clean the inner surface of the cutting cover

1. Empty the fuel tank.
2. Put the product on its side with the muffler down.



CAUTION: If the product is put with the air filter down, the engine can become damaged.

3. Hose down the inner surface of the cutting cover with water.

To examine the cutting equipment



WARNING: To prevent accidental start remove the ignition cable from the spark plug.



WARNING: Use protective gloves when you do maintenance on the cutting equipment. The blade is very sharp and cuts can easily occur.

1. Examine the cutting equipment for damage or cracks. Always replace a damaged cutting equipment.
2. Look at the blade to see if it is damaged or blunt.

Note: It is necessary to balance the blade after it is sharpened. Let a service center sharpen, replace and balance the blade. If you hit an obstacle that causes the product to stop, replace the damaged blade. Let the service center estimate if the blade can be sharpened or must be replaced.

To replace the blade

1. Lock the blade with a block of wood. (Fig. 50)
2. Remove the blade bolt.
3. Remove the blade.
4. Examine the blade support and blade bolt for damage.
5. Examine the engine shaft to make sure that it is not bent.
6. When you attach the new blade, point the angles of the blade in the direction of the cutting cover. (Fig. 51)
7. Make sure that the blade is aligned with the center of the engine shaft.
8. Lock the blade with a block of wood. (Fig. 52)

9. Attach the blade.
 - a) On model LC 551SP, LC 551VQ, attach the spring washer and tighten the bolt and washer with a torque of 70 Nm.
 - b) On model LC 551VBP, tighten the bolts with a torque of 50 Nm. (Fig. 53)
10. Pull the blade around by hand and make sure that it turns freely.



WARNING: Use heavy duty gloves. The blade is very sharp and injuries can easily occur.

11. Start the product to do a test of the blade. If the blade is not correctly attached, there is vibration in the product or the cutting result is unsatisfactory.

To do a check of the oil level



CAUTION: A too low oil level can do damage to the engine. Do a check of the oil level before you start the product.

1. Put the product on level ground.
2. Remove the oil tank cap with the attached dipstick.
3. Clean the oil from the dipstick.
4. Put the dipstick fully into the oil tank. Tighten the oil tank cap to make sure to give a correct picture of the oil level.
5. Remove the dipstick.
6. Examine the oil level on the dipstick.
7. If the oil level is low, fill with engine oil and do a check of the oil level again.

(Fig. 54)

Note: Use a funnel to prevent spill.

To replace the engine oil



WARNING: Engine oil is very hot directly after the engine is stopped. Let the engine become cool before you drain the engine oil. If you spill engine oil on your skin, clean with soap and water.

(Fig. 55)

1. Remove the ignition cable from the spark plug.
2. Remove the oil tank cap.
3. Drain the engine oil.
 - a) For models with an oil drain plug: Put a container below the oil drain plug, to collect the engine oil in.

- b) For models without an oil drain plug or if it is not possible to put a container below the oil drain plug: Use an oil pump (accessory) to drain the engine oil from the oil tank.
4. Fill with new engine oil of the type recommended in *Technical data on page 17*.
5. Do a check of the oil level. Refer to *To do a check of the oil level on page 16*.

To fill and replace the engine oil

- For information on how to fill and replace the engine oil, refer to the operator's manual for the engine.

To clean and replace the air filter (LC 5551SP, LC 551VBP)

- For information on how to clean and replace the air filter, refer to the operator's manual for the engine.

To remove and install the air filter (LC 551VQ)



WARNING: Use protective gloves.

1. Push the clips on the air filter cover.
2. Carefully remove the air filter cover (A) from the engine.
3. Remove the air filter (B) and the foam filter (C). (Fig. 56)
4. Examine the air filter for damages. Replace a damaged air filter.
5. Clean and examine the air filter. Refer to *To clean the air filter (LC 551VQ) on page 16*.
6. Install in the opposite sequence.

To clean the air filter (LC 551VQ)



CAUTION: Do not operate the engine without an air filter attached or if the air filter is dirty.



CAUTION: Replace the air filter if it cannot be fully cleaned or if it is damaged. A defective air filter causes damage to the engine.

1. Push the latch tabs (A), remove the air filter cover (B) and remove the air filter (C). (Fig. 57)
2. Hit the air filter against a hard surface or blow compressed air through the air filter from the clean side of the air filter.



CAUTION: Do not use a brush to remove dirt as this pushes the dirt into the air filter.

- Clean the air filter holder (D) and the air filter cover with a moist cloth.



CAUTION: Make sure that no dirt goes into the air duct (E).

- Install the air filter. Make sure that the air filter fully seals against the air filter holder.
- Install the air filter cover with the bottom tabs first.

To examine the spark plug



CAUTION: Always use the recommended spark plug type. Incorrect spark plug type can cause damage to the product.

- Examine the spark plug if the engine is low on power, is not easy to start or does not operate correctly at idle speed.
- To decrease the risk of unwanted material on the spark plug electrodes, obey these instructions:
 - Make sure that the idle speed is correctly adjusted.
 - Make sure that the fuel mixture is correct.

c) Make sure that the air filter is clean.

- If the spark plug is dirty, clean it and make sure that the electrode gap is correct, refer to *Technical data on page 17*. (Fig. 58)
- Replace the spark plug if it is necessary.

To examine the fuel system

- Examine the fuel tank cap and the seal for the fuel tank cap to make sure that there are no damages.
- Examine the fuel hose to make sure that there are no leaks. If the fuel hose is damaged, let a service agent replace it.

To adjust the speed control and throttle control

The speed control adjusts the drive speed. The throttle control adjusts the engine speed.



CAUTION: Do not adjust the speed control when the engine is on.

- To adjust the drive speed, turn the adjuster screw (A) to adjust the length of the cable sheath. Make the cable sheath shorter to increase the drive speed.
- If the choke position or stop position cannot be engaged, adjust the engine speed. Turn the adjuster screw (B). (Fig. 59)

Transportation, storage and disposal

Transportation and storage

- For storage and transportation of the product and fuel, make sure that there are no leaks or fumes. Sparks or open flames, for example from electrical devices or boilers, can start a fire.
- Always use approved containers for storage and transportation of fuel.
- Empty the fuel tank before you put the product in storage for a long period of time. Discard the fuel at an applicable disposal location
- Safely attach the product during transportation to prevent damage and accidents.

- Keep the product in a locked area to prevent access for children or persons that are not approved.
- Keep the product in a dry and frost free area.

Disposal

- Obey the local recycling requirements and applicable regulations.
- Discard all chemicals, such as engine oil or fuel, at a service center or at an applicable disposal location.
- When the product is no longer in use, send it to a Husqvarna dealer or discard it at a recycling location.

Technical data

	LC 551SP	LC 551VBP	LC 551VQ
Engine			
Brand	Kawasaki	Kawasaki	Husqvarna
Model	FJ180V	FJ180V	HS 166AP

	LC 551SP	LC 551VBP	LC 551VQ
Engine type	Single cylinder, 4-Stroke, Forced Air Cooling, OHV	Single cylinder, 4-Stroke, Forced Air Cooling, OHV	Single cylinder, 4-Stroke, Forced Air Cooling, OHV
Displacement, cm ³	179	179	166
Speed, rpm	2800	2800	2800
Nominal engine output, kW ¹	2.9	2.9	2.7
Ignition system			
Spark plug	NGK BPR5ES	NGK BPR5ES	Husqvarna HQT-7
Electrode gap, mm	0.6–0.8	0.6–0.8	0.7–0.8
Fuel and lubrication system			
Engine lubrication type	Pressure with Oilfilter	Pressure with Oilfilter	Splash
Fuel tank capacity, l	1.9	1.9	1.5
Oil tank capacity, l	0.7	0.7	0.5
Engine oil ²	Husqvarna SAE 30	Husqvarna SAE 30	Husqvarna SAE 30
Weight			
With empty tanks, kg	48.5	52.5	51.0
Noise emissions ³			
Sound power level, measured dB (A)	97	96	97
Sound power level, guaranteed L _{WA} dB (A)	98	98	98
Sound levels ⁴			
Sound pressure level at the operator's ear, dB (A)	87	84	86
Vibration levels ⁵			
Handle, m/s ²	4.5	4.5	3.2
Cutting equipment			
Cutting height, mm	26–74	26–74	26–74
Cutting width, mm	510	510	510
Blade	Collect	Collect	Collect

¹ The power rating of the engine indicated is the average net output (at specified rpm) of a typical production engine for the engine model measured to SAE standard J1349/ISO1585. Mass production engines may differ from this value. Actual power output for the engine installed on the final product will depend on the operating speed, environmental conditions and other values.

² If SAE-30 oil is used at temperature lower than +5 °C, there is a risk that it does not lubricate the engine sufficiently. This can cause engine damage. Refer to *To replace the engine oil on page 16* for the correct oil for low temperatures.

³ Noise emissions in the environment measured as sound power (L_{WA}) in conformity with EC directive 2000/14/EC.

⁴ Noise pressure level according to ISO 5395. Reported data for noise pressure level has a typical statistical dispersion (standard deviation) of 1.2 dB (A).

⁵ Vibration level according to ISO 5395. Reported data for vibration level has a typical statistical dispersion (standard deviation) of 0.2 m/s².

	LC 551SP	LC 551VBP	LC 551VQ
Article number	5875908-10	5821494-10	5875908-10
Grass catcher capacity, l	65	65	65
Drive			
Speed, km/h	4.1	2.8-5	2.8-5

Declaration of Conformity

EU Declaration of Conformity

We, **Husqvarna AB**, SE-561 82 Huskvarna, Sweden, tel: +46-36-146500, declare on our sole responsibility that the product:

Description	Lawn Mower
Brand	Husqvarna
Type / Model	LC 551SP, LC 551VBP, LC 551VQ
Identification	Serial numbers dating from 2022 and onwards

complies fully with the following EU directives and regulations:

Regulation	Description
2006/42/EC	"relating to machinery"
2014/30/EU	"relating to electromagnetic compatibility"
2000/14/EC	"relating to the noise emissions in the environment"
2011/65/EU	"on the restriction of the use of certain hazardous substances in electrical and electronic equipment"

and that the following standards and/or technical specifications are applied: EN ISO 5395-1:2013/A1:2018, EN ISO 5395-2:2013/A1:2016/A2:2017, EN ISO 14982:2009, EN IEC 63000:2018

Notified Body: 0404, RISE SMP Svensk Maskinprovning AB, Box 4053, SE-904 03 Umeå, Sweden has certified conformity with the council's directive 2000/14/EC, conformity assessment procedure: Annex VI.

For information relating to noise emissions, refer to *Technical data on page 17*.

Huskvarna, 2022-09-29



Claes Losdal, Development Manager/Garden Products
Husqvarna AB

Responsible for technical documentation



UK Declaration of Conformity

We, **Husqvarna AB**, SE-561 82 Huskvarna, Sweden, tel: +46-36-146500, declare on our sole responsibility that the product:

Description	Lawn Mower
Brand	Husqvarna
Type / Model	LC 551SP, LC 551VBP, LC 551VQ
Identification	Serial numbers dating from 2022 and onwards

complies fully with the following UK regulations:

Description
The Restriction of the Use of Certain Hazardous Substances in Electrical and Electronic Equipment Regulations 2012
The Supply of Machinery (Safety) Regulations 2008
The Noise Emission in the Environment by Equipment for use Outdoors Regulations 2001, schedule 9
Electromagnetic Compatibility Regulations 2016

and that the following standards and/or technical specifications are applied: EN ISO 5395-1:2013/A1:2018, EN ISO 5395-2:2013/A1:2016/A2:2017, EN ISO 14982:2009, EN IEC 63000:2018

Notified Body: 0404, RISE SMP Svensk Maskinprovning AB, Box 4053, SE-904 03 Umeå, Sweden has certified conformity with the council's directive 2000/14/EC, conformity assessment procedure: Annex VI.

For information relating to noise emissions, refer to *Technical data on page 17*.

Huskvarna, 2022-09-29



Claes Losdal, Development Manager/Garden Products
Husqvarna AB

Responsible for technical documentation

**UK
CA**

UK Importer:
Husqvarna UK Ltd
Preston Road, Co. Durham
DL5 6UP

Съдържание

Въведение.....	22	Поддръжка.....	30
Безопасност.....	23	Транспортиране, съхранение и изхвърляне.....	33
Монтаж.....	27	Технически характеристики.....	33
Операция.....	28	Декларация за съответствие.....	36

Въведение

Описание на продукта

Продуктът е пешеходна ротационна косачка. Тревата се събира в кош за трева. Свалете коша за трева, за да се получи задно разтоварване на тревата. Поставете комплект за мулчиране (допълнителна принадлежност), за да нарежете тревата в тора.

Общ преглед на продукта

(Фиг. 1)

1. Ръчка за спирачката на двигателя
2. Ръкохватка/управление
3. Управление на оборотите
4. Дръжка за задвижване
5. Ръкохватка на въжето на стартера
6. Кош за трева
7. Регулиране на височината на ръкохватката
8. Управление на височината на рязане

Общ преглед на продукта

(Фиг. 2)

1. Ръкохватка/управление
2. Управление на спирачката на ножа (LC 551VBP)
3. Управление на оборотите/регулатор на дроселната клапа (LC 551VBP)
4. Дръжка за задвижване (LC 551VBP)
5. Блокировка на стартирането (LC 551VBP)
6. Ръкохватка на въжето на стартера
7. Кош за трева
8. Регулиране на височината на ръкохватката
9. Управление на височината на рязане
10. Мерителна пръчка/резервоар за масло
11. Капак на режещите части
12. Ауслух
13. Запалителна свещ
14. Въздушен филтър
15. Резервоар за гориво
16. Заден капак
17. Ръкохватка за спирачката на двигателя (LC 551SP)
18. Регулатор на дроселната клапа (LC 551SP)
19. Дръжка за задвижване (LC 551SP)
20. Ръководство за оператора

Предназначение

Използвайте продукта за косене на трева. Не използвайте продукта за други задачи.

9. Мерителна пръчка/резервоар за масло
10. Капак на режещите части
11. Ауслух
12. Запалителна свещ
13. Въздушен филтър
14. Резервоар за гориво
15. Заден капак
16. Ръководство за оператора

Символи върху продукта

- (Фиг. 3) Непредпазливото или неправилното използване може да доведе до нараняване или смърт на оператора или страничните наблюдатели.
- (Фиг. 4) Прочетете внимателно ръководството за оператора и се уверете, че разбирате инструкциите, преди да използвате машината.
- (Фиг. 5) Дръжте хората и животните на безопасно разстояние от работната площ.
- (Фиг. 6) Спрете двигателя и отстранете запалителния кабел преди ремонти или техническо обслужване.
- (Фиг. 7) Масло
- (Фиг. 8) Бързо
- (Фиг. 9) Бавно

- | | | | |
|-----------|--|-----------|---|
| (Фиг. 10) | Спиране на двигателя | (Фиг. 21) | Риск от експлозия. |
| (Фиг. 11) | Дросел | (Фиг. 22) | Гореща повърхност |
| (Фиг. 12) | Съединител на ножа | (Фиг. 23) | Двигателят се доставя без масло. |
| (Фиг. 13) | Пазете се от отскачащи предмети и рикошети. | (Фиг. 24) | Заредете с масло, преди да използвате продукта. |
| (Фиг. 14) | Дръжте ръцете и краката си далеч от въртящия се нож. | (Фиг. 25) | Не използвайте гориво Е85. |
| (Фиг. 15) | Дръжте ръцете и краката си далеч от въртящите се части. | (Фиг. 26) | Дръжте продукта далеч от открит огън. |
| (Фиг. 16) | Този продукт отговаря на изискванията на приложимите директиви на ЕС. | (Фиг. 27) | Код с възможност за сканиране. |
| (Фиг. 17) | Този продукт съответства на приложимите регламенти на Обединеното кралство. | | |
| (Фиг. 18) | Етикет за шумовите емисии за околната среда съгласно директивите и регламентите на ЕС и Обединеното кралство и законодателството на Нов Южен Уелс "Регламент 2017 относно защитата от дейности, оказващи влияние на околната среда (контрол на шума)". Гарантираното ниво на звуковата мощност на продукта е посочено в <i>Технически характеристики на страница 33</i> и на етикета | | |
| (Фиг. 19) | Отработените газове от двигателя съдържат въглероден окис – много опасен отровен газ без миризма. Не работете с продукта на закрито или в затворени пространства. | | |
| (Фиг. 20) | Не работете с продукта на закрито или в затворени пространства. | | |

Забележка: Останалите символи/стикери върху продукта се отнасят до специфичните за пазара законови изисквания.

Емисии Euro V



ПРЕДУПРЕЖДЕНИЕ: Намесата в двигателя прави невалидно ЕС одобрението на тип на този продукт.

Отговорност за продукта

Както е посочено в законите за отговорност за вреди, причинени от стоки, ние не носим отговорност за щети, причинени от нашия продукт, ако:

- продуктът е неправилно ремонтиран.
- продуктът е ремонтиран с части, които не са от производителя или не са одобрени от производителя.
- продуктът има принадлежност, която не е от производителя или не е одобрена от производителя.
- продуктът не е ремонтиран в одобрен сервизен център или от одобрен орган.

Безопасност

Дефиниции за безопасност

Предупреждения, знаци за внимание и бележки се използват за указване на особено важни части на инструкцията.



ПРЕДУПРЕЖДЕНИЕ: Използва се, ако има опасност от нараняване или смърт за оператора или за околните, ако не се спазват инструкциите в ръководството.



ВНИМАНИЕ: Използва се, ако има опасност от повреждане на машината, други материали или съседната зона, ако не се спазват инструкциите в ръководството.

Забележка: Използва се за предоставяне на повече информация, която е необходима в дадена ситуация.

Общи инструкции за безопасност



ПРЕДУПРЕЖДЕНИЕ: Прочетете следващите предупредителни указания, преди да използвате машината.

- Този продукт е опасен, ако се използва неправилно или ако не сте внимателни. Неспазването на инструкциите за безопасност може да доведе до нараняване или смърт.
- Тази машина създава електромагнитно поле по време на работа. При някои условия това поле може да интерферира с активни или пасивни медицински имплантанти. За да намалите риска от тежко или смъртоносно нараняване, ние препоръчваме лицата с медицински импланти да говорят с лекаря си и производителя на медицинския имплант, преди да започнат да работят с тази машина.
- Винаги бъдете внимателни и подхождайте разумно. Ако не сте сигурни как да работите с продукта при специална ситуация, спрете и се обърнете към Вашия дилър на Husqvarna, преди да продължите.
- Имайте предвид, че операторът носи отговорност за нещастни случаи, включващи други хора или тяхното имущество.
- Поддържайте продукта чист. Уверете се, че разчитате ясно знаците и стикерите.
- Не позволявайте на когото и да е да работи с продукта, докато не се уверите, че е прочел и разбрал съдържанието на инструкцията за експлоатация.
- Не позволявайте на деца да работят с продукта.
- Дръжте децата далеч от работната зона. През цялото време трябва да присъства отговорен възрастен.
- Не позволявайте на лица, които не са запознати с инструкциите, да работят с продукта.
- Винаги наблюдавайте лица с намален физически или умствен капацитет, които използват продукта. През цялото време трябва да присъства отговорен възрастен.
- Не използвайте продукта, ако сте уморени, болни или под въздействието на алкохол, наркотици или лекарства. Това състояние оказва отрицателно въздействие върху Вашето зрение, бдителност, координация и преценка.
- Не използвайте продукта, ако е неизправен.
- Не променяйте този продукт или не го използвайте, ако има вероятност той да е бил променен от друг.
- Не променяйте регулировката за управление на оборотите на двигателя.

Безопасност на работната област



ПРЕДУПРЕЖДЕНИЕ: Прочетете следващите предупредителни указания, преди да използвате машината.

- Отстранете препятствия като клони, пръчки и камъни от работната зона, преди да използвате продукта.
- Обектите, които се удрят в режещото оборудване, могат да бъдат изхвърлени и да причинят нараняване на лицата и щети на предметите. Дръжте страничните наблюдатели и животните на безопасно разстояние от продукта.
- Никога не използвайте продукта в лошо време – например при мъгла, дъжд, силни ветрове, много силен студ и риск от мъгливи. Използването на продукта в лошо време или върху влажни или мокри терени е изморително. Лошото време може да създаде опасни условия, като например хлъзгави повърхности.
- Внимавайте за лица, предмети и ситуации, които могат да са причина за намаляване на безопасната работа на продукта.
- Внимавайте за препятствия като корени, камъни, ями и канавки. Дългата трева може да крие препятствия.
- Косенето на трева на склон може да бъде опасно. Не работете с продукта, когато наклонът на повърхността е повече от 15°.
- Използвайте продукта напречно на склона. Не се движете нагоре и надолу.
- Внимавайте, когато преминавате покрай закриват ъгли и предмети, които скриват зрителното Ви поле.

Безопасност при работа



ПРЕДУПРЕЖДЕНИЕ: Прочетете следващите предупредителни указания, преди да използвате машината.

- Използвайте този продукт само за косене на морави. Не се допуска използването му за други цели.
- Използвайте лични предпазни средства. Вижте *Лични предпазни средства на страница 25*.
- Уверете се, че знаете как бързо да спрете двигателя при аварийна ситуация.
- Никога не стартирайте двигателя в затворено пространство или близо до запалими материали. Отработените газове от двигателя са горещи и могат да съдържат искри, които да предизвикат пожар.
- Не работете с продукта, докато ножът и всички капаци не се монтират правилно. Неправилно монтираният нож може да се разхлаби и да причини телесна повреда.

- Уверете се, че ножът няма да се удря в обекти, като например камъни и корени. Това може да доведе до повреда на ножа и до огъване на дусекционния вал на двигателя. Огънатата ос предизвиква силни вибрации и има много голяма опасност ножът да се разхлаби.
- Ако ножът се удари в някакъв обект или се получат вибрации, спрете веднага продукта. Изключете запалителния кабел от запалителната свещ. Проверете продукта за повреди. Ремонтирайте повредите или потърсете оторизиран сервиз за това.
- Никога не прикрепяйте ръчката на спирачката на двигателя за постоянно върху дръжката, когато двигателят е стартиран.
- Поставете продукта върху стабилна, равна повърхност и го стартирайте. Уверете се, че ножът не се допира в земята или в други предмети.
- Винаги стойте зад продукта, когато го използвате.
- Всички колела трябва да бъдат на земята и да държите дръжката с 2 ръце, когато работите с продукта. Дръжете ръцете и краката си далеч от въртящите се остриета.
- Не наклоняйте продукта при стартиран двигател.
- Бъдете внимателни, когато дърпате продукта назад.
- Никога не повдигайте продукта при стартиран двигател. Ако се налага да вдигнете продукта, първо спрете двигателя и изключете запалителния кабел от запалителната свещ.
- Не се движете назад при работа с продукта.
- Спрете двигателя, когато преминавате през области без трева, например пътеки от чакъл, камък или асфалт.
- Не тичайте с продукта, когато двигателят работи. Винаги ходете, когато работите с продукта.
- Спрете двигателя, преди да промените височината на рязане. Никога не регулирайте при стартиран двигател.
- Никога не оставяйте продукта без надзор, когато двигателят работи. Спрете двигателя и се уверете, че режещото оборудване не се върти.
- Използвайте антифони, ако нивото на шума е високо от 85 dB.
- Носете бутуши или обувки, устойчиви на хлъзгане. Не носете отворени обувки и не ходете боси.
- Използвайте дълги панталони от здрав плат.
- Когато е необходимо, носете защитни ръкавици, например, когато закрепвате, проверявате или почиствате режещото оборудване.

Устройства за безопасност на продукта



ПРЕДУПРЕЖДЕНИЕ: Прочетете следващите предупредителни инструкции, преди да използвате продукта.

- Не използвайте продукт с устройства за безопасност, които са повредени или не работят правилно.
- Извършвайте редовно проверка на устройствата за безопасност. Ако устройствата за безопасност са повредени или не работят правилно, говорете с Вашия сервиз на Husqvarna.
- Не правете модификации по устройствата за безопасност.

За проверка на капака срещу порязване

Капакът срещу порязване намалява вибрациите в продукта и опасността от нараняване, причинени от острието.

- Проверете капака срещу порязване, за да се уверите, че няма повреди, като например пукнатини.

За извършване на проверка на ръкохватката за спирачката на двигателя (LC 551SP, LC 551VQ)

Ръкохватката за спирачката на двигателя спира двигателя. Когато ръкохватката за спирачката на двигателя бъде освободена, двигателят спира.

- Стартирайте двигателя и след това освободете ръкохватката за спирачката на двигателя. Ако двигателят не спре след 3 секунди, позволете на одобрен сервиз на Husqvarna да регулира спирачката на двигателя. (Фиг. 28)

За извършване на проверка на управлението на спирачката на ножа и блокировката на стартирането (LC 551VBP)

Управлението на спирачката на ножа спира само ножа, не и двигателя. Когато управлението на спирачката на ножа бъде освободено, ножът спира.

1. Стартирайте двигателя.
2. Натиснете управлението на спирачката на ножа по посока на управлението. Блокировката на стартирането спира движението.

Инструкции за безопасност за работа

Лични предпазни средства



ПРЕДУПРЕЖДЕНИЕ: Прочетете следващите предупредителни указания, преди да използвате машината.

- Личните предпазни средства не изключват изцяло риска от нараняване, но намаляват степента на нараняването при злополука. Нека вашият дилър Ви помогне да изберете подходящото оборудване.

3. Натиснете блокировката на стартирането навън.
4. Натиснете управлението на спирачката на ножа по посока на управлението. Ножът започва да се върти.
5. Освободете управлението на спирачката на ножа. Ако ножът не спре след 3 секунди, позволете на одобрен сервиз на Husqvarna да регулира спирачката на ножа. (Фиг. 29)
6. Уверете се, че блокировката на стартирането се връща в първоначалното си положение.

Ауспух

Ауспухът е предназначен за максимално намаляване на нивата на шума и за отвеждане на отработените газове настрана от потребителя.

Не използвайте машината, ако ауспухът липсва или е дефектен. Дефектен ауспух увеличава нивото на шума и риска от злополука.



ПРЕДУПРЕЖДЕНИЕ: Ауспухът се нагрява много по време и след работа и също при обороти на празен ход. Бъдете внимателни близо до запалими материали и/или газове, за да предотвратите възникването на пожар.

За проверка на ауспуха

- Проверявайте ауспуха редовно, за да сте сигурни, че е закрепен правилно и не е повреден.

Безопасност при работа с гориво



ПРЕДУПРЕЖДЕНИЕ: Прочетете следващите предупредителни указания, преди да използвате машината.

- Не включвайте продукта, ако върху него има гориво или моторно масло. Отстранете нежеланото гориво/масло и оставете продукта да изсъхне.
- Ако разлеете гориво по дрехите си, сменете ги незабавно.
- Внимавайте да не попадне гориво върху тялото Ви, това може да доведе до телесни увреждания. Ако гориво попадне върху тялото Ви, използвайте сапун и вода, за да го отстраните.
- Не стартирайте продукта, ако от двигателя има теч. Проверявайте редовно двигателя за течове.
- Внимавайте с горивото. Горивото е запалимо, изпаренията са взривоопасни и могат да причинят телесни увреждания или смърт.
- Не вдишвайте горивните изпарения, това може да доведе до телесни увреждания. Уверете се, че има достатъчен въздушен поток.
- Не пушете близо до горивото или двигателя.

- Не поставяйте топли предмети близо до горивото или двигателя.
- Не добавяйте гориво, когато двигателят работи.
- Уверете се, че двигателят е изстинал преди зареждане с гориво.
- Преди зареждане с гориво отворете бавно капачката на резервоара за гориво и освободете внимателно налягането.
- Не добавяйте гориво към двигателя на закрито. Недостатъчният въздушен поток може да доведе до нараняване или смърт поради задушаване или въглероден окис.
- Затегнете капачката на резервоара за гориво докрай. Ако капачката на резервоара за гориво не е затегната, има риск от злополука.
- Преди да включите двигателя, преместете продукта най-малко на 3 m/10 ft от мястото, където сте заредили резервоара.
- Не зареждайте резервоара за гориво догоре. Топлината причинява увеличаване на обема на горивото. Оставете място в горната част на резервоара за гориво.

Инструкции за безопасност при техническо обслужване



ПРЕДУПРЕЖДЕНИЕ: Прочетете следващите предупредителни указания, преди да използвате машината.

- Отработените газове от двигателя съдържат въглероден окис – много опасен, отровен газ без миризма. Не стартирайте двигателя на закрито или в затворени пространства.
- Преди техническо обслужване на продукта спрете двигателя и изключете запалителния кабел от запалителната свещ.
- Носете защитни ръкавици, когато ще изпълнявате дейности, свързани с техническото обслужване на режещото оборудване. Ножът е много остър и можете лесно да се порежете.
- Аксесоари и промени на продукта, които не са одобрени от производителя, могат да доведат до сериозно нараняване или смърт. Не правете промени по продукта. Винаги използвайте само аксесоари, които са одобрени от производителя.
- Ако техническото обслужване не е изпълнявано правилно и редовно, рискът от нараняване и повреда на продукта се увеличава.
- Изпълнявайте техническото обслужване само както е посочено в това ръководство на собственика. Всички останали сервизни дейности трябва да се извършват от одобрен Husqvarna сервиз.
- Позволете одобрен Husqvarna сервиз редовно да обслужва продукта.
- Заменете повредени, износени или счупени части.

Въведение



ПРЕДУПРЕЖДЕНИЕ: Преди сглобяване на продукта трябва да прочетете и разберете главата за безопасност.



ПРЕДУПРЕЖДЕНИЕ: Отстранете кабела на запалителната свещ от запалителната свещ, преди да сглобите продукта.

За монтиране на ръкохватката

1. Разхлабете долните фиксатори от лявата и от дясната страна на продукта. Уверете се, че пластмасовата шайба е в отвора в планката на ръкохватката. (Фиг. 30)
2. Монтирайте ръкохватката, сгъната напред, както е показано на илюстрацията. (Фиг. 31)
 - a) Уверете се, че пластмасовата шайба е между ръкохватката и планката на ръкохватката.
 - b) Закрепете ръкохватката към планката на ръкохватката.
3. Повдигнете ръкохватката нагоре. (Фиг. 32)
4. Затегнете напълно фиксаторите. За регулиране на височината на ръкохватката направете справка с *За регулиране на височината на ръкохватката на страница 27*.
5. Поставете проводниците в планките за кабели. Уверете се, че проводниците не са усукани. Закрепете планките за кабели към ръкохватката. (Фиг. 33)
6. Използвайте кабелна връзка, за да закрепите кабелите към планката на ръкохватката. (Фиг. 34)

За регулиране на височината на ръкохватката

1. Разхлабете долните копчета.
2. Преместете фиксаторите към долния край на каналите от лявата и дясната страна на продукта. (Фиг. 35)
3. Задайте височината на ръкохватката в 1 от 2-те възможни положения.
4. Преместете фиксаторите по посока на ръкохватката, докато спрат и се чуе щракване. (Фиг. 36)
5. Затегнете напълно фиксаторите.

За задаване на продукта в положение за транспортиране

1. Извадете коша за трева.
2. Разхлабете долните копчета.
3. Преместете фиксаторите към долния край на каналите от лявата и дясната страна на продукта. (Фиг. 35)
4. Сгънете ръкохватката напред. (Фиг. 37)

Задаване на продукта в положение за работа

1. Повдигнете ръкохватката. (Фиг. 32)
2. Преместете фиксаторите по посока на ръкохватката, докато спрат и се чуе щракване. (Фиг. 36)
3. Затегнете напълно фиксаторите.

За сглобяване на коша за трева

1. Прикрепете рамката на коша за трева към торбата за събиране на трева, като твърдата част на торбата трябва да е отдолу. Дръжте ръкохватката на рамката от горната страна на торбата за трева. (Фиг. 38)
2. Прикрепете долната част на рамката на коша за трева към долната страна на коша за трева. (Фиг. 39)
 - a) Натиснете рамката на коша за трева в канала. Започнете от дясната страна, както е показано на илюстрацията, и се движете постепенно наляво.
3. Ако не успявате лесно да закрепите рамката на коша за трева, ударете леко рамката на коша за трева с гумено чукче. Ударете рамката на коша за трева между подсилените части. (Фиг. 40)
4. Прикрепете торбата за трева към рамката на коша за трева с фиксаторите. (Фиг. 41)
5. Вдигнете задния капак.
6. Прикрепете коша за трева към горния ръб на шасито.
7. Поставете долната част на коша за трева в канала за разтоварване на тревата. (Фиг. 42)

За монтиране на приставката за мулчиране (аксесоар)

1. Повдигнете задния капак и извадете коша за трева.
2. Поставете приставката за мулчиране в канала за разтоварване на тревата. (Фиг. 43)

3. Заменете ножа с ножа за мулчиране, доставен с комплекта за мулчиране. Вижте *За смяна на ножа на страница 31*.

За да режете трева без монтирани кош за трева или приставка за мулчиране

- Повдигнете задния капак и извадете коша за трева.

- Ако има монтирани приставка за мулчиране и острие за мулчиране, извадете ги.
- Затворете задния капак преди работа с продукта.

Когато работите с продукта, изрязаната трева се извежда под задния капак.

Операция

Въведение



ПРЕДУПРЕЖДЕНИЕ: Преди работа с продукта трябва да прочетете и разберете главата за безопасност.

Husqvarna Connect

Husqvarna Connect е безплатно приложение за Вашето мобилно устройство. Приложението Husqvarna Connect осигурява разширени функции за Вашия продукт на Husqvarna:

- Разширена продуктова информация.
- Информация и помощ за частите на продукта и сервисното обслужване.

За да започнете да използвате Husqvarna Connect

1. Изтеглете приложението Husqvarna Connect на Вашето мобилно устройство.
2. Регистрирайте се в приложението Husqvarna Connect.
3. Изпълнете стъпките с инструкции в приложението Husqvarna Connect, за да свържете и регистрирате продукта.

Преди да започнете работа с продукта

1. Прочетете внимателно ръководството за оператора и се уверете, че разбирате инструкциите.
2. Проверете режещото оборудване, за да се уверите, че то е правилно монтирано и регулирано. Вижте *За проверка на режещото оборудване на страница 31*.
3. Напълнете резервоара за гориво. Вижте *За наливане на гориво на страница 28*.
4. Напълнете резервоара за масло и проверете нивото на маслото. Вижте *За извършване на проверка на нивото на маслото на страница 31*.

За наливане на гориво

Ако има наличен, използвайте нискоемисионен/алкалитен бензин. Ако няма наличен нискоемисионен/алкалитен бензин, използвайте висококачествен безоловен бензин или оловен бензин с октаново число не по-малко от 90.



ВНИМАНИЕ: Не използвайте бензин с октаново число по-малко от 90 RON (87 AKI). Това може да повреди продукта.

1. Отворете бавно капачката на резервоара за гориво, за да освободите налягането.
2. Заредете бавно резервоара от туба с гориво. Ако разлеете гориво, поийте го с кърпа и оставете горивото, което остане да изсъхне. (Фиг. 44)
3. Почистете областта около капачката на резервоара за гориво.
4. Затегнете капачката на резервоара за гориво докрай. Ако капачката на резервоара за гориво не е затегната, има риск от злополука.
5. Преди да включите двигателя, преместете продукта най-малко на 3 m (10 ft) от мястото, където сте заредили резервоара.

За да зададете височината на косене

Височината на рязане може да бъде регулирана в 6 нива.

1. Натиснете управлението на височината на рязане в посоката на колелото и след това назад, за да увеличите височината на рязане.
2. Натиснете управлението на височината на рязане в посоката на колелото и след това напред, за да намалите височината на рязане. (Фиг. 45)



ВНИМАНИЕ: Не настройвайте твърде ниска височина на рязане. Ножовете могат да се ударят в земята, ако повърхността на моравата не е равна.

За стартиране на продукта (LC 551VQ)

1. Уверете се, че запалителният кабел е свързан към запалителната свещ.
2. Останете зад продукта.
3. Задръжте ръчката на спирачката на двигателя до управлението. (Фиг. 46)
4. Дръжте дръжката на стартерното въже с дясната си ръка.
5. Бавно издърпайте стартерното въже, докато почувствате някакво съпротивление.
6. Издърпайте силно шнура, докато двигателят запали.

За стартиране на продукта (LC 551SP, LC 551VBP)

1. Уверете се, че запалителният кабел е свързан към запалителната свещ.
2. Останете зад продукта.
3. Регулирайте регулатора на дроселната клапа.
 - a) Ако двигателят е студен, поставете регулатора на дроселната клапа в положение "задействан смукач". (Фиг. 47)
 - b) Ако двигателят е топъл, не поставяйте регулатора на дроселната клапа в положение "задействан смукач".
4. При модел LC 551SP, задръжте ръчката на спирачката на двигателя до ръкохватката. (Фиг. 46)
5. Дръжте дръжката на стартерното въже с дясната си ръка.
6. Бавно издърпайте стартерното въже, докато почувствате някакво съпротивление.
7. Издърпайте силно шнура, докато двигателят запали.
8. Задайте регулатора на дроселната клапа на пълна газ.
9. При модел LC 551VBP:
 - a) Освободете блокировката на пускането.
 - b) Натиснете управлението на спирачката на резаца по посока на ръкохватката, за да стартирате ножа.

За използването на задвижването на колелата

- Дръпнете дръжката за задвижване по посока на управлението. (Фиг. 48)

- За модел LC 551VQ и модел LC 551VBP: Регулирайте оборотите на задвижването с управлението на оборотите от лявата страна на ръкохватката. Преместете управлението на оборотите напред за увеличаване на оборотите и назад за намаляване. (Фиг. 49)
- Преди да дръпнете продукта назад, изключете задвижването и бутнете продукта напред приблизително 10 см.
- Освободете дръжката за задвижване, за да изключите задвижването, например, когато приближите препятствие.

За спиране на продукта (LC 551SP, LC 551VQ)

- За да спрете само задвижването, освободете дръжката за задвижване.
- За да спрете двигателя, освободете ръчката за спирачката на двигателя.

За спиране на продукта (LC 551VBP)

- За да спрете само задвижването, освободете дръжката за задвижване.
- За да спрете двигателя, преместете регулатора на дроселната клапа в положение "стоп".

За получаване на добър резултат

- Винаги използвайте остър нож. Косенето със затъпен нож е неравномерно и окосената повърхност пожълтява. При работа с остър нож също така се използва по-малко енергия отколкото при работа със затъпен нож.
- Не отрязвайте повече от $\frac{1}{4}$ от дължината на тревата. Първо, косете със зададена висока височина на рязане. Вижте какъв е резултатът и намалете височината на рязане до подходящо ниво. Ако тревата е много висока, карайте бавно и – ако е необходимо – окосете два пъти.
- Режете всеки път в различни посоки, за да избегнете образуването на линии в моравата.
- Поддържайте капака за рязане чист. Натрупването на трева и замърсявания по вътрешната страна на капака за рязане могат да намалят резултата от рязането. Вижте *За почистване на вътрешната повърхност на капака на режещите части на страница 31.*

Поддръжка

Въведение



ПРЕДУПРЕЖДЕНИЕ: Преди да извършите техническо обслужване, трябва да прочетете и разберете главата за безопасност.

За всички работи по обслужването и поправката на продукта е необходимо специално обучение. Осигуряваме предлагане на професионални ремонти и обслужване. Ако Вашият дилър не предлага сервизно обслужване, се свържете с него, за да Ви даде информация за най-близкия сервиз.

За по-подробна информация направете справка с www.husqvarna.com.

Разписание за техническо обслужване



ВНИМАНИЕ: Уверете се, че въздушният филтър е насочен нагоре, а не към земята, когато наклоняте продукта. Опасност от повреда на двигателя.

Интервалите за техническо обслужване са изчислени в зависимост от ежедневната употреба на продукта. Интервалите се променят, ако продуктът не се използва ежедневно.

За техническо обслужване, маркирано с *, направете справка с инструкциите в *Устройства за безопасност на продукта на страница 25*.

Техническо обслужване	Ежедневно	Всяка седмица	Всеки месец
Извършване на обща проверка	X		
Проверка на нивото на маслото	X		
Почистване на продукта	X		
Преглед на режещото оборудване	X		
Преглед на капака на режещите части *	X		
Преглед на ръкохватката за спирачката на двигателя * LC 551SP, LC 551VQ	X		
Преглед на управлението на спирачката на ножа * LC 551VBP	X		
Преглед на ауслуха *		X	
Преглед на запалителната свещ		X	
Смяна на маслото (първи път след 5 ч употреба, след това на всеки 50 ч употреба и годишно)			X
Почистване или смяна на въздушния филтър			X
Преглед на горивната система			X

За извършване на обща проверка

- Уверете се, че всички гайки и винтове на продукта са затегнати правилно.

За почистване на продукта

- Почиствайте пластмасовите части с чиста и суха кърпа.
- Не използвайте вода за почистване на продукта. Водата може да навлезе в акумулаторната батерия или в двигателя и да причини късо съединение или повреда на продукта.

- Не почиствайте продукта с водоструйка под високо налягане.
- Не пръскайте вода директно върху двигателя.
- За отстраняване на листа, трева и замърсявания използвайте четка.
- Отстранете капака на съединителя, използвайте четка за отстраняване на тревата под капака на съединителя. (LC 551VBP)

За почистване на вътрешната повърхност на капака на режещите части

1. Изпразнете резервоара за гориво.
2. Поставете продукта да легне настрани с ауспуха надолу.



ВНИМАНИЕ: Ако продуктът се постави с въздушния филтър надолу, двигателят може да се повреди.

3. Промийте вътрешната повърхност на капака на режещите части с вода.

За проверка на режещото оборудване



ПРЕДУПРЕЖДЕНИЕ: За предотвратяване на случайно стартиране извадете запалителния кабел от запалителната свещ.



ПРЕДУПРЕЖДЕНИЕ: Носете защитни ръкавици, когато ще изпълнявате дейности, свързани с техническото обслужване на режещото оборудване. Ножът е много остър и можете лесно да се порежете.

1. Проверете режещото оборудване за повреди или пукнатини. Винаги заменяйте повреденото режещо оборудване.
2. Погледнете ножа, за да разберете дали не е повреден или затъпен.

Забележка: Необходимо е да балансирате ножа след заточване. Ножът се заточва, сменя и балансира от сервизен център. Ако ударите препятствие и вследствие на това продуктът спре, сменете повредения нож. Оставете специалистите в сервиза да преценят дали ножът ще трябва да се заточи, или да се смени.

За смяна на ножа

1. Фиксирайте ножа с дървено блокче. (Фиг. 50)
2. Отстранете болта на ножа.
3. Отстранете ножа.
4. Проверете опората на ножа и болта на ножа за повреда.
5. Проверете дали валът на двигателя не е огънат.
6. Когато закрепвате новия нож, насочете ъглите на ножа по посока на капака на режещите части. (Фиг. 51)
7. Уверете се, че ножът е подравнен с центъра на вала на двигателя.
8. Фиксирайте ножа с дървено блокче. (Фиг. 52)

9. Закрепете ножа.
 - a) При модел LC 551SP и LC 551VQ закрепете пружинната шайба и затегнете болта и шайбата с въртящ момент 70 Nm.
 - b) При модел LC 551VBP затегнете болтовете с въртящ момент 50 Nm. (Фиг. 53)
10. Раздвижете ножа на ръка и се уверете, че той се върти свободно.



ПРЕДУПРЕЖДЕНИЕ:

Използвайте ръкавици с висока здравина. Ножът е много остър и можете лесно да се нараните.

11. Стартирайте продукта, за да извършите тест на ножа. Ако ножът не е закрепен правилно, продуктът вибрира или резултатът от косенето е незадоволителен.

За извършване на проверка на нивото на маслото



ВНИМАНИЕ: Твърде ниското ниво на маслото може да доведе до повреда на двигателя. Извършете проверка на нивото на маслото, преди да стартирате продукта.

1. Поставете продукта на равна повърхност.
2. Отстранете капачката на резервоара за масло със закрепената мерителна пръчка.
3. Почистете маслото от мерителната пръчка.
4. Поставете мерителната пръчка изцяло в резервоара за масло. Затегнете капачката на резервоара за масло, за да сте сигурни, че ще получите правилното ниво на маслото.
5. Отстранете мерителната пръчка.
6. Проверете какво е нивото на маслото на мерителната пръчка.
7. Ако нивото на маслото е ниско, заредете моторно масло и отново извършете проверка на нивото му.

(Фиг. 54)

Забележка: Използвайте фуния, за да предотвратите разливане.

За смяна на моторното масло



ПРЕДУПРЕЖДЕНИЕ:

Моторното масло е много горещо непосредствено след спирането на двигателя. Оставете двигателя да изстине, преди да източите моторното масло. Ако разлеее моторно масло

върху кожата си, почистете със сапун и вода.

6. Извършете монтаж в обратната последователност.

(Фиг. 55)

1. Отстранете запалителния кабел от запалителната свещ.
2. Отстранете капачката на резервоара за масло.
3. Източете моторното масло.
 - a) За модели с изпускателна пробка за масло: поставете съд под изпускателната пробка за масло, в който да се събере моторното масло.
 - b) За модели без изпускателна пробка за масло или ако не е възможно да се постави съд под изпускателната пробка за масло: използвайте маслена помпа (принадлежност), за да източите моторното масло от резервоара за масло.
4. Заредете с новото моторно масло от типа, препоръчан в *Технически характеристики на страница 33*.
5. Извършете проверка на нивото на моторното масло. Направете справка с *За извършване на проверка на нивото на маслото на страница 31*.

За наливане и смяна на моторно масло

- За информация относно наливането и смяната на моторното масло, направете справка с ръководството за експлоатация за двигателя.

За почистване и смяна на въздушния филтър (LC 5551SP, LC 551VBP)

- За информация относно почистването и смяната на въздушен филтър направете справка с ръководството за оператора за двигателя.

За отстраняване и монтиране на въздушния филтър (LC 551VQ)



ПРЕДУПРЕЖДЕНИЕ:
Използвайте защитни ръкавици.

1. Натиснете щипките на капака на въздушния филтър.
2. Внимателно отстранете капака на въздушния филтър (A) от двигателя.
3. Отстранете въздушния филтър (B) и порестия филтър (C). (Фиг. 56)
4. Проверете въздушния филтър за повреди. Сменете повреден въздушен филтър.
5. Почистете и проверете въздушния филтър. Направете справка с *За почистване на въздушния филтър (LC 551VQ) на страница 32*.

За почистване на въздушния филтър (LC 551VQ)



ВНИМАНИЕ: Не включвайте двигателя без закрепен въздушен филтър или ако въздушният филтър е замърсен.



ВНИМАНИЕ: Сменете въздушния филтър, ако той не може да се почисти или ако е повреден. Дефектен въздушен филтър причинява повреда на двигателя.

1. Натиснете заключващите уши (A), отстранете капака на въздушния филтър (B) и отстранете въздушния филтър (C). (Фиг. 57)
2. Ударете въздушния филтър в твърда повърхност или продухайте сгъстен въздух през въздушния филтър от чистата страна на въздушния филтър.



ВНИМАНИЕ: Не използвайте четка, за да отстраните замърсяванията, тъй като това ще ги набие навътре във въздушния филтър.

3. Почистете държача на въздушния филтър (D) и капака на въздушния филтър с влажна кърпа.



ВНИМАНИЕ: Уверете се, че във въздуховода (E) не попада мръсотия.

4. Монтирайте въздушния филтър. Уверете се, че въздушният филтър напълно прилепва към държача на въздушния филтър.
5. Монтирайте капака на въздушния филтър, като първо поставите долните уши.

За проверка на запалителната свещ



ВНИМАНИЕ: Използвайте винаги запалителните свещи от препоръчания вид. Използването на запалителна свещ от неправилен тип може да повреди продукта.

- Проверете запалителната свещ, ако двигателят е с понижена мощност, стартира трудно или работи неправомерно при обороти на празен ход.
- За да намалите опасността от попадане на нежелани материали върху електродите на запалителната свещ, следвайте тези инструкции:
 - a) Проверете дали оборотите на празния ход са правилно регулирани.
 - b) Уверете се, че горивната смес е правилна.

- с) Уверете се, че въздушният филтър е чист.
- Ако запалителната свещ е замърсена, почистете я и проверете дали разстоянието между електродите е правилно, направете справка с *Технически характеристики на страница 33*. (Фиг. 58)
 - Сменете запалителната свещ, ако е необходимо.

За проверка на горивната система

- Проверете капачката на резервоара за гориво и уплътнението на капачката на резервоара за гориво, за да се уверите, че не са повредени.
- Проверете маркуча за горивото, за да се уверите, че не тече. Ако маркучът за горивото е повреден, той трябва да се смени от сервиз.

За да регулирате управлението на оборотите и регулатора на дроселната клапа

Управлението на оборотите регулира скоростта на задвижването. Регулаторът на дроселната клапа регулира оборотите на двигателя.



ВНИМАНИЕ: Не регулирайте управлението на оборотите, когато двигателят е включен.

1. За промяна на оборотите на задвижване, завъртете регулиращия винт (А), за да регулирате дължината на кабелната обвивка. Скъсете кабелната обвивка, за да увеличите скоростта на задвижване.
2. Ако не можете да задействате положение "задействан смучач" или положение "стоп", регулирайте оборотите на двигателя. Завъртете регулиращия винт (В). (Фиг. 59)

Транспортиране, съхранение и изхвърляне

Транспорт и съхранение

- При съхранението и транспортирането на продукта и горивото се уверете, че няма течове или изпарения. Искри или открит огън, например от електрически уреди или котли може да възникне пожар.
- Винаги използвайте одобрени контейнери за съхранение и транспортиране на гориво.
- Изпразнете резервоара за гориво, преди да приберете продукта за съхранение за дълъг период от време. Изхвърлете горивото на подходящо за целта място
- Прикрепете продукта по безопасен начин по време на транспортирането, за да се предотвратят повреди и злополуки.

- Съхранявайте продукта под ключ, за да предотвратите достъпа до него на деца или лица, които не са упълномощени да го използват.
- Съхранявайте продукта на сухо и незамръзващо място.

Изхвърляне

- Съблюдавайте местните изисквания за рециклиране и приложимите разпоредби.
- Изхвърлете всички химикали, като например двигателно масло или гориво, в сервизен център или на подходящо за целта място.
- Когато продуктът вече не се използва, изпратете го на Husqvarna дилър или го изхвърлете на място за рециклиране.

Технически характеристики

	LC 551SP	LC 551VBP	LC 551VQ
Двигател			
Марка	Kawasaki	Kawasaki	Husqvarna
Модел	FJ180V	FJ180V	HS 166AP
Тип на двигателя	Едноцилиндров, 4-тактов, принудително въздушно охлаждане, OHV	Едноцилиндров, 4-тактов, принудително въздушно охлаждане, OHV	Едноцилиндров, 4-тактов, принудително въздушно охлаждане, OHV

	LC 551SP	LC 551VBP	LC 551VQ
Работен обем, cm ³	179	179	166
Скорост, об./мин	2800	2800	2800
Номинална изходна мощност на двигателя, kW ⁶	2,9	2,9	2,7
Запалителна система			
Запалителна свещ	NGK BPR5ES	NGK BPR5ES	Husqvarna HQT-7
Разстояние между електродите, mm	0,6 – 0,8	0,6 – 0,8	0,7 – 0,8
Горивна и смазочна система			
Тип на смазването на двигателя	Налягане с маслен филтър	Налягане с маслен филтър	Разпръскване
Капацитет на резервоара за гориво, l	1,9	1,9	1,5
Вместимост на резервоара за масло, l	0,7	0,7	0,5
Моторно масло ⁷	Husqvarna SAE 30	Husqvarna SAE 30	Husqvarna SAE 30
Тегло			
С празни резервоари, kg	48,5	52,5	51,0
Шумови емисии⁸			
Ниво на звуковата мощност, измерено, измерена dB (A)	97	96	97
Ниво на звуковата мощност, гарантирано L _{WA} dB (A)	98	98	98
Нива на шума⁹			
Ниво на звуковото налягане при ухото на оператора, dB (A)	87	84	86
Нива на вибрациите¹⁰			
Ръкохватка, m/s ²	4,5	4,5	3,2
Режещо оборудване			
Височина на рязане, mm	26 – 74	26 – 74	26 – 74
Ширина на рязане, mm	510	510	510

⁶ Номиналната мощност на двигателя е средната нетна мощност (при указаните об/мин) на стандартен двигател за модела двигател, измерен спрямо SAE стандарта J1349/ISO1585. Двигателите масово производство може да се отклоняват от тази стойност. Действителната изходна мощност за двигателя, инсталиран на крайния продукт, ще зависи от работната скорост, условията на околната среда и други стойности.

⁷ Ако се използва масло SAE-30 при температура, по-ниска от +5°C, съществува риск двигателят да не бъде смазан достатъчно. Това може да причини повреда на двигателя. Направете справка с *За смяна на моторното масло на страница 31* за правилното масло за ниски температури.

⁸ Емисии на шума в околната среда, измерени като звукова мощност (L_{WA}) в съответствие с директива на ЕО 2000/14/ЕО.

⁹ Ниво на звуковото налягане съгласно EN ISO 5395. Отчетените данни за нивото на звуковото налягане имат типична статистическа дисперсия (стандартно отклонение) от 1,2 dB (A).

¹⁰ Ниво на вибрациите съгласно ISO 5395. Отчетените данни за нивото на вибрациите имат типична статистическа дисперсия (стандартно отклонение) от 0,2 m/s².

	LC 551SP	LC 551VBP	LC 551VQ
Нож	Събиране	Събиране	Събиране
Номер на артикул	5875908-10	5821494-10	5875908-10
Капацитет на коша за трева, l	65	65	65
Задвижване			
Скорост, km/h	4,1	2,8 – 5	2,8 – 5

Декларация за съответствие

Декларация за съответствие на ЕС

Ние, **Husqvarna AB**, SE-561 82 Huskvarna, Швеция,
тел.: +46-36-146500, декларираме на своя собствена
отговорност, че продуктът:

Описание	Косачка за трева
Марка	Husqvarna
Тип/модел	LC 551SP, LC 551VBP, LC 551VQ
Идентификация	Серийни номера от 2022 и нататък

отговаря напълно на следните директиви и
регламенти на ЕС:

Регламент	Описание
2006/42/EO	"относно машините"
2014/30/EC	"относно електромагнитната съвместимост"
2000/14/EO	"относно шумовите емисии в околната среда"
2011/65/EC	"по отношение на ограничението за използване на определени опасни вещества в електрическо и електронно оборудване"

и че следните стандарти и/или технически
характеристики са приложени: EN ISO 5395-1:2013/
A1:2018, EN ISO 5395-2:2013/A1:2016/A2:2017, EN
ISO 14982:2009, EN IEC 63000:2018

Нотифициран орган: 0404, RISE SMP Svensk
Maskinprovning AB, Vox 4053, SE-904 03 Umeå,
Sweden, сертифицира за съответствие с Директива
на съвета 2000/14/EO, процедура за оценка на
съответствието: приложение VI.

За информация относно шумови емисии направете
справка с *Технически характеристики на страница*
33.

Huskvarna, 2022-09-29



Claes Losdal, мениджър "Разработки и развитие/
градински продукти", Husqvarna AB

Отговорен за техническата документация



Obsah

Úvod.....	37	Údržba.....	43
Bezpečnost.....	38	Přeprava, skladování a likvidace.....	46
Montáž.....	41	Technické údaje.....	47
Provoz.....	42	Prohlášení o shodě.....	49

Úvod

Popis výrobku

Výrobek je rotační sekačka na trávu s pěší obsluhou. Koš na trávu slouží ke sběru posečené trávy. Chcete-li otevřít zadní výhoz trávy, sejměte koš na trávu. Připevňte mulčovací sadu (příslušenství), chcete-li používat posečenou trávu jako hnojivo.

Popis výrobku

(Obr. 1)

1. Páka brzdy motoru
2. Řídítka
3. Ovládání rychlosti
4. Páka pojezdu
5. Rukojeť startovací šňůry
6. Koš na trávu
7. Nastavení výšky řídítek
8. Nastavení výšky sečení

Popis výrobku

(Obr. 2)

1. Řídítka
2. Ovládání brzdy žacího nože (LC 551VBP)
3. Ovládání rychlosti / ovládání plynu (LC 551VBP)
4. Páka pojezdu (LC 551VBP)
5. Inhibitor spuštění (LC 551VBP)
6. Rukojeť startovací šňůry
7. Koš na trávu
8. Nastavení výšky řídítek
9. Nastavení výšky sečení
10. Olejová měrka / olejová nádrž
11. Kryt žacího ústrojí
12. Tlumič výfuku
13. Zapalovací svíčka
14. Vzduchový filtr
15. Palivová nádrž
16. Zadní kryt
17. Páka brzdy motoru (LC 551SP)
18. Ovládání plynu (LC 551SP)
19. Páka pojezdu (LC 551SP)
20. Návod k používání

Zamýšlené použití

Výrobek použijte k sečení trávy. K jiným činnostem výrobek nepoužívejte.

9. Olejová měrka / olejová nádrž
10. Kryt žacího ústrojí
11. Tlumič výfuku
12. Zapalovací svíčka
13. Vzduchový filtr
14. Palivová nádrž
15. Zadní kryt
16. Návod k používání

Symbyly na výrobku

- (Obr. 3) Neopatrné nebo nesprávné použití může vést ke zranění nebo usmrcení obsluhy či osob v okolí.
- (Obr. 4) Před použitím si pozorně prostudujte tento návod k používání a nepoužívejte výrobek, pokud návodu zcela nerozumíte.
- (Obr. 5) Zajistěte, aby se v pracovní oblasti a jejím okolí nezdržovaly nepovolané osoby či zvířata.
- (Obr. 6) Před prováděním oprav a údržby vypněte motor a odpojte kabel zapalování.
- (Obr. 7) Olej
- (Obr. 8) Rychle
- (Obr. 9) Pomalu
- (Obr. 10) Vypněte motor

- (Obr. 11) Sytič
- (Obr. 12) Spojka kotouče
- (Obr. 13) Pozor na odvržené a odražené předměty.
- (Obr. 14) Ruce a nohy udržujte mimo dosah rotujícího nože.
- (Obr. 15) Ruce a nohy udržujte mimo dosah rotujících částí.
- (Obr. 16) Tento výrobek vyhovuje příslušným směrnici EU.
- (Obr. 17) Tento výrobek vyhovuje platným předpisům Spojeného království.
- (Obr. 18) Štítek s emisemi hluku do okolí podle směrnic a předpisů Evropské unie a Spojeného království a nařízení o regulaci hluku v australském Novém Jižním Walesu „Protection of the Environment Operations (Noise Control) Regulation 2017“. Garantovaná hladina akustického výkonu tohoto výrobku je uvedena v části *Technické údaje na strani 47* a na štítku.
- (Obr. 19) Výfukové plyny obsahují oxid uhelnatý, jedovatý a velmi nebezpečný plyn bez zápachu. Nenechávejte výrobek spuštěný ve vnitřních nebo uzavřených prostorech.
- (Obr. 20) Nenechávejte výrobek spuštěný ve vnitřních nebo uzavřených prostorech.
- (Obr. 21) Nebezpečí výbuchu.
- (Obr. 22) Horký povrch
- (Obr. 23) Motor je dodáván bez oleje.
- (Obr. 24) Před použitím výrobku doplňte motorový olej.
- (Obr. 25) Nepoužívejte palivo E85.
- (Obr. 26) Uchovávejte výrobek v bezpečné vzdálenosti od otevřeného ohně.
- (Obr. 27) Skenovatelný kód.

Povšimněte si: Další symboly/štítky na výrobku se vztahují k zákonným požadavkům specifickým pro daný trh.

Emise Euro V



VÝSTRAHA: Manipulace s motorem vede k zneplatnění typového schválení EU tohoto výrobku.

Odpovědnost za výrobek

Jak uvádí zákon o odpovědnosti za výrobek, neneseme odpovědnost za žádnou škodu způsobenou naším výrobkem, pokud:

- byl výrobek nesprávně opraven.
- byl výrobek opraven pomocí součástí od jiného výrobce nebo součástí, které nejsou výrobcem schváleny.
- má výrobek příslušenství od jiného výrobce nebo příslušenství, které není výrobcem schváleno.
- výrobek nebyl opraven ve schváleném servisním středisku nebo schváleným odborníkem.

Bezpečnost

Definice týkající se bezpečnosti

Varování, upozornění a poznámky slouží jako upozornění na specifické důležité části návodu.



VÝSTRAHA: Používá se v případě nebezpečí úrazu nebo usmrcení obsluhy nebo okolních osob, pokud nejsou dodrženy pokyny uvedené v této příručce.



VAROVÁNÍ: Používá se v případě nebezpečí poškození výrobku, dalších materiálů či škod na majetku v blízkém okolí, pokud nejsou dodrženy pokyny uvedené v této příručce.

Povšimněte si: Používá se k poskytnutí dalších informací, které jsou nezbytné v dané situaci.

Obecné bezpečnostní pokyny



VÝSTRAHA: Před použitím výrobku si přečtěte následující varování.

- Tento výrobek je nebezpečný, nepoužívá-li se správně nebo není-li věnována provozu řádná pozornost. Nedodržení bezpečnostních pokynů může vést ke zranění nebo usmrcení.
- Tento výrobek vytváří během provozu elektromagnetické pole. Toto pole může za určitých

okolností narušovat funkci aktivních či pasivních implantovaných lékařských přístrojů. Za účelem snížení rizika možného zranění nebo smrtelného úrazu doporučujeme osobám s implantovanými lékařskými přístroji poradit se před použitím výrobku s lékařem a s výrobcem implantovaného lékařského přístroje.

- Budte stále opatrní a používejte zdravý rozum. Nejste-li si jisti, jak ovládat výrobek ve zvláštních situacích, vypněte jej a promluvte si s prodejcem Husqvarna, než budete pokračovat v práci.
- Mějte na paměti, že obsluha je odpovědná za nehody a škody vzniklé jiným osobám nebo na jejich majetku.
- Udržujte výrobek čistý. Ujistěte se, že jsou značky a štítky dobře čitelné.
- Nedovolte osobám používat výrobek, nejste-li si jisti, že si přečetly návod k používání a porozuměly jeho obsahu.
- Zamezte používání výrobku dětni.
- Udržujte děti mimo pracovní oblast. Vždy musí být přítomna zodpovědná dospělá osoba.
- Zamezte používání výrobku osobami, které naznačí pokyny.
- Vždy sledujte osoby s fyzickým nebo mentálním postižením při práci s výrobkem. Vždy musí být přítomna zodpovědná dospělá osoba.
- Nepoužívejte výrobek, jste-li unavení, nemocní nebo pod vlivem alkoholu, drog nebo léků. To by mohlo ovlivnit váš zrak, ostrážitost, koordinaci a úsudek.
- Nepoužívejte výrobek, pokud je vadný.
- Nikdy neupravujte výrobek a nepoužívejte jej, pokud je možné, že jej upravil někdo jiný.
- Neměňte nastavení regulace otáček motoru.

Bezpečnost pracovního prostoru



VÝSTRAHA: Před použitím výrobku si přečtěte následující varování.

- Před použitím výrobku, odklíďte z pracovní oblasti předměty, jako jsou větve, větvičky a kameny.
- Předměty, které mohou být zachyceny žacím ústrojím mohou být odmrštěny a způsobit zranění osob a poškození předmětů. Udržujte osoby v okolí a zvířata v bezpečné vzdálenosti od výrobku.
- Nikdy nepoužívejte výrobek za špatného počasí, jako je mlha, déšť, silný vítr, intenzivní chlad a nebezpečí blesku. Použití výrobku za špatného počasí nebo ve vlhkých či mokrych podmínkách je namáhavé. Nepříznivé počasí může vytvořit nebezpečné podmínky, např. kluzký povrch.
- Dávejte pozor na osoby, předměty a situace, které mohou bránit bezpečnému provozu výrobku.
- Dávejte pozor na překážky, jako jsou kořeny, kameny, větve, díry a příkopy. Vysoká tráva může překážky skrýt.

- Sečení trávy na svazích může být nebezpečné. Nepoužívejte výrobek na svahu se sklonem větším než 15°.
- S výrobkem jezdíte po vrstevnicích. Nepohybujte se na svahu nahoru a dolů.
- Postupujte opatrně v blízkosti skrytých rohů a objektů, které mohou bránit ve výhledu.

Bezpečnost práce



VÝSTRAHA: Před použitím výrobku si přečtěte následující varování.

- Tento výrobek používejte výhradně k sečení trávy. Není dovoleno používat výrobek k jiným činnostem.
- Používejte osobní ochranné prostředky. Další informace naleznete v části *Osobní ochranné prostředky na straně 40*.
- Ujistěte se, že víte, jak v případě nouze rychle zastavit motor.
- Nikdy nestartujte motor v uzavřených prostorech nebo v blízkosti hořlavého materiálu. Výfukové plyny z motoru jsou horké a mohou obsahovat jiskry, které by mohly zažehnout požár.
- Neprovozujte výrobek, pokud není správně namontovaný nůž a všechny kryty. V opačném případě by se mohl nůž uvolnit a způsobit zranění osob.
- Zajistěte, aby nůž nenarazil do předmětů, jako jsou kameny a kořeny. Mohlo by dojít k poškození nože a ohnutí hřídele motoru. Ohnutý hřídel způsobuje velké vibrace a hrozí velmi vysoké riziko uvolnění nože.
- Pokud nůž narazí do nějakého předmětu nebo se objeví vibrace, okamžitě zastavte výrobek. Odpojte kabel zapalování od zapalovací svíčky. Zkontrolujte, zda není výrobek poškozený. Opravte poškozené díly nebo svěťte opravu schválenému servisnímu pracovníkovi.
- Po nastartování motoru nikdy nepřipevňujte páku brzdy motoru trvale k rukojeti sekačky.
- Umístěte výrobek na stabilní, rovný povrch a nastartujte jej. Zkontrolujte, zda není nemůže přijít do kontaktu se zemí nebo cizími objekty.
- Při provozu vždy stůjte za výrobkem.
- Při provozu nechte všechna kola spočívat na zemi a držte rukojeť oběma rukama. Ruce a nohy udržujte mimo dosah rotujících nožů.
- Nenakláňejte výrobek, když je spuštěný motor.
- Dávejte pozor při tažení výrobku dozadu.
- Nikdy nezvedejte výrobek, když je spuštěný motor. Pokud musíte výrobek zvednout, nejprve vypněte motor a odpojte kabel zapalování od zapalovací svíčky.
- Při provozování výrobku nechoďte směrem dozadu.
- Před přejezdem ploch bez trávy, jako jsou cesty vytvořené ze štěrku, kamenů nebo asfaltu, vypněte motor.

- Neběhejte s výrobkem, když je spuštěný motor. Při provozu výrobku vždy pouze chodte.
- Před změnou výšky sečení vypněte motor. Nikdy neprovádějte seřizování při spuštěném motoru.
- Nikdy nenechte výrobek se spuštěným motorem bez dozoru. Vypněte motor a ujistěte se, že se žací ústrojí neotáčí.

Kontrola ovládání brzdy žacího nože a inhibitoru spuštění (LC 551VBP)

Ovládání brzdy žacího nože zastaví pouze nůž, nikoli motor. Když uvolníte ovládání brzdy žacího nože, nůž se zastaví.

1. Nastartujte motor.
2. Zatlačte ovládání brzdy žacího nože směrem k řídítkům. Inhibitor spuštění zastaví pohyb.
3. Zatlačte inhibitor spuštění směrem ven.
4. Zatlačte ovládání brzdy žacího nože směrem k řídítkům. Nůž se začne otáčet.
5. Uvolněte ovládání brzdy žacího nože. Pokud se nůž do 3 sekund nezastaví, požádejte schválený servis Husqvarna o seřízení brzdy žacího nože. (Obr. 29)
6. Ujistěte se, že inhibitor spuštění se vrátí do původní polohy.

Tlumič výfuku

Tlumič výfuku je určen k omezení úrovně hluku na minimum a k usměrnění výfukových plynů směrem od obsluhy.

Nepoužívejte výrobek bez tlumiče výfuku nebo pokud je vadný. Vadný tlumič výfuku zvyšuje hladinu hluku a nebezpečí požáru.



VÝSTRAHA: Tlumič výfuku je během provozu a po použití velmi horký, i když motor pracuje na volnoběžné otáčky. Aby se zabránilo požáru, dbejte zvýšené opatrnosti v blízkosti hořlavých materiálů a plynů.

Kontrola tlumiče výfuku

- Pravidelně kontrolujte tlumič výfuku, aby bylo zajištěno, že je řádně upevněný a že není poškozený.

Bezpečnost při manipulaci s palivem



VÝSTRAHA: Před použitím výrobku si přečtěte následující varování.

- Pokud je na výrobku palivo nebo olej, nespouštějte ho. Nechtěně palivo/olej z výrobku odstraňte a nechte výrobek uschnout.
- Pokud si palivem polijete oblečení, okamžitě se převlékněte.
- Zabraňte styku paliva s tělem, může způsobit zranění. Pokud se polijete palivem, omýjte zasažené místo vodou a mýdlem.
- Nepouštějte motor, pokud z něj něco uniká. Pravidelně kontrolujte, jestli z motoru nic neuniká.
- Při manipulaci s palivem buďte opatrní. Palivo je hořlavé a výpary jsou výbušné a mohou způsobit zranění nebo smrt.

Bezpečnostní pokyny pro provoz

Osobní ochranné prostředky



VÝSTRAHA: Před použitím výrobku si přečtěte následující varování.

- Osobní ochranné prostředky nemohou zcela eliminovat nebezpečí úrazu, ale v případě nehody pomáhají snížit míru poranění. Požádejte prodejce, aby vám pomohl vybrat správné vybavení.
- Používejte ochranu sluchu, pokud je hladina hluku vyšší než 85 dB.
- Používejte odolnou obuv s protiskluzovou podrážkou. Nepoužívejte otevřenou obuv ani nepracujte naboso.
- Používejte silné, dlouhé kalhoty.
- Při určitých činnostech používejte ochranné rukavice, například při nasazování, prohlídce nebo čištění žacího ústrojí.

Bezpečnostní zařízení na produktu



VÝSTRAHA: Před použitím výrobku si přečtěte následující varování.

- Nepoužívejte výrobek s poškozenými bezpečnostními zařízeními nebo se zařízeními, která nefungují správně.
- Pravidelně kontrolujte bezpečnostní zařízení. Pokud jsou bezpečnostní zařízení poškozená nebo nefungují správně, obraťte se na schválený servis Husqvarna.
- Neprovádějte úpravy bezpečnostních zařízení.

Kontrola krytu žacího ústrojí

Kryt žacího ústrojí snižuje vibrace výrobku a snižuje nebezpečí poranění nožem.

- Zkontrolujte kryt žacího ústrojí, aby bylo zajištěno, že nevykazuje známky poškození, např. praskliny.

Kontrola rukojeti brzdy motoru (LC 551SP, LC 551VQ)

Páka brzdy motoru slouží k zastavení motoru. Když uvolníte páku brzdy motoru, motor se zastaví.

- Nastartujte motor a poté uvolněte rukojeť brzdy motoru. Pokud se motor do 3 sekund nevypne, požádejte schválený servis Husqvarna o seřízení brzdy motoru. (Obr. 28)

- Nevdechujte palivové výpary, můžou způsobit zranění. Zajistěte dostatečný průtok vzduchu.
- V blízkosti paliva ani motoru nekuřte.
- Do blízkosti paliva ani motoru neumísťte horké předměty.
- Když je spuštěný motor, nedoplňujte palivo.
- Než začnete doplňovat palivo, přesvědčte se, že je motor studený.
- Než doplníte palivo, pomalu otevřete uzávěr palivové nádrže a opatrně uvolněte tlak.
- Palivo do motoru nedoplňujte ve vnitřních prostorech. Nedostatečné proudění vzduchu může způsobit zranění nebo smrt udušením nebo otravou kyslíčnickem uhelnatým.
- Pevně dotáhněte víčko palivové nádrže. Není-li víčko palivové nádrže dotažené, hrozí nebezpečí požáru.
- Než výrobek spustíte, přejděte s ním minimálně 3 m (10 stop) od místa, kde jste doplňovali palivo.
- Nenaplňujte palivovou nádrž na maximum. Teplem dochází k rozpinání paliva. V horní části palivové nádrže udržujte volný prostor.
- Výfukové plyny obsahují oxid uhelnatý, jedovatý a velmi nebezpečný plyn bez zápachu. Nenechávejte motor spuštěný ve vnitřních nebo uzavřených prostorech.
- Před prováděním údržby výrobku nejprve vypněte motor a odpojte kabel zapalování od zapalovací svíčky.
- Při provádění údržby žacího ústrojí použijte ochranné rukavice. Nůž je velmi ostrý a může snadno dojít k požezání.
- Příslušenství a změny výrobku, které neschválí výrobce, mohou způsobit vážné zranění nebo úmrtí. Neprovádějte změny na výrobku. Vždy používejte výhradně příslušenství schválené výrobcem.
- Při nesprávném nebo nepravdivém provádění údržby se zvyšuje nebezpečí poranění a poškození výrobku.
- Provádějte pouze údržbu uvedenou v tomto návodu k používání. Veškerý ostatní servis musí provést schválený servisní pracovník Husqvarna.
- Servis výrobku by měl provádět schválený servisní pracovník Husqvarna v pravidelných intervalech.
- Poškozené, opotřebené či prasklé součásti vyměňte.

Bezpečnostní pokyny pro údržbu



VÝSTRAHA: Před použitím výrobku si přečtěte následující varování.

Montáž

Úvod



VÝSTRAHA: Před montáží výrobku je třeba, abyste si přečetli a porozuměli kapitole o bezpečnosti.



VÝSTRAHA: Před montáží výrobku sejměte koncovku kabelu zapalovací svíčky ze zapalovací svíčky.

Montáž řídítek

1. Povolte spodní knoflíky na levé a pravé straně výrobku. Zkontrolujte, zda je plastová podložka v prohlubni v držáku řídítek. (Obr. 30)
2. Namontujte rukojeť sklopenou dopředu podle obrázku. (Obr. 31)
 - a) Zkontrolujte, zda je plastová podložka mezi řídítky a držákem řídítek.
 - b) Připevňte řídítka k držákům řídítek.
3. Zvedněte řídítka. (Obr. 32)
4. Knoflíky řádně utáhněte. Pokyny k nastavení výšky řídítek najdete v části *Nastavení výšky rukojeti na straně 41*.

5. Umístěte kabely do držáků kabelů. Zkontrolujte, zda kabely nejsou zkroucené. Připevňte držáky kabelů k řídkům. (Obr. 33)
6. Připevňte kabely k řídkům pomocí stahovacího pásku. (Obr. 34)

Nastavení výšky rukojeti

1. Povolte spodní matice.
2. Posuňte knoflíky na spodní konec drážek na pravé i na levé straně výrobku. (Obr. 35)
3. Nastavte výšku řídků do jedné ze 2 dostupných poloh.
4. Posunujte knoflíky směrem k řídkům, dokud se nezastaví a neuslyšíte cvaknutí. (Obr. 36)
5. Knoflíky řádně utáhněte.

Nastavení produktu do přepravní polohy

1. Sundejte koš na trávu.
2. Povolte spodní matice.
3. Posuňte knoflíky na spodní konec drážek na pravé i na levé straně výrobku. (Obr. 35)
4. Sklopte rukojeť dopředu. (Obr. 37)

Nastavení výrobku do provozní polohy

1. Zvedněte řídicí páčku nahoru. (Obr. 32)
2. Posunujte knoflíky směrem k řídicím páčkám, dokud se nezastaví a neuslyšíte cvaknutí. (Obr. 36)
3. Knoflíky řádně utáhněte.

Montáž koše na trávu

1. Vložte rám do koše na trávu tak, aby pevná část koše směřovala dolů. Dbejte na to, aby bylo madlo rámu na venkovní straně koše. (Obr. 38)
2. Nasadte spodní část rámu koše na trávu do spodní části koše na trávu. (Obr. 39)
 - a) Zatlačte rám koše na trávu do drážky. Začněte na pravé straně, jak je znázorněno na obrázku, a postupně se pohybujte směrem doleva.
3. Pokud nelze rám koše na trávu připevnit snadno, opatrně na rám poklepejte gumovým kladívkem. Poklepejte na rám koše na trávu mezi výztuhami. (Obr. 40)
4. Připevněte koš na trávu k rámu pomocí svorek. (Obr. 41)
5. Zvedněte zadní kryt.

6. Upevněte sběrací koš k hornímu okraji podvozku.
7. Umístěte dolní část koše na trávu do kanálu výhozu trávy. (Obr. 42)

Montáž mulčovací vložky (příslušenství)

1. Zvedněte zadní kryt a vyjměte koš na trávu.
2. Vložte do kanálu výhozu trávy mulčovací vložku. (Obr. 43)
3. Nahraďte nůž mulčovacím nožem dodaným s mulčovací sadou. Další informace naleznete v části *Postup výměny nože na straně 45*.

Sekání trávy bez koše na trávu nebo mulčovací vložky

- Zvedněte zadní kryt a vyjměte koš na trávu.
- Pokud je namontována mulčovací vložka a mulčovací nůž, odstraňte je.
- Než začnete s výrobkem pracovat, zavřete zadní kryt.

Při práci s výrobkem bude posečená tráva vylétávat pod zadním krytem.

Provoz

Úvod



VÝSTRAHA: Před používáním produktu je třeba, abyste si přečetli a porozuměli kapitole o bezpečnosti.

Husqvarna Connect

Husqvarna Connect je bezplatná aplikace pro mobilní zařízení. Aplikace Husqvarna Connect dodá vašemu výrobku Husqvarna doplňkové funkce:

- Rozšířené informace o výrobku.
- Informace o dílech a servisu a nápověda pro tyto položky.

Jak začít používat aplikaci Husqvarna Connect

1. Stáhněte si aplikaci Husqvarna Connect do svého mobilního zařízení.
2. V aplikaci Husqvarna Connect se zaregistrujte.
3. Při připojování a registraci výrobku postupujte podle pokynů v aplikaci Husqvarna Connect.

Před použitím výrobku

1. Pozorně si prostudujte tento návod k používání a nepoužívejte výrobek, pokud návodu zcela nerozumíte.

2. Zkontrolujte žací ústrojí, aby bylo zajištěno, že je řádně připevněné a nastavené. Viz *Kontrola žacího ústrojí na straně 44*.
3. Naplňte palivovou nádrž. Viz *Doplňování paliva na straně 42*.
4. Doplňte olej do olejové nádrže a zkontrolujte hladinu oleje. Viz *Kontrola hladiny oleje na straně 45*.

Doplňování paliva

Pokud možno používejte alkylátový benzin s nízkými emisemi. Není-li k dostání alkylátový benzin s nízkými emisemi, používejte kvalitní bezolovnatý benzin nebo olovnatý benzin s oktanovým číslem nejméně 90.



VAROVÁNÍ: Nepoužívejte benzin s oktanovým číslem nižším než 90 RON (87 AKI). Můžete tím výrobek poškodit.

1. Víčko palivové nádrže otevírejte pomalu, aby se uvolnil tlak.
2. Palivo doplňte pomalu z kanýstru. Dojde-li k rozlité paliva, odstraňte jej utěrkou a zbývající palivo nechte vypařit. (Obr. 44)
3. Očistěte plochu kolem víčka palivové nádrže.
4. Pevně dotáhněte víčko palivové nádrže. Není-li víčko palivové nádrže dotažené, hrozí nebezpečí požáru.
5. Než výrobek spustíte, přejděte s ním minimálně 3 m (10 stop) od místa, kde jste doplňovali palivo.

Nastavení výšky sečení

Výšku sečení lze nastavit v 6 úrovních.

1. Zatláčte ovladač výšky sečení ve směru kola a poté dozadu, pokud chcete zvýšit výšku sečení.
2. Zatláčte ovladač výšky sečení ve směru kola a poté dopředu, pokud chcete snížit výšku sečení. (Obr. 45)



VAROVÁNÍ: Nenastavujte výšku sečení příliš nízkou. V případě, že není povrch trávníku rovný, mohou nože přijít do styku se zemí.

Spuštění výrobku (LC 551VQ)

1. Zkontrolujte, zda je kabel zapalování připojený k zapalovací svíčke.
2. Postavte se za výrobek.
3. Držte páku motorové brzdy přitisknutou k rukojeti sekačky. (Obr. 46)
4. Uchopte rukojeť startovací šňůry pravou rukou.
5. Pomalu vytáhněte startovací šňůru, dokud neucítíte odpor.
6. Nastartujte motor silným zatáhnutím za šňůru.

Spuštění výrobku (LC 551SP, LC 551VBP)

1. Zkontrolujte, zda je kabel zapalování připojený k zapalovací svíčke.
2. Postavte se za výrobek.
3. Seřídte ovládání plynu.
 - a) Pokud je motor studený, nastavte ovládání plynu do polohy sytiče. (Obr. 47)
 - b) Pokud je motor zahřátý, nenastavujte ovládání plynu do polohy sytiče.
4. U modelu LC 551SP držte páku motorové brzdy přitisknutou k řídlítkům. (Obr. 46)
5. Uchopte rukojeť startovací šňůry pravou rukou.
6. Pomalu vytáhněte startovací šňůru, dokud neucítíte odpor.
7. Nastartujte motor silným zatáhnutím za šňůru.
8. Ovládání plynu nastavte na plný plyn.

9. U modelu LC 551VBP:

- a) Uvolněte inhibitor spouštění.
- b) Nože spustíte zatlačením ovládání brzdy žacího nože směrem k řídlítkům.

Použití pohonu kol

- Přitáhněte páku pojezdu směrem k rukojeti. (Obr. 48)
- U modelu LC 551VQ a LC 551VBP: Upravte rychlost pojezdu pomocí ovládání rychlosti na levé straně řídlítek. Posunutím ovládání rychlosti dopředu zvýšíte rychlost a posunutím dozadu ji snížíte. (Obr. 49)
- Pokud chcete táhnout výrobek dozadu, odpojte pohon a zatláčte výrobek dopředu přibližně 10 cm.
- V blízkosti překážek uvolněte páku pojezdu, aby se deaktivoval pohon.

Zastavení výrobku (LC 551SP, LC 551VQ)

- Chcete-li zastavit pojezd, uvolněte páku pojezdu.
- Motor zastavíte uvolněním páky brzdy motoru.

Zastavení výrobku (LC 551VBP)

- Chcete-li zastavit pojezd, uvolněte páku pojezdu.
- Motor zastavíte přepnutím ovládání plynu do polohy zastavení.

Jak docílit dobrých výsledků

- Používejte vždy ostrý nůž. Při použití tupého nože je stříh nepravidelný a posečený povrch trávy žlutne. Ostrý nůž také vyžaduje méně energie než tupý nůž.
- Nesekejte více než 1/3 výšky trávy. Nejprve sekejte se žacím ústrojím nastaveným vysoko. Zkontrolujte výsledek a případně snižte výšku sečení na požadovanou úroveň. Pokud je tráva velmi vysoká, jezděte pomalu a v případě potřeby sekejte 2krát.
- Sekejte vždy v jiném směru, aby na trávníku nevznikly pruhy.
- Udržujte kryt žacího ústrojí čistý. Nahromaděná tráva a nečistoty na vnitřní straně krytu žacího ústrojí mohou snížit výsledek sečení. Další informace jsou uvedeny v části *Čištění vnitřního povrchu krytu žacího ústrojí na strani 44.*

Údržba

Úvod



VÝSTRAHA: Před prováděním údržby je třeba, abyste si přečetli kapitolu o bezpečnosti a porozuměli jí.

Pro servis a opravy výrobku je nezbytné speciální školení. Garantujeme dostupnost profesionálních oprav

a servisu. Pokud prodejce neposkytuje servisní služby, požádejte jej o informace o nejbližším servisu.

Podrobnější informace jsou uvedeny v části www.husqvarna.com.



VAROVÁNÍ: Když nakláníte výrobek, ujistěte se, že vzduchový filtr je na horní

Intervaly údržby se vypočítávají na základě každodenního používání výrobku. Intervaly se mění, není-li výrobek používán denně.

U údržby označené symbolem * vyhledejte pokyny v části *Bezpečnostní zařízení na produktu na straní 40.*

Údržba	Denně	Týdně	Měsíčně
Provedte běžnou kontrolu.	X		
Zkontrolujte hladinu oleje.	X		
Vyčistěte výrobek.	X		
Zkontrolujte žací ústrojí.	X		
Zkontrolujte kryt žacího ústrojí.*	X		
Zkontrolujte páku brzdy motoru.* (LC 551SP, LC 551VQ)	X		
Zkontrolujte ovládání brzdy žacího nože.* (LC 551VBP)	X		
Zkontrolujte tlumič výfuku.*		X	
Zkontrolujte zapalovací svíčku.		X	
Vyměňte olej (poprvé po 5 h použití, poté po každých 50 h použití a jednou ročně).			X
Vyčistěte nebo vyměňte vzduchový filtr.			X
Zkontrolujte palivový systém.			X

Provedení běžné kontroly

- Zajistěte, aby byly všechny matice a šrouby na výrobku správně dotaženy.

- Opálchněte vodou z hadice vnitřní povrch krytu žacího ústrojí.

Čištění výrobku

- Plastové části čistěte čistou a suchou utěrkou.
- Nečistěte výrobek vodou. Voda může proniknout do baterie nebo motoru a způsobit zkrat nebo poškození výrobku.
- K čištění výrobku nepoužívejte vysokotlaký čistič.
- Motor nesmí být přímo oplachován vodou.
- Pomocí kartáče odstraňte listí, trávu a nečistoty.
- Sejměte kryt spojky a pomocí kartáče odstraňte trávu pod ním. (LC 551VBP)

Kontrola žacího ústrojí



VÝSTRAHA: Aby se zabránilo náhodnému spuštění, odpojte kabel zapalování od zapalovací svíčky.



VÝSTRAHA: Při provádění údržby žacího ústrojí používejte ochranné rukavice. Nůž je velmi ostrý a může snadno dojít k pořezání.

Čištění vnitřního povrchu krytu žacího ústrojí

- Vyprázdněte palivovou nádrž.
- Položte výrobek na bok s výfukem dole.

- Zkontrolujte žací ústrojí ohledně poškození a prasklin. Poškozené žací ústrojí vždy vyměňte.
- Prohlédněte nůž a zkontrolujte, zda není poškozený nebo tupý.

Povšimněte si: Po ostření je nezbytné nůž vyvážit. Výměnu, ostření a vyvážení nože svěšte servisnímu středisku. Dojde-li k nárazu do překážky, po kterém dochází k vypínání výrobku, vyměňte poškozený nůž. O tom, zda je možné nůž nabrousit či zda je nutné ho vyměnit, rozhodne servisní středisko.



VAROVÁNÍ: Pokud byste položili výrobek se vzduchovým filtrem dole, mohl by se poškodit motor.

Postup výměny nože

1. Zajistěte nůž pomocí dřevěného špalíku. (Obr. 50)
2. Demontujte šroub nože.
3. Demontujte nůž.
4. Zkontrolujte, zda nejsou unášec nože a šroub nože poškozené.
5. Prohlédněte hřídel motoru a ujistěte se, zda není ohnutý.
6. Při montáži nového nože nasměrujte zahnuté konce nože směrem ke krytu žacího ústrojí. (Obr. 51)
7. Zkontrolujte, zda je nůž zarovnaný se středem hřídele motoru.
8. Zajistěte nůž pomocí dřevěného špalíku. (Obr. 52)
9. Připevňte nůž.
 - a) U modelů LC 551SP a LC 551VQ nasadte pružnou podložku a utáhněte šroub a podložku utahovacím momentem 70 Nm.
 - b) U modelu LC 551VBP dotáhněte šrouby momentem 50 Nm. (Obr. 53)
10. Otočte nožem rukou a zkontrolujte, zda se volně otáčí.



VÝSTRAHA: Používejte odolné rukavice. Nůž je velmi ostrý a může snadno dojít k poranění.

11. Nastartujte výrobek a proveďte test nože. Pokud není nůž správně připevněn, výrobek vibruje a výsledky sečení nejsou uspokojivé.

Kontrola hladiny oleje



VAROVÁNÍ: Příliš nízká hladina oleje může způsobit poškození motoru. Před spuštěním výrobku zkontrolujte hladinu oleje.

1. Umístěte výrobek na rovnou plochu.
2. Sejměte víčko olejové nádrže s olejovou měrkou.
3. Setřete olej z olejové měrky.
4. Zasuňte měrku až na doraz do olejové nádrže. Utáhněte víčko olejové nádrže, abyste správně zjistili hladinu oleje.
5. Vyjměte olejovou měrku.
6. Zkontrolujte hladinu oleje na olejové měrce.
7. Pokud je hladina nízká, doplňte motorový olej a znovu zkontrolujte hladinu oleje.

(Obr. 54)

Povšimněte si: Použijte trychtýř, aby nedošlo k rozliti.

Výměna motorového oleje



VÝSTRAHA: Motorový olej je bezprostředně po vypnutí motoru velmi horký. Před vypuštěním nechte motorový olej vychladnout. Pokud si potřísníte pokožku motorovým olejem, omyjte ji mýdlem a vodou.

(Obr. 55)

1. Odmontujte kabel zapalování od zapalovací svíčky.
2. Sejměte víčko olejové nádrže.
3. Vypusťte motorový olej.
 - a) U modelů s vypouštěcí zátkou oleje: Umístěte nádobu pod vypouštěcí zátku oleje tak, aby do ní mohl vytéct motorový olej.
 - b) U modelů bez vypouštěcí zátky oleje nebo pokud není možné umístit pod vypouštěcí zátku oleje nádobu: Pomocí čerpadla oleje (příslušenství) vypusťte motorový olej z nádrže motorového oleje.
4. Doplňte nový motorový olej typu doporučeného v části *Technické údaje na strani 47*.
5. Zkontrolujte hladinu oleje. Viz část *Kontrola hladiny oleje na strani 45*.

Doplnění a výměna motorového oleje

- Informace ohledně doplnění a výměny motorového oleje naleznete v návodu k používání motoru.

Čištění a výměna vzduchového filtru (LC 5551SP, LC 551VBP)

- Informace ohledně čištění a výměny vzduchového filtru naleznete v návodu k používání motoru.

Demontáž a montáž vzduchového filtru (LC 551VQ)



VÝSTRAHA: Používejte ochranné rukavice.

1. Stiskněte spony na krytu vzduchového filtru.
2. Opatrně sejměte kryt vzduchového filtru (A) z motoru.
3. Demontujte vzduchový filtr (B) a pěnový filtr (C). (Obr. 56)
4. Zkontrolujte, jestli není vzduchový filtr poškozený. Poškozený vzduchový filtr vyměňte.
5. Vyčistěte a prohlédněte vzduchový filtr. Viz část *Čištění vzduchového filtru (LC 551VQ) na strani 46*.
6. Montáž proveďte v opačném pořadí.

Čištění vzduchového filtru (LC 551VQ)



VAROVÁNÍ: Nepoužívejte motor bez namontovaného vzduchového filtru nebo se znečištěným vzduchovým filtrem.



VAROVÁNÍ: Pokud nelze vzduchový filtr zcela vyčistit nebo je poškozený, vyměňte jej. Vadný vzduchový filtr může způsobit poškození motoru.

1. Stiskněte úchytky západky (A), demontujte kryt vzduchového filtru (B) a vyjměte vzduchový filtr (C). (Obr. 57)
2. Poklepejte vzduchovým filtrem o tvrdý povrch nebo jej profoukněte stlačeným vzduchem z čisté strany vzduchového filtru.



VAROVÁNÍ: K odstranění nečistot nepoužívejte kartáč, protože tak se špína zatlačí do vzduchového filtru.

3. Očistěte držák vzduchového filtru (D) a kryt vzduchového filtru navlhčeným hadříkem.



VAROVÁNÍ: Zajistěte, aby se do vzduchového kanálu (E) nedostaly nečistoty.

4. Namontujte vzduchový filtr. Zkontrolujte, zda vzduchový filtr dokonale těsní proti držáku vzduchového filtru.
5. Namontujte kryt vzduchového filtru spodními úchytkami napřed.

Kontrola zapalovací svíčky



VAROVÁNÍ: Vždy používejte doporučený typ zapalovacích svíček.

Nesprávný typ zapalovací svíčky může způsobit poškození výrobku.

- Zkontrolujte zapalovací svíčku, pokud má motor malý výkon, špatně startuje nebo nefunguje správně ve volnoběžných otáčkách.
- Aby se snížilo nebezpečí přítomnosti nechtěných materiálů na elektrodách zapalovací svíčky, dodržujte tyto pokyny:
 - a) Zkontrolujte, zda jsou správně nastaveny volnoběžné otáčky.
 - b) Zkontrolujte správnost palivové směsi.
 - c) Zkontrolujte, zda je vzduchový filtr čistý.
- Jestliže je zapalovací svíčka znečištěná, vyčistěte ji a zkontrolujte, zda je vzdálenost elektrod zapalovací svíčky správná, viz část *Technické údaje na strani 47*. (Obr. 58)
- V případě potřeby zapalovací svíčku vyměňte.

Kontrola palivového systému

- Prohlédněte víčko palivové nádrže a těsnění víčka a ujistěte se, že nejsou poškozené.
- Prohlédněte hadici přívodu paliva a ujistěte se, že nedochází k úniku. Pokud je hadice přívodu paliva poškozená, požádejte servisního pracovníka o výměnu.

Nastavení ovládání rychlosti a plynu

Ovládání rychlosti upravuje rychlost pojezdu. Ovládání plynu upravuje otáčky motoru.



VAROVÁNÍ: Při spuštění motoru neupravujte ovládání rychlosti.

1. Pokud chcete upravit rychlost pojezdu, otočením seřizovacího šroubu (A) seřídte délku pouzdra lanka. Zkrácením pouzdra lanka zvýšíte rychlost pojezdu.
2. Pokud nelze nastavit polohu sytiče nebo zastavení, upravte otáčky motoru. Otočte seřizovacím šroubem (B). (Obr. 59)

Přeprava, skladování a likvidace

Přeprava a skladování

- Před uskladněním a přepravou výrobku či paliva zkontrolujte, zda nejsou přítomny známky úniku nebo výparů. Jiskry a otevřený oheň, například z elektrických zařízení nebo kotlů, mohou zažhnout požár.
- Vždy používejte schválené nádoby na skladování a přepravu paliva.
- Před dlouhodobým skladováním výrobku vyprázdněte palivovou nádrž. Odevzdejte palivo na příslušném sběrném místě

- Během přepravy musí být výrobek bezpečně upevněný, aby se zabránilo jeho poškození a nehodám.
- Skladujte výrobek na uzamčeném místě, aby se zamezilo přístupům dětí a neoprávněných osob.
- Uchovávejte výrobek na suchém a bezprašném místě.

Likvidace

- Dodržujte místní požadavky ohledně recyklace a platné předpisy.

- Odevzdejte všechny chemikálie, například motorový olej nebo palivo, v servisním středisku nebo na příslušném sběrném místě.
- Nehodláte-li výrobek dále používat, odešlete jej prodejci Husqvarna nebo jej dopravte do recyklační stanice.

Technické údaje

	LC 551SP	LC 551VBP	LC 551VQ
Motor			
Značka	Kawasaki	Kawasaki	Husqvarna
Model	FJ180V	FJ180V	HS 166AP
Typ motoru	Jednoválcový, čtyřdobý, nucené chlazení vzduchem, rozvod OHV	Jednoválcový, čtyřdobý, nucené chlazení vzduchem, rozvod OHV	Jednoválcový, čtyřdobý, nucené chlazení vzduchem, rozvod OHV
Zdvihový objem, cm ³	179	179	166
Rychlost, ot/min	2 800	2 800	2 800
Jmenovitý výkon motoru, kW ¹¹	2,9	2,9	2,7
Systém zapalování			
Zapalovací svíčka	NGK BPR5ES	NGK BPR5ES	Husqvarna HQT-7
Elektrodová vzdálenost, mm	0,6–0,8	0,6–0,8	0,7–0,8
Systém mazání a palivový systém			
Typ mazání motoru	Tlakový s olejovým filtrem	Tlakový s olejovým filtrem	Rozstříkovací
Objem palivové nádrže, l	1,9	1,9	1,5
Objem olejové nádrže, litry	0,7	0,7	0,5
Motorový olej ¹²	Husqvarna SAE 30	Husqvarna SAE 30	Husqvarna SAE 30
Hmotnost			
S prázdnými nádržemi, kg	48,5	52,5	51,0
Emise hluku ¹³			
Hladina akustického výkonu, změřená dB (A)	97	96	97
Hladina akustického výkonu, zaručená L _{WA} dB (A)	98	98	98
Hladiny hluku ¹⁴			

¹¹ Uvedený jmenovitý výkon motoru je průměrný čistý výkon (při specifikovaných ot/min) typického motoru pro model motoru měřený podle normy SAE J1349/ISO1585. Sériové vyráběné motory se od této hodnoty mohou lišit. Skutečný výstupní výkon motoru instalovaného na konečném výrobku závisí na provozních otáčkách, povětrnostních podmínkách a dalších hodnotách.

¹² Pokud použijete olej SAE-30 při teplotě nižší než +5 °C, hrozí nebezpečí nedostatečného promazání motoru. Může dojít k poškození motoru. Viz část *Výměna motorového oleje na strani 45* se správným olejem pro nízké teploty.

¹³ Emise hluku do okolního prostředí měřené jako akustický výkon (L_{WA}) v souladu se směrnicí 2000/14/ES.

¹⁴ Hladina akustického tlaku měřená podle normy ISO 5395. Uváděná data pro hladinu tlaku zvuku mají typickou statistickou odchylku (standardní odchylku) 1,2 dB (A).

	LC 551SP	LC 551VBP	LC 551VQ
Hladina akustického tlaku na sluch obsluhy, dB (A)	87	84	86
Úrovně vibrací¹⁵			
Řídítka, m/s ²	4,5	4,5	3,2
Žací ústrojí			
Výška sečení, mm	26–74	26–74	26–74
Šířka sečení, mm	510	510	510
Nůž	Sběrač	Sběrač	Sběrač
Objednací číslo	5875908-10	5821494-10	5875908-10
Kapacita koše na trávu, l	65	65	65
Pohon			
Rychlost, km/h	4,1	2,8–5	2,8–5

¹⁵ Hladina vibrací měřená podle normy ISO 5395. Uváděná data o úrovni vibrací mají typickou statistickou odchylku (standardní odchylku) 0,2 m/s².

Prohlášení o shodě

Prohlášení o shodě EU

Společnost **Husqvarna AB**, SE-561 82 Huskvarna, Švédsko, tel.: +46-36-146500, na svou výhradní odpovědnost prohlašuje, že výrobek:

Popis	Sekačka na trávu
Značka	Husqvarna
Typ/Model	LC 551SP, LC 551VBP, LC 551VQ
Identifikace	Výrobní čísla od roku 2022 a dále

je zcela ve shodě s následujícími směrnici a předpisy EU:

Nařízení	Popis
2006/42/ES	„o strojních zařízeních“
2014/30/EU	„o elektromagnetické kompatibilitě“
2000/14/ES	„týkající se emisí hluku do okolního prostředí“
2011/65/EU	„o omezení používání některých nebezpečných látek v elektrických a elektronických zařízeních“

a že byly použity následující normy nebo technické specifikace: EN ISO 5395-1:2013/A1:2018, EN ISO 5395-2:2013/A1:2016/A2:2017, EN ISO 14982:2009, EN IEC 63000:2018

Oznámený subjekt: 0404, RISE SMP Svensk Maskinprovning AB, Box 4053, SE-904 03 Umeå, Sweden obdržel osvědčení o shodě se směrnicí rady 2000/14/ES, postup posouzení shody: Dodatek VI.

Informace o emisích hluku najdete v části *Technické údaje na strani 47*.

Huskvarna, 2022-09-29



Claes Losdal, ředitel vývoje zahradního sortimentu, Husqvarna AB

Osoba odpovědná za technickou dokumentaci



Indhold

Indledning.....	50	Vedligeholdelse.....	56
Sikkerhed.....	51	Transport, opbevaring og bortskaffelse.....	59
Montering.....	54	Tekniske data.....	60
Drift.....	55	Overensstemmelseserklæring.....	62

Indledning

Produktbeskrivelse

Produktet er en roterende plæneklipper med gående fører. Græsset opsamles i en græsopsamler. Fjern græsopsamleren for at få bagudkast af græsset. Monter et bioklipsæt (ekstraudstyr), og klip græsset til gødning.

Produktoversigt

(Fig. 1)

1. Motorbremsehåndtag
2. Styr / håndtag
3. Omdrejningstalregulering
4. Bøjle til fremtræk
5. Startsnorens håndgreb
6. Græsopsamler
7. Håndtag til højdejustering
8. Klippehøjdejustering

Produktoversigt

(Fig. 2)

1. Styr / håndtag
2. Knivens bremsegreb (LC 551VBP)
3. Hastighedsstyring / gashåndtag (LC 551VBP)
4. Bøjle til fremtræk (LC 551VBP)
5. Startspærre (LC 551VBP)
6. Startsnorens håndgreb
7. Græsopsamler
8. Håndtag til højdejustering
9. Klippehøjdejustering
10. Oliepind/olietank
11. Klippebord
12. Lyddæmper
13. Tændrør
14. Luftfilter
15. Brændstoftank
16. Bageste dæksel
17. Motorbremsehåndtag (LC 551SP)
18. Gashåndtag (LC 551SP)
19. Bøjle til fremtræk (LC 551SP)
20. Brugervejledning

Anvendelsesformål

Brug produktet til at slå græs. Brug ikke produktet til andre opgaver.

9. Oliepind/olietank
10. Klippebord
11. Lyddæmper
12. Tændrør
13. Luftfilter
14. Brændstoftank
15. Bageste dæksel
16. Brugervejledning

Symboler på produktet

- (Fig. 3) Skødesløs eller forkert brug kan medføre personskade eller dødsfald for føreren eller omkringstående.
- (Fig. 4) Læs brugsanvisningen omhyggeligt igennem, og sørg for at have forstået instruktionerne, inden du bruger produktet.
- (Fig. 5) Hold uvedkommende personer og dyr på sikker afstand af arbejdsstedet.
- (Fig. 6) Stands motoren, og fjern tændingskablet, før der udføres reparationer eller vedligeholdelsesarbejde.
- (Fig. 7) Olie
- (Fig. 8) Hurtigt
- (Fig. 9) Langsomt
- (Fig. 10) Stop motoren

- (Fig. 11) Choker
- (Fig. 12) Knivkobling
- (Fig. 13) Pas på udslyngede genstande og rikolettering.
- (Fig. 14) Hold hænder og fødder på sikker afstand af den roterende kniv.
- (Fig. 15) Hold hænder og fødder på sikker afstand af roterende genstande.
- (Fig. 16) Dette produkt er i overensstemmelse med gældende EU-direktiver.
- (Fig. 17) Dette produkt er i overensstemmelse med gældende UK-bestemmelser.
- (Fig. 18) Mærkat vedrørende emission af støj til omgivelserne i henhold til direktiver og regulativer i EU og Storbritannien og New South Wales' lovgivning om "Beskyttelse af miljøet (støjbegrensning) forordning 2017". Produktets garanterede lydeffektniveau er angivet i *Tekniske data på side 60* og på mærkaten
- (Fig. 19) Udstødningsgasserne fra motoren indeholder kulilte, som er en luftfri, giftig og meget farlig gasart. Undlad at tænde produktet indendørs eller i lukkede rum.
- (Fig. 20) Undlad at tænde produktet indendørs eller i lukkede rum.
- (Fig. 21) Risiko for eksplosion.

- (Fig. 22) Varm overflade
- (Fig. 23) Motoren leveres uden olie.
- (Fig. 24) Fyld olie på, før du bruger produktet.
- (Fig. 25) Brug ikke E85-brændstof.
- (Fig. 26) Hold produktet væk fra åben ild.
- (Fig. 27) Kode, der kan scannes.

Bemærk: Andre symboler/mærkater på produktet henviser til markedsspecifikke lovkra.

Euro V-emissioner



ADVARSEL: Ved manipulation af motoren bortfalder EU-typegodkendelsen af dette produkt.

Produktansvar

Som nævnt i produktansvarsbestemmelserne hæfter vi ikke for skader forårsaget af vores produkt, hvis:

- produktet er forkert repareret.
- produktet er repareret med dele, der ikke er fra producenten eller ikke er godkendt af producenten
- produktet har tilbehør, der ikke er fra producenten eller ikke er godkendt af producenten.
- produktet ikke er repareret på et godkendt servicecenter eller af en godkendt myndighed.

Sikkerhed

Sikkerhedsdefinitioner

Advarsler, forholdsregler og bemærkninger bruges til at pege på særligt vigtige dele af brugsanvisningen.



ADVARSEL: Bruges, hvis føreren udsætter sig selv eller omkringstående personer for risiko for personskade eller dødsfald ved tilsidesættelse af instruktionerne i brugsanvisningen.



BEMÆRK: Bruges, hvis der er risiko for skader på produktet, andre materialer eller det omgivende område ved tilsidesættelse af instruktionerne i brugsanvisningen.

Bemærk: Bruges til at give yderligere oplysninger, der er nødvendige i en given situation.

Generelle sikkerhedsinstruktioner



ADVARSEL: Læs følgende advarselsinstruktioner, inden du bruger produktet.

- Dette produkt er farligt, hvis det bruges forkert, eller hvis du ikke er forsigtig. Personskade eller dødsfald kan forekomme, hvis du ikke overholder sikkerhedsinstruktionerne.
- Dette produkt danner et elektromagnetisk felt under drift. Dette felt kan i nogle tilfælde påvirke aktive eller passive medicinske implantater. For at

reducere risikoen for alvorlige eller dødbringende kvæstelser anbefaler vi, at personer med medicinske implantater kontakter deres læge og producenten af det medicinske implantat, før de tager produktet i brug.

- Vær altid forsigtig, og brug din sunde fornuft. Hvis du ikke er sikker på, hvordan produktet betjenes en særlig situation: Stop, og kontakt Husqvarna forhandleren, inden du fortsætter.
- Vær opmærksom på, at føreren er ansvarlig for ulykker, der involverer andre personer eller disses ejendom.
- Hold produktet rent. Sørg for, at skilte og mærkater er tydeligt læsbare.
- Lad ikke en person bruge produktet, medmindre du er sikker på, at vedkommende har læst og forstået indholdet i denne brugsanvisning.
- Lad ikke børn betjene produktet.
- Hold børn væk fra arbejdsområdet. En voksen skal være til stede hele tiden.
- Lad ikke en person uden kendskab til vejledningen betjene produktet.
- Hold altid øje med personer med nedsat fysisk eller mental kapacitet, der bruger produktet. En voksen skal være til stede hele tiden.
- Brug ikke produktet, hvis du er træt, syg eller påvirket af alkohol, narkotika eller medicin. Det har en negativ virkning på synet, overblikket, koordinationsevnen og dømmekraften.
- Brug ikke produktet, hvis det er fejlbehæftet.
- Foretag ikke ændringer på produktet, og undlad at bruge det, hvis der er risiko for, at det er blevet ændret af andre.
- Foretag ikke ændringer i justeringen af motoromdrejningsstyringen.

Sikkerhed i arbejdsområdet



ADVARSEL: Læs følgende advarselsinstruktioner, inden du bruger produktet.

- Fjern genstande såsom grene, kviste og sten fra arbejdsområdet, inden du bruger produktet.
- Genstande, som rammer skæreudstyret, kan udslynges og forårsage person- og tingskade. Hold omkringstående personer og dyr på sikker afstand af produktet.
- Undlad at bruge produktet i dårligt vejr, som f.eks. tåge, regn, hård vind, kraftig kulde og ved risiko for lynnedslag. Det kan være trættende at bruge produktet i dårligt vejr eller i fugtige eller våde områder. Dårligt vejr kan medføre farlige forhold, f.eks. glatte underlag.
- Pas på personer, genstande og situationer, som kan forhindre sikker brug af produktet.
- Pas på forhindringer som f.eks. rødder, sten, kviste, huller og grøfter. Langt græs kan skjule hindringer.

- Det kan være farligt at klippe græs på skråninger. Brug ikke produktet på skråninger, der hælder mere end 15°.
- Lad produktet køre på tværs af skråninger. Kørs ikke op og ned.
- Vær forsigtig, når du nærmer dig uoverskuelige hjørner og genstande, som blokerer for udsynet.

Arbejdssikkerhed



ADVARSEL: Læs følgende advarselsinstruktioner, inden du bruger produktet.

- Brug kun produktet til græsslåning. Det er ikke tilladt at bruge det til andre opgaver.
- Bær personligt beskyttelsesudstyr. Se *Personligt beskyttelsesudstyr på side 53*.
- Sørg for, at du ved, hvordan du standser motoren hurtigt i nødstilfælde.
- Start aldrig motoren i et lukket rum eller i nærheden af brandfarlige materialer. Motorens udstødningsgasser er varme og kan indeholde gnister, som kan forårsage brand.
- Betjen ikke produktet, medmindre klingens og alle afskærmninger er monteret korrekt. En forkert monteret klinge kan løse sig og forårsage personskade.
- Sørg for, at klingens ikke rammer genstande som f.eks. sten og rødder. Det kan beskadige kniven og bøje motorakslens. En bøjet aksel giver kraftige vibrationer og stor risiko for, at kniven løsner sig.
- Hvis kniven rammer en genstand, eller der opstår vibrationer, skal du straks standse produktet. Tag tændkablet af tændrøret. Undersøg, om produktet er blevet beskadiget. Reparer skader, eller lad et autoriseret serviceværksted udføre reparationen.
- Fastgør aldrig motorbremsehåndtaget permanent på styret, når motoren er startet.
- Anbring produktet på et stabilt, fladt underlag, og start det. Sørg for, at kniven ikke rammer jorden eller andre genstande.
- Hold dig altid bag produktet, mens du betjener det.
- Lad alle hjulene blive på jorden, og hold 2 hænder på styret, når du betjener produktet. Hold hænder og fødder på sikker afstand af de roterende klinger.
- Tip ikke produktet, når motoren er startet.
- Vær forsigtig, når du trækker produktet baglæns.
- Løft aldrig produktet, når motoren er startet. Hvis du skal løfte produktet, skal du først standse motoren og frakoble tændkablet fra tændrøret.
- Gå ikke baglæns, når du bruger produktet.
- Standt motoren, når du bevæger dig hen over områder uden græs, f.eks. stier med grus, sten og asfalt.
- Undlad at køre med produktet, når motoren er startet. Gå altid fremad, når du bruger produktet.

- Stands motoren, inden du ændrer klippehøjden. Foretag aldrig justeringer, når motoren er startet.
- Efterlad aldrig produktet uden opsyn, når motoren er startet. Stands motoren, og sørg for, at skæreudstyret ikke roterer.

Sikkerhedsinstruktioner for drift

Personligt beskyttelsesudstyr



ADVARSEL: Læs følgende advarselsinstruktioner, inden du bruger produktet.

- Personligt beskyttelsesudstyr udelukker ikke fuldstændigt risikoen for personskader, men det mindsker graden af skaderne i tilfælde af, at der skulle ske en ulykke. Lad forhandleren hjælpe dig med at vælge det rigtige udstyr.
- Brug høreværn, hvis støjniveauet er højere end 85 dB.
- Brug kraftige, skridsikre støvler eller sko. Brug ikke åbne sko, og gå heller ikke på bare fødder.
- Brug kraftige, lange bukser.
- Brug om nødvendigt beskyttelseshandsker, f.eks. ved montering, eftersyn eller rengøring af skæreudstyret.

Sikkerhedsanordninger på produktet



ADVARSEL: Læs følgende advarselsinstruktioner, inden du bruger produktet.

- Brug ikke et produkt med sikkerhedsanordninger, der er beskadigede eller ikke fungerer korrekt.
- Kontrollér sikkerhedsanordningerne regelmæssigt. Hvis sikkerhedsanordningerne er beskadigede eller ikke fungerer korrekt, skal du kontakte dit Husqvarna-serviceværksted.
- Foretag ikke ændringer på sikkerhedsanordninger.

Sådan kontrolleres klippeskjoldet

Klippeskjoldet mindsker vibrationer i produktet og reducerer risikoen for skader fra klingens.

- Undersøg klippeskjoldet for at sikre, at der ikke er skader såsom revner.

Sådan kontrolleres motorbremsehåndtaget (LC 551SP, LC 551VQ)

Motorbremsehåndtaget standser motoren. Når motorbremsehåndtaget slippes, standser motoren.

- Start motoren, og slip derefter motorbremsehåndtaget. Hvis motoren ikke standser inden for 3 sekunder, skal et godkendt Husqvarna serviceværksted justere motorbremsen. (Fig. 28)

Sådan udfører du en kontrol af knivens bremsegreb og startspærren (LC 551VBP)

Knivens bremsegreb standser kun kniven, ikke motoren. Når knivens bremsegreb slippes, standser kniven.

1. Start motoren.
2. Skub knivens bremsegreb i retning mod styret. Startspærren standser bevægelsen.
3. Skub startspærren ud.
4. Skub knivens bremsegreb i retning mod styret. Kniven begynder at rotere.
5. Slip knivens bremsegreb. Hvis kniven ikke standser inden for 3 sekunder, skal et godkendt Husqvarna serviceværksted justere knivbremsen. (Fig. 29)
6. Sørg for, at startspærren bevæger sig tilbage til udgangspositionen.

Lyddæmper

Lyddæmperen sikrer et minimalt støjniveau og sender udstødningsgasserne væk fra føreren.

Brug ikke produktet, hvis lyddæmperen mangler eller er defekt. En defekt lyddæmper øger støjniveauet og risikoen for brand.



ADVARSEL: Lyddæmperen bliver meget varm under og efter brug, og når motoren kører i tomgang. Vær forsigtig i nærheden af brandfarlige materialer og/eller dampe for at forhindre brand.

Sådan kontrolleres lyddæmperen

- Efterse lyddæmperen regelmæssigt for at sikre, at den er monteret korrekt og ikke er beskadiget.

Brændstofsikkerhed



ADVARSEL: Læs følgende advarselsinstruktioner, inden du bruger produktet.

- Start ikke produktet, hvis der er brændstof eller motorolie på produktet. Fjern uønsket brændstof/olie og lad produktet tørre.
- Hvis du får brændstof på dit tøj, skal du skifte tøj med det samme.
- Undgå at få brændstof på kroppen, da det kan forårsage personskader. Hvis du får brændstof på kroppen, skal du bruge sæbe og vand til at fjerne brændstoffet.
- Start ikke produktet, hvis motoren lækker. Undersøg regelmæssigt motoren for lækager.
- Vær forsigtig med brændstof. Brændstof er letantændeligt og dampe er eksplosive og kan medføre personskader eller dødsfald.

- Undgå at indånde brændstoffdampene, da det kan forårsage personskader. Sørg for, at der er tilstrækkelig luftstrøm.
- Ryg ikke i nærheden af brændstof eller motor.
- Anbring ikke varme genstande i nærheden af brændstof eller motor.
- Fyld ikke brændstof på, når motoren er tændt.
- Sørg for, at motoren er afkølet, inden du fylder brændstof på.
- Før du fylder brændstof på, skal du åbne brændstofftankens dæksel langsomt og forsigtigt udløse trykket.
- Fyld ikke brændstof på motoren i et indendørs område. Utilstrækkelig med luftstrøm kan forårsage personskader eller dødsfald på grund af kvælning eller kulilte.
- Spænd brændstofftankens dæksel helt. Hvis brændstofftankens dæksel ikke spændes, opstår der risiko for brand.
- Flyt produktet minimum 3 m / 10 ft fra det sted, hvor du fyldte tanken, før du starter det.
- Fyld aldrig brændstofftanken helt op. Varme får brændstoffet til at udvide sig. Sørg for at bevare ledig plads øverst i brændstofftanken.
- Udstødningsgasserne fra motoren indeholder kulilte, som er en lugtfri, giftig og meget farlig gasart. Undlad at starte motoren indendørs eller i lukkede rum.
- Før der udføres vedligeholdelse af produktet, standses motoren, og tændkablet tages af tændrøret.
- Brug handsker, når du udfører vedligeholdelse på skæreudstyret. Klingene er meget skarpe, og du kan nemt komme til at skære dig.
- Tilbehør til og ændringer på produktet, som ikke er godkendt af producenten, kan medføre alvorlig personskade eller dødsfald. Undlad at ændre produktet. Brug altid reservedele, der er godkendt af producenten.
- Hvis vedligeholdelsen ikke udføres korrekt og regelmæssigt, øges risikoen for personskade og beskadigelse af produktet.
- Foretag kun den form for vedligeholdelse, der er angivet i denne instruktionsbog. Eventuel anden service skal udføres af et godkendt Husqvarna serviceværksted.
- Lad et godkendt Husqvarna serviceværksted foretage regelmæssig service af produktet.
- Udskift beskadigede, slidte eller defekte dele.

Sikkerhedsinstruktioner for vedligeholdelse



ADVARSEL: Læs følgende advarselsinstruktioner, inden du bruger produktet.

Montering

Indledning



ADVARSEL: Inden brug af produktet skal du læse og forstå kapitlet om sikkerhed.



ADVARSEL: Fjern tændrørskablet fra tændrøret inden samling af produktet.

Sådan samles håndtaget

1. Løsn de nederste håndtag på venstre og højre side af produktet. Sørg for, at plastikskiven er i fordybningen i styrets beslag. (Fig. 30)
2. Monter styret klappet fremad som vist på illustrationen. (Fig. 31)
 - a) Sørg for, at plastikskiven er mellem styret og styrets beslag.
 - b) Fastgør styret til styrets beslag.
3. Løft styret opad. (Fig. 32)

4. Spænd skruelhåndtagene hårdt. Sådan justeres styrets højde, se *Sådan justeres håndtagets højde på side 54*.
5. Placer ledningerne i ledningsbeslagene. Sørg for, at ledningerne ikke er snoede. Fastgør ledningsbeslagene til styret. (Fig. 33)
6. Brug en ledningsbinder til at fastgøre ledningerne til styrets beslag. (Fig. 34)

Sådan justeres håndtagets højde

1. Løsn de nederste skruelhåndtag.
2. Flyt grebene til den nederste ende af rillerne på venstre og højre side af produktet. (Fig. 35)
3. Sæt håndtagets højde i 1 af de 2 mulige stillinger.
4. Flyt grebene op i retning af styret, indtil de stopper, og der høres et klik. (Fig. 36)
5. Spænd skruelhåndtagene hårdt.

Sådan sættes produktet i transportposition

1. Fjern græsopsamlere.

2. Løsn de nederste skruehåndtag.
3. Flyt grebene til den nederste ende af rillerne på venstre og højre side af produktet. (Fig. 35)
4. Fold håndtaget fremad. (Fig. 37)

Sådan sættes produktet i driftsstilling

1. Løft styret opad. (Fig. 32)
2. Flyt grebene op i retning af styret, indtil de stopper, og der høres et klik. (Fig. 36)
3. Spænd skruehåndtagene hårdt.

Sådan samles græsopsamleren

1. Fastgør græsopsamlerens ramme til græsposen med den afstivede del af posen nederst. Hold håndtaget på rammen oven på græsposen. (Fig. 38)
2. Fastgør den nederste del af græsopsamlerens ramme til græsposen. (Fig. 39)
 - a) Tryk græsopsamlerens ramme ned i rillen. Start i højre side som vist på illustrationen, og skub gradvist mod venstre.
3. Hvis græsopsamleren ramme ikke er let at fastgøre, kan du banke forsigtigt på græsopsamlerrammen med en gummihammer. Bank på græsopsamlerrammen mellem forstærkningerne. (Fig. 40)

4. Fastgør græsposen til græsopsamlerens ramme med clipsene. (Fig. 41)
5. Løft det bageste dæksel.
6. Fastgør græsopsamleren på chassissets øverste kant.
7. Sæt græsopsamlerens nederste del i græsudkastkanalen. (Fig. 42)

Sådan samles bioklipproppen (tilbehør)

1. Løft det bageste dæksel, og fjern græsopsamleren.
2. Sæt bioklipproppen i udkastkanalen. (Fig. 43)
3. Udskift klingens med findelingsklingen, der leveres med findelingssettet. Se *Sådan udskiftes bladet på side 58*.

Sådan klippes græs uden en monteret græsopsamler eller bioklipprop

- Løft det bageste dæksel, og fjern græsopsamleren.
- Hvis der er monteret en bioklipprop og en findelingsklinge, skal de fjernes.
- Luk det bageste dæksel, før du betjener produktet.

Når du betjener produktet, udkastes det afskårne græs under det bageste dæksel.

Drift

Indledning



ADVARSEL: Før du bruger produktet, skal du læse og forstå kapitlet om sikkerhed.

Husqvarna Connect

Husqvarna Connect er en gratis app til din mobile enhed. Appen Husqvarna Connect giver udvidede funktioner til dit Husqvarna produkt:

- Yderligere produktoplysninger.
- Oplysninger om, og hjælp til, dele og service.

Sådan kommer du i gang med at bruge Husqvarna Connect

1. Download Husqvarna Connect appen på din mobile enhed.
2. Tilmeld dig i Husqvarna Connect appen.
3. Følg instruktionerne i Husqvarna Connect appen for at tilslutte og registrere produktet.

Før du bruger produktet

1. Læs brugsanvisningen omhyggeligt igennem, og sørg for at have forstået instruktionerne.

2. Undersøg skæreudstyret for at sikre, at det er korrekt monteret og justeret. Se *Sådan efterses skæreudstyret på side 57*.
3. Fyld brændstoftanken. Se *Sådan påfyldes brændstof på side 55*.
4. Fyld olietanken, og efterse oliestanden. Se *Sådan kontrolleres oliestanden på side 58*.

Sådan påfyldes brændstof

Brug om muligt miljø-/alkylatbenzin. Hvis du ikke har mulighed for at bruge miljø-/alkylatbenzin, anvendes en blyfri benzin af god kvalitet eller blyholdig benzin med et oktantal ikke under 90.



BEMÆRK: Brug ikke benzin med et oktantal mindre end 90 RON (87 AKI). Det kan forårsage skader på produktet.

1. Åbn brændstoftankens dæksel langsomt for at aflaste trykket.
2. Påfyld brændstof langsomt med en benzindunk. Hvis du spilder brændstof, fjernes det med en klud. Lad resterende brændstof fordampe. (Fig. 44)
3. Rengør omkring brændstoftankens dæksel.
4. Spænd brændstoftankens dæksel helt. Hvis brændstoftankens dæksel ikke spændes, opstår der risiko for brand.

5. Flyt produktet minimum 3 m fra det sted, hvor du fyldte tanken, før du starter det.

Sådan indstilles klippehøjden

Klippehøjden kan justeres i 6 niveauer.

1. Tryk klippehøjdejusteringen i retning af hjulet, og træk derefter bagud for at øge klippehøjden.
2. Tryk klippehøjdejusteringen i retning af hjulet, og træk derefter fremad for at reducere klippehøjden. (Fig. 45)



BEMÆRK: Indstil ikke klippehøjden for lavt. Knivene kan ramme jorden, hvis græsplænenes overflade ikke er jævn.

Sådan startes produktet (LC 551VQ)

1. Kontroller, at tændkablet er tilsluttet til tændrøret.
2. Stil dig bag produktet.
3. Hold motorbremsehåndtaget ind mod styret. (Fig. 46)
4. Hold fast i startsnorens håndgreb med højre hånd.
5. Træk langsomt startsnoren ud, indtil der føles modstand.
6. Træk kraftigt, indtil motoren starter.

Sådan startes produktet (LC 551SP, LC 551VBP)

1. Kontroller, at tændkablet er tilsluttet til tændrøret.
2. Stil dig bag produktet.
3. Justér gashåndtaget.
 - a) Hvis motoren er kold, skal du sætte gashåndtaget i chokerposition. (Fig. 47)
 - b) Hvis motoren er varm, skal du ikke sætte gashåndtaget i chokerposition.
4. På model LC 551SP skal du holde motorbremsehåndtaget ind mod styret. (Fig. 46)
5. Hold fast i startsnorens håndgreb med højre hånd.
6. Træk langsomt startsnoren ud, indtil der føles modstand.
7. Træk kraftigt, indtil motoren starter.
8. Indstil gashåndtaget til fuld gas.
9. På model LC 551VBP:
 - a) Slip startspærren.

- b) Skub klingens bremsegreb i retning mod styret for at aktivere klingerne.

Sådan bruges hjulenes fremtræk

- Træk bøjlen til fremtrækket i retning mod styret. (Fig. 48)
- Til model LC 551VQ og model LC 551VBP: Juster hastigheden med hastighedsstyringen på venstre side af håndtaget. Skub hastighedsstyringen fremad for at øge hastigheden og bagud for at nedsætte hastigheden. (Fig. 49)
- Før produktet trækkes baglæns, frakobles fremtrækket, og produktet skubbes ca. 10 cm fremad.
- Slip bøjlen til fremtrækket for at frakoble det, f.eks. når du nærmer dig en forhindring.

Sådan standses produktet (LC 551SP, LC 551VQ)

- For kun at standse drevet slippes bøjlen til fremtrækket.
- Motoren standses ved at slippe motorbremsehåndtaget.

Sådan standses produktet (LC 551VBP)

- For kun at standse drevet slippes bøjlen til fremtrækket.
- For at stoppe motoren skal gashåndtaget sættes i positionen stop.

Sådan opnår du et godt resultat

- Sørg altid for, at klingene er skarpe. En sløv klinge giver et uregelmæssigt resultat, og græssets snitflade bliver gul. En skarp klinge bruger desuden mindre energi end en sløv klinge.
- Klip aldrig mere end 1/3 af græssets længde. Klip først med klippehøjden indstillet højt. Efterse resultatet, og sænk derefter klippehøjden til det ønskede niveau. Hvis græsset er meget højt, skal du køre langsomt og om nødvendigt klippe 2 gange.
- Klip i forskellige retninger hver gang for at undgå striber i græsplænen.
- Hold klippeafskærmningen ren. Ophobning af græs og snavs på indersiden af klippeafskærmningen kan forringe klipperesultatet. Se *Sådan rengøres indersiden af klippeskjoldet på side 57.*

Vedligeholdelse

Indledning



ADVARSEL: Inden der foretages vedligeholdelse, skal du læse og forstå kapitlet om sikkerhed.

Alt service- og reparationsarbejde på produktet kræver specialuddannelse. Vi garanterer faglig korrekt reparation og service. Hvis forhandleren ikke er et serviceværksted, kan vedkommende oplyse om nærmeste serviceværksted.

Se www.husqvarna.com for at få mere detaljerede oplysninger.

Vedligeholdelsesskema



BEMÆRK: Sørg for, at luftfilteret er oppe og ikke rammer imod jorden, når du vipper produktet. Risiko for motorskade.

Vedligeholdelsesintervallerne er fastlagt baseret på daglig brug af produktet. Intervallerne ændres, hvis produktet ikke bruges dagligt.

For vedligeholdelse mærket med * henvises til vejledningen i *Sikkerhedsanordninger på produktet på side 53*.

Vedligeholdelse	Hver dag	Ugentligt	Månedligt
Foretag et generelt eftersyn	X		
Efterse oliestanden	X		
Rengør produktet	X		
Efterse klippeudstyret	X		
Efterse klippebordet*	X		
Efterse motorbremsehåndtaget * LC 551SP, LC 551VQ	X		
Efterse knivens bremsegreb* LC 551VBP	X		
Efterse lyddæmperen*		X	
Efterse tændrøret		X	
Skift olie (første gang efter 5 timers brug, derefter efter hver 50 timers brug og årligt)			X
Rengør eller udskift luftfilteret			X
Efterse brændstofsyste			X

Sådan udføres et generelt eftersyn

- Sørg for, at alle møtrikker og skruer på produktet er spændt korrekt.

Sådan rengøres produktet

- Rengør plastdele med en ren og tør klud.
- Brug ikke vand til rengøring af produktet. Vand kan trænge ind i batteriet eller motoren og forårsage kortslutning eller beskadigelse af produktet.
- Brug ikke en højtryksrensers til at rengøre produktet.
- Sprøjt aldrig vand direkte på motoren.
- Brug en børste til at fjerne blade, græs og snavs.
- Fjern koblingsdækslet, og brug en børste til at fjerne græs under koblingsdækslet. (LC 551VBP)

Sådan rengøres indersiden af klippeskjoldet

1. Tøm brændstoftanken.
2. Placer produktet på siden med lyddæmperen nedad.



BEMÆRK: Hvis produktet anbringes med luftfilteret nedad, kan motoren tage skade.

3. Spul indersiden af klippeskjoldet med vand.

Sådan efterses skæreudstyret



ADVARSEL: Tændkablet tages af tændrøret for at undgå utilsigtet start af motoren.



ADVARSEL: Brug handsker, når du udfører vedligeholdelse på skæreudstyret. Klinge er meget skarpe, og du kan nemt komme til at skære dig.

1. Efterse skæreudstyret for skader eller revner. Udskift altid skæreudstyret, hvis det er beskadiget.
2. Kig på klingens for at se, om den er beskadiget eller sløv.

Bemærk: Kniven skal afbalanceres, efter den er blevet slebet. Lad et servicecenter skærpe, udskift og afbalancere klingerne. Hvis du rammer en forhindring, der får produktet til at standse, udskiftes den beskadigede klinge. Lad servicecenteret vurdere, om klingerne kan files, eller om de skal udskiftes.

Sådan udskiftes bladet

1. Lås kniven med en trækloids. (Fig. 50)
2. Fjern knivbolten.
3. Fjern bladet.
4. Undersøg knivophænget og knivbolten for skader.
5. Efterse motorakslen for at sikre, at den ikke er bøjet.
6. Når du sætter den nye kniv på, skal knivens spidser pege i retning af klippebordet. (Fig. 51)
7. Sørg for, at kniven flugter med motorakslens centrum.
8. Lås kniven med en trækloids. (Fig. 52)
9. Fastgør kniven.
 - a) På model LC 551SP, LC 551VQ: Monter fjederskiven, og spænd boltene og skiven med et tilspændingsmoment på 70 Nm.
 - b) På model LC 551VBP: Tilspænd boltene med et moment på 50 Nm. (Fig. 53)
10. Træk kniven rundt pr. håndkraft, og kontrollér, at den drejer frit.



ADVARSEL: Brug sikkerhedshandsker. Kniven er meget skarp, og du kan nemt komme til at skære dig.

11. Start produktet for at afprøve kniven. Hvis kniven ikke er korrekt fastgjort, forekommer der vibrationer i produktet, eller klipperesultatet bliver utilfredsstillende.

Sådan kontrolleres oliestanden



BEMÆRK: Hvis olieniveauet er for lavt, kan det medføre motorskader. Kontrollér oliestanden, før du starter produktet.

1. Anbring produktet på et plant underlag.
2. Afmonter olietankens dæksel, hvorpå oliepinden sidder.
3. Tør olien af oliepinden.
4. Sæt oliepinden helt ind i olietanken. Spænd olietankens dæksel for at sikre, at du får et korrekt billede af oliestanden.
5. Fjern oliepinden.
6. Kontrollér oliestanden på målepinden.
7. Hvis oliestanden er lav, skal der efterfyldes med motorolie, og foretag derefter en kontrol af oliestanden igen.

(Fig. 54)

Bemærk: Brug en tragt for at undgå at spilde.

Sådan udskiftes motorolien



ADVARSEL: Motorolien er meget varm umiddelbart efter, at motoren er standset. Lad motoren køle af, før du aftapper motorolien. Hvis du spilder motorolie på huden, kan den fjernes med vand og sæbe.

(Fig. 55)

1. Tag tændkablet af tændrøret.
2. Tag olietankens dæksel af.
3. Aftap motorolien.
 - a) For modeller med en olieaftappingsprop: Stil en beholder under olieaftappingsproppen til at opsamle motorolien i.
 - b) På modeller uden en olieaftappingsprop, eller hvis det ikke er muligt at sætte en beholder under olieaftappingsproppen: Brug en oliepumpe (tilbehør) til at aftappe motorolien fra olietanken.
4. Påfyld ny motorolie af den type, der anbefales i *Tekniske data på side 60*.
5. Udfør en kontrol af oliestanden. Se *Sådan kontrolleres oliestanden på side 58*.

Sådan påfyldes og skiftes motorolien

- For oplysninger om, hvordan motorolie påfyldes og skiftes, henvises til brugsanvisningen for motoren.

Sådan rengøres og udskiftes luftfilteret (LC 5551SP, LC 551VBP)

- For oplysninger om, hvordan luftfilteret rengøres og skiftes, henvises til brugsanvisningen for motoren.

Sådan af- og påmonteres luftfilteret (LC 551VQ)



ADVARSEL: Bær altid beskyttelseshandsker.

1. Tryk på klemmerne på luftfilterdækslet.
2. Tag forsigtigt luftfilterdækslet (A) ud af motoren.
3. Fjern luftfilteret (B) og skumfilteret (C). (Fig. 56)
4. Undersøg luftfilteret for skader. Udskift et beskadiget luftfilter.
5. Rengør og efterse luftfilteret. Se *Sådan rengøres luftfilteret (LC 551VQ) på side 58*.
6. Installer i modsat rækkefølge.

Sådan rengøres luftfilteret (LC 551VQ)



BEMÆRK: Lad ikke motoren køre uden et monteret luftfilter eller med et beskidt luftfilter.



BEMÆRK: Udskift luftfilteret, hvis det ikke bliver rent, eller hvis det er beskadiget. Et defekt luftfilter forårsager beskadigelse af motoren.

1. Tryk på låsetappene (A), fjern filterdækslet (B), og afmonter luftfilteret (C). (Fig. 57)
2. Slå luftfiltret mod en hård overflade, eller blæs trykluft gennem luftfilteret fra den rene side af luftfilteret.



BEMÆRK: Brug ikke en børste til at fjerne snavs, da der derved skubbes snavs ind i luftfilteret.

3. Rens luftfilterholderen (D) og filterdækslet med en fugtig klud.



BEMÆRK: Sørg for, at der ikke kommer snavs ind i luftkanalen (E).

4. Sæt luftfilteret i. Sørg for, at luftfilteret ligger helt tæt ind til luftfilterholderen.
5. Sæt luftfilterdækslet på igen med de nederste tappe først.

Sådan undersøger du tændrøret



BEMÆRK: Brug altid anbefalet tændrørstype. Forkert tændrørstype kan forårsage skader på produktet.

- Undersøg tændrøret, hvis motoren mangler kraft, ikke starter nemt eller ikke fungerer korrekt i tomgangshastighed.
- Sådan mindsker du risikoen for uønsket materiale på tændrørets elektroder, følg disse instruktioner:

- a) Sørg for, at omdrejningstallet i tomgang er indstillet korrekt.
 - b) Sørg for, at brændstofblandingen er korrekt.
 - c) Sørg for, at luftfilteret er rent.
- Hvis tændrøret er beskidt, skal det renses, og samtidig skal det kontrolleres, at elektrodeafstanden er korrekt, se *Tekniske data på side 60*. (Fig. 58)
 - Udskift tændrøret, når det er nødvendigt.

Sådan undersøger du brændstofsystemet

- Efterse brændstoftankens dæksel og pakningen til brændstoftankens dæksel for at sikre, at der ikke er nogen skader.
- Efterse brændstofslangen for at sikre, at der ikke er utætheder. Hvis brændstofslangen er beskadiget, skal du lade et serviceværksted skifte den.

Sådan justeres hastighedskontrollen og gashåndtaget

Omdrejningstalreguleringen justerer hastigheden. Gashåndtaget justerer motorhastigheden.



BEMÆRK: Juster ikke omdrejningstalreguleringen, mens motoren kører.

1. Sådan justeres omdrejningstalreguleringen: Drej justerskruen (A) for at justere længden på kabelarmingen. Gør kabelarmingen kortere for at øge hastigheden.
2. Hvis chokerpositionen eller stoppositionen ikke kan indkøbes, skal motorens omdrejningstal justeres. Skru justerskruen (B). (Fig. 59)

Transport, opbevaring og bortskaffelse

Transport og opbevaring

- Ved opbevaring og transport af produktet og brændstoffet, skal du sørge for, at der ikke er utætheder eller dampe. Gnister eller åben ild, f.eks. fra elektriske enheder eller kedler, kan starte en brand.
- Brug altid godkendte beholdere til opbevaring og transport af brændstof.
- Tøm brændstoftanken, inden du stiller produktet væk i en længere periode. Bortskaf brændstoffet på en lokal miljøstation
- Fastgør produktet sikkert under transport for at undgå skader og uheld.

- Opbevar produktet i et aflåst område utilgængeligt for børn eller personer, som ikke er godkendt.
- Opbevar produktet på et tørt og frostfrit sted.

Bortskaffelse

- Overhold de lokale krav til genanvendelse og de gældende regler.
- Bortskaf alle kemikalier, som f.eks. motorolie eller brændstof, hos et servicecenter eller på en lokal miljøstation.
- Når produktet ikke længere er i brug, skal det sendes til en Husqvarna forhandler eller bortskaffes på en lokal genbrugsstation.

Tekniske data

	LC 551SP	LC 551VBP	LC 551VQ
Motor			
Varemærke	Kawasaki	Kawasaki	Husqvarna
Model	FJ180V	FJ180V	HS 166AP
Motorstype	1-cylindret, 4-takts fremmedkøling, OHV	1-cylindret, 4-takts fremmedkøling, OHV	1-cylindret, 4-takts fremmedkøling, OHV
Slagvolumen, cm ³	179	179	166
Hastighed, o/min.	2800	2800	2800
Nominal motoreffekt, kW ¹⁶	2,9	2,9	2,7
Tændingsystem			
Tændrør	NGK BPR5ES	NGK BPR5ES	Husqvarna HQT-7
Elektrodeafstand, mm	0,6-0,8	0,6-0,8	0,7-0,8
Brændstof/smøresystem			
Motorsmøringstype	Tryk med oliefilter	Tryk med oliefilter	Splash
Brændstoftankens kapacitet, l	1,9	1,9	1,5
Olietankens kapacitet, l	0,7	0,7	0,5
Motorolie ¹⁷	Husqvarna SAE 30	Husqvarna SAE 30	Husqvarna SAE 30
Vægt			
Med tomme tanke, kg	48,5	52,5	51,0
Støjemissioner ¹⁸			
Lydeffektniveau, målt dB(A)	97	96	97
Lydeffektniveau, garanteret L _{WA} dB (A)	98	98	98
Lydniveauer ¹⁹			
Lydtryksniveau ved brugerens øre, dB(A)	87	84	86
Vibrationsniveauer ²⁰			
Styr, m/s ²	4,5	4,5	3,2

¹⁶ Motorens effektangivelse er den gennemsnitlige nettoeffekt (ved det anførte omdrejningstal) for en typisk produktionsmodel af motoren målt iht. SAE-standarden J1349/ISO1585. Motorer fra masseproduktionen kan afvige fra denne værdi. Den faktiske effekt på motoren, som installeres i det færdige produkt, vil afhænge af driftshastigheden, miljøhensyn og andre værdier.

¹⁷ Hvis SAE-30-olien anvendes ved temperatur under +5 °C, er der risiko for, at den ikke smører motoren tilstrækkeligt. Dette kan forårsage skader på motoren. Se *Sådan udskiftes motorolien på side 58* for den korrekte olie til lave temperaturer.

¹⁸ Støjemissioner til omgivelserne målt som lydeffekt (L_{WA}) i henhold til EF-direktiv 2000/14/EF.

¹⁹ Lydtryksniveau iht. ISO 5395. Rapporterede data for lydtryksniveau har en typisk statistisk spredning (standardafvigelse) på 1,2 dB (A).

²⁰ Vibrationsniveau iht. ISO 5395. Rapporterede data for vibrationsniveau har en typisk statistisk spredning (standardafvigelse) på 0,2 m/s².

	LC 551SP	LC 551VBP	LC 551VQ
Klippeudstyr			
Klippehøjde, mm	26-74	26-74	26-74
Skærebredde, mm	510	510	510
Kniv	Opsamling	Opsamling	Opsamling
Varenummer	5875908-10	5821494-10	5875908-10
Græsopsamlerens kapacitet, l	65	65	65
Drev			
Hastighed, km/t	4,1	2,8-5	2,8-5

Overensstemmelseserklæring

EU-overensstemmelseserklæring

Vi, **Husqvarna AB**, SE-561 82 Huskvarna, Sverige,
tlf.: +46-36-146500 erklærer under eneansvar, at det
pågældende produkt:

Beskrivelse	Plæneklipper
Varemærke	Husqvarna
Type / model	LC 551SP, LC 551VBP, LC 551VQ
Identifikation	Serienumrene fra 2022 og fremefter

overholder følgende EU-direktiver og bestemmelser:

Regulativ	Beskrivelse
2006/42/EF	"vedrørende maskiner"
2014/30/EU	"vedrørende elektromagnetisk kompatibilitet"
2000/14/EF	"vedrørende støjmissioner til omgivelserne"
2011/65/EU	"om begrænsning af anvendelsen af visse farlige stoffer i elektrisk og elektronisk udstyr"

og at følgende standarder og/eller tekniske
specifikationer anvendes: EN ISO 5395-1:2013/
A1:2018, EN ISO 5395-2:2013/A1:2016/A2:2017, EN
ISO 14982:2009, EN IEC 63000:2018

Bemyndiget organ: 0404, RISE SMP Svensk
Maskinprovning AB, Box 4053, SE-904 03
Umeå, Sweden har bekræftet, at bestemmelserne
i Rådets direktiv 2000/14/EF, procedure for
overensstemmelsesvurdering: Bilag VI.

Vedr. oplysninger om støjmission, se *Tekniske data på
side 60.*

Huskvarna, 2022-09-29



Claes Losdal, udviklingschef/haveprodukter, Husqvarna
AB

Ansvarlig for teknisk dokumentation



Inhalt

Einleitung.....	63	Wartung.....	70
Sicherheit.....	64	Transport, Lagerung und Entsorgung.....	74
Montage.....	68	Technische Daten.....	74
Betrieb.....	69	Konformitätserklärung.....	76

Einleitung

Produktbeschreibung

Das Produkt ist ein handgeführter Rasenmäher. Das Gras wird in einem Grasfänger gesammelt. Entfernen Sie den Grasfänger, um an den Heckauswurf des Grases zu gelangen. Befestigen Sie ein Mulch-Kit (Zubehör), um das Gras in Dünger zu schneiden.

Geräteübersicht

(Abb. 1)

1. Motorbremsgriff
2. Griff/Lenker
3. Drehzahlregelung
4. Antriebsbügel
5. Startseilgriff
6. Grasfänger
7. Höheneinstellung am Handgriff
8. Schnitthöhenregelung

Geräteübersicht

(Abb. 2)

1. Griff/Lenker
2. Klingenbremshebel (LC 551VBP)
3. Drehzahlregelung/Gashebel (LC 551VBP)
4. Antriebsgriff (LC 551VBP)
5. Startsperr (LC 551VBP)
6. Startseilgriff
7. Grasfänger
8. Höheneinstellung am Handgriff
9. Schnitthöhenregelung
10. Messstab/Öltank
11. Schneidwerkabdeckung
12. Schalldämpfer
13. Zündkerze
14. Luftfilter
15. Kraftstofftank
16. Heckklappe
17. Motorbremsgriff (LC 551SP)
18. Gashebel (LC 551SP)
19. Antriebsgriff (LC 551SP)
20. Bedienungsanleitung

Verwendungszweck

Verwenden Sie das Gerät zum Schneiden von Gras.
Verwenden Sie das Gerät nicht für andere Aufgaben.

9. Messstab/Öltank
10. Schneidwerkabdeckung
11. Schalldämpfer
12. Zündkerze
13. Luftfilter
14. Kraftstofftank
15. Heckklappe
16. Bedienungsanleitung

Symbole auf dem Gerät

- (Abb. 3) Bei unvorsichtiger oder nicht ordnungsgemäßer Bedienung kann es zu Verletzungen oder zum Tode des Bedieners oder anderer Personen kommen.
- (Abb. 4) Lesen Sie die Bedienungsanleitung sorgfältig durch, und machen Sie sich vor der Benutzung mit dem Inhalt vertraut.
- (Abb. 5) Andere Personen oder Tiere müssen sich in sicherem Abstand vom Arbeitsbereich befinden.
- (Abb. 6) Schalten Sie vor der Durchführung von Reparatur- oder Wartungsarbeiten den Motor aus, und entfernen Sie das Zündkabel.
- (Abb. 7) Öl
- (Abb. 8) Schnell
- (Abb. 9) Langsam

- (Abb. 10) Motor stoppen
- (Abb. 11) Choke
- (Abb. 12) Klingenkupplung
- (Abb. 13) Achten Sie auf hochgeschleuderte und abprallende Objekte.
- (Abb. 14) Halten Sie Hände und Füße von der rotierenden Klinge fern.
- (Abb. 15) Halten Sie Hände und Füße von rotierenden Teilen fern.
- (Abb. 16) Dieses Gerät stimmt mit den geltenden EU-Richtlinien überein.
- (Abb. 17) Dieses Gerät entspricht den geltenden UK-Richtlinien.
- (Abb. 18) Etikett mit Geräuschemissionen gemäß EU- und UK-Richtlinien und Verordnungen sowie der australischen „Protection of the Environment Operations (Noise Control) Regulation 2017“ (Umweltschutz-/Lärmschutzbestimmung) von New South Wales. Der garantierte Schalleistungspegel des Geräts ist unter *Technische Daten auf Seite 74* und auf dem Etikett angegeben.
- (Abb. 19) Die Abgase des Motors enthalten Kohlenmonoxid, ein geruchloses, giftiges und sehr gefährliches Gas. Betreiben Sie das Gerät nicht in geschlossenen Räumen.
- (Abb. 20) Betreiben Sie das Gerät nicht in geschlossenen Räumen.
- (Abb. 21) Explosionsgefahr.
- (Abb. 22) Heiße Oberfläche
- (Abb. 23) Der Motor wird ohne Öl ausgeliefert.
- (Abb. 24) Befüllen Sie das Gerät vor Verwendung mit Öl.
- (Abb. 25) Verwenden Sie keinen E85-Kraftstoff.
- (Abb. 26) Halten Sie das Gerät von offenem Feuer fern.
- (Abb. 27) Scanbarer Code.

Hinweis: Andere Symbole/Aufkleber auf dem Gerät beziehen sich auf marktspezifische rechtliche Anforderungen.

Emissionen nach Euro V



WARNUNG: Bei jeglichen Manipulationen des Motors erlischt die EU-Typgenehmigung für dieses Produkt.

Produkthaftung

Im Sinne der Produkthaftungsgesetze übernehmen wir keine Haftung für Schäden, die unser Gerät verursacht, wenn...

- das Gerät nicht ordnungsgemäß repariert wird.
- das Gerät mit Teilen repariert wird, die nicht vom Hersteller stammen oder nicht vom Hersteller zugelassen sind.
- ein Zubehörteil mit dem Gerät verwendet wird, das nicht vom Hersteller stammt oder nicht vom Hersteller zugelassen ist.
- das Gerät nicht bei einem zugelassenen Service Center oder von einem zugelassenen Fachmann repariert wird.

Sicherheit

Sicherheitsdefinitionen

Warnungen, Vorsichtsmaßnahmen und Hinweise werden verwendet, um auf besonders wichtige Teile der Bedienungsanleitung hinzuweisen.



WARNUNG: Wird verwendet, wenn bei Nichtbeachtung der Anweisungen in diesem Handbuch die Gefahr von Verletzung oder Tod des Bedieners oder anderer Personen besteht.



ACHTUNG: Wird verwendet, wenn bei Nichtbeachtung der Anweisungen in diesem Handbuch die Gefahr von Schäden am Gerät, an anderen Materialien oder in der Umgebung besteht.

Hinweis: Für weitere Informationen, die in bestimmten Situationen nötig sind.

Allgemeine Sicherheitshinweise



WARNUNG: Lesen Sie die folgenden Warnhinweise, bevor Sie das Gerät benutzen.

- Dieses Gerät ist gefährlich, wenn es falsch bedient wird oder Sie unvorsichtig sind. Wenn die Sicherheitshinweise nicht befolgt werden, kann dies zu Verletzungen oder zum Tod führen.
- Dieses Gerät erzeugt beim Betrieb ein elektromagnetisches Feld. Dieses Feld kann sich unter bestimmten Bedingungen auf die Funktionsweise aktiver oder passiver medizinischer Implantate auswirken. Um die Gefahr von Situationen, die zu schweren oder tödlichen Verletzungen führen können, zu reduzieren, sollten Personen mit einem medizinischen Implantat vor der Nutzung dieses Geräts ihren Arzt und den Hersteller des Implantats konsultieren.
- Lassen Sie immer Vorsicht walten, und arbeiten Sie mit gesundem Menschenverstand. Wenn Sie sich nicht sicher sind, wie das Gerät in einer bestimmten Situation zu bedienen ist, unterbrechen Sie die Arbeit und wenden sich an Ihren Husqvarna Händler, bevor Sie fortfahren.
- Denken Sie daran, dass der Bediener für Unfälle mit anderen Personen oder deren Eigentum verantwortlich ist.
- Halten Sie das Gerät sauber. Stellen Sie sicher, dass Symbole und Aufkleber deutlich lesbar sind.
- Lassen Sie keine andere Person das Gerät verwenden, es sei denn, Sie haben sich zuvor vergewissert, dass diese Person den Inhalt der Bedienungsanleitung gelesen und verstanden hat.
- Lassen Sie nicht zu, dass Kinder das Gerät verwenden.
- Halten Sie Kinder vom Arbeitsbereich fern. Es muss immer ein verantwortlicher Erwachsener anwesend sein.
- Erlauben Sie nicht, dass Personen ohne Kenntnis der Anweisungen das Gerät bedienen.
- Stellen Sie sicher, dass Personen mit verminderter physischer oder psychischer Leistungsfähigkeit dieses Gerät nicht unbeobachtet verwenden. Es muss immer ein verantwortlicher Erwachsener anwesend sein.
- Verwenden Sie das Gerät nicht, wenn Sie müde oder krank sind oder unter Einfluss von Alkohol, Drogen oder Medikamenten stehen. Dies wirkt sich negativ auf Ihre Sehkraft, Ihre Aufmerksamkeit sowie Ihr Koordinations- und Urteilsvermögen aus.
- Verwenden Sie das Gerät nicht, wenn es defekt ist.
- Verändern oder verwenden Sie dieses Gerät nicht, wenn die Möglichkeit besteht, dass andere es verändert haben.
- Nehmen Sie keine Änderungen an der Einstellung der Motordrehzahlregelung vor.

Sicherheit im Arbeitsbereich



WARNUNG: Lesen Sie die folgenden Warnhinweise, bevor Sie das Gerät benutzen.

- Entfernen Sie Gegenstände wie Äste, Zweige und Steine aus dem Arbeitsbereich, bevor Sie das Produkt verwenden.
- Gegenstände, die auf die Schneid-ausrüstung treffen, können herausgeschleudert werden und Personen und Gegenständen Schaden zufügen. Halten Sie andere Personen und Tiere in einem sicheren Abstand zum Produkt.
- Benutzen Sie das Produkt niemals bei schlechtem Wetter wie Nebel, Regen, starkem Wind, intensiver Kälte und bei der Gefahr eines Blitzeinschlags. Die Verwendung des Produkts bei schlechtem Wetter oder an feuchten oder nassen Stellen ist anstrengend. Schlechtes Wetter kann gefährliche Zustände wie rutschige Oberflächen verursachen.
- Achten Sie auf Personen, Gegenstände und Situationen, die einen sicheren Betrieb des Produkts verhindern könnten.
- Achten Sie auf Hindernisse wie Wurzeln, Steine, Zweige, Löcher und Gräben. Langes Gras kann Hindernisse verdecken.
- Das Mähen von Gras an Steigungen kann gefährlich sein. Verwenden Sie das Produkt nicht in einem Gelände mit einer Neigung von mehr als 15°.
- Betreiben Sie das Produkt quer zum Hang. Bewegen Sie sich nicht nach oben und nach unten.
- Seien Sie vorsichtig, wenn Sie um versteckte Ecken oder Objekte herum fahren, die Ihre freie Sicht verhindern.

Arbeitssicherheit



WARNUNG: Lesen Sie die folgenden Warnhinweise, bevor Sie das Gerät benutzen.

- Verwenden Sie dieses Produkt nur zum Mähen von Rasenflächen. Es ist nicht erlaubt, das Produkt für andere Aufgaben zu verwenden.
- Benutzen Sie eine persönliche Schutzausrüstung. Siehe *Persönliche Schutzausrüstung auf Seite 66*.
- Stellen Sie sicher, dass Sie wissen, wie der Motor in einem Notfall schnell gestoppt werden kann.
- Starten Sie den Motor niemals in einem geschlossenen Raum oder in der Nähe von brennbarem Material. Die Motorabgase sind heiß und können Funken enthalten, die einen Brand verursachen können.
- Starten Sie das Produkt nicht, bevor die Klinge und alle Abdeckungen korrekt befestigt sind. Eine falsch befestigte Klinge kann sich lösen und Personenschaden verursachen.

- Stellen Sie sicher, dass die Klinge nicht auf Gegenstände wie Steine und Wurzeln trifft. Dies kann die Klinge beschädigen und die Motorwelle verbiegen. Eine verbogene Achse führt zu starken Vibrationen und birgt ein hohes Risiko, dass die Klinge sich löst.
- Wenn die Klinge auf ein Objektiv trifft oder Vibrationen auftreten, müssen Sie das Produkt sofort abstellen. Ziehen Sie das Zündkabel von der Zündkerze ab. Untersuchen Sie das Produkt auf beschädigte Teile. Reparieren Sie Schäden oder lassen Sie einen autorisierten Kundendienst die Reparatur durchführen.
- Befestigen Sie die Motorbremse niemals fest am Griff, wenn der Motor läuft.
- Stellen Sie das Produkt auf eine stabile, flache Oberfläche und starten Sie es. Stellen Sie sicher, dass die Klinge nicht den Boden oder ein anderes Objekt berührt.
- Bleiben Sie immer hinter dem Produkt, wenn Sie es betreiben.
- Lassen Sie alle Räder auf dem Boden bleiben und halten Sie den Griff mit 2 Händen, wenn Sie das Produkt betreiben. Halten Sie Hände und Füße von den rotierenden Rasenmäherklingen fern.
- Kippen Sie das Produkt nicht, wenn der Motor läuft.
- Seien Sie vorsichtig, wenn Sie das Produkt nach hinten ziehen.
- Heben Sie das Produkt nicht hoch, wenn der Motor läuft. Wenn Sie das Produkt anheben müssen, schalten Sie zunächst den Motor aus und ziehen Sie das Zündkabel von der Zündkerze ab.
- Gehen Sie nicht rückwärts, wenn Sie das Produkt betreiben.
- Stellen Sie den Motor ab, wenn Sie sich über Bereiche ohne Gras bewegen, zum Beispiel Wege aus Kies, Stein und Asphalt.
- Rennen Sie nicht mit dem Produkt, wenn der Motor läuft. Gehen Sie immer, wenn Sie das Produkt benutzen.
- Stellen Sie den Motor ab, bevor Sie die Schnitthöhe verändern. Verändern Sie die Einstellungen niemals, wenn der Motor läuft.
- Lassen Sie das Produkt niemals aus den Augen, wenn der Motor läuft. Stellen Sie den Motor ab und stellen Sie sicher, dass sich die Schneidausrüstung nicht dreht.

und Schäden bei einem Unfall. Lassen Sie sich von Ihrem Händler bei der Auswahl der richtigen Ausrüstung unterstützen.

- Tragen Sie einen Gehörschutz, wenn der Geräuschpegel höher als 85 dB ist
- Tragen Sie rutschfeste Sicherheitsstiefel oder -schuhe. Verwenden Sie keine offenen Schuhe, und gehen Sie nicht barfuß.
- Tragen Sie schwere, lange Hosen.
- Tragen Sie bei Bedarf Schutzhandschuhe, beispielsweise bei der Montage, der Untersuchung oder der Reinigung der Schneidausrüstung.

Sicherheitsvorrichtungen am Gerät



WARNUNG: Lesen Sie die folgenden Warnhinweise, bevor Sie das Gerät verwenden.

- Verwenden Sie kein Gerät mit Sicherheitsvorrichtungen, die beschädigt sind oder nicht ordnungsgemäß funktionieren.
- Führen Sie regelmäßig eine Überprüfung der Sicherheitsvorrichtungen durch. Wenn die Sicherheitsvorrichtungen beschädigt sind oder nicht ordnungsgemäß funktionieren, wenden Sie sich an den Kundendienst von Husqvarna.
- Führen Sie keine Änderungen an den Sicherheitsvorrichtungen durch.

So überprüfen Sie den Schneidschutz

Der Schneidschutz verringert Vibrationen im Gerät und das Verletzungsrisiko durch die Klinge.

- Untersuchen Sie die Schneidewerkabdeckung, um sicherzustellen, dass es keine Beschädigungen wie zum Beispiel Risse gibt.

So führen Sie eine Prüfung des Motorbremshhebels durch (LC 551SP, LC 551VQ)

Der Motorbremshgriff stoppt den Motor. Wenn der Motorbremshgriff losgelassen wird, stoppt der Motor.

- Starten Sie den Motor, und lassen Sie den Motorbremshgriff los. Wenn der Motor nicht innerhalb von 3 Sekunden stoppt, lassen Sie die Motorbremse von einer autorisierten Husqvarna-Servicewerkstatt einstellen. (Abb. 28)

So führen Sie eine Prüfung des Klängenbremshhebels und der Startsperr (LC 551VBP) durch

Der Klängenbremshhebel stoppt nur die Klinge und nicht den Motor. Wenn der Klängenbremshhebel losgelassen wird, stoppt die Klinge.

1. Starten Sie den Motor.
2. Drücken Sie den Klängenbremshhebel in Richtung des Lenkers. Die Startsperr stoppt die Bewegung.
3. Drücken Sie die Startsperr heraus.

Sicherheitshinweise für den Betrieb

Persönliche Schutzausrüstung



WARNUNG: Lesen Sie die folgenden Warnhinweise, bevor Sie das Gerät benutzen.

- Die persönliche Schutzausrüstung kann Verletzungen nicht vollständig vermeiden, vermindert aber den Umfang der Verletzungen

4. Drücken Sie den Klingenbremshebel in Richtung des Lenkers. Die Klinge beginnt zu rotieren.
 5. Lassen Sie den Klingenbremshebel los. Wenn die Klinge nicht innerhalb von 3 Sekunden stoppt, lassen Sie die Klingenbremse in einer zugelassenen Servicewerkstatt Husqvarna richtig einstellen. (Abb. 29)
 6. Stellen Sie sicher, dass die Startsperrung in ihre Ausgangsstellung zurückgeht.
- Rauchen Sie nicht in der Nähe des Kraftstoffs oder des Motors.
 - Stellen Sie keine heißen Gegenstände in der Nähe des Kraftstoffs oder Motors ab.
 - Füllen Sie keinen Kraftstoff nach, während der Motor läuft.
 - Vergewissern Sie sich, dass der Motor abgekühlt ist, bevor Sie Kraftstoff nachfüllen.
 - Öffnen Sie vor dem Nachfüllen den Tankdeckel langsam und lassen Sie den Druck vorsichtig entweichen.
 - Füllen Sie keinen Kraftstoff in den Motor, wenn Sie sich in einem Innenraum befinden. Eine mangelhafte Luftzirkulation kann zu schweren oder tödlichen Verletzungen durch Erstickung oder eine Kohlenmonoxidvergiftung führen.
 - Schrauben Sie den Kraftstofftankdeckel fest zu. Wenn der Tankverschluss nicht fest zugeschraubt ist, besteht Feuergefahr.
 - Bewegen Sie das Produkt vor dem Starten mindestens 3 m von der Stelle fort, an der Sie den Tank befüllt hatten.
 - Füllen Sie den Kraftstofftank nicht vollständig auf. Durch Hitze dehnt sich der Kraftstoff aus. Lassen Sie deshalb einen Freiraum im oberen Bereich des Kraftstofftanks.

Schalldämpfer

Der Schalldämpfer senkt den Geräuschpegel so weit wie möglich und hält die Abgase des Motors vom Anwender fern.

Verwenden Sie das Gerät nicht, wenn der Schalldämpfer fehlt oder defekt ist. Ein defekter Schalldämpfer erhöht den Geräuschpegel und die Brandgefahr.



WARNUNG: Der Schalldämpfer wird während und nach Gebrauch und wenn der Motor im Leerlauf läuft, sehr heiß. Seien Sie in der Nähe von entzündlichen Materialien und/oder Dämpfen besonders vorsichtig, um Brandgefahr zu verhindern.

So prüfen Sie den Schalldämpfer

- Überprüfen Sie den Schalldämpfer regelmäßig, um sicherzustellen, dass er richtig angebracht und nicht beschädigt ist.

Sicherer Umgang mit Kraftstoff



WARNUNG: Lesen Sie die folgenden Warnhinweise, bevor Sie das Gerät benutzen.

- Starten Sie das Gerät nicht, wenn sich Kraftstoff oder Öl darauf befindet. Entfernen Sie den unerwünschten Kraftstoff bzw. das Öl und lassen Sie das Gerät trocknen.
 - Wechseln Sie sofort die Kleidung, wenn Sie Kraftstoff darauf verschütten.
 - Lassen Sie keinen Kraftstoff auf Ihren Körper gelangen, denn dies kann zu Verletzungen führen. Wenn Kraftstoff auf Ihre Haut gelangt, waschen Sie diesen mit Wasser und Seife ab.
 - Starten Sie das Gerät nicht, wenn der Motor undicht ist. Überprüfen Sie den Motor regelmäßig auf Undichtigkeiten.
 - Gehen Sie vorsichtig mit Kraftstoff um. Kraftstoff ist feuergefährlich, und die Dämpfe sind explosiv und können zu Verletzungen oder sogar zum Tod führen.
 - Atmen Sie die Kraftstoffdämpfe nicht ein, denn sie sind gesundheitsschädigend. Achten Sie auf ausreichende Belüftung.
- Die Abgase des Motors enthalten Kohlenmonoxid, ein geruchloses, giftiges und sehr gefährliches Gas. Starten Sie den Motor nicht in Innenräumen oder in geschlossenen Räumen.
 - Bevor Sie an dem Produkt eine Wartung durchführen, schalten Sie den Motor aus und ziehen Sie das Zündkabel von der Zündkerze ab.
 - Tragen Sie Schutzhandschuhe, wenn Sie an der Schneidausrüstung eine Wartung durchführen. Die Klinge ist sehr scharf und man schneidet sich sehr leicht.
 - Zubehörteile und Änderungen am Produkt, die vom Hersteller nicht genehmigt wurden, können zu schweren Verletzungen oder zum Tod führen. Verändern Sie das Produkt nicht. Verwenden Sie immer Teile, die vom Hersteller genehmigt wurden.
 - Wenn die Wartung nicht ordnungsgemäß und regelmäßig erfolgt, erhöht sich die Verletzungsgefahr und das Risiko für eine Beschädigung des Produkts.
 - Führen Sie die Wartung nur gemäß dieser Betriebsanleitung durch. Alle anderen Wartungsarbeiten müssen von einer autorisierten Husqvarna Servicewerkstatt durchgeführt werden.
 - Lassen Sie eine autorisierte Husqvarna Servicewerkstatt das Produkt regelmäßig warten.



WARNUNG: Lesen Sie die folgenden Warnhinweise, bevor Sie das Gerät benutzen.

- Ersetzen Sie beschädigte, abgenutzte oder defekte Teile.

Montage

Einleitung



WARNUNG: Vor dem Betrieb des Gerätes müssen Sie die Sicherheitsinformationen lesen und verstehen.



WARNUNG: Ziehen Sie den Zündkerzenstecker von der Zündkerze ab, bevor Sie das Gerät zusammenbauen.

So montieren Sie den Griff

1. Lösen Sie die unteren Drehknöpfe auf der linken und der rechten Seite des Geräts. Stellen Sie sicher, dass sich die Kunststoffscheibe in der Aussparung im Hebelhalter befindet. (Abb. 30)
2. Montieren Sie den Griff nach vorn geklappt, wie in der Abbildung gezeigt. (Abb. 31)
 - a) Stellen Sie sicher, dass sich die Kunststoffscheibe zwischen dem Hebel und dem Hebelhalter befindet.
 - b) Bringen Sie den Griff am Hebelhalter an.
3. Heben Sie den Griff nach oben an. (Abb. 32)
4. Ziehen Sie die Knöpfe vollständig fest. Zum Einstellen der Griffhöhe siehe *So stellen Sie die Handgriffhöhe ein auf Seite 68*.
5. Setzen Sie die Kabel in die Kabelklemmen. Stellen Sie sicher, dass die Kabel nicht verdreht sind. Bringen Sie die Kabelklemmen am Griff an. (Abb. 33)
6. Verwenden Sie einen Kabelbinder, um die Kabel am Hebelhalter anzubringen. (Abb. 34)

So stellen Sie die Handgriffhöhe ein

1. Lösen Sie die unteren Knöpfe.
2. Schieben Sie die Knöpfe ans untere Ende der Nuten an der linken und rechten Seite des Geräts. (Abb. 35)
3. Stellen Sie die Griffhöhe auf eine der beiden möglichen Positionen ein.
4. Bewegen Sie die Drehknöpfe nach oben in Richtung des Griffs, bis sie den Anschlag erreichen und ein Klicken zu hören ist. (Abb. 36)
5. Ziehen Sie die Knöpfe vollständig fest.

So bringen Sie das Gerät in die Transportposition

1. Entfernen Sie den Grasfänger.

2. Lösen Sie die unteren Knöpfe.
3. Schieben Sie die Knöpfe ans untere Ende der Nuten an der linken und rechten Seite des Geräts. (Abb. 35)
4. Klappen Sie den Griff nach vorn. (Abb. 37)

Gerät in Betriebsposition bringen

1. Heben Sie den Handgriff nach oben an. (Abb. 32)
2. Bewegen Sie die Drehknöpfe nach oben in Richtung des Griffs, bis sie den Anschlag erreichen und ein Klicken zu hören ist. (Abb. 36)
3. Ziehen Sie die Knöpfe vollständig fest.

So montieren Sie den Grasfänger

1. Befestigen Sie den Rahmen des Grasfängers am Fangbeutel, sodass der starre Teil des Beutels nach unten weist. Halten Sie den Griff des Rahmens am oberen Ende des Fangbeutels fest. (Abb. 38)
2. Bringen Sie die Unterseite des Grasfänger-Rahmens an der Unterseite des Fangbeutels an. (Abb. 39)
 - a) Drücken Sie den Grasfänger-Rahmen in die Nut. Beginnen Sie an der rechten Seite wie in der Abbildung gezeigt und gehen Sie langsam nach links.
3. Wenn der Grasfänger-Rahmen sich nicht leicht anbringen lässt, schlagen Sie mit einem Gummihammer vorsichtig auf den Grasfänger-Rahmen. Schlagen Sie zwischen den Armierungen auf den Grasfänger-Rahmen. (Abb. 40)
4. Befestigen Sie den Fangbeutel mit den Klemmen am Rahmen des Grasfängers. (Abb. 41)
5. Heben Sie die hintere Abdeckung an.
6. Befestigen Sie den Grasfänger an der Oberkante des Chassis.
7. Setzen Sie den unteren Teil des Grasfängers in den Gasaustrittskanal. (Abb. 42)

Montage des Mulcheinsatzes (Zubehör)

1. Heben Sie die hintere Abdeckung an, und entfernen Sie den Grasfänger.
2. Setzen Sie den Mulcheinsatz in den Austrittskanal. (Abb. 43)
3. Ersetzen Sie das Messer mit der Mulchklinge, die mit dem Mulchsatz geliefert wird. Siehe *So tauschen Sie die Klinge aus auf Seite 72*.

So mähen Sie ohne Grasfänger oder Mulcheinsatz

- Heben Sie die hintere Abdeckung an, und entfernen Sie den Grasfänger.
- Wenn ein Mulcheinsatz und eine Mulchklinge angebracht sind, entfernen Sie diese.

- Schließen Sie die hintere Abdeckung, bevor Sie das Produkt verwenden.

Wenn Sie das Produkt verwenden, entlädt sich das Gras unter der hinteren Abdeckung.

Betrieb

Einleitung



WARNUNG: Vor dem Betrieb des Gerätes müssen Sie die Sicherheitsinformationen lesen und verstehen.

Husqvarna Connect

Husqvarna Connect ist eine kostenlose App für Ihr Mobilgerät. Die Husqvarna Connect App bietet erweiterte Funktionen für Ihr Gerät:

- Erweiterte Produktinformationen
- Informationen über Produktteile und -wartung sowie entsprechende Hilfe dazu.

So verwenden Sie Husqvarna Connect

1. Laden Sie die Husqvarna Connect App auf Ihr Mobiltelefon.
2. Anmeldung bei der Husqvarna Connect App.
3. Befolgen Sie die Anweisungen in der Husqvarna Connect App, um sich zu verbinden und das Gerät zu registrieren.

Bevor Sie das Produkt in Betrieb nehmen

1. Lesen Sie die Bedienungsanleitung sorgfältig durch, und vergewissern Sie sich, dass Sie die Anweisungen verstehen.
2. Untersuchen Sie die Schneidausrüstung, um sicherzustellen, dass sie ordnungsgemäß befestigt und eingestellt ist. Siehe *So prüfen Sie die Schneidausrüstung auf Seite 71*.
3. Füllen Sie es in den Kraftstofftank. Siehe *So füllen Sie Kraftstoff ein auf Seite 69*.
4. Füllen Sie den Öltank, und überprüfen Sie den Ölstand. Siehe *So prüfen Sie den Ölstand auf Seite 72*.

So füllen Sie Kraftstoff ein

Falls vorhanden, verwenden Sie schadstoffarmes Benzin/Alkylatbenzin. Wenn schadstoffarmes Benzin/Alkylatbenzin nicht verfügbar ist, verwenden Sie ein qualitativ hochwertiges, bleifreies Benzin oder verbleites Benzin mit einer Oktanzahl von mindestens 90.



ACHTUNG: Verwenden Sie kein Benzin mit einer geringeren Oktanzahl als 90 RON (87 AKI). Dadurch kann das Gerät beschädigt werden.

1. Öffnen Sie den Tankdeckel langsam, damit der Druck entweichen kann.
2. Füllen Sie langsam mit einem Kraftstoffkanister auf. Wenn Sie Kraftstoff verschütten, entfernen Sie ihn mit einem Tuch und lassen Sie den verbleibenden Treibstoff trocknen. (Abb. 44)
3. Säubern Sie den Bereich um den Tankdeckel herum.
4. Schrauben Sie den Kraftstofftankdeckel fest zu. Wenn der Tankdeckel nicht fest zugeschraubt ist, besteht Feuergefahr.
5. Bewegen Sie das Gerät vor dem Starten mindestens 3 m (10 ft) von der Stelle fort, an der Sie den Tank befüllt hatten.

So stellen Sie die Schnitthöhe ein

Die Schnitthöhe lässt sich in 6 Stufen einstellen.

1. Drücken Sie den Schnitthöhenhebel in Richtung des Rades und dann nach hinten, um die Schnitthöhe zu vergrößern.
2. Drücken Sie den Schnitthöhenhebel in Richtung des Rades und dann nach vorn, um die Schnitthöhe zu verringern. (Abb. 45)



ACHTUNG: Stellen Sie die Schnitthöhe nicht zu niedrig ein. Die Klingen können auf den Boden treffen, wenn die Oberfläche des Rasens nicht eben ist.

So starten Sie das Gerät (LC 551VQ)

1. Stellen Sie sicher, dass das Zündkabel mit der Zündkerze verbunden ist.
2. Halten Sie sich immer hinter dem Gerät auf.
3. Halten Sie den Motorbremsgriff gegen den Lenker. (Abb. 46)
4. Ziehen Sie den Griff am Starterseilhandgriff mit Ihrer rechten Hand.
5. Ziehen Sie langsam das Startseil, bis Sie etwas Widerstand spüren.

6. Ziehen Sie kräftig, um den Motor anzulassen.

So starten Sie das Gerät (LC 551SP, LC 551VBP)

1. Stellen Sie sicher, dass das Zündkabel mit der Zündkerze verbunden ist.
2. Bleiben Sie hinter dem Produkt.
3. Stellen Sie den Gashebel ein.
 - a) Bringen Sie, wenn der Motor kalt ist, den Gashebel in die Choke-Lage. (Abb. 47)
 - b) Bringen Sie den Gashebel, wenn der Motor kalt ist, nicht die Choke-Lage.
4. Halten Sie bei Modell LC 551SP den Motorbremshebel gegen den Lenker. (Abb. 46)
5. Ziehen Sie den Griff am Starterseilhandgriff mit Ihrer rechten Hand.
6. Ziehen Sie langsam das Starterseil, bis Sie etwas Widerstand spüren.
7. Kräftig ziehen, um den Motor anzulassen.
8. Gashebel auf Vollgas stellen.
9. Bei Modell LC 551VBP:
 - a) Lassen Sie die Startsperrle los.
 - b) Ziehen Sie den Messerbremsenhebel in Richtung des Lenkers, um die Messer zu starten.

So treiben Sie die Räder an

- Ziehen Sie den Antriebsgriff in die Richtung des Lenkers. (Abb. 48)
- Für Modell LC 551VQ und Modell LC 551VBP: Stellen Sie die Drehzahl mit dem Drehzahlregler auf der linken Seite des Griffs ein. Bewegen Sie den Drehzahlregelungshebel nach vorn, um die Drehzahl zu erhöhen und nach hinten, um die Drehzahl zu verringern. (Abb. 49)
- Bevor Sie das Gerät nach hinten ziehen, kuppeln Sie den Antrieb aus und schieben das Gerät ca. 10 cm nach vorne.

- Lassen Sie den Antriebsgriff los, um den Antrieb auszuschalten, z. B., wenn Sie sich in die Nähe eines Hindernisses bewegen.

So stoppen Sie das Gerät (LC 551SP, LC 551VQ)

- Um nur den Antrieb zu stoppen, lassen Sie den Antriebsgriff los.
- Um den Motor zu stoppen, lassen Sie den Motorbremsgriff los.

So stoppen Sie das Gerät (LC 551VBP)

- Um nur den Antrieb zu stoppen, lassen Sie den Antriebsgriff los.
- Um den Motor zu stoppen, bringen Sie den Gashebel in die Stopp-Position.

So erhalten Sie ein gutes Arbeitsergebnis

- Benutzen Sie immer eine scharfe Klinge. Eine stumpfe Klinge liefert ein unregelmäßiges Ergebnis, und die Schnittfläche des Grases wird gelb. Eine scharfe Klinge verbraucht außerdem weniger Energie als eine stumpfe Klinge.
- Schneiden Sie nicht mehr als $\frac{1}{4}$ der Länge des Grases ab. Mähen Sie zuerst mit einer hohen Schnitthöhe. Überprüfen Sie das Ergebnis, und senken Sie die Schnitthöhe auf eine entsprechende Stufe. Wenn das Gras sehr lang ist, fahren Sie langsam und mähen bei Bedarf 2-mal.
- Mähen Sie bei jedem Mal in eine andere Richtung, um Streifen auf dem Rasen zu vermeiden.
- Halten Sie die Schneidwerkabdeckung sauber. Ansammlungen von Gras und Schmutz auf der Innenseite der Schneidwerkabdeckung können das Schneidergebnis beeinträchtigen. Siehe *So reinigen Sie die Innenseite der Schneidwerkabdeckung auf Seite 71*.

Wartung

Einleitung



WARNUNG: Bevor Sie eine Wartung durchführen, müssen Sie das Kapitel über die Sicherheit lesen und verstehen.

Für alle Wartungs- und Reparaturarbeiten am Produkt ist eine spezielle Schulung erforderlich. Wir garantieren die Verfügbarkeit von professionellen Reparaturen und Wartungsarbeiten. Wenn Ihr Händler keine Servicewerkstatt ist, sprechen Sie mit ihm, um Informationen über die nächste Servicewerkstatt zu erhalten.

Genauere Informationen finden Sie unter www.husqvarna.com.

Wartungsplan



ACHTUNG: Stellen Sie sicher, dass der Luftfilter nach oben und nicht zum Boden hin ausgerichtet ist, wenn Sie das Gerät schräg stellen. Risiko von Motorschäden.

Die Wartungsintervalle werden anhand der täglichen Nutzung des Geräts berechnet. Die Intervalle ändern sich, wenn das Gerät nicht täglich verwendet wird.

Für Wartungsarbeiten, die mit * gekennzeichnet sind, siehe Anweisungen unter *Sicherheitsvorrichtungen am Gerät* auf Seite 66.

Instand halten	Täglich	Wöchentlich	Monatlich
Eine allgemeine Inspektion durchführen	X		
Den Ölstand prüfen	X		
Das Gerät reinigen	X		
Die Schneidausrüstung prüfen	X		
Die Schneidwerkabdeckung prüfen *	X		
Den Motorbremsgriff prüfen * LC 551SP, LC 551VQ	X		
Den Klängenbremshebel prüfen* LC 551VBP	X		
Den Schalldämpfer prüfen *		X	
Die Zündkerze prüfen		X	
Das Öl wechseln (erstmalig nach 5 Betriebsstunden, danach alle 50 Betriebsstunden und jährlich)			X
Den Luftfilter reinigen oder ersetzen			X
Den Kraftstofffilter prüfen			X

So führen Sie eine allgemeine Inspektion durch

- Stellen Sie sicher, dass alle Muttern und Schrauben am Gerät richtig angezogen sind.

So reinigen Sie das Gerät

- Reinigen Sie Kunststoffteile mit einem sauberen und trockenen Tuch.
- Verwenden Sie kein Wasser zur Reinigung des Geräts. Wasser kann in den Akku oder den Motor eindringen und einen Kurzschluss oder andere Schäden am Gerät verursachen.
- Reinigen Sie das Gerät nicht mit einem Hochdruckreiniger.
- Lassen Sie kein Wasser direkt auf den Motor gelangen.
- Verwenden Sie einen Pinsel, um Blätter, Gras und Schmutz zu entfernen.
- Entfernen Sie den Kupplungsdeckel, und verwenden Sie eine Bürste, um Gras unter dem Kupplungsdeckel zu entfernen. (LC 551VBP)

So reinigen Sie die Innenseite der Schneidwerkabdeckung

1. Leeren Sie den Kraftstofftank.
2. Legen Sie das Produkt mit dem Schalldämpfer nach unten auf die Seite.



ACHTUNG: Wenn das Produkt mit dem Luftfilter nach unten gelegt wird, kann der Motor beschädigt werden.

3. Spritzen Sie die Innenfläche der Schneidwerkabdeckung mit dem Wasserschlauch ab.

So prüfen Sie die Schneidausrüstung



WARNUNG: Um ein unbeabsichtigtes Starten zu vermeiden, entfernen Sie das Zündkabel von der Zündkerze.



WARNUNG: Tragen Sie Schutzhandschuhe, wenn Sie an der Schneidausrüstung eine Wartung durchführen. Die Klinge ist sehr scharf und man schneidet sich sehr leicht.

1. Prüfen Sie die Schneidausrüstung auf Beschädigungen oder Risse. Wechseln Sie eine beschädigte Schneidausrüstung unbedingt aus.
2. Schauen Sie sich die Klinge an, um festzustellen, ob sie beschädigt oder stumpf ist.

Hinweis: Nach dem Schärfen muss die Klinge ausbalanciert werden. Lassen Sie eine Servicewerkstatt die Klinge schärfen, ersetzen und ausbalancieren. Wenn Sie auf ein Hindernis treffen, das das Produkt zum

Halten bringt, ersetzen Sie die beschädigte Klinge. Lassen Sie die Werkstatt beurteilen, ob die Klinge geschliffen werden kann oder ersetzt werden muss.

So tauschen Sie die Klinge aus

1. Arretieren Sie die Klinge mit einem Holzblock. (Abb. 50)
2. Entfernen Sie den Bolzen der Klinge.
3. Entfernen Sie die Klinge.
4. Überprüfen Sie die Klingenthalterung und die Klingenschraube auf Beschädigungen.
5. Prüfen Sie die Motorwelle, um sicherstellen, dass sie nicht geknickt ist.
6. Wenn Sie die neue Klinge montieren, zeigen die abgewinkelten Enden der Klinge in die Richtung der Schneidwerkabdeckung. (Abb. 51)
7. Stellen Sie sicher, dass die Klinge an der Mitte der Motorwelle ausgerichtet ist.
8. Arretieren Sie die Klinge mit einem Holzblock. (Abb. 52)
9. Montieren Sie die Klinge.
 - a) Bringen Sie die Federscheibe bei Modell LC 551SP, LC 551VQ an, und ziehen Sie die Schraube und die Scheibe mit einem Drehmoment von 70 Nm fest.
 - b) Ziehen Sie die Schrauben bei Modell LC 551VBP mit einem Drehmoment von 50 Nm fest. (Abb. 53)
10. Drehen Sie die Klinge mit der Hand, um sicherzustellen, dass sie sich einwandfrei dreht.



WARNUNG: Tragen Sie Sicherheitshandschuhe. Die Klinge ist sehr scharf, sodass es leicht zu Verletzungen kommen kann.

11. Starten Sie das Gerät, um die Klinge zu prüfen. Wenn die Klinge nicht richtig befestigt ist, gibt es im Gerät Vibrationen, oder das Schneidergebnis ist unbefriedigend.

So prüfen Sie den Ölstand



ACHTUNG: Ein zu niedriger Ölstand kann den Motor beschädigen. Überprüfen Sie den Ölstand, bevor Sie das Gerät starten.

1. Stellen Sie das Gerät auf einer ebenen Fläche ab.
2. Entfernen Sie den Öltankdeckel mit dem beigefügten Messstab.
3. Reinigen Sie den Messstab von Öl.
4. Stecken Sie den Messstab vollständig in den Öltank. Ziehen Sie den Öltankdeckel fest, um ein korrektes Bild des Ölstands zu erhalten.

5. Entfernen Sie den Messstab.
6. Prüfen Sie den Ölstand am Messstab.
7. Wenn der Ölstand zu niedrig ist, füllen Sie Motoröl nach und kontrollieren den Ölstand erneut.

(Abb. 54)

Hinweis: Verwenden Sie einen Trichter, um ein Verschütten zu vermeiden.

So wechseln Sie das Motoröl



WARNUNG: Das Motoröl ist direkt nach dem Abstellen des Motors sehr heiß. Lassen Sie den Motor abkühlen, bevor Sie das Motoröl ablassen. Wenn Motoröl auf Ihre Haut gerät, reinigen Sie diese mit Wasser und Seife.

(Abb. 55)

1. Trennen Sie das Zündkabel von der Zündkerze.
2. Entfernen Sie den Öltankdeckel.
3. Lassen Sie das Motoröl ab.
 - a) Bei Modellen mit Ölablassschraube: Stellen Sie einen Behälter unter die Ölablassschraube, um das Motoröl aufzufangen.
 - b) Bei Modellen ohne Ölablassschraube oder wenn es nicht möglich ist, einen Behälter unter die Ölablassschraube zu stellen: Verwenden Sie eine Ölpumpe (Zubehör), um das Motoröl aus dem Öltank abzulassen.
4. Füllen Sie ein Motoröl des Typs ein, das empfohlen wird unter *Technische Daten auf Seite 74*.
5. Prüfen Sie den Ölstand. Siehe *So prüfen Sie den Ölstand auf Seite 72*.

So füllen und wechseln Sie das Motoröl

- Weitere Informationen zum Auffüllen und Wechseln des Motoröls finden Sie in der Bedienungsanleitung für des Geräts.

So reinigen Sie den Luffilter und ersetzen ihn (LC 5551SP, LC 551VBP)

- Weitere Informationen zum Reinigen und Austauschen des Luffilters finden Sie in der Bedienungsanleitung des Geräts.

So entfernen und installieren Sie den Luffilter (LC 551VQ)



WARNUNG: Tragen Sie stets Schutzhandschuhe.

1. Drücken Sie die Clips am Luftfilterdeckel.
2. Entfernen Sie den Luftfilterdeckel (A) vorsichtig vom Motor.
3. Entfernen Sie den Luftfilter (B) und den Schaumfilter (C). (Abb. 56)
4. Überprüfen Sie den Luftfilter auf Schäden. Ersetzen Sie beschädigte Luftfilter.
5. Reinigen Sie den Luftfilter, und untersuchen sie ihn. Siehe *So reinigen Sie den Luftfilter (LC 551VQ) auf Seite 73*.
6. Die Installation erfolgt in umgekehrter Reihenfolge.

So reinigen Sie den Luftfilter (LC 551VQ)



ACHTUNG: Betreiben Sie den Motor nicht ohne einen Luftfilter oder mit einem verschmutzten Luftfilter.



ACHTUNG: Ersetzen Sie den Luftfilter, wenn er nicht vollständig gereinigt werden kann oder beschädigt ist. Ein defekter Luftfilter führt zu Motorschäden.

1. Drücken Sie die Verriegelungslaschen (A), entfernen Sie den Luftfilterdeckel (B) und anschließend den Luftfilter (C). (Abb. 57)
2. Schlagen Sie den Luftfilter gegen eine harte Oberfläche, oder blasen Sie von der sauberen Seite des Luftfilters Druckluft durch den Luftfilter.



ACHTUNG: Entfernen Sie auf keinen Fall Schmutz mit einer Bürste, denn dabei wird der Schmutz in den Luftfilter gedrückt.

3. Reinigen Sie den Luftfilterhalter (D) und den Luftfilterdeckel mit einem feuchten Tuch.



ACHTUNG: Achten Sie darauf, dass kein Schmutz in den Luftkanal (E) gelangt.

4. Montieren Sie den Luftfilter. Achten Sie darauf, dass der Luftfilter den Luftfilterhalter vollständig abdichtet.
5. Montieren Sie den Luftfilterdeckel mit den unteren Laschen voran.

So überprüfen Sie die Zündkerze



ACHTUNG: Verwenden Sie stets den vom Hersteller empfohlenen

Zündkerzentyp! Die Verwendung eines falschen Zündkerzentyps kann zu Schäden am Gerät führen.

- Überprüfen Sie die Zündkerze, wenn der Motor nur schwache Leistung bringt, sich nur schwer starten lässt oder im Leerlauf nicht ordnungsgemäß funktioniert.
- Wenn Sie diese Anweisungen befolgen, verringern Sie die Gefahr von unerwünschtem Material an den Elektroden der Zündkerze:
 - a) Stellen Sie sicher, dass die Leerlaufdrehzahl richtig eingestellt ist.
 - b) Vergewissern Sie sich, dass das Kraftstoffgemisch korrekt ist.
 - c) Vergewissern Sie sich, dass der Luftfilter sauber ist.
- Ist die Zündkerze verschmutzt, so ist sie zu reinigen; gleichzeitig ist zu prüfen, ob der Elektrodenabstand korrekt ist, siehe *Technische Daten auf Seite 74*. (Abb. 58)
- Tauschen Sie die Zündkerze bei Bedarf aus.

So prüfen Sie die Kraftstoffanlage

- Prüfen Sie den Kraftstofftankdeckel und die Dichtung für den Tankdeckel, um sicherzustellen, dass keine Beschädigungen vorliegen.
- Untersuchen Sie den Kraftstoffschlauch, um sicherzustellen, dass keine undichten Stellen vorhanden sind. Wenn der Schlauch beschädigt ist, lassen Sie ihn durch eine Servicewerkstatt austauschen.

So stellen Sie die Drehzahlregelung und den Gashebel ein

Über die Drehzahlregelung lässt sich die Motordrehzahl einstellen. Der Gashebel regelt die Motordrehzahl.



ACHTUNG: Stellen Sie die Drehzahlregelung nicht ein, während der Motor läuft.

1. Um die Drehzahl einzustellen, drehen Sie an der Einstellschraube (A), um die Länge des Kabelmantels einzustellen. Kürzt die Kabelummantelung, um die Motordrehzahl zu erhöhen.
2. Wenn die Choke-Lage oder die Stopp-Position nicht angeschaltet werden kann, passen Sie die Motordrehzahl an. Drehen Sie die Stellschraube (B). (Abb. 59)

Transport, Lagerung und Entsorgung

Transport und Lagerung

- Für die Lagerung und den Transport des Produkts und des Kraftstoffs ist darauf zu achten, dass keine Lecks oder Dämpfe vorhanden sind. Funken oder offene Flammen, zum Beispiel von elektrischen Geräten oder einem Boiler, können ein Feuer auslösen.
- Verwenden Sie für die Lagerung und den Transport von Kraftstoff immer zugelassene Behälter.
- Leeren Sie den Kraftstofftank, bevor Sie das Produkt über einen längeren Zeitraum einlagern. Entsorgen Sie den Kraftstoff in einer geeigneten Abfallentsorgungsstelle.
- Sichern Sie das Produkt während des Transports ab, um Schäden und Unfälle zu vermeiden.

- Bewahren Sie das Produkt in einem verschlossenen Bereich auf, um einen unerlaubten Zugriff durch Kinder oder andere Personen zu verhindern.
- Bewahren Sie das Produkt an einem trockenen und frostfreien Raum auf.

Entsorgung

- Befolgen Sie die örtlichen Recyclinganforderungen und geltenden Vorschriften.
- Entsorgen Sie alle Chemikalien, z. B. Motoröl oder Kraftstoff, in einer Servicewerkstatt oder in einer geeigneten Abfallentsorgungsstelle.
- Wenn Sie das Produkt nicht mehr benutzen, senden Sie es an einen Husqvarna Händler oder entsorgen Sie es in einer Wiederverwertungsanlage.

Technische Daten

	LC 551SP	LC 551VBP	LC 551VQ
Motor			
Marke	Kawasaki	Kawasaki	Husqvarna
Model	FJ180V	FJ180V	HS 166AP
Motortyp	Einzylinder, 4-Takt, Zwangsluftkühlung, OHV	Einzylinder, 4-Takt, Zwangsluftkühlung, OHV	Einzylinder, 4-Takt, Zwangsluftkühlung, OHV
Hubraum, cm ³	179	179	166
Drehzahl, U/min	2800	2800	2800
Nennleistung des Motors, kW ²¹	2,9	2,9	2,7
Zündanlage			
Zündkerze	NGK BPR5ES	NGK BPR5ES	Husqvarna HQT-7
Elektrodenabstand, mm	0,6-0,8	0,6-0,8	0,7-0,8
Kraftstoff- und Schmiersystem			
Motorschmiertyp	Druck mit Ölfilter	Druck mit Ölfilter	Splash
Füllmenge Kraftstofftank, l	1,9	1,9	1,5
Füllmenge Öltank, Liter	0,7	0,7	0,5

²¹ Die Motornennleistung ist die durchschnittlich nach SAE-Standard J1349/ISO1585 gemessene Nettoleistung eines typischen Motors aus der Produktion, die (bei einer bestimmten Drehzahl) an das Motormodell abgegeben wird. Motoren für die Massenproduktion können von diesem Wert abweichen. Die tatsächliche Ausgangsleistung des eingebauten Motors hängt von der Betriebsdrehzahl, den Umgebungsbedingungen und anderen Werten ab.

	LC 551SP	LC 551VBP	LC 551VQ
Motoröl ²²	Husqvarna SAE 30	Husqvarna SAE 30	Husqvarna SAE 30
Gewicht			
Mit leeren Tanks, kg	48,5	52,5	51,0
Geräuschemissionen ²³			
Schalleistungspegel, gemessen dB (A)	97	96	97
Schalleistungspegel, garantiert L _{WA} dB (A)	98	98	98
Schallpegel ²⁴			
Schalldruckpegel am Ohr des Bedieners, dB (A)	87	84	86
Vibrationspegel ²⁵			
Griff, m/s ²	4,5	4,5	3,2
Schneidrüstung			
Schnitthöhe, mm	26-74	26-74	26-74
Schnittbreite, mm	510	510	510
Klinge	Collect	Collect	Collect
Artikelnummer	5875908-10	5821494-10	5875908-10
Grasfängervolumen, l	65	65	65
Antrieb			
Geschwindigkeit, km/h	4,1	2,8-5	2,8-5

²² Wird SAE-30-Öl bei Temperaturen unter +5 °C verwendet, besteht die Gefahr, dass der Motor nicht ausreichend geschmiert wird. Dadurch können schwere Motorschäden entstehen. Siehe *So wechseln Sie das Motoröl auf Seite 72* für das richtige Öl bei niedrigen Temperaturen

²³ Umweltbelastende Geräuschemissionen, gemessen als Schalleistung (L_{WA}) gemäß EG-Richtlinie 2000/14/EG.

²⁴ Schalldruckpegel gemäß ISO 5395. Berichten zufolge liegt der Schalldruckpegel normalerweise bei einer Ausbreitungsklasse (Standardabweichung) von 1,2 dB (A).

²⁵ Vibrationspegel gemäß ISO 5395. Berichten zufolge liegt der Vibrationspegel normalerweise bei einer Ausbreitungsklasse (Standardabweichung) von 0,2 m/s².

Konformitätserklärung

EU-Konformitätserklärung

Die **Husqvarna AB**, SE-561 82 Huskvarna, Schweden,
Tel.: +46-36-146500, erklärt in alleiniger Verantwortung,
dass das Gerät:

Beschreibung	Rasenmäher
Marke	Husqvarna
Typ/Modell	LC 551SP, LC 551VBP, LC 551VQ
Identifizierung	Seriennummern ab 2022

die folgenden EU-Richtlinien und -Verordnungen erfüllt:

Verordnung	Beschreibung
2006/42/EG	„Maschinenrichtlinie“
2014/30/EG	„EMV-Richtlinie“
2000/14/EG	„über umweltbelastende Geräuschemissionen von zur Verwendung im Freien vorgesehenen Geräten und Maschinen“
2011/65/EG	„zur Beschränkung der Verwendung bestimmter gefährlicher Stoffe in Elektro- und Elektronikgeräten“

und dass die folgenden Normen und/oder technischen
Daten angewendet werden: EN ISO 5395-1:2013/
A1:2018, EN ISO 5395-2:2013/A1:2016/A2:2017, EN
ISO 14982:2009, EN IEC 63000:2018

Benannte Stelle: 0404, RISE SMP Svensk
Maskinprovning AB, Box 4053, SE-904 03 Umeå,
Schweden bestätigt die Konformität mit der Richtlinie
2000/14/EG, Konformitätsbewertungsverfahren nach:
Anhang VI.

Informationen zu Geräuschemissionen finden Sie unter
Technische Daten auf Seite 74.

Huskvarna, 2022-09-29



Claes Losdal, Entwicklungsleiter/Gartenprodukte,
Husqvarna AB

Verantwortlich für die technische Dokumentation



Περιεχόμενα

Εισαγωγή.....	77	Συντήρηση.....	85
Ασφάλεια.....	78	Μεταφορά, αποθήκευση και απόρριψη.....	88
Συναρμολόγηση.....	82	Τεχνικά στοιχεία.....	88
Λειτουργία.....	83	Δήλωση Συμμόρφωσης.....	91

Εισαγωγή

Περιγραφή προϊόντος

Το προϊόν είναι ένα χλοοκοπτικό γκαζόν πεζού χειριστή με κύλινδρο. Το γρασίδι συλλέγεται σε έναν συλλέκτη χόρτου. Αφαιρέστε το συλλέκτη χόρτου για να εξαγάγετε το χόρτο από την πίσω πλευρά. Συνδέστε ένα κιτ κοπής χορτολιπάσματος (αξεσουάρ) για κοπή του γρασιδιού σε λίσασμα.

Επισκόπηση προϊόντος

(Εικ. 1)

1. Λαβή φρένου κινητήρα
2. Λαβή / χειρολαβή
3. Χειριστήριο ταχύτητας
4. Ασφάλεια κίνησης
5. Λαβή κορδονιού συστήματος εκκίνησης
6. Συλλέκτης χόρτου
7. Ρύθμιση ύψους λαβής
8. Χειριστήριο ύψους κοπής

Επισκόπηση προϊόντος

(Εικ. 2)

1. Λαβή / χειρολαβή
2. Σύστημα ελέγχου φρένου λεπίδας (LC 551VBP)
3. Χειριστήριο ταχύτητας / γκαζιού (LC 551VBP)
4. Ασφάλεια οδήγησης (LC 551VBP)
5. Αναστολέας εκκίνησης (LC 551VBP)
6. Λαβή κορδονιού συστήματος εκκίνησης
7. Συλλέκτης χόρτου
8. Ρύθμιση ύψους λαβής
9. Χειριστήριο ύψους κοπής
10. Δείκτης στάθμης / ντεπόζιτο λαδιού
11. Κάλυμμα κοπής
12. Εξάτμιση
13. Μπουζί
14. Φίλτρο αέρα
15. Ντεπόζιτο καυσίμου
16. Πίσω κάλυμμα
17. Λαβή φρένου κινητήρα (LC 551SP)
18. Χειριστήριο γκαζιού (LC 551SP)
19. Ασφάλεια οδήγησης (LC 551SP)
20. Εγχειρίδιο χρήσης

Προβλεπόμενη χρήση

Χρησιμοποιήστε το προϊόν για την κοπή γρασιδιού. Μην χρησιμοποιείτε το προϊόν για άλλες εργασίες.

9. Δείκτης στάθμης / ντεπόζιτο λαδιού
10. Κάλυμμα κοπής
11. Εξάτμιση
12. Μπουζί
13. Φίλτρο αέρα
14. Ντεπόζιτο καυσίμου
15. Πίσω κάλυμμα
16. Εγχειρίδιο χρήσης

Σύμβολα στο προϊόν

- (Εικ. 3) Η απρόσεκτη ή λανθασμένη χρήση μπορεί να προκαλέσει τραυματισμό ή θάνατο του χειριστή και άλλων παρευρισκόμενων.
- (Εικ. 4) Προτού χρησιμοποιήσετε το προϊόν, διαβάστε προσεκτικά το εγχειρίδιο χρήσης και βεβαιωθείτε ότι έχετε κατανοήσει τις οδηγίες.
- (Εικ. 5) Διατηρήστε τα άλλα άτομα και τα ζώα σε απόσταση ασφαλείας από την περιοχή εργασίας.
- (Εικ. 6) Προτού πραγματοποιήσετε οποιαδήποτε εργασία επισκευής ή συντήρησης, σταματήστε τον κινητήρα και αφαιρέστε το καλώδιο ανάφλεξης.
- (Εικ. 7) Λάδι
- (Εικ. 8) Γρήγορα
- (Εικ. 9) Αργά

- (Εικ. 10) Διακοπή λειτουργίας του κινητήρα
- (Εικ. 11) Τσोक
- (Εικ. 12) Συμπλέκτης λεπίδας
- (Εικ. 13) Προσέχετε για αντικείμενα που μπορεί να εκτοξευθούν ή να εξοστρακιστούν.
- (Εικ. 14) Να διατηρείτε τα χέρια και τα πόδια σας μακριά από την περιστρεφόμενη λεπίδα.
- (Εικ. 15) Μην πλησιάζετε τα χέρια και τα πόδια σας σε περιστρεφόμενα εξαρτήματα.
- (Εικ. 16) Αυτό το προϊόν συμμορφώνεται με τις ισχύουσες οδηγίες ΕΥ.
- (Εικ. 17) Αυτό το προϊόν συμμορφώνεται με τις ισχύουσες οδηγίες του Η.Β.
- (Εικ. 18) Ετικέτα εκπομπών θορύβου στο περιβάλλον σύμφωνα με οδηγίες και κανονισμούς της ΕΕ και του Η.Β. και τη νομοθεσία της Νότιας Νέας Ουαλίας "Κανονισμός για την προστασία των περιβαλλοντικών δράσεων (έλεγχος θορύβου) του 2017". Η εγγυημένη στάθμη θορύβου του προϊόντος καθορίζεται στην ενότητα *Τεχνικά στοιχεία στη σελίδα 88* και στην ετικέτα
- (Εικ. 19) Οι αναθυμιάσεις της εξάτμισης από τον κινητήρα περιέχουν μονοξειδίο του άνθρακα, ένα άοσμο, δηλητηριώδες και ιδιαίτερα επικίνδυνο αέριο. Μην χρησιμοποιείτε το προϊόν σε εσωτερικούς ή κλειστούς χώρους.
- (Εικ. 20) Μην χρησιμοποιείτε το προϊόν σε εσωτερικούς ή κλειστούς χώρους.
- (Εικ. 21) Κίνδυνος έκρηξης.

- (Εικ. 22) Θερμή επιφάνεια
- (Εικ. 23) Ο κινητήρας παραδίδεται χωρίς λάδι.
- (Εικ. 24) Προτού χρησιμοποιήσετε το προϊόν, γεμίστε λάδι.
- (Εικ. 25) Μην χρησιμοποιείτε καύσιμα Ε85.
- (Εικ. 26) Φροντίστε το προϊόν να βρίσκεται μακριά από γυμνές φλόγες.
- (Εικ. 27) Κωδικός με δυνατότητα σάρωσης.

Περιεχόμενα Άλλα σύμβολα/σήματα που υπάρχουν στο προϊόν αναφέρονται σε συγκεκριμένες νομικές απαιτήσεις της αγοράς.

Εκπομπές Euro V



ΠΡΟΕΙΔΟΠΟΙΗΣΗ: Οποιαδήποτε μη εξουσιοδοτημένη παρέμβαση στον κινητήρα ακυρώνει την έγκριση τύπου ΕΕ αυτού του προϊόντος.

Ευθύνη προϊόντος

Όπως αναφέρεται στη νομοθεσία περί ευθύνης για τα προϊόντα, δεν φέρουμε καμία ευθύνη για ζημιές που οφείλονται στο προϊόν μας εάν:

- Το προϊόν έχει επισκευαστεί λανθασμένα.
- Το προϊόν έχει επισκευαστεί με εξαρτήματα που δεν προέρχονται από τον κατασκευαστή ή που δεν έχουν εγκριθεί από τον κατασκευαστή.
- Το προϊόν διαθέτει ένα αξεσουάρ που δεν προέρχεται από τον κατασκευαστή ή που δεν έχει εγκριθεί από τον κατασκευαστή.
- Το προϊόν δεν έχει επισκευαστεί σε εγκεκριμένο κέντρο σέρβις ή από εγκεκριμένη αρχή.

Ασφάλεια

Ορισμοί για την ασφάλεια

Για την επισήμανση ειδικών σημαντικών τμημάτων του εγχειριδίου χρησιμοποιούνται προειδοποιήσεις, συστάσεις προσοχής και σημειώσεις.



ΠΡΟΕΙΔΟΠΟΙΗΣΗ: Χρησιμοποιείται όταν υπάρχει κίνδυνος τραυματισμού ή θανάτου του χειριστή ή άλλων παριστάμενων ατόμων, αν δεν τηρηθούν οι οδηγίες που παρέχονται στο εγχειρίδιο.



ΠΡΟΣΟΧΗ: Χρησιμοποιείται όταν υπάρχει κίνδυνος πρόκλησης ζημιάς στο προϊόν, σε άλλα υλικά ή στον παρακείμενο χώρο, αν δεν τηρηθούν οι οδηγίες που παρέχονται στο εγχειρίδιο.

Περιεχόμενα Χρησιμοποιείται για παροχή περισσότερων πληροφοριών, οι οποίες χρειάζονται σε μια δεδομένη κατάσταση.

Γενικές οδηγίες ασφαλείας



ΠΡΟΕΙΔΟΠΟΙΗΣΗ: Προτού χρησιμοποιήσετε το προϊόν, διαβάστε τις παρακάτω προειδοποιητικές οδηγίες.

- Αυτό το προϊόν είναι επικίνδυνο αν δεν χρησιμοποιηθεί σωστά ή αν δεν είστε προσεκτικοί. Αν δεν τηρείτε τις οδηγίες ασφαλείας, μπορεί να προκαλέσει τραυματισμούς ή θάνατος.
- Αυτό το προϊόν παράγει ηλεκτρομαγνητικό πεδίο κατά τη λειτουργία του. Το πεδίο αυτό, υπό ορισμένες συνθήκες, μπορεί να προκαλέσει παρεμβολές σε ενεργά ή παθητικά ιατρικά εμφυτεύματα. Για να μειωθεί ο κίνδυνος σοβαρών ή θανατηφόρων τραυματισμών, συνιστούμε στα άτομα με ιατρικά εμφυτεύματα να συμβουλευθούν το θεράποντα ιατρό τους και τον κατασκευαστή του ιατρικού εμφυτεύματος, προτού θέσουν το προϊόν σε λειτουργία.
- Πρέπει πάντα να προσέχετε και να χρησιμοποιείτε την κοινή λογική. Αν δεν είστε βέβαιοι πώς να χειριστείτε το προϊόν σε μια ιδιαίτερη κατάσταση, σταματήστε και μιλήστε με τον αντιπρόσωπο της Husqvarna προτού συνεχίσετε.
- Πρέπει να θυμάστε ότι ο χειριστής θεωρείται υπεύθυνος για ατυχήματα που μπορεί να προκληθούν σε άλλα άτομα ή στην περιουσία τους.
- Να διατηρείτε το προϊόν καθαρό. Βεβαιωθείτε ότι μπορείτε να διαβάσετε καθαρά τις ενδείξεις και τα σύμβολα.
- Μην επιτρέψετε σε κανένα άτομο να χρησιμοποιήσει το προϊόν αν δεν βεβαιωθείτε ότι έχει διαβάσει και κατανοήσει τα περιεχόμενα του εγχειριδίου χρήσης.
- Μην επιτρέψετε σε παιδιά να χρησιμοποιήσουν το προϊόν.
- Μην αφήνετε να πλησιάσουν παιδιά στην περιοχή εργασίας. Πρέπει να είναι παρών ένας υπεύθυνος ενήλικας ανά πάσα στιγμή.
- Μην επιτρέψετε σε άτομα που δεν έχουν διαβάσει τις οδηγίες να χρησιμοποιήσουν το προϊόν.
- Αν το προϊόν χρησιμοποιείται από ένα άτομο με μειωμένη σωματική ή διανοητική ικανότητα, θα πρέπει πάντα να το επιβλέπετε. Πρέπει να είναι παρών ένας υπεύθυνος ενήλικας ανά πάσα στιγμή.
- Μην χρησιμοποιείτε το προϊόν αν είστε κουρασμένοι, άρρωστοι ή υπό την επήρεια αλκοόλ, ναρκωτικών ή φαρμάκων. Αυτά έχουν αρνητικές συνέπειες στην όραση, την αυτοσυγκέντρωση, τον συντονισμό και την κρίση σας.
- Μην χρησιμοποιείτε το προϊόν αν είναι ελαττωματικό.
- Μην τροποποιείτε το προϊόν και μην το χρησιμοποιείτε αν είναι εμφανές ότι έχει τροποποιηθεί από άλλους.
- Μην αλλάζετε τη ρύθμιση του χειριστήριου στροφών κινητήρα.

Ασφάλεια στο χώρο εργασίας



ΠΡΟΕΙΔΟΠΟΙΗΣΗ: Προτού χρησιμοποιήσετε το προϊόν, διαβάστε τις παρακάτω προειδοποιητικές οδηγίες.

- Αφαιρέστε αντικείμενα όπως κλαδιά, κλωνάρια και πέτρες από την περιοχή εργασίας πριν χρησιμοποιήσετε το προϊόν.
- Τα αντικείμενα που χτυπούν πάνω στον εξοπλισμό κοπής μπορεί να πεταχτούν και να προκαλέσουν ζημιές σε πρόσωπα και αντικείμενα. Να διατηρείτε τους παρευρισκόμενους και τα ζώα σε απόσταση ασφαλείας από το προϊόν.
- Μην χρησιμοποιείτε ποτέ το προϊόν σε κακές καιρικές συνθήκες, όπως ομίχλη, βροχή, ισχυρό άνεμο, έντονο κρύο και κίνδυνο κεραυνού. Η χρήση του προϊόντος σε κακές καιρικές συνθήκες, σε συνθήκες υγρασίας ή σε υγρές τοποθεσίες είναι εξαιρετικά κουραστική. Οι κακές καιρικές συνθήκες μπορεί να προκαλέσουν επικίνδυνες καταστάσεις, όπως ολισθηρές επιφάνειες.
- Να προσέχετε για πρόσωπα, αντικείμενα και καταστάσεις που μπορεί να αποτρέψουν την ασφαλή λειτουργία του προϊόντος.
- Να προσέχετε για εμπόδια, όπως ρίζες, πέτρες, κλωνάρια, λακκούβες και χαντάκια. Το μακρύ γρασίδι μπορεί να κρύβει εμπόδια.
- Η κοπή χόρτου σε πλαγιές μπορεί να είναι επικίνδυνη. Μην χρησιμοποιείτε το προϊόν σε πλαγιές με κλίση πάνω από 15°.
- Να κατευθύνετε το προϊόν κατά πλάτος στις επιφάνειες με κλίση. Να μην μετακινείστε προς τα πάνω και προς τα κάτω.
- Να είστε ιδιαίτερα προσεκτικοί κοντά σε κρυφές γωνίες και αντικείμενα που εμποδίζουν το οπτικό σας πεδίο.

Ασφάλεια στην εργασία



ΠΡΟΕΙΔΟΠΟΙΗΣΗ: Προτού χρησιμοποιήσετε το προϊόν, διαβάστε τις παρακάτω προειδοποιητικές οδηγίες.

- Να χρησιμοποιείτε το προϊόν μόνο για την κοπή χόρτου γκαζόν. Δεν επιτρέπεται η χρήση του για άλλες εργασίες.
- Χρησιμοποιείτε ατομικό προστατευτικό εξοπλισμό. Ανατρέξτε στην ενότητα *Προσωπικός εξοπλισμός προστασίας στη σελίδα 80*.
- Βεβαιωθείτε ότι γνωρίζετε πώς να σταματήσετε τον κινητήρα γρήγορα σε περίπτωση έκτακτης ανάγκης.
- Μην εκκινείτε ποτέ τον κινητήρα μέσα σε κλειστό χώρο ή κοντά σε εύφλεκτα υλικά. Τα καυσαέρια του κινητήρα είναι ζεστά και ενδεδειγμένα να έχουν σπινθηρές που μπορεί να προκαλέσουν πυρκαγιά.
- Μην λειτουργείτε το προϊόν αν δεν είναι σωστά συνδεδεμένη η λεπίδα και όλα τα καλύμματα. Αν η λεπίδα δεν είναι σωστά συνδεδεμένη, μπορεί

να χαλαρώσει και να προκληθεί προσωπικός τραυματισμός.

- Να βεβαιώνετε ότι ο δίσκος δεν χτυπάει αντικείμενα, όπως πέτρες και ρίζες. Αυτό μπορεί να κάνει ζημιά στη λεπίδα και να λυγίσει τον άξονα του κινητήρα. Ο λυγισμένος άξονας προκαλεί ισχυρή δόνηση και πολύ υψηλό κίνδυνο χαλάρωσης της λεπίδας.
- Σε περίπτωση πρόσκρουσης της λεπίδας σε αντικείμενο ή αν διαπιστώσετε κραδασμούς, διακόψτε αμέσως τη λειτουργία του προϊόντος. Αφαιρέστε το καλώδιο ανάφλεξης από το μπουζί. Ελέγξτε το προϊόν για ζημιές. Επισκευάστε τις ζημιές ή αναθέστε την επισκευή σε έναν εξουσιοδοτημένο αντιπρόσωπο σέρβις.
- Μην συνδέετε ποτέ μόνιμα τη λαβή φρένου κινητήρα στη χειρολαβή κατά την εκκίνηση του κινητήρα.
- Τοποθετήστε το προϊόν σε μια σταθερή, επίπεδη επιφάνεια και εκκινήστε το. Να βεβαιώνετε ότι η λεπίδα δεν χτυπάει στο έδαφος ή σε άλλα αντικείμενα.
- Να παραμένετε πάντα πίσω από το προϊόν κατά τη λειτουργία.
- Κατά τη λειτουργία του προϊόντος, θα πρέπει όλοι οι τροχοί να ακουμπούν στο έδαφος και να διατηρείτε και τα 2 χέρια πάνω στη λαβή. Διατηρήστε τα χέρια και τα πόδια σας μακριά από τις περιστρεφόμενες λεπίδες.
- Μην γέρνετε το προϊόν όταν εκκινείται ο κινητήρας.
- Να είστε προσεκτικοί όταν τραβάτε το προϊόν προς τα πίσω.
- Να μην ανασκώνετε ποτέ το προϊόν όταν εκκινείται ο κινητήρας. Αν πρέπει να ανασκώσετε το προϊόν, σβήστε πρώτα τον κινητήρα και αποσυνδέστε το καλώδιο ανάφλεξης από το μπουζί.
- Να μην περπατάτε προς τα πίσω όταν χρησιμοποιείτε το προϊόν.
- Να σβήνετε τον κινητήρα όταν μετακινείστε σε περιοχές χωρίς χόρτα, για παράδειγμα μονοπάτια από χαλίκι, πέτρα και άσφαλο.
- Μην τρέχετε με το προϊόν όταν εκκινείται ο κινητήρας. Να περπατάτε πάντα προς τα εμπρός όταν χρησιμοποιείτε το προϊόν.
- Να σβήνετε τον κινητήρα προτού αλλάξετε το ύψος κοπής. Μην προβείτε ποτέ σε τροποποιήσεις με τον κινητήρα σε λειτουργία.
- Μην αφήνετε ποτέ το προϊόν εκτός ορατότητας με τον κινητήρα σε λειτουργία. Να σβήνετε τον κινητήρα και να βεβαιώνετε ότι το παρελκόμενο κοπής δεν περιστρέφεται.

- Ο προσωπικός εξοπλισμός προστασίας δεν μπορεί να εξαλείψει τον κίνδυνο τραυματισμών, ωστόσο μειώνει τη σοβαρότητά τους σε περίπτωση ατυχήματος. Ο αντιπρόσωπος θα σας βοηθήσει να επιλέξετε το σωστό εξοπλισμό.
- Να χρησιμοποιείτε προστατευτικά ακοής, εάν το επίπεδο θορύβου είναι υψηλότερο από 85 dB.
- Να χρησιμοποιείτε αντιολισθητικές μύτες ή παπούτσια βαρέος τύπου. Να μην χρησιμοποιείτε το προϊόν με ανοιχτά παπούτσια ή ζυμλούτι.
- Χρησιμοποιήστε χοντρά, μακριά παντελόνια.
- Όταν χρειάζεται, να χρησιμοποιείτε προστατευτικά γάντια, για παράδειγμα κατά την τοποθέτηση, την επιθεώρηση ή τον καθαρισμό του εξοπλισμού κοπής.

Συσκευές ασφαλείας στο προϊόν



ΠΡΟΕΙΔΟΠΟΙΗΣΗ: Προτού χρησιμοποιήσετε το προϊόν, διαβάστε τις παρακάτω προειδοποιητικές οδηγίες.

- Μην χρησιμοποιείτε το προϊόν με συσκευές ασφαλείας που έχουν υποστεί ζημιά ή δεν λειτουργούν σωστά.
- Πρέπει να κάνετε τακτικά έλεγχο των συσκευών ασφαλείας. Εάν οι συσκευές ασφαλείας έχουν υποστεί ζημιά ή δεν λειτουργούν σωστά, απευθυνθείτε στον αντιπρόσωπο σέρβις της Husqvarna.
- Μην κάνετε τροποποιήσεις στις συσκευές ασφαλείας.

Για τον έλεγχο του καλύμματος κοπής

Το κάλυμμα κοπής μειώνει τους κραδασμούς στο προϊόν και μειώνεται ο κίνδυνος τραυματισμού από τη λεπίδα.

- Εξετάστε το κάλυμμα κοπής για να βεβαιωθείτε ότι δεν υπάρχουν φθορές όπως ρωγμές.

Έλεγχος της λαβής του φρένου κινητήρα (LC 551SP, LC 551VQ)

Η λαβή του φρένου κινητήρα σταματάει τον κινητήρα. Όταν απελευθερωθεί η λαβή του φρένου κινητήρα, ο κινητήρας σταματάει.

- Εκκινήστε τον κινητήρα και αφήστε τη λαβή του φρένου του κινητήρα. Αν ο κινητήρας δεν σταματά σε 3 δευτερόλεπτα, αναθέστε τη ρύθμιση του φρένου κινητήρα σε έναν εγκεκριμένο αντιπρόσωπο σέρβις Husqvarna. (Εικ. 28)

Έλεγχος του συστήματος ελέγχου του φρένου λεπίδας και του αναστολέα εκκίνησης (LC 551VBP)

Το σύστημα ελέγχου του φρένου λεπίδας σταματά μόνο τη λεπίδα και όχι τον κινητήρα. Εάν απελευθερώσετε το σύστημα ελέγχου του φρένου λεπίδας, η λεπίδα σταματά.

1. Εκκινήστε τον κινητήρα.

Οδηγίες ασφαλείας για τη λειτουργία

Προσωπικός εξοπλισμός προστασίας



ΠΡΟΕΙΔΟΠΟΙΗΣΗ: Προτού χρησιμοποιήσετε το προϊόν, διαβάστε τις παρακάτω προειδοποιητικές οδηγίες.

2. Σπρώξτε το σύστημα ελέγχου του φρένου λεπίδας προς την κατεύθυνση της χειρολαβής. Ο αναστολέας εκκίνησης σταματά να κινείται.
3. Σπρώξτε τον αναστολέα εκκίνησης προς τα έξω.
4. Σπρώξτε το σύστημα ελέγχου του φρένου λεπίδας προς την κατεύθυνση της χειρολαβής. Η λεπίδα αρχίζει να περιστρέφεται.
5. Απελευθερώστε το σύστημα ελέγχου του φρένου λεπίδας. Αν η λεπίδα δεν σταματήσει σε 3 δευτερόλεπτα, αναθέστε τη ρύθμιση του φρένου λεπίδας σε έναν εγκεκριμένο αντιπρόσωπο σέρβις της Husqvarna. (Εικ. 29)
6. Βεβαιωθείτε ότι ο αναστολέας εκκίνησης επιστρέφει στην αρχική του θέση.

Εξάτμιση (σιγαστήρας)

Η εξάτμιση (σιγαστήρας) διατηρεί τα επίπεδα θορύβου στο ελάχιστο και κατευθύνει τις αναθυμιάσεις της εξάτμισης μακριά από το χειριστή.

Μην χρησιμοποιείτε το προϊόν, αν η εξάτμιση (σιγαστήρας) λείπει ή είναι ελαττωματική. Αν η εξάτμιση (σιγαστήρας) είναι ελαττωματική, αυξάνεται το επίπεδο θορύβου και ο κίνδυνος φωτιάς.



ΠΡΟΕΙΔΟΠΟΙΗΣΗ: Η εξάτμιση (σιγαστήρας) θερμαίνεται πολύ κατά τη διάρκεια της χρήσης και παραμένει θερμή μετά τη χρήση, καθώς και όταν ο κινητήρας λειτουργεί στο ρελαντί. Προσέχετε όταν κινείστε κοντά σε εύφλεκτα υλικά ή/και αναθυμιάσεις, για να αποφύγετε την εκδήλωση πυρκαγιάς.

Έλεγχος της εξάτμισης (σιγαστήρας)

- Πρέπει να εξετάζετε την εξάτμιση (το σιγαστήρα) τακτικά, για να βεβαιωθείτε ότι είναι σωστά συνδεδεμένη και δεν έχει υποστεί ζημία.

Ασφάλεια καυσίμου



ΠΡΟΕΙΔΟΠΟΙΗΣΗ: Προτού χρησιμοποιήσετε το προϊόν, διαβάστε τις παρακάτω προειδοποιητικές οδηγίες.

- Μην θέτετε το προϊόν σε λειτουργία, εάν υπάρχει καύσιμο ή λάδι κινητήρα στο προϊόν. Αφαιρέστε το ανεπιθύμητο καύσιμο/λάδι και αφήστε το προϊόν να στεγνώσει.
- Εάν χύσετε καύσιμο στα ρούχα σας, αλλάξτε τα αμέσως.
- Μην χύσετε καύσιμο στο σώμα σας, καθώς μπορεί να προκληθεί τραυματισμός. Αν χύσετε καύσιμο στο σώμα σας, χρησιμοποιήστε σαπούνι και νερό για να αφαιρέσετε το καύσιμο.
- Μην θέσετε το προϊόν σε λειτουργία, εάν ο κινητήρας έχει διαρροή. Εξετάζετε τακτικά τον κινητήρα για διαρροές.

- Να είστε προσεκτικοί με το καύσιμο. Το καύσιμο είναι εύφλεκτο και οι αναθυμιάσεις είναι εκρηκτικές και μπορούν να προκαλέσουν τραυματισμό ή θάνατο.
- Μην εισπνεύσετε τις αναθυμιάσεις καυσίμου, καθώς μπορεί να προκληθεί τραυματισμός. Βεβαιωθείτε ότι υπάρχει επαρκής ροή αέρα.
- Μην καπνίζετε κοντά στο καύσιμο ή τον κινητήρα.
- Μην τοποθετείτε ζεστά αντικείμενα κοντά στο καύσιμο ή τον κινητήρα.
- Μην προσθέτετε καύσιμο όταν λειτουργεί ο κινητήρας.
- Βεβαιωθείτε ότι ο κινητήρας έχει κρυώσει πριν από τον ανεφοδιασμό.
- Πριν από τον ανεφοδιασμό, ανοίξτε αργά την τάπα του ντεπόζιτου καυσίμου και εκτονώστε προσεκτικά την πίεση.
- Μην προσθέτετε καύσιμο στον κινητήρα σε εσωτερικό χώρο. Η ανεπαρκής ροή αέρα μπορεί να προκαλέσει τραυματισμό ή θάνατο λόγω ασφυξίας ή μονοξειδίου του άνθρακα.
- Να σφίγγετε πλήρως την τάπα του ντεπόζιτου καυσίμου. Αν η τάπα του ντεπόζιτου καυσίμου δεν είναι σφιγμένη, υπάρχει κίνδυνος πυρκαγιάς.
- Πριν από την εκκίνηση, μετακινήστε το προϊόν σε απόσταση τουλάχιστον 3 m /10 ft από το σημείο όπου γεμίσατε το ντεπόζιτο.
- Μην γεμίζετε ποτέ εντελώς το ντεπόζιτο καυσίμου. Η υψηλή θερμοκρασία προκαλεί διαστολή του καυσίμου. Αφήνετε κενό στο επάνω μέρος του ντεπόζιτου.

Οδηγίες ασφαλείας για τη συντήρηση



ΠΡΟΕΙΔΟΠΟΙΗΣΗ: Προτού χρησιμοποιήσετε το προϊόν, διαβάστε τις παρακάτω προειδοποιητικές οδηγίες.

- Οι αναθυμιάσεις της εξάτμισης από τον κινητήρα περιέχουν μονοξείδιο του άνθρακα, ένα άοσμο, δηλητηριώδες και ιδιαίτερα επικίνδυνο αέριο. Να μην εκκινείτε τον κινητήρα σε εσωτερικούς ή κλειστούς χώρους.
- Πριν πραγματοποιήσετε συντήρηση στο προϊόν, σβήστε τον κινητήρα και αποσυνδέστε το καλώδιο ανάφλεξης από το μπουζί.
- Να χρησιμοποιείτε προστατευτικά γάντια όταν κάνετε συντήρηση του εξοπλισμού κοπής. Η λεπίδα είναι πολύ κοφτερή και μπορεί εύκολα να κοπείτε.
- Τα αξεσουάρ και οι τροποποιήσεις στο προϊόν που δεν είναι εγκεκριμένες από τον κατασκευαστή, μπορεί να προκαλέσουν σοβαρό τραυματισμό ή θάνατο. Να μην πραγματοποιείτε αλλαγές στο προϊόν. Να χρησιμοποιείτε μόνο εξαρτήματα που έχουν εγκριθεί από τον κατασκευαστή.
- Αν η συντήρηση δεν γίνεται σωστά και τακτικά, αυξάνεται ο κίνδυνος τραυματισμού και ζημιάς στο προϊόν.
- Να πραγματοποιείτε μόνο τις εργασίες συντήρησης όπως δίνονται σε αυτό το εγχειρίδιο κατόχου. Όλες οι

άλλες εργασίες συντήρησης πρέπει να γίνονται από εγκεκριμένο αντιπρόσωπο σέρβις Husqvarna.

- Να αναθετέτε τη συντήρηση του προϊόντος σε έναν εγκεκριμένο αντιπρόσωπο σέρβις Husqvarna σε τακτά χρονικά διαστήματα.

- Να αντικαθιστάτε τυχόν κατεστραμμένα, φθαρμένα ή σπασμένα εξαρτήματα.

Συναρμολόγηση

Εισαγωγή



ΠΡΟΕΙΔΟΠΟΙΗΣΗ: Προτού συναρμολογήσετε το προϊόν, πρέπει να διαβάσετε και να κατανοήσετε το κεφάλαιο για την ασφάλεια.



ΠΡΟΕΙΔΟΠΟΙΗΣΗ: Αφαιρέστε το καλώδιο του μπουζί από το μπουζί πριν τη συναρμολόγηση του προϊόντος.

Συναρμολόγηση της λαβής

1. Ξεφίξτε τις κάτω χειρόβιδες στην αριστερή και τη δεξιά πλευρά του προϊόντος. Βεβαιωθείτε ότι η πλαστική ροδέλα βρίσκεται στην εσοχή του στηρίγματος της λαβής. (Εικ. 30)
2. Αναδιπλώστε τη λαβή προς τα εμπρός και τοποθετήστε την όπως φαίνεται στην εικόνα. (Εικ. 31)
 - a) Βεβαιωθείτε ότι η πλαστική ροδέλα βρίσκεται μεταξύ της λαβής και του στηρίγματος της λαβής.
 - b) Τοποθετήστε τη λαβή στο στήριγμα λαβής.
3. Ανασηκώστε τη λαβή. (Εικ. 32)
4. Σφίξτε καλά τις χειρόβιδες. Για να ρυθμίσετε το ύψος της λαβής, βλ. *Για να προσαρμόσετε το ύψος της λαβής στη σελίδα 82.*
5. Τοποθετήστε τα καλώδια στα στηρίγματα καλωδίων. Βεβαιωθείτε ότι τα καλώδια δεν έχουν συστραφεί. Τοποθετήστε τα στηρίγματα καλωδίων στη λαβή. (Εικ. 33)
6. Χρησιμοποιήστε ένα δεματικό καλωδίων για να συνδέσετε τα καλώδια στο στήριγμα της λαβής. (Εικ. 34)

Για να προσαρμόσετε το ύψος της λαβής

1. Χαλαρώστε τις κάτω χειρόβιδες.
2. Μετακινήστε τους μοχλούς στο κατώτερο άκρο των αυλακώσεων από την αριστερή και τη δεξιά πλευρά του προϊόντος. (Εικ. 35)
3. Ρυθμίστε το ύψος της λαβής σε 1 από τις 2 διαθέσιμες θέσεις.
4. Μετακινήστε τις χειρόβιδες προς την κατεύθυνση της χειρολαβής μέχρι να σταματήσουν και να ακούσετε ένα κλικ. (Εικ. 36)
5. Σφίξτε καλά τις χειρόβιδες.

Ρύθμιση του προϊόντος στη θέση μεταφοράς

1. Αφαιρέστε τον συλλέκτη χόρτου.
2. Χαλαρώστε τις κάτω χειρόβιδες.
3. Μετακινήστε τους μοχλούς στο κατώτερο άκρο των αυλακώσεων από την αριστερή και τη δεξιά πλευρά του προϊόντος. (Εικ. 35)
4. Διπλώστε τη χειρολαβή προς τα εμπρός. (Εικ. 37)

Για να ρυθμίσετε το προϊόν στη θέση λειτουργίας

1. Ανασηκώστε τη χειρολαβή. (Εικ. 32)
2. Μετακινήστε τις χειρόβιδες προς την κατεύθυνση της χειρολαβής μέχρι να σταματήσουν και να ακούσετε ένα κλικ. (Εικ. 36)
3. Σφίξτε πλήρως τις χειρόβιδες.

Συναρμολόγηση του συλλέκτη χόρτου

1. Τοποθετήστε το πλαίσιο συλλέκτη χόρτου στον σάκο χόρτου με το άκαμπτο τμήμα του σάκου να ακουμπά στο έδαφος. Κρατήστε τη λαβή του πλαισίου στο επάνω μέρος του σάκου χόρτου. (Εικ. 38)
2. Τοποθετήστε το κάτω μέρος του πλαισίου του συλλέκτη χόρτου στο κάτω μέρος του σάκου χόρτου. (Εικ. 39)
 - a) Σπρώξτε το πλαίσιο του συλλέκτη χόρτου μέσα στην εσοχή. Ξεκινήστε από τη δεξιά πλευρά, όπως φαίνεται στην εικόνα, και προχωρήστε σταδιακά προς τα αριστερά.
3. Εάν δεν είναι εύκολο να συνδέσετε το πλαίσιο του συλλέκτη χόρτου, χτυπήστε προσεκτικά το πλαίσιο με ένα λαστιχένιο ξυλόσφυρο. Χτυπήστε το πλαίσιο του συλλέκτη χόρτου ανάμεσα στα ενισχυμένα σημεία. (Εικ. 40)
4. Στερεώστε τον σάκο χόρτου στο πλαίσιο του συλλέκτη χόρτου με τα κλιπ. (Εικ. 41)
5. Ανασηκώστε το πίσω κάλυμμα.
6. Συνδέστε το συλλέκτη χόρτου στο επάνω άκρο του σασί.
7. Τοποθετήστε το κάτω τμήμα του συλλέκτη χόρτου στο κανάλι εκτόξευσης γρασιδιού. (Εικ. 42)

Συναρμολόγηση του πώματος χορτολιπάσματος (αξεσουάρ)

1. Ανασηκώστε το πίσω κάλυμμα και αφαιρέστε το συλλέκτη χόρτου.
2. Τοποθετήστε το πώμα χορτολιπάσματος μέσα στο κανάλι εκτόξευσης. (Εικ. 43)
3. Αντικαταστήστε τη λεπίδα με τη λεπίδα χορτολιπάσματος που περιλαμβάνεται στο κιτ χορτολίπανσης. Ανατρέξτε στην ενότητα *Αντικατάσταση της λεπίδας στη σελίδα 86.*

Κοπή χόρτου χωρίς τοποθέτηση συλλέκτη χόρτου ή πώματος χορτολιπάσματος

- Ανασηκώστε το πίσω κάλυμμα και αφαιρέστε τον συλλέκτη χόρτου.

- Αν έχουν τοποθετηθεί πώμα χορτολιπάσματος και λεπίδα χορτολίπανσης, αφαιρέστε τα.
- Κλείστε το πίσω κάλυμμα προτού χρησιμοποιήσετε το προϊόν.

Όταν χρησιμοποιείτε το προϊόν, το κομμένο χόρτο εκτοξεύεται κάτω από το πίσω κάλυμμα.

Λειτουργία

Εισαγωγή



ΠΡΟΕΙΔΟΠΟΙΗΣΗ: Προτού χρησιμοποιήσετε το προϊόν, πρέπει να διαβάσετε και να κατανοήσετε το κεφάλαιο για την ασφάλεια.

Husqvarna Connect

Η Husqvarna Connect είναι μια δωρεάν εφαρμογή για τη φορητή συσκευή σας. Η εφαρμογή Husqvarna Connect παρέχει εκτεταμένες λειτουργίες για το προϊόν σας Husqvarna:

- Περισσότερες πληροφορίες για το προϊόν.
- Πληροφορίες και βοήθεια για τα ανταλλακτικά και το σέρβις του προϊόντος.

Για να αρχίσετε να χρησιμοποιείτε το προϊόν Husqvarna Connect

1. Κατεβάστε την εφαρμογή Husqvarna Connect στη φορητή συσκευή σας.
2. Εγγραφείτε στην εφαρμογή Husqvarna Connect.
3. Ακολουθήστε τα βήματα με τις οδηγίες που θα βρείτε στην εφαρμογή Husqvarna Connect για να συνδέσετε και να δηλώσετε το προϊόν.

Πριν χρησιμοποιήσετε το προϊόν

1. Διαβάστε το εγχειρίδιο χρήσης προσεκτικά και βεβαιωθείτε ότι έχετε κατανοήσει τις οδηγίες.
2. Εξετάστε τον εξοπλισμό κοπής για να βεβαιωθείτε ότι είναι σωστά συνδεδεμένος και ρυθμισμένος. Ανατρέξτε στην ενότητα *Για να ελέγξετε τον εξοπλισμό κοπής στη σελίδα 86.*
3. Γεμίστε το ντεπόζιτο καυσίμου. Ανατρέξτε στην ενότητα *Ανεφοδιασμός με καύσιμο στη σελίδα 83.*

4. Γεμίστε το ντεπόζιτο λαδιού και κάντε έναν έλεγχο της στάθμης λαδιού. Ανατρέξτε στην ενότητα *Έλεγχος της στάθμης λαδιού στη σελίδα 86.*

Ανεφοδιασμός με καύσιμο

Αν υπάρχει διαθέσιμη, χρησιμοποιήστε βενζίνη χαμηλής εκπομπής καυσαερίων/χαμηλής αλκυλίωσης. Σε περίπτωση που δεν είναι διαθέσιμη βενζίνη χαμηλών εκπομπών/αλκυλίωσης, χρησιμοποιήστε καλής ποιότητας αμολυβδη βενζίνη ή βενζίνη με μόλυβδο με αριθμό οκτανίων όχι μικρότερο από 90.



ΠΡΟΣΟΧΗ: Μην χρησιμοποιείτε βενζίνη με αριθμό οκτανίων κάτω από 90 RON (87 AKI). Μπορεί να προκληθεί ζημιά στο προϊόν.

1. Ανοίξτε αργά την τάπα του ντεπόζιτου καυσίμου για να εκτονώσετε την πίεση.
2. Γεμίστε αργά με ένα δοχείο καυσίμων. Αν χύσετε καύσιμο, καθαρίστε το με ένα πανί και αφήστε το καύσιμο που απομένει να στεγνώσει. (Εικ. 44)
3. Καθαρίστε την περιοχή γύρω από την τάπα του ντεπόζιτου καυσίμου.
4. Να σφίγγετε πλήρως την τάπα του ντεπόζιτου καυσίμου. Αν η τάπα του ντεπόζιτου καυσίμου δεν είναι σφιγμένη, υπάρχει κίνδυνος πυρκαγιάς.
5. Πριν από την εκκίνηση, μετακινήστε το προϊόν σε απόσταση τουλάχιστον 3 m (10 ft) από το σημείο όπου γεμίσατε το ντεπόζιτο.

Ρύθμιση του ύψους κοπής

Το ύψος κοπής μπορεί να ρυθμιστεί σε 6 διαφορετικές θέσεις.

1. Σπρώξτε το χειριστήριο ύψους κοπής προς την κατεύθυνση του τροχού και στη συνέχεια προς τα πίσω για να αυξήσετε το ύψος κοπής.
2. Σπρώξτε το χειριστήριο ύψους κοπής προς την κατεύθυνση του τροχού και στη συνέχεια προς τα εμπρός για να μειώσετε το ύψος κοπής. (Εικ. 45)



ΠΡΟΣΟΧΗ: Μην ρυθμίζετε το ύψος κοπής πολύ χαμηλά. Οι λεπίδες μπορεί να χτυπήσουν στο έδαφος αν η επιφάνεια του χλοοτάπητα δεν είναι επίπεδη.

Εκκίνηση του προϊόντος (LC 551VQ)

1. Βεβαιωθείτε ότι το καλώδιο ανάφλεξης είναι συνδεδεμένο στο μπουζί.
2. Παραμείνετε πίσω από το προϊόν.
3. Κρατήστε τη λαβή του φρένου κινητήρα προς τη χειρολαβή. (Εικ. 46)
4. Πιάστε τη λαβή του κορδονιού εκκίνησης με το δεξί σας χέρι.
5. Τραβήξτε αργά έξω το κορδόνι της μίζας μέχρι να αισθανθείτε κάποια αντίσταση.
6. Τραβήξτε δυνατά για να εκκινήσει ο κινητήρας.

Έναρξη λειτουργίας του προϊόντος (LC 551SP, LC 551VBP)

1. Βεβαιωθείτε ότι το καλώδιο ανάφλεξης είναι συνδεδεμένο στο μπουζί.
2. Να παραμένετε πίσω από το προϊόν.
3. Ρυθμίστε το χειριστήριο γκαζιού.
 - a) Εάν ο κινητήρας είναι κρύος, ρυθμίστε το χειριστήριο του γκαζιού στη θέση του τσοκ. (Εικ. 47)
 - b) Εάν ο κινητήρας είναι ζεστός, μην ρυθμίσετε το χειριστήριο του γκαζιού στη θέση του τσοκ.
4. Στο μοντέλο LC 551SP, κρατήστε τη λαβή του φρένου κινητήρα πάνω στη χειρολαβή. (Εικ. 46)
5. Πιάστε τη λαβή του κορδονιού εκκίνησης με το δεξί σας χέρι.
6. Τραβήξτε αργά έξω το κορδόνι της μίζας μέχρι να αισθανθείτε κάποια αντίσταση.
7. Τραβήξτε δυνατά για να εκκινήσει ο κινητήρας.
8. Τοποθετήστε το χειριστήριο γκαζιού στη θέση τέρμα το γκάζι.
9. Στο μοντέλο LC 551VBP:
 - a) Απελευθερώστε τον αναστολέα εκκίνησης.
 - b) Για να θέσετε σε λειτουργία τις λεπίδες, σπρώξτε το σύστημα ελέγχου του φρένου λεπίδας προς την κατεύθυνση της χειρολαβής.

Χρήση της κίνησης στους τροχούς

- Τραβήξτε την ασφάλεια κίνησης προς την κατεύθυνση της χειρολαβής. (Εικ. 48)
- Για το μοντέλο LC 551VQ και το μοντέλο LC 551VBP: Ρυθμίστε την ταχύτητα κίνησης με το χειριστήριο ταχύτητας στην αριστερή πλευρά της λαβής. Μετακινήστε το χειριστήριο ταχύτητας προς τα εμπρός για να αυξήσετε την ταχύτητα και προς τα πίσω για να μειώσετε την ταχύτητα. (Εικ. 49)
- Προτού τραβήξετε το προϊόν προς τα πίσω, αποσυμπλέξτε τον μηχανισμό μετάδοσης κίνησης και σπρώξτε το προϊόν προς τα εμπρός κατά περίπου 10 cm.
- Απελευθερώστε την ασφάλεια κίνησης για να αποδεσμεύσετε την κίνηση, για παράδειγμα όταν βρίσκατε κοντά σε κάποιο εμπόδιο.

Απενεργοποίηση προϊόντος (LC 551SP, LC 551VQ)

- Για να διακόψετε μόνο την κίνηση, απελευθερώστε την ασφάλεια οδήγησης.
- Για να διακόψετε τη λειτουργία του κινητήρα, απελευθερώστε τη λαβή του φρένου κινητήρα.

Διακοπή λειτουργίας του προϊόντος (LC 551VBP)

- Για να διακόψετε μόνο την κίνηση, απελευθερώστε την ασφάλεια οδήγησης.
- Για να σταματήσετε τον κινητήρα, μετακινήστε το χειριστήριο γκαζιού στη θέση STOP.

Για ένα καλό αποτέλεσμα

- Να χρησιμοποιείτε πάντα μια ακονισμένη λεπίδα. Η στομωμένη λεπίδα δίνει ένα ακανόνιστο αποτέλεσμα και η επιφάνεια κοπής του γρασιδιού γίνεται κίτρινη. Επίσης, η ακονισμένη λεπίδα χρησιμοποιεί λιγότερη ενέργεια από μια στομωμένη λεπίδα.
- Να μην κόβετε ποτέ πάνω από το 1/3 του μήκους του γρασιδιού. Να κόβετε πρώτα με το ύψος κοπής ρυθμισμένο σε υψηλό. Εξετάστε το αποτέλεσμα και χαμηλώστε το ύψος κοπής σε κατάλληλο επίπεδο. Αν το γρασίδι είναι πολύ μακρύ, οδηγήστε αργά και κόψτε 2 φορές, αν είναι απαραίτητο.
- Να κόβετε κάθε φορά σε διαφορετικές κατευθύνσεις για να αποφεύγετε τις ρίγες στο γκαζόν.
- Διατηρείτε το κάλυμμα κοπής καθαρό. Η συσσώρευση γρασιδιού και ακαθαρσιών στην εσωτερική πλευρά του καλύμματος κοπής μπορεί να μειώσει το αποτέλεσμα κοπής. Ανατρέξτε στην ενότητα *Για να καθαρίσετε την εσωτερική επιφάνεια του καλύμματος κοπής στη σελίδα 85.*

Συντήρηση

Εισαγωγή



ΠΡΟΕΙΔΟΠΟΙΗΣΗ: Προτού εκτελέσετε εργασίες συντήρησης, πρέπει να διαβάσετε και να κατανοήσετε το κεφάλαιο για την ασφάλεια.

Για όλες τις εργασίες συντήρησης και επισκευής στο προϊόν, είναι απαραίτητη ειδική εκπαίδευση. Μπορούμε να εγγυηθούμε για τη διαθεσιμότητα των επαγγελματικών επισκευών και τη συντήρηση. Αν ο αντιπρόσωπός σας δεν είναι αντιπρόσωπος σέρβις, μιλήστε του για πληροφορίες σχετικά με τον πλησιέστερο αντιπρόσωπο σέρβις.

Για λεπτομερέστερες πληροφορίες, ανατρέξτε στη σελίδα www.husqvarna.com.

Πρόγραμμα συντήρησης



ΠΡΟΣΟΧΗ: Βεβαιωθείτε ότι το φίλτρο αέρα είναι στραμμένο προς τα πάνω και όχι προς το έδαφος όταν γέρνετε το προϊόν. Κίνδυνος ζημιάς στον κινητήρα.

Τα διαστήματα συντήρησης υπολογίζονται με βάση την καθημερινή χρήση του προϊόντος. Τα διαστήματα αλλάζουν αν το προϊόν δεν χρησιμοποιείται καθημερινά.

Για τις εργασίες συντήρησης που προσδιορίζονται με αστερίσκο (*), ανατρέξτε στις οδηγίες στην ενότητα *Συσκευές ασφαλείας στο προϊόν στη σελίδα 80*.

Συντήρηση	Καθημερινά	Κάθε εβδομάδα	Κάθε μήνα
Εκτέλεση γενικής επιθεώρησης	X		
Έλεγχος της στάθμης λαδιού	X		
Καθαρισμός του προϊόντος	X		
Έλεγχος του εξοπλισμού κοπής	X		
Έλεγχος του καλύμματος κοπής *	X		
Έλεγχος της λαβής του φρένου του κινητήρα * LC 551SP, LC 551VQ	X		
Έλεγχος του χειριστηρίου φρένου της λεπίδας * LC 551VBP	X		
Έλεγχος της εξάτμισης (σιγαστήρα) *		X	
Έλεγχος του μπουζί		X	
Αλλαγή λαδιού (την πρώτη φορά μετά από 5 ώρες χρήσης, έπειτα μετά από κάθε 50 ώρες χρήσης ετησίως)			X
Καθαρίστε ή αντικαταστήστε το φίλτρο αέρα			X
Έλεγχος του συστήματος καυσίμου			X

Εκτέλεση γενικής επιθεώρησης

- Βεβαιωθείτε ότι όλα τα παξιμάδια και οι βίδες πάνω στο προϊόν είναι σφιγμένα σωστά.

Καθαρισμός του προϊόντος

- Να καθαρίζετε τα πλαστικά μέρη με ένα καθαρό και στεγνό πανί.
- Μην χρησιμοποιείτε νερό για να καθαρίσετε το προϊόν. Το νερό μπορεί να εισχωρήσει στην μπαταρία ή στον κινητήρα και να προκαλέσει βραχυκύκλωμα ή ζημιά στο προϊόν.

- Μην χρησιμοποιείτε σύστημα πλύσης με υψηλή πίεση για να καθαρίσετε το προϊόν.
- Μην ρίχνετε νερό απευθείας επάνω στον κινητήρα.
- Χρησιμοποιήστε μια βούρτσα για να αφαιρέσετε φύλλα, γρασίδι και ακαθαρσίες.
- Αφαιρέστε το κάλυμμα του συμπλέκτη, χρησιμοποιώντας μια βούρτσα για να αφαιρέσετε το χορτάρι κάτω από το κάλυμμα του συμπλέκτη. (LC 551VBP)

Για να καθαρίσετε την εσωτερική επιφάνεια του καλύμματος κοπής

- Αδειάστε το ντεπόζιτο καυσίμου.

2. Τοποθετήστε το προϊόν στο πλάι με την εξάτμιση (σιγαστήρα) προς τα κάτω.



ΠΡΟΣΟΧΗ: Αν το προϊόν τοποθετηθεί με το φίλτρο αέρα προς τα κάτω, ο κινητήρας μπορεί να υποστεί ζημιά.

3. Ξεπλύνετε την εσωτερική επιφάνεια του καλύμματος κοπής ρίχνοντας νερό προς τα κάτω με ένα λάστιχο.

Για να ελέγξετε τον εξοπλισμό κοπής



ΠΡΟΕΙΔΟΠΟΙΗΣΗ: Για να αποτρέψετε ακούσια εκκίνηση, αφαιρέστε το καλώδιο ανάφλεξης από το μπουζί.



ΠΡΟΕΙΔΟΠΟΙΗΣΗ: Να χρησιμοποιείτε προστατευτικά γάντια όταν κάνετε συντήρηση του εξοπλισμού κοπής. Η λεπίδα είναι πολύ κοφτερή και μπορεί εύκολα να κοπείτε.

1. Ελέγξτε τον εξοπλισμό κοπής για ζημιές ή ρωγμές. Πρέπει πάντα να αντικαθιστάτε τον εξοπλισμό κοπής, αν έχει υποστεί ζημιά.
2. Κοιτάξτε τη λεπίδα για να δείτε εάν είναι φθαρμένη ή στομαμμένη.

Περιεχόμενα Είναι απαραίτητο να ζυγοσταθμιστεί η λεπίδα μετά το ακόνισμα. Να αναθέτετε το ακόνισμα, την αντικατάσταση και τη ζυγοστάθμιση της λεπίδας σε ένα κέντρο σέρβις. Αν χτυπήσετε κάποιο εμπόδιο και σταματήσει το προϊόν, αντικαταστήστε τη φθαρμένη λεπίδα. Το κέντρο σέρβις θα αξιολογήσει αν η λεπίδα μπορεί να ακονιστεί ή πρέπει να αντικατασταθεί.

Αντικατάσταση της λεπίδας

1. Ασφαλίστε τη λεπίδα με έναν ξύλινο τάκο. (Εικ. 50)
2. Αφαιρέστε τη βίδα της λεπίδας.
3. Αφαιρέστε τη λεπίδα.
4. Ελέγξτε το στήριγμα της λεπίδας και τη βίδα της λεπίδας για τυχόν ζημιές.
5. Εξετάστε τον άξονα του κινητήρα για να βεβαιωθείτε ότι δεν είναι λυγισμένος.
6. Όταν συνδέετε μια καινούργια λεπίδα, στρέψτε τα γωνιακά άκρα της λεπίδας προς την κατεύθυνση του καλύμματος κοπής. (Εικ. 51)
7. Βεβαιωθείτε ότι η λεπίδα είναι ευθυγραμμισμένη με το κέντρο του άξονα του κινητήρα.
8. Ασφαλίστε τη λεπίδα με έναν ξύλινο τάκο. (Εικ. 52)
9. Τοποθετήστε τη λεπίδα.
 - a) Στο μοντέλο LC 551SP, LC 551VQ, τοποθετήστε την ροδέλα του ελατηρίου και σφίξτε τη βίδα και τη ροδέλα με ροπή 70 Nm.

- b) Στο μοντέλο LC 551VBP, σφίξτε τις βίδες με ροπή 50 Nm. (Εικ. 53)

10. Περιστρέψτε τη λάμα με το χέρι και βεβαιωθείτε ότι μπορεί να περιστραφεί χωρίς προβλήματα.



ΠΡΟΕΙΔΟΠΟΙΗΣΗ:

Χρησιμοποιείτε γάντια βαρέος τύπου. Η λεπίδα είναι πολύ κοφτερή και μπορεί να προκληθεί τραυματισμός.

11. Εκκινήστε το προϊόν για να δοκιμάσετε τη λεπίδα. Αν η λεπίδα δεν είναι σωστά συνδεδεμένη, θα υπάρχουν κραδασμοί στο προϊόν ή το αποτέλεσμα κοπής δεν θα είναι ικανοποιητικό.

Έλεγχος της στάθμης λαδιού



ΠΡΟΣΟΧΗ: Το πολύ χαμηλό επίπεδο λαδιού μπορεί να προκαλέσει βλάβη στον κινητήρα. Να κάνετε έλεγχο της στάθμης λαδιού πριν από την εκκίνηση του προϊόντος.

1. Τοποθετήστε το προϊόν σε οριζόντιο έδαφος.
2. Αφαιρέστε το καπάκι του ντεπόζιτου λαδιού με τον συνδεδεμένο δείκτη στάθμης.
3. Καθαρίστε το λάδι από τον δείκτη στάθμης.
4. Τοποθετήστε τον δείκτη στάθμης εντελώς μέσα στο ντεπόζιτο λαδιού. Σφίξτε την τάπα του δοχείου λαδιού για να βεβαιωθείτε ότι έχετε μια σωστή εικόνα της στάθμης λαδιού.
5. Αφαιρέστε τον δείκτη στάθμης.
6. Εξετάστε τη στάθμη λαδιού πάνω στον δείκτη στάθμης.
7. Αν η στάθμη του λαδιού είναι χαμηλή, συμπληρώστε με λάδι κινητήρα και ελέγξτε ξανά τη στάθμη λαδιού.

(Εικ. 54)

Περιεχόμενα Χρησιμοποιήστε ένα χωνί για να αποφυγείτε τη διαρροή.

Αλλαγή του λαδιού κινητήρα



ΠΡΟΕΙΔΟΠΟΙΗΣΗ: Το λάδι του κινητήρα είναι πολύ καυτό αμέσως μετά το σβήσιμο του κινητήρα. Αφήστε τον κινητήρα να κρυώσει προτού αδειάσετε το λάδι του κινητήρα. Αν πέσει λάδι κινητήρα στο δέρμα σας, καθαρίστε το με σαπούνι και νερό.

(Εικ. 55)

1. Αφαιρέστε το καλώδιο της μίζας από το μπουζί.
2. Αφαιρέστε την τάπα του ντεπόζιτου λαδιού.
3. Αποστραγγίστε το λάδι κινητήρα.

- a) Για μοντέλα με τάπα αποστράγγισης λαδιού: Τοποθετήστε ένα δοχείο κάτω από την τάπα αποστράγγισης λαδιού για να συλλέξετε το λάδι του κινητήρα.
 - b) Για μοντέλα χωρίς τάπα αποστράγγισης λαδιού ή εάν δεν είναι δυνατή η τοποθέτηση δοχείου κάτω από την τάπα αποστράγγισης λαδιού: Χρησιμοποιήστε μια αντλία αποστράγγισης λαδιού (αξεσουάρ) για να αποστραγγίσετε το λάδι του κινητήρα από το νεποζίτο υδραυλικού λαδιού.
4. Γεμίστε με καινούργιο λάδι κινητήρα που έχει τον τύπο που προτείνεται στην ενότητα *Τεχνικά στοιχεία στη σελίδα 88*.
 5. Ελέγξτε τη στάθμη λαδιού. Ανατρέξτε στην ενότητα *Έλεγχος της στάθμης λαδιού στη σελίδα 86*.

Πλήρωση και αλλαγή λαδιού του κινητήρα

- Για πληροφορίες σχετικά με την πλήρωση και την αλλαγή του λαδιού του κινητήρα, ανατρέξτε στο εγχειρίδιο χρήσης του κινητήρα.

Καθαρισμός και αντικατάσταση του φίλτρου αέρα (LC 5551SP, LC 551VBP)

- Για πληροφορίες σχετικά με τον καθαρισμό και την αντικατάσταση του φίλτρου αέρα, ανατρέξτε στο εγχειρίδιο χρήσης του κινητήρα.

Αφαίρεση και τοποθέτηση του φίλτρου αέρα (LC 551VQ)



ΠΡΟΕΙΔΟΠΟΙΗΣΗ: Πρέπει να χρησιμοποιείτε προστατευτικά γάντια.

1. Πιέστε τα κλιπ στο κάλυμμα του φίλτρου αέρα.
2. Αφαιρέστε προσεκτικά το κάλυμμα του φίλτρου αέρα (A) από τον κινητήρα.
3. Αφαιρέστε το φίλτρο αέρα (B) και το αφρώδες φίλτρο (C). (Εικ. 56)
4. Ελέγξτε το φίλτρο αέρα για ζημιές. Αντικαταστήστε το φίλτρο αέρα, εάν έχει υποστεί ζημιά.
5. Καθαρίστε και ελέγξτε το φίλτρο αέρα. Ανατρέξτε στην ενότητα *Καθαρισμός του φίλτρου αέρα (LC 551VQ) στη σελίδα 87*.
6. Για την τοποθέτηση, ακολουθήστε την αντίστροφη σειρά.

Καθαρισμός του φίλτρου αέρα (LC 551VQ)



ΠΡΟΣΟΧΗ: Μην θέτετε σε λειτουργία τον κινητήρα εάν το φίλτρο αέρα δεν έχει

τοποθετηθεί ή εάν το φίλτρο αέρα είναι βρόμικο.



ΠΡΟΣΟΧΗ: Αντικαταστήστε το φίλτρο αέρα εάν δεν μπορεί να καθαριστεί εντελώς ή αν έχει υποστεί ζημιά. Ένα ελαττωματικό φίλτρο αέρα μπορεί να προκαλέσει ζημιά στον κινητήρα.

1. Πιέστε τις γλωττίδες ασφάλισης (A), αφαιρέστε το κάλυμμα του φίλτρου αέρα (B) και βγάλτε το φίλτρο αέρα (C). (Εικ. 57)
2. Χτυπήστε το φίλτρο αέρα σε μια σκληρή επιφάνεια ή διοχετεύστε πεπιεσμένο αέρα μέσα στο φίλτρο αέρα από την καθαρή πλευρά του φίλτρου αέρα.



ΠΡΟΣΟΧΗ: Μην χρησιμοποιήσετε βούρτσα για να απομακρύνετε τη βρωμιά, καθώς με αυτόν τον τρόπο η βρωμιά ωθείται μέσα στο φίλτρο αέρα.

3. Καθαρίστε τη βάση του φίλτρου αέρα (D) και το κάλυμμα του φίλτρου αέρα με ένα υγρό πανί.



ΠΡΟΣΟΧΗ: Βεβαιωθείτε ότι δεν έχει εισχωρήσει βρομιά στον αεραγωγό (E).

4. Εγκαταστήστε το φίλτρο αέρα. Βεβαιωθείτε ότι το φίλτρο αέρα εφαρμόζει ερμητικά πάνω στη βάση του.
5. Τοποθετήστε το κάλυμμα του φίλτρου αέρα φροντίζοντας να ακουμπήσουν πρώτα οι κάτω γλωττίδες.

Για να εξετάσετε το μπουζί



ΠΡΟΣΟΧΗ: Χρησιμοποιείτε πάντα τον συνιστώμενο τύπο μπουζί. Η χρήση λάθος τύπου μπουζί μπορεί να προκαλέσει ζημιά στο προϊόν.

- Αν ο κινητήρας έχει χαμηλή ισχύ, δεν εκκινείται εύκολα ή δεν λειτουργεί σωστά στο ρελαντί, ελέγξτε το μπουζί.
- Για να μειώσετε τον κίνδυνο συσσώρευσης ανεπιθύμητων υλικών στα ηλεκτρόδια του μπουζί, ακολουθήστε τις παρακάτω οδηγίες:
 - a) Βεβαιωθείτε ότι οι στροφές ανά λεπτό ρελαντί έχουν ρυθμιστεί σωστά.
 - b) Βεβαιωθείτε ότι το μίγμα καυσίμου είναι σωστό.
 - c) Βεβαιωθείτε ότι το φίλτρο αέρα είναι καθαρό.
- Αν το μπουζί είναι βρόμικο, καθαρίστε το και βεβαιωθείτε ότι το διάκενο του ηλεκτροδίου είναι σωστό, ανατρέξτε στην ενότητα *Τεχνικά στοιχεία στη σελίδα 88*. (Εικ. 58)
- Αν χρειάζεται, αντικαταστήστε το μπουζί.

Για να ελέγξετε το σύστημα καυσίμου

- Ελέγξτε την τάπα του ντεπόζιτου καυσίμου και την τσιμούχα στεγανότητας της τάπας του ντεπόζιτου καυσίμου για να βεβαιωθείτε ότι δεν υπάρχουν φθορές.
- Ελέγξτε το σωλήνα καυσίμου για να βεβαιωθείτε ότι δεν υπάρχουν διαρροές. Αν ο σωλήνας καυσίμου έχει υποστεί φθορά, αναθέστε την αντικατάστασή του σε έναν αντιπρόσωπο σέρβις.

Ρύθμιση του χειριστήριου ταχύτητας και του χειριστήριου γκαζιού

Το χειριστήριο της ταχύτητας ρυθμίζει την ταχύτητα κίνησης. Το χειριστήριο γκαζιού ρυθμίζει τις στροφές του κινητήρα.



ΠΡΟΣΟΧΗ: Μην ρυθμίζετε το χειριστήριο της ταχύτητας, όταν ο κινητήρας βρίσκεται σε λειτουργία.

1. Για να ρυθμίσετε την ταχύτητα κίνησης, περιστρέψτε τη βίδα ρύθμισης (A) για να ρυθμίσετε το μήκος του περιβλήματος του καλωδίου. Μειώστε το μήκος του περιβλήματος καλωδίου για να αυξήσετε την ταχύτητα κίνησης.
2. Εάν η θέση του τσοκ ή η θέση STOP δεν μπορεί να ενεργοποιηθεί, ρυθμίστε τις στροφές του κινητήρα. Περιστρέψτε τη βίδα ρύθμισης (B). (Εικ. 59)

Μεταφορά, αποθήκευση και απόρριψη

Μεταφορά και αποθήκευση

- Για την αποθήκευση και τη μεταφορά του προϊόντος και του καυσίμου, βεβαιωθείτε ότι δεν υπάρχουν διαρροές ή αναθυμιάσεις. Τυχόν σπινθήρες ή ακάλυπτες φλόγες, για παράδειγμα από ηλεκτρικές συσκευές ή λέβητες, μπορεί να προκαλέσουν πυρκαγιά.
- Να χρησιμοποιείτε πάντα εγκεκριμένα δοχεία για την αποθήκευση και τη μεταφορά των καυσίμων.
- Να αδειάζετε το ντεπόζιτο καυσίμου πριν την αποθήκευση του προϊόντος για μεγάλο χρονικό διάστημα. Να απορρίψετε το καύσιμο σε μια κατάλληλη τοποθεσία απόρριψης
- Να στερεώνετε με ασφάλεια το προϊόν κατά τη μεταφορά για να αποφύγετε βλάβες και ατυχήματα.

- Να διατηρείτε το προϊόν σε μια κλειδωμένη περιοχή για να αποτρέψετε την πρόσβαση σε παιδιά ή μη εγκεκριμένα άτομα.
- Να διατηρείτε το προϊόν σε μια περιοχή στεγνή και χωρίς πάγο.

Απόρριψη

- Πρέπει να συμμορφώνεστε με τις τοπικές απαιτήσεις ανακύκλωσης και τους ισχύοντες κανονισμούς.
- Πετάξτε όλα τα χημικά, όπως το λάδι κινητήρα ή το καύσιμο, σε ένα κέντρο σέρβις ή σε μια κατάλληλη τοποθεσία απόρριψης.
- Όταν το προϊόν δεν είναι πλέον σε χρήση, στείλετε το σε έναν αντιπρόσωπο Husqvarna ή απορρίψτε το σε μια τοποθεσία ανακύκλωσης.

Τεχνικά στοιχεία

	LC 551SP	LC 551VBP	LC 551VQ
Κινητήρας			
Μάρκα	Kawasaki	Kawasaki	Husqvarna
Μοντέλο	FJ180V	FJ180V	HS 166AP
Τύπος κινητήρα	Μονοκύλινδρος, 4-χρονος, ψύξη με εξα-ναγκασμένη κυκλοφορία αέρα, OHV	Μονοκύλινδρος, 4-χρονος, ψύξη με εξα-ναγκασμένη κυκλοφορία αέρα, OHV	Μονοκύλινδρος, 4-χρονος, ψύξη με εξα-ναγκασμένη κυκλοφορία αέρα, OHV
Κυβισμός, cm ³	179	179	166
Ταχύτητα, σ.α.λ.	2800	2800	2800

	LC 551SP	LC 551VBP	LC 551VQ
Ονομαστική απόδοση ισχύος κινητήρα, kW ²⁶	2,9	2,9	2,7
Σύστημα ανάφλεξης			
Μπουζί	NGK BPR5ES	NGK BPR5ES	Husqvarna HQT-7
Διάκενο ηλεκτροδίου, mm	0,6-0,8	0,6-0,8	0,7-0,8
Σύστημα καυσίμου και λίπανσης			
Τύπος λίπανσης κινητήρα	Πίεση με φίλτρο λαδιού	Πίεση με φίλτρο λαδιού	Παφλασμός
Χωρητικότητα ντεπόζιτου καυσίμου, l	1,9	1,9	1,5
Χωρητικότητα ντεπόζιτου λαδιού, l	0,7	0,7	0,5
Λάδι κινητήρα ²⁷	Husqvarna SAE 30	Husqvarna SAE 30	Husqvarna SAE 30
Βάρος			
Με κενά ντεπόζιτα, kg	48,5	52,5	51,0
Εκπομπές θορύβου ²⁸			
Στάθμη ηχητικής ισχύος, μετρούμενη τιμή σε dB (A)	97	96	97
Στάθμη ηχητικής ισχύος, εγγυημένη L _{WA} dB (A)	98	98	98
Στάθμες ήχου ²⁹			
Στάθμη ηχητικής πίεσης στο αυτί του χειριστή, σε dB (A)	87	84	86
Στάθμες κραδασμών ³⁰			
Λαβή, m/s ²	4,5	4,5	3,2
Εξοπλισμός κοπής			
Ύψος κοπής, mm	26-74	26-74	26-74
Πλάτος κοπής, mm	510	510	510
Λεπίδα	Συλλογή	Συλλογή	Συλλογή
Κωδικός είδους	5875908-10	5821494-10	5875908-10
Χωρητικότητα συλλέκτη χόρτου, λίτρα	65	65	65

²⁶ Η ονομαστική ισχύς του εν λόγω κινητήρα είναι η μέση ωφέλιμη ισχύς (σε συγκεκριμένες στροφές κινητήρα) ενός τυπικού κινητήρα παραγωγής για το μοντέλο του κινητήρα μετρημένης βάσει του προτύπου SAE J1349/ISO1585. Οι κινητήρες μαζικής παραγωγής μπορεί να διαφέρουν από την τιμή αυτή. Η πραγματική ωφέλιμη απόδοση ισχύος του κινητήρα που τοποθετείται στο τελικό προϊόν εξαρτάται από την ταχύτητα λειτουργίας, τις συνθήκες του περιβάλλοντος και άλλες τιμές.

²⁷ Εάν το λάδι SAE-30 χρησιμοποιείται σε θερμοκρασία χαμηλότερη από +5 °C, υπάρχει κίνδυνος να μην λιπανθεί επαρκώς ο κινητήρας. Αυτό μπορεί να προκαλέσει ζημιά στον κινητήρα. Ανατρέξτε στην ενότητα *Αλλαγή του λαδιού κινητήρα στη σελίδα 86* για το σωστό λάδι σε χαμηλές θερμοκρασίες.

²⁸ Οι εκπομπές θορύβου στο περιβάλλον μετρούνται ως ηχητική ισχύς (L_{WA}) σε συμμόρφωση με την Οδηγία 2000/14/ΕΚ.

²⁹ Στάθμη πίεσης θορύβου σύμφωνα με το πρότυπο ISO 5395. Τα καταγεγραμμένα στοιχεία για τη στάθμη πίεσης θορύβου έχουν τυπική στατιστική διασπορά (τυπική απόκλιση) 1,2 dB(A).

³⁰ Επίπεδο κραδασμών σύμφωνα με το πρότυπο ISO 5395. Τα καταγεγραμμένα στοιχεία για τη στάθμη κραδασμών έχουν τυπική στατιστική διασπορά (τυπική απόκλιση) ίση με 0,2 m/s².

	LC 551SP	LC 551VBP	LC 551VQ
Σύστημα μετάδοσης κίνησης			
Ταχύτητα, km/h	4,1	2,8-5	2,8-5

Δήλωση Συμμόρφωσης

Δήλωση συμμόρφωσης ΕΕ

Εμείς, η **Husqvarna AB**, SE-561 82 Huskvarna, Σουηδία,
τηλ.: +46-36-146500, δηλώνουμε με αποκλειστική μας
ευθύνη ότι το προϊόν:

Περιγραφή	Ωθούμενο χλοοκοπτικό
Μάρκα	Husqvarna
Τύπος / Μοντέλο	LC 551SP, LC 551VBP, LC 551VQ
Αναγνώριση	Αριθμοί σειράς με ημερομηνία από το 2022 και έπειτα

συμμορφώνεται πλήρως με τις ακόλουθες οδηγίες και
τους κανονισμούς της ΕΕ:

Κανονισμός	Περιγραφή
2006/42/EK	"σχετικά με τα μηχανήματα"
2014/30/EE	"σχετικά με την ηλεκτρομαγνητική συμβατότητα"
2000/14/EK	"σχετικά με τις εκπομπές θορύβου στο περιβάλλον"
2011/65/EE	"σχετικά με τον περιορισμό της χρήσης ορισμένων επικίνδυνων ουσιών σε είδη ηλεκτρικού και ηλεκτρονικού εξοπλισμού"

και ότι εφαρμόζονται τα παρακάτω πρότυπα ή/και
τεχνικές προδιαγραφές: EN ISO 5395-1:2013/A1:2018,
EN ISO 5395-2:2013/A1:2016/A2:2017, EN ISO
14982:2009, EN IEC 63000:2018

Κοινοποιημένος φορέας: O 0404, RISE SMP Svensk
Maskinprovning AB, Box 4053, SE-904 03 Umeå,
Sweden έχει πιστοποιήσει τη συμμόρφωση με
την οδηγία 2000/14/EK του Συμβουλίου, διαδικασία
αξιολόγησης συμμόρφωσης: Παράρτημα VI.

Για πληροφορίες σχετικά με τις εκπομπές θορύβου,
ανατρέξτε στην ενότητα *Τεχνικά στοιχεία στη σελίδα 88*.

Huskvarna, 2022-09-29



Claes Losdal, Υπεύθυνος ανάπτυξης/Προϊόντα κήπου
Husqvarna AB

Υπεύθυνος για την τεχνική τεκμηρίωση



Contenido

Introducción.....	92	Mantenimiento.....	99
Seguridad.....	93	Transporte, almacenamiento y eliminación.....	102
Montaje.....	96	Datos técnicos.....	103
Funcionamiento.....	98	Declaración de conformidad.....	105

Introducción

Descripción del producto

El producto es un cortacésped giratorio conducido a pie. La hierba se recoge en un recogedor de césped. Retire el recogedor de césped para utilizar la descarga trasera de hierba. Fije un kit de trituración (accesorio) para cortar la hierba y utilizarla como abono.

Descripción del producto

(Fig. 1)

1. Palanca del freno del motor
2. Manillar
3. Ajuste de velocidad
4. Palanca de la transmisión
5. Empuñadura de la cuerda de arranque
6. Recogedor de césped
7. Ajuste de la altura del manillar
8. Control de la altura de corte

Descripción del producto

(Fig. 2)

1. Manillar
2. Control del freno de la cuchilla (LC 551VBP)
3. Control de velocidad/acelerador (LC 551VBP)
4. Palanca de la transmisión (LC 551VBP)
5. Inhibidor de arranque (LC 551VBP)
6. Empuñadura de la cuerda de arranque
7. Recogedor de césped
8. Ajuste de la altura del manillar
9. Control de la altura de corte
10. Varilla de nivel/depósito de aceite
11. Cubierta del equipo de corte
12. Silenciador
13. Bujía
14. Filtro de aire
15. Depósito de combustible
16. Cubierta trasera
17. Palanca del freno del motor (LC 551SP)
18. Acelerador (LC 551SP)
19. Palanca de la transmisión (LC 551SP)
20. Manual de usuario

Uso previsto

Utilice el producto para cortar hierba. No utilice el producto para otras tareas.

9. Varilla de nivel/depósito de aceite
10. Cubierta del equipo de corte
11. Silenciador
12. Bujía
13. Filtro de aire
14. Depósito de combustible
15. Cubierta trasera
16. Manual de usuario

Símbolos que aparecen en el producto

- (Fig. 3) Un uso negligente o erróneo puede provocar lesiones o la muerte al usuario o a los transeúntes.
- (Fig. 4) Lea detenidamente el manual de usuario y asegúrese de que entiende las instrucciones antes de usar la máquina.
- (Fig. 5) Mantenga a las personas y animales a una distancia de seguridad respecto al área de trabajo.
- (Fig. 6) Detenga el motor y desconecte el cable de encendido antes de realizar tareas de mantenimiento o reparación.
- (Fig. 7) Aceite
- (Fig. 8) Rápido
- (Fig. 9) Lento
- (Fig. 10) Pare el motor

- | | | | |
|-----------|--|-----------|---|
| (Fig. 11) | Estrangulador | (Fig. 21) | Riesgo de explosión. |
| (Fig. 12) | Embrague de la cuchilla | (Fig. 22) | Superficie caliente |
| (Fig. 13) | Tenga cuidado con los objetos que salgan despedidos o rebotados. | (Fig. 23) | El motor se entrega sin aceite. |
| (Fig. 14) | Mantenga alejados los pies y las manos de la cuchilla cuando esté girando. | (Fig. 24) | Añada aceite antes de utilizar el producto. |
| (Fig. 15) | Mantenga alejados pies y manos de todas las piezas giratorias. | (Fig. 25) | No utilice combustible E85. |
| (Fig. 16) | Este producto cumple con las directivas de la UE vigentes. | (Fig. 26) | Mantenga el producto alejado de llamas vivas. |
| (Fig. 17) | Este producto cumple con las directivas del Reino Unido vigentes. | (Fig. 27) | Código escaneable. |
| (Fig. 18) | Etiqueta de emisiones sonoras al medio ambiente conforme con las directivas y normativas europeas y del Reino Unido, y con la regulación de 2017 sobre de protección del medioambiente (control de ruidos) (Protection of the Environment Operations - Noise Control) de la legislación de Nueva Gales del Sur. El nivel de potencia acústica garantizado del producto se especifica en el apartado <i>Datos técnicos en la página 103</i> y en la etiqueta. | | |
| (Fig. 19) | Los gases de escape del motor contienen monóxido de carbono, que es un gas inodoro, tóxico y muy peligroso. No use el producto en interiores ni en espacios cerrados. | | |
| (Fig. 20) | No use el producto en interiores ni en espacios cerrados. | | |

Nota: Otros símbolos/etiquetas del producto hacen referencia a los requisitos legales específicos del mercado.

Emisiones Euro V



ADVERTENCIA: La manipulación del motor anula la homologación de la UE de este producto.

Responsabilidad sobre el producto

Como se estipula en las leyes de responsabilidad del producto, no nos hacemos responsables de los daños y perjuicios causados por nuestro producto si:

- El producto se ha reparado incorrectamente.
- El producto se ha reparado con piezas que no eran del fabricante o no autorizadas por el fabricante.
- El producto tiene un accesorio que no es del fabricante o no está autorizado por este.
- El producto no se ha reparado en un centro de servicio autorizado o por un organismo homologado.

Seguridad

Definiciones de seguridad

Las advertencias, precauciones y notas se utilizan para destacar información especialmente importante del manual.



ADVERTENCIA: Indica un riesgo de lesiones o incluso de muerte del usuario o de las personas cercanas si no se respetan las instrucciones del manual.



PRECAUCIÓN: Indica un riesgo de daños en el producto, otros materiales o

el área adyacente si no se respetan las instrucciones del manual.

Nota: Se usa para proporcionar más información necesaria en una situación determinada.

Instrucciones generales de seguridad



ADVERTENCIA: Lea las siguientes instrucciones de advertencia antes de utilizar el producto.

- Este producto es una herramienta peligrosa si se usa incorrectamente o si no se tiene cuidado. Puede

causar lesiones graves o incluso la muerte si no siguen las instrucciones de seguridad.

- Este producto genera un campo electromagnético durante el funcionamiento. Este campo magnético puede, en determinadas circunstancias, interferir con implantes médicos activos o pasivos. Para reducir el riesgo de que se den condiciones que provocarían lesiones graves o letales, las personas que utilizan implantes médicos deben consultar con su médico y con el fabricante del implante antes de poner en marcha este producto.
- Proceda siempre con cuidado y utilice siempre el sentido común. Si no está seguro de cómo manejar el producto en una situación especial, pare y consulte con su distribuidor Husqvarna antes de continuar.
- Debe tenerse en cuenta que el operador será responsable de los accidentes que involucren a otras personas o a su propiedad.
- Mantenga el producto limpio. Asegúrese de que puede leer claramente las etiquetas.
- No permita que nadie utilice el producto a menos que se asegure de que haya leído y comprendido el contenido del manual de usuario.
- No deje que un niño maneje el producto.
- Mantenga a los niños alejados de la zona de trabajo. Debe haber presente en todo momento una persona mayor de edad responsable.
- No permita que nadie maneje el producto sin conocer las instrucciones.
- Si una persona con discapacidad física o mental usa el producto, asegúrese de supervisarla en todo momento. Debe haber presente en todo momento una persona mayor de edad responsable.
- No utilice el producto si está cansado, enfermo o si se encuentra bajo los efectos de alcohol, drogas o medicamentos. Esto tiene un efecto negativo en su visión, vigilancia, coordinación y capacidad de decisión.
- No utilice el producto si está defectuoso.
- No modifique este producto ni lo utilice si puede haber sido modificado por otras personas.
- No cambie el ajuste del régimen del motor.

Seguridad en el área de trabajo



ADVERTENCIA: Lea las siguientes instrucciones de advertencia antes de utilizar el producto.

- Retire objetos tales como ramas, palos y piedras de la zona de trabajo antes de usar el producto.
- Los objetos que chocan contra el equipo de corte pueden salir despedidos y causar daños a personas y objetos. Mantenga a las personas y los animales a una distancia de seguridad respecto al producto.
- No utilice el producto en condiciones climáticas desfavorables, como niebla, lluvia, viento fuerte, frío intenso y riesgo de relámpagos. El uso del

producto en condiciones climáticas desfavorables o en entornos húmedos o mojados produce mucho cansancio. El mal tiempo puede causar condiciones peligrosas, como superficies resbaladizas.

- Preste atención a las personas, objetos y situaciones que puedan impedir el funcionamiento seguro del producto.
- Tenga cuidado con los posibles obstáculos, como raíces, piedras, ramas, hoyos y zanjas. El césped crecido puede esconder obstáculos.
- Cortar el césped en pendientes puede resultar peligroso. No utilice el producto en pendientes de más de 15°.
- Utilice el producto a lo largo de las laderas de las pendientes. No se desplace hacia arriba y hacia abajo.
- Tenga cuidado cuando se acerque a esquinas y objetos escondidos que puedan bloquear su campo de visión.

Seguridad en el trabajo



ADVERTENCIA: Lea las siguientes instrucciones de advertencia antes de utilizar el producto.

- Utilice este producto para cortar solamente césped. No está permitido utilizar el producto para otras tareas.
- Utilice el equipo de protección personal. Consulte la sección *Equipo de protección personal en la página 95*.
- Asegúrese de que sabe cómo detener el motor rápidamente en caso de emergencia.
- Nunca arranque el motor en un espacio cerrado ni cerca de materiales inflamables. Los gases de escape del motor están calientes y pueden contener chispas que pueden provocar un incendio.
- No utilice el producto a menos que la cuchilla y todas las cubiertas estén fijadas correctamente. Una cuchilla fijada incorrectamente puede soltarse y provocar daños personales.
- Asegúrese de que la cuchilla no golpea ningún objeto, como piedras y raíces. Esto puede causar daños a la cuchilla y doblar el eje del motor. Un eje doblado causa vibraciones excesivas y un riesgo muy alto de que la cuchilla se suelte.
- Si la cuchilla choca con algún objeto o si se producen vibraciones, pare el producto inmediatamente. Desconecte el cable de encendido de la bujía. Examine el producto para comprobar si presenta daños. Repare los daños o lleve el producto a un taller de servicio autorizado para realizar la reparación.
- No acople la maneta del freno del motor permanentemente al mango cuando el motor esté encendido.

- Ponga el producto en una superficie plana y estable, y arránquelo. Asegúrese de que la cuchilla no entre en contacto con el suelo u otros objetos.
- Manténgase siempre detrás del producto durante su uso.
- Mientras utilice el producto, mantenga todas las ruedas apoyadas en el suelo y las dos manos en el manillar. Mantenga alejados las manos y los pies de las cuchillas giratorias.
- No incline el producto con el motor en marcha.
- Tenga cuidado cuando tire del producto hacia atrás.
- Nunca levante el producto con el motor en marcha. Si tiene que levantar el producto, primero apague el motor y desconecte el cable de encendido de la bujía.
- No camine hacia atrás mientras utiliza el producto.
- Detenga el motor cuando se desplace por áreas sin hierba, por ejemplo, caminos de grava, piedra y asfalto.
- No corra con el producto con el motor en marcha. Camine siempre mientras utiliza el producto.
- Detenga el motor antes de cambiar la altura de corte. Nunca realice ajustes con el motor en marcha.
- No deje el producto desatendido con el motor en marcha. Pare el motor y asegúrese de que el equipo de corte no gire.
- No utilice ningún producto con dispositivos de seguridad dañados o que no funcionen correctamente.
- Realice una comprobación de los dispositivos de seguridad con frecuencia. Si los dispositivos de seguridad están dañados o no funcionan correctamente, póngase en contacto con su taller de servicio Husqvarna.
- No realice ninguna modificación en los dispositivos de seguridad.

Comprobación de la cubierta del equipo de corte

La cubierta del equipo de corte disminuye las vibraciones en el producto y el riesgo de lesiones provocadas por la cuchilla.

- Examine la cubierta de corte para asegurarse de que no haya daños como, por ejemplo, grietas.

Comprobación de la maneta de freno del motor (LC 551SP, LC 551VQ)

La maneta del freno del motor detiene el motor. Cuando se suelta la maneta del freno del motor, el motor se para.

- Arranque el motor y, a continuación, suelte la maneta de freno. Si el motor no se detiene en 3 segundos, lleve el producto a un taller de servicio Husqvarna autorizado para realizar el ajuste del freno del motor. (Fig. 28)

Instrucciones de seguridad para el funcionamiento

Equipo de protección personal



ADVERTENCIA: Lea las siguientes instrucciones de advertencia antes de utilizar el producto.

- El equipo de protección personal no elimina completamente el riesgo de lesiones, pero reduce la gravedad de las lesiones en caso de accidente. Deje que el distribuidor le ayude a seleccionar el equipo adecuado.
- Utilice protectores auriculares si el nivel de ruido es superior a 85 dB.
- Utilice botas o zapatos de trabajo antideslizantes. No utilice calzado abierto ni vaya descalzo.
- Utilice pantalones largos gruesos.
- Utilice guantes protectores cuando sea necesario, por ejemplo, para el montaje, inspección o limpieza del equipo de corte.

Dispositivos de seguridad en el producto



ADVERTENCIA: Lea las siguientes instrucciones de advertencia antes de utilizar el producto.

Comprobación del control del freno de la cuchilla y el bloqueo de arranque (LC 551VBP)

El control del freno de la cuchilla detiene la cuchilla exclusivamente, no del motor. Cuando se suelta el control del freno de la cuchilla, la cuchilla se para.

1. Arranque el motor.
2. Oprima el control del freno de la cuchilla contra el manillar. El inhibidor de arranque impide el movimiento.
3. Presione el inhibidor de arranque.
4. Oprima el control del freno de la cuchilla contra el manillar. La cuchilla empieza a girar.
5. Suelte el freno de la cuchilla. Si la cuchilla no se detiene en 3 segundos, lleve el producto a un taller de servicio Husqvarna autorizado para realizar el ajuste del freno de la cuchilla. (Fig. 29)
6. Asegúrese de que el inhibidor de arranque vuelve a su posición inicial.

Silenciador

El silenciador mantiene al mínimo los niveles de ruido y aparta los gases de escape del operador.

No utilice el producto si el silenciador no está instalado o está defectuoso. Un silenciador defectuoso aumenta el nivel de ruido y el riesgo de incendio.



ADVERTENCIA: El silenciador se calienta mucho durante y después de su uso, y cuando el motor funciona a ralentí. Tenga cuidado cerca de materiales inflamables o gases para evitar incendios.

Comprobación del silenciador

- Examine el silenciador con frecuencia para asegurarse de que está montado correctamente y que no está dañado.

Seguridad en el uso del combustible



ADVERTENCIA: Lea las siguientes instrucciones de advertencia antes de utilizar el producto.

- No arranque el producto si está manchado con combustible o aceite del motor. Retire el combustible/aceite no deseado y deje secar el producto.
- Si derrama combustible sobre la ropa, cámbiese inmediatamente.
- Evite el contacto con el combustible; puede provocarle lesiones. Si entra en contacto con el combustible, utilice agua y jabón para eliminar el combustible.
- No arranque el motor si el producto tiene una fuga. Examine frecuentemente si hay fugas en el motor.
- Tenga cuidado con el combustible. El combustible es inflamable, sus vapores son explosivos y puede provocar lesiones o la muerte.
- No inhale los vapores de combustible, ya que pueden causar lesiones. Asegúrese de que hay ventilación suficiente.
- No fume cerca del combustible o el motor.
- No coloque objetos calientes cerca del combustible o el motor.
- No agregue el combustible con el motor encendido.
- Asegúrese de que el motor esté frío antes de repostar.
- Antes de repostar, abra la tapa del depósito de combustible lentamente y deje salir el exceso de presión con cuidado.
- No añada combustible al motor en interiores. Una circulación de aire insuficiente puede causar lesiones o la muerte por asfixia o inhalación de monóxido de carbono.

- Apriete el tapón del depósito de combustible completamente. Si el tapón del depósito de combustible no se aprieta, existe riesgo de incendio.
- Antes de arrancar el producto, llévalo a 3 m (10 pies) de distancia como mínimo del punto en el que llenó el depósito.
- No llene el depósito de combustible por completo. El calor hace que el combustible se expanda. Deje espacio en la parte superior del depósito de combustible.

Instrucciones de seguridad para el mantenimiento



ADVERTENCIA: Lea las siguientes instrucciones de advertencia antes de utilizar el producto.

- Los gases de escape del motor contienen monóxido de carbono, que es un gas inodoro, tóxico y muy peligroso. No arranque el motor en interiores ni en espacios cerrados.
- Antes de realizar el mantenimiento del producto, detenga el motor y desconecte el cable de encendido de la bujía.
- Utilice guantes protectores cuando realice el mantenimiento del equipo de corte. La cuchilla está muy afilada y se pueden producir cortes con mucha facilidad.
- Los accesorios y modificaciones en el producto que no estén aprobados por el fabricante pueden causar daños graves o la muerte. No modifique el producto. Utilice siempre accesorios autorizados por el fabricante.
- Si el mantenimiento no se realiza correctamente y de forma regular, aumenta el riesgo de lesiones y daños en el producto.
- Realice únicamente las tareas de mantenimiento que se indican en este manual del propietario. Todos los demás trabajos de mantenimiento deben llevarse a cabo en un taller de servicio Husqvarna autorizado.
- Lleve el producto a un taller de servicio Husqvarna autorizado para realizar el mantenimiento de forma regular.
- Cambie las piezas dañadas, desgastadas o rotas.

Montaje

Introducción



ADVERTENCIA: Antes de montar el producto, debe leer y entender el capítulo sobre seguridad.



ADVERTENCIA: Retire el cable de la bujía antes de montar el producto.

Montaje del manillar

1. Afloje las ruedecillas inferiores a la izquierda y la derecha del producto. Asegúrese de que la arandela de plástico se encuentra en el hueco del soporte del manillar. (Fig. 30)
2. Coloque el mango plegado hacia delante, como se muestra en la ilustración. (Fig. 31)
 - a) Asegúrese de que la arandela de plástico se encuentre entre el manillar y su soporte.
 - b) Fije el manillar a su soporte.
3. Levante el manillar hacia arriba. (Fig. 32)
4. Apriete las ruedecillas a fondo. Para ajustar la altura del manillar, consulte la sección *Para regular la altura del manillar en la página 97*.
5. Coloque los cables en los soportes para cables. Asegúrese de que los cables no queden retorcidos. Fije los soportes para cables al manillar. (Fig. 33)
6. Utilice una brida para fijar los cables al soporte del manillar. (Fig. 34)

Para regular la altura del manillar

1. Afloje las ruedecillas inferiores.
2. Mueva las ruedecillas hacia el extremo inferior de las ranuras en el lado izquierdo y derecho del producto. (Fig. 35)
3. Ajuste la altura del manillar en una de las dos posiciones disponibles.
4. Mueva las ruedecillas hacia arriba, en dirección del manillar, hasta que alcancen el final de su recorrido y escuche un clic. (Fig. 36)
5. Apriete las ruedecillas a fondo.

Para ajustar el producto en la posición de transporte

1. Retire el recogedor de césped.
2. Afloje las ruedecillas inferiores.
3. Mueva las ruedecillas hacia el extremo inferior de las ranuras en el lado izquierdo y derecho del producto. (Fig. 35)
4. Doble el mango hacia delante. (Fig. 37)

Ajuste del producto en la posición de trabajo

1. Levante el manillar hacia arriba. (Fig. 32)
2. Mueva las ruedecillas hacia arriba, en dirección del manillar, hasta que alcancen el final de su recorrido y escuche un clic. (Fig. 36)

3. Apriete las ruedecillas a fondo.

Para montar el recogedor de césped

1. Coloque el bastidor del recogedor de césped en la bolsa de hierba con la parte rígida de la bolsa en la parte inferior. Mantenga el asa del bastidor en la parte superior de la bolsa para césped. (Fig. 38)
2. Fije la parte inferior del bastidor del recogedor de césped a la parte inferior de la bolsa de tela para hierba. (Fig. 39)
 - a) Presione el bastidor del recogedor de césped en la ranura. Empiece por el lado derecho, como se muestra en la ilustración, y avance gradualmente hacia la izquierda.
3. Si el bastidor del recogedor no es fácil de fijar, golpéelo suavemente con un mazo de goma. Golpee el bastidor del recogedor de césped entre los refuerzos. (Fig. 40)
4. Fije la bolsa para césped al bastidor del recogedor de césped con los clips. (Fig. 41)
5. Levante la cubierta trasera.
6. Encaje el recogedor de césped en el borde superior del chasis.
7. Coloque la parte inferior del recogedor de césped en el canal de descarga. (Fig. 42)

Para montar el triturador (accesorio)

1. Levante la cubierta trasera y extraiga el recogedor de césped.
2. Coloque el accesorio triturador en el canal de descarga. (Fig. 43)
3. Sustituya la cuchilla por la cuchilla trituradora que se suministra en el kit de trituración. Consulte la sección *Sustitución de la cuchilla en la página 100*.

Para cortar el césped sin un recogedor de césped o un triturador instalado

- Levante la cubierta trasera y extraiga el recogedor de césped.
- Si hay un triturador y una cuchilla trituradora instalados, retírelos.
- Cierre la cubierta posterior antes de utilizar el producto.

Cuando se utiliza el producto, la hierba cortada se expulsa por debajo de la cubierta posterior.

Funcionamiento

Introducción



ADVERTENCIA: Antes de utilizar el producto, debe leer y entender el capítulo sobre seguridad.

Husqvarna Connect

Husqvarna Connect es una aplicación gratuita para su dispositivo móvil. La aplicación Husqvarna Connect proporciona más funciones para su producto Husqvarna:

- Información ampliada sobre el producto.
- Información y asistencia sobre piezas y mantenimiento de productos.

Para empezar a utilizar Husqvarna Connect

1. Descargue la aplicación Husqvarna Connect en su dispositivo móvil.
2. Registre una cuenta en la aplicación Husqvarna Connect.
3. Siga las instrucciones de la aplicación Husqvarna Connect para conectarse y registrar el producto.

Antes de utilizar el producto

1. Lea detenidamente el manual de usuario y asegúrese de que entiende las instrucciones.
2. Examine el equipo de corte para asegurarse de que está conectado y ajustado correctamente. Consulte *Para inspeccionar el equipo de corte en la página 100*.
3. Llene el depósito de combustible. Consulte *Repostaje de combustible en la página 98*.
4. Llene el depósito de aceite y realice una comprobación del nivel de aceite. Consulte *Comprobación del nivel de aceite en la página 101*.

Repostaje de combustible

Si es posible, utilice de gasolina de bajas emisiones/alquilatos. Si no puede utilizar gasolina de bajas emisiones/alquilatos, utilice una gasolina sin plomo o gasolina con plomo de buena calidad con un octanaje no inferior a 90.



PRECAUCIÓN: No utilice gasolina con un octanaje inferior a 90 octanos RON (87 AKI). Esto puede provocar daños en el producto.

1. Abra el tapón del depósito de combustible lentamente para liberar la presión.

2. Llene lentamente con una lata de combustible. Si derrama combustible, límpielo con un paño y deje que el combustible restante se seque. (Fig. 44)
3. Limpie la zona de alrededor del tapón del depósito de combustible.
4. Apriete el tapón del depósito de combustible completamente. Si el tapón del depósito de combustible no se aprieta, existe riesgo de incendio.
5. Antes de arrancarlo, lleve el producto a 3 m (10 pies) de distancia como mínimo del punto en el que llenó el depósito.

Ajuste de la altura de corte

La altura de corte puede ajustarse en 6 niveles.

1. Empuje el control de altura de corte en la dirección de la rueda y, a continuación, hacia atrás para aumentar la altura de corte.
2. Empuje el control de altura de corte en la dirección de la rueda y, a continuación, hacia delante para reducir la altura de corte. (Fig. 45)



PRECAUCIÓN: No ajuste la altura de corte demasiado baja. Las cuchillas pueden golpear el suelo si la superficie del césped no está nivelada.

Arranque del producto (LC 551VQ)

1. Asegúrese de que el cable de encendido está conectado a la bujía.
2. Permanezca detrás del producto.
3. Sujete la maneta del freno del motor contra el manillar. (Fig. 46)
4. Sostenga la empuñadura de arranque con la mano derecha.
5. Tire lentamente de la cuerda de arranque hasta sentir cierta resistencia.
6. Tire con fuerza para arrancar el motor.

Arranque del producto (LC 551SP, LC 551VBP)

1. Asegúrese de que el cable de encendido está conectado a la bujía.
2. Manténgase detrás del producto.
3. Ajuste el acelerador.
 - a) Si el motor está frío, coloque el acelerador en la posición de estrangulamiento. (Fig. 47)
 - b) Si el motor está caliente, no coloque el acelerador en la posición de estrangulamiento.
4. En el modelo LC 551SP, sujete la maneta del freno del motor contra el manillar. (Fig. 46)

5. Sostenga la empuñadura de arranque con la mano derecha.
6. Tire lentamente de la cuerda de arranque hasta sentir cierta resistencia.
7. Tire con fuerza para arrancar el motor.
8. Ponga el acelerador en la posición de aceleración máxima.
9. En el modelo LC 551VBP:
 - a) Suelte el inhibidor de arranque.
 - b) Empuje el control del freno de la cuchilla en la dirección del manillar para arrancar la cuchilla.

Para usar de la transmisión en las ruedas

- Tire del mango de transmisión hacia el manillar. (Fig. 48)
- En el modelo LC 551VQ y el modelo LC 551VBP: Ajuste el régimen con el control de régimen situado en el lado izquierdo del manillar. Mueva el ajuste de régimen hacia delante para aumentar el régimen del motor y hacia atrás para reducirlo. (Fig. 49)
- Antes de tirar del producto hacia atrás, desacople la transmisión y empuje el producto hacia adelante aproximadamente 10 cm.
- Suelte el mango de transmisión para desacoplar la transmisión, por ejemplo, cuando se acerque a un obstáculo.

Parada del producto (LC 551SP, LC 551VQ)

- Para detener solo la transmisión, basta con soltar el mango de transmisión.

- Para detener el motor, suelte la maneta del freno del motor.

Parada del producto (LC 551VBP)

- Para detener solo la transmisión, basta con soltar la palanca de la transmisión.
- Para detener el motor, desplace el acelerador a la posición Stop.

Para obtener un buen resultado

- Use siempre una cuchilla afilada. Una cuchilla roma proporciona un resultado irregular y la superficie de corte de la hierba adquiere un tono amarillo. Una cuchilla afilada también utiliza menos energía que una cuchilla roma.
- No corte más de $\frac{1}{3}$ de la longitud del césped. Corte primero con una altura de corte alta. Examine el resultado y baje la altura de corte al nivel que corresponda. Si la hierba está muy larga, vaya despacio y corte dos veces si es necesario.
- Corte en direcciones distintas cada vez para evitar crear rayas en el césped.
- Mantenga limpia la cubierta del equipo de corte. La acumulación de hierba y suciedad en el interior de esta cubierta puede reducir el resultado del corte. Consulte la sección *Para limpiar la superficie interior de la cubierta de corte en la página 100*.

Mantenimiento

Introducción



ADVERTENCIA: Antes de realizar cualquier trabajo de mantenimiento, debe leer y entender el capítulo sobre seguridad.

Para todos los trabajos de mantenimiento y reparación del producto, es necesario realizar una formación especial. Husqvarna garantiza que los trabajos de mantenimiento y reparación sean realizados por profesionales. Si su distribuidor no es un taller de servicio, pídale información sobre el taller de servicio más cercano.

Para obtener información detallada, consulte www.husqvarna.com.

Programa de mantenimiento



PRECAUCIÓN: Asegúrese de que el filtro de aire esté hacia arriba y no contra el suelo cuando incline el producto. Podría dañar el motor.

Los intervalos de mantenimiento se calculan a partir del uso diario del producto. Los intervalos cambian si el producto no se utiliza a diario.

Para las tareas de mantenimiento identificadas con un asterisco (*), consulte las instrucciones de *Dispositivos de seguridad en el producto en la página 95*.

Mantenimiento	Diario	Semanal	Mensualmente
Inspección general	X		

Mantenimiento	Diario	Semanal	Mensualmente
Compruebe el nivel de aceite	X		
Limpie el producto	X		
Inspeccione el equipo de corte	X		
Examine la cubierta de corte *	X		
Examine la maneta del freno del motor* LC 551SP, LC 551VQ	X		
Examine el control del freno de la cuchilla* LC 551VBP	X		
Inspeccione el silenciador*		X	
Inspeccione la bujía		X	
Reponga el aceite (la primera vez a las 5 horas de uso; después, cada 50 h de uso y anualmente)			X
Limpie o sustituya el filtro de aire			X
Inspeccione el sistema de combustible			X

Para realizar una inspección general

- Asegúrese de que todas las tuercas y los tornillos del producto estén apretados correctamente.

Limpieza del producto

- Limpie las piezas de plástico con un paño limpio y seco.
- No utilice agua para limpiar el producto. El agua puede entrar en la batería o el motor y causar un cortocircuito o daños en el producto.
- No utilice una hidrolimpiadora para limpiar el producto.
- No vierta agua directamente sobre el motor.
- Use un cepillo para retirar las hojas, la hierba y la suciedad.
- Retire la cubierta del embrague y utilice un cepillo para quitar la hierba que haya alojada debajo. (LC 551VBP)

Para limpiar la superficie interior de la cubierta de corte

1. Vacíe el depósito de combustible.
2. Apoye el producto sobre su costado con el silenciador hacia abajo.



PRECAUCIÓN: Si el producto se pone con el filtro de aire hacia abajo, el motor puede dañarse.

3. Limpie la superficie interior de la cubierta de corte con una manguera de agua.

Para inspeccionar el equipo de corte



ADVERTENCIA: Para evitar el arranque accidental, desconecte el cable de encendido de la bujía.



ADVERTENCIA: Utilice guantes protectores cuando realice el mantenimiento del equipo de corte. La cuchilla está muy afilada y se pueden producir cortes con mucha facilidad.

1. Inspeccione el equipo de corte para comprobar si presenta daños o grietas. Sustituya siempre un equipo de corte dañado.
2. Inspeccione la cuchilla para comprobar si está dañada o roma.

Nota: Después de afilar la cuchilla, es necesario equilibrarla. El afilado, la sustitución y el equilibrado de la cuchilla deben realizarse en un centro de servicio. Si choca con un obstáculo que haga que el producto se pare, sustituya la cuchilla dañada. Lleve el producto a un centro de servicio, donde estimarán si la cuchilla puede afilarse o debe sustituirse.

Sustitución de la cuchilla

1. Bloquee la cuchilla con un bloque de madera. (Fig. 50)
2. Retire el tornillo de la cuchilla.
3. Extraiga la cuchilla.
4. Inspeccione el soporte de la cuchilla y el tornillo de la cuchilla para observar si hay daños.

5. Inspeccione el eje del motor para asegurarse de que no está doblado.
6. Cuando instale la nueva cuchilla, colóquela con los extremos en ángulo en dirección a la cubierta de corte. (Fig. 51)
7. Asegúrese de que la cuchilla quede alineada con el centro del eje del motor.
8. Bloquee la cuchilla con un bloque de madera. (Fig. 52)
9. Coloque la cuchilla.
 - a) En los modelos LC 551SP y LC 551VQ, coloque la arandela de presión, y apriete el perno y la arandela con un par de 70 Nm.
 - b) En el modelo LC 551VBP, apriete los pernos. a un par de 50 Nm. (Fig. 53)
10. Mueva la cuchilla en distintas direcciones manualmente y compruebe que gira libremente.



ADVERTENCIA: Utilice guantes de protección de alta resistencia. La cuchilla está muy afilada y puede producir cortes con mucha facilidad.

11. Arranque el producto para hacer una prueba de la cuchilla. Si la cuchilla no está correctamente fijada, se producirán vibraciones en el producto o el resultado del corte no será satisfactorio.

Comprobación del nivel de aceite



PRECAUCIÓN: Un nivel de aceite demasiado bajo puede causar daños en el motor. Compruebe el nivel de aceite antes de arrancar el producto.

1. Coloque el producto sobre una superficie nivelada.
2. Retire el tapón del depósito de aceite con la varilla de nivel acoplada.
3. Limpie el aceite de la varilla de nivel de aceite.
4. Coloque la varilla de nivel totalmente en el interior del depósito de aceite. Apriete el tapón del depósito de aceite para asegurarse de que se obtiene una imagen correcta del nivel de aceite.
5. Extraiga la varilla de nivel.
6. Compruebe el nivel de aceite que indica la varilla.
7. Si el nivel de aceite es bajo, rellene el depósito con aceite de motor y vuelva a comprobar el nivel.

(Fig. 54)

Nota: Utilice un embudo para evitar derrames.

Sustitución del aceite del motor



ADVERTENCIA: El aceite del motor está muy caliente inmediatamente después de apagar el motor. Deje que el motor se enfríe antes de vaciar el aceite del motor. Si derrama aceite del motor y entra en contacto con la piel, lávese con agua y jabón.

(Fig. 55)

1. Quite el cable de encendido de la bujía.
2. Retire el tapón del depósito de aceite.
3. Extraiga el aceite del motor.
 - a) En modelos con tapón de drenaje de aceite: Coloque un recipiente debajo del producto para recoger el aceite del motor.
 - b) En modelos sin tapón de drenaje de aceite o si no es posible colocar un recipiente debajo del tapón de drenaje de aceite: Utilice una bomba de drenaje de aceite (accesorio) para vaciar el aceite de motor del depósito.
4. Llene el depósito con aceite de motor nuevo del tipo recomendado en *Datos técnicos en la página 103*.
5. Compruebe el nivel de aceite. Consulte *Comprobación del nivel de aceite en la página 101*.

Llenado y cambio del aceite del motor

- Para más información sobre cómo llenar y cambiar el aceite del motor, consulte el manual de usuario del motor.

Limpieza y cambio del filtro de aire (LC 551SP, LC 551VBP)

- Para más información sobre cómo limpiar y sustituir el filtro de aire, consulte el manual de usuario del motor.

Montaje y desmontaje del filtro de aire (LC 551VQ)



ADVERTENCIA: Utilice guantes protectores.

1. Presione las fijaciones de la tapa del filtro de aire.
2. Retire con cuidado la tapa del filtro de aire (A) del motor.
3. Retire el filtro de aire (B) y el filtro de espuma (C). (Fig. 56)
4. Compruebe si el filtro de aire está dañado. Sustituya el filtro de aire si está dañado.
5. Limpie y examine el filtro de aire. Consulte *Limpieza del filtro de aire (LC 551VQ) en la página 102*.

6. Para el montaje, efectúe el mismo procedimiento en el orden inverso.

Limpieza del filtro de aire (LC 551VQ)



PRECAUCIÓN: No utilice el motor sin un filtro de aire instalado ni si el filtro de aire está sucio.



PRECAUCIÓN: Sustituya el filtro de aire si no se puede limpiar del todo o está dañado. Un filtro de aire defectuoso provoca daños en el motor.

1. Empuje las lengüetas (A), extraiga la cubierta del filtro de aire (B) y extraiga el filtro de aire (C). (Fig. 57)
2. Golpee el filtro de aire sobre una superficie dura o soplo aire comprimido a través del filtro desde su lado limpio.



PRECAUCIÓN: No utilice un cepillo para quitar la suciedad, ya que esto puede incrustarla en el filtro de aire.

3. Limpie el soporte del filtro de aire (D) y la cubierta del filtro de aire con un trapo húmedo.



PRECAUCIÓN: Asegúrese de que no entre suciedad en el conducto de aire (E).

4. Instale el filtro de aire. Asegúrese de que el filtro de aire quede totalmente sellado contra su soporte.
5. Instale la cubierta del filtro de aire empezando por las pestañas inferiores.

Para examinar la bujía



PRECAUCIÓN: Utilice siempre el tipo de bujía recomendado. El uso de un tipo de

bujía incorrecto puede causar averías en el producto.

- Examine la bujía si el motor tiene baja potencia, no es fácil de arrancar o no funciona correctamente al régimen de ralentí.
- Para reducir el riesgo de material no deseado en los electrodos de la bujía, siga estas instrucciones:
 - a) Asegúrese de que el régimen de ralentí está bien ajustado.
 - b) Asegúrese de que la mezcla de combustible sea correcta.
 - c) Asegúrese de que el filtro de aire esté limpio.
- Si la bujía está sucia, límpiela y asegúrese de que la distancia entre los electrodos sea la correcta, consulte *Datos técnicos en la página 103*. (Fig. 58)
- Sustituya la bujía si fuese necesario.

Para inspeccionar el sistema de combustible

- Examine el tapón del depósito de combustible y la junta del tapón para comprobar que no presenten daños.
- Examine la manguera de combustible para asegurarse de que no haya fugas. Si la manguera de combustible está dañada, lleve el producto a un taller de servicio para sustituirla.

Ajuste del régimen y del acelerador

El ajuste de régimen establece la velocidad de la transmisión. El acelerador ajusta el régimen del motor.



PRECAUCIÓN: No ajuste el régimen cuando el motor está encendido.

1. Para regular la velocidad de la transmisión, gire el tornillo de ajuste (A) para modificar la longitud de la funda del cable. Acorte la funda del cable para aumentar la velocidad de la transmisión.
2. Si no se puede engranar la posición de estrangulamiento o la posición de parada, ajuste el régimen del motor Gire el tornillo de ajuste (B). (Fig. 59)

Transporte, almacenamiento y eliminación

Transporte y almacenamiento

- Para el transporte y almacenamiento del producto y del combustible, asegúrese de que no haya fugas ni humos. Las chispas o llamas abiertas, por ejemplo, de dispositivos eléctricos o calderas, pueden producir un incendio.
- Use siempre recipientes homologados para el transporte y almacenamiento de combustible.

- Vacíe el depósito de combustible antes de poner el producto en almacenamiento durante un largo periodo de tiempo. Deseche el combustible en una ubicación adecuada para su eliminación.
- Asegure el producto durante el transporte para evitar daños y accidentes.
- Mantenga el producto en un área cerrada para impedir el acceso a niños o personas no autorizadas.

- Mantenga el producto en un lugar seco y al abrigo de las heladas.

Eliminación

- Respete los requisitos de reciclaje locales y las normas aplicables.

- Deseche todos los productos químicos, como el aceite de motor o el combustible, en un centro de servicio o una ubicación adecuada para su eliminación.
- Cuando ya no use el producto, envíelo a un distribuidor Husqvarna o deséchelo en un punto de reciclaje.

Datos técnicos

	LC 551SP	LC 551VBP	LC 551VQ
Motor			
Marca	Kawasaki	Kawasaki	Husqvarna
Modelo	FJ180V	FJ180V	HS 166AP
Tipo de motor	Monocilíndrico, 4 tiempos, refrigeración forzada por aire, OHV	Monocilíndrico, 4 tiempos, refrigeración forzada por aire, OHV	Monocilíndrico, 4 tiempos, refrigeración forzada por aire, OHV
Cilindrada, cm ³	179	179	166
Velocidad, rpm	2800	2800	2800
Potencia nominal del motor, kW ³¹	2,9	2,9	2,7
Sistema de encendido			
Bujía	NGK BPR5ES	NGK BPR5ES	Husqvarna HQT-7
Distancia entre los electrodos, mm	0,6-0,8	0,6-0,8	0,7-0,8
Sistema de combustible y lubricación			
Tipo de lubricación del motor	Presión con filtro de aceite	Presión con filtro de aceite	Salpicadura
Capacidad del depósito de combustible, l	1,9	1,9	1,5
Capacidad del depósito de aceite, litros	0,7	0,7	0,5
Aceite del motor ³²	Husqvarna SAE 30	Husqvarna SAE 30	Husqvarna SAE 30
Peso			
Con los depósitos vacíos, kg	48,5	52,5	51,0
Emisiones de ruido ³³			
Nivel de potencia acústica medido, dB(A)	97	96	97
Nivel de potencia acústica garantizado L _{WA} dB(A)	98	98	98

³¹ La potencia nominal del motor indicada es la potencia neta media (al régimen especificado) de un motor de producción típico para el modelo de motor conforme a la norma SAE J1349/ISO1585. Los motores fabricados en serie podrían presentar valores diferentes. La potencia de salida real del motor instalado en el producto final dependerá de la velocidad de funcionamiento, las condiciones medioambientales y otros valores.

³² Si utiliza aceite SAE-30 a una temperatura inferior a +5 °C, existe el riesgo de que el motor no se lubrique correctamente. Esto puede ocasionar daños en el motor. Consulte *Sustitución del aceite del motor en la página 101* para saber cuál es el aceite correcto para temperaturas bajas.

³³ Emisiones sonoras en el entorno medidas como potencia acústica (L_{WA}) según la directiva 2000/14/CE.

	LC 551SP	LC 551VBP	LC 551VQ
Niveles acústicos ³⁴			
Nivel de presión sonora en el oído del usuario, dB(A)	87	84	86
Niveles de vibración ³⁵			
Manillar, m/s ²	4,5	4,5	3,2
Equipo de corte			
Altura de corte, mm	26-74	26-74	26-74
Anchura de corte, mm	510	510	510
Cuchillas	Collect	Collect	Collect
Referencia	5875908-10	5821494-10	5875908-10
Capacidad del recogedor de césped, l	65	65	65
Transmisión			
Velocidad, km/h	4,1	2,8-5	2,8-5

³⁴ Nivel de presión sonora conforme a la norma ISO 5395. Los datos referidos del nivel de presión sonora tienen una dispersión estadística habitual (desviación típica) de 1,2 dB (A).

³⁵ Nivel de vibración conforme a la norma ISO 5395. Los datos referidos del nivel de vibración poseen una dispersión estadística habitual (desviación típica) de 0,2 m/s².

Declaración de conformidad

Declaración de conformidad CE

Nosotros, **Husqvarna AB**, SE-561 82 Huskvarna (Suecia), tel. +46-36-146500, declaramos bajo nuestra exclusiva responsabilidad que el producto:

Descripción	Cortacésped
Marca	Husqvarna
Tipo/Modelo	LC 551SP, LC 551VBP, LC 551VQ
Identificación	Números de serie a partir del año 2022

Cumple las siguientes directivas y normas de la UE:

Norma	Descripción
2006/42/CE	"relativa a las máquinas"
2014/30/UE	"relativa a la compatibilidad electromagnética"
2000/14/CE	"relativa a las emisiones sonoras en el entorno"
2011/65/UE	"relativa a restricciones de utilización de determinadas sustancias peligrosas en aparatos eléctricos y electrónicos"

Y que se aplican las especificaciones técnicas o los estándares siguientes: EN ISO 5395-1:2013/A1:2018, EN ISO 5395-2:2013/A1:2016/A2:2017, EN ISO 14982:2009, EN IEC 63000:2018

Organismo notificado: 0404, RISE SMP Svensk Maskinprovning AB, Box 4053, SE-904 03 Umeå, Sweden ha certificado la conformidad con la Directiva del Consejo 2000/14/CE, Procedimiento de evaluación de conformidad: Anexo VI.

Para obtener información respecto a las emisiones sonoras, consulte *Datos técnicos en la página 103*.

Huskvarna, 2022-09-29



Claes Losdal, director de desarrollo/productos para jardín de Husqvarna AB

Responsable de la documentación técnica



Sisukord

Sissejuhatus.....	106	Hooldamine.....	112
Ohutus.....	107	Transportimine, hoiulepanek ja utiliseerimine.....	115
Kokkupanek.....	110	Tehnilised andmed.....	115
Töö.....	111	Vastavusdeklaratsioon.....	117

Sissejuhatus

Toote kirjeldus

Tooteks on lükatav ja pöörlev muruniiduk. Muru kogutakse rohukogurisse. Kui soovite, et muru väljutataks tagant, eemaldage rohukogur. Selleks et muru lõigataks väetiseks, paigaldage multšimiskomplekt (lisavarustus).

Toote tutvustus

(Joon. 1)

1. Mootori pidurikäepide
2. Käepide/juhtraud
3. Pöörete anduri moodul
4. Veo käepide
5. Käivitusnööri käepide
6. Rohukogur
7. Käepideme kõrguse seadistamine
8. Lõikekõrguse regulaator

Toote tutvustus

(Joon. 2)

1. Käepide/juhtraud
2. Lõiketera piduriregulaator (LC 551VBP)
3. Kiiruseregulaator / gaasihoovastik (LC 551VBP)
4. Veo käepide (LC 551VBP)
5. Käivitustõkesti (LC 551VBP)
6. Käivitusnööri käepide
7. Rohukogur
8. Käepideme kõrguse seadistamine
9. Lõikekõrguse regulaator
10. Mõõtevarras/õlipaak
11. Lõikekorpus
12. Summuti
13. Süüteküünl
14. Õhufilter
15. Kütusepaak
16. Tagumine kate
17. Mootori pidurikäepide (LC 551SP)
18. Gaasihoovastik (LC 551SP)
19. Veo käepide (LC 551SP)
20. Kasutusjuhend

Kasutusotstarve

Kasuta toodet muru pügamiseks. Ära kasuta toodet muude tööde tegemiseks.

9. Mõõtevarras/õlipaak
10. Lõikekorpus
11. Summuti
12. Süüteküünl
13. Õhufilter
14. Kütusepaak
15. Tagumine kate
16. Kasutusjuhend

Sümbolid tootel

- (Joon. 3) Hooletu või väär käitsemine võib põhjustada kehavigastusi või surma kasutajale või juuresolijale.
- (Joon. 4) Enne toote kasutamist lugege kasutusjuhend hoolikalt läbi ja veenduge, et kõik juhised oleksid täiesti arusaadavad.
- (Joon. 5) Teised inimesed ja loomad peavad viibima tööalast ohutus kauguses.
- (Joon. 6) Enne seadme remontimist või hooldamist seisake mootor ja eemaldage süütejuhe.
- (Joon. 7) Õli
- (Joon. 8) Kiire
- (Joon. 9) Aeglane
- (Joon. 10) Mootori seiskamine

- (Joon. 11) Õhuklapp
- (Joon. 12) Lõiketera sidur
- (Joon. 13) Olge ettevaatlik – lenduvate esemete ning tagasipõrkumise oht.
- (Joon. 14) Hoidke käed ja jalad pöörlevast terast eemal.
- (Joon. 15) Hoidke käed ja jalad pöörlevatest osadest eemal.
- (Joon. 16) See toode vastab kehtivatele ELi direktiividele.
- (Joon. 17) See toode vastab kehtivatele UK direktiividele.
- (Joon. 18) Müraremissioonile viitav keskkonnasilt vastavalt ELi ja UK direktiividele ja määrustele ja Uus Lõuna-Walesi õigusaktile „Protection of the Environment Operations (Noise Control) Regulation 2017“. Toote garanteeritud helivõimsuse taseme andmed leiata jaotisest *Tehnilised andmed lk 115* ja sildil
- (Joon. 19) Mootori heitgaasid sisaldavad vingugaasi, mis on lõhnatu, mürgine ja väga ohtlik. Ärge laske seadmel töötada siseruumis või väikesel suletud alal.
- (Joon. 20) Ärge laske seadmel töötada siseruumis või väikesel suletud alal.
- (Joon. 21) Plahvatusoht!

- (Joon. 22) Kuum pind
- (Joon. 23) Mootor tarnitakse ilma õlita.
- (Joon. 24) Enne seadme kasutamist lisage mootorisse õli.
- (Joon. 25) Ärge kasutage kütust E85.
- (Joon. 26) Hoidke toode lahtisest tulest eemal.
- (Joon. 27) Skannitav kood.

Märkus: Muud tootel olevad sümbolid/kleebised viitavad turu spetsiifilistele juriidilistele nõuetele.

Euro V heitmed



HOIATUS: Mootori igasugune modifitseerimine, muutmine või rikumine tähistab toote EL-i tüübikinnituse.

Tootevastutus

Tootevastutusseaduste alusel ei vastuta me tootest tingitud kahjustuste eest, kui:

- toodet on valesti parandatud;
- toote parandamisel on kasutatud osi, mis ei ole tootja poolt valmistatud või heaks kiidetud;
- tootel on kasutatud tarvikut, mis ei ole tootja poolt valmistatud või heaks kiidetud;
- toodet ei ole parandatud volitatud hoolduskeskuses või volitatud isiku poolt.

Ohutus

Ohutuse määratlused

Mõistetega „hoiatus“, „ettevaatus“ ja „märkus“ juhitakse tähelepanu eriti olulistele kohtadele kasutusjuhendis.



HOIATUS: Tähistab kasutusjuhendi juhiste eiramise korral kasutaja või kõrvalseisjate kehavigastuse või surmaga lõppeva õnnetuse ohtu.



ETTEVAATUST: Tähistab kasutusjuhendi juhiste eiramise korral seadme, muude esemete või läheduses asuvate objektide kahjustamise ohtu.

Märkus: Tähistab antud olukorras vajalikku lisateavet.

Üldised ohutuseeskirjad



HOIATUS: Enne seadme kasutamist lugege läbi järgnevad hoiatused.

- Toode on ohtlik, kui seda kasutada valesti või ettevaatamatult. Ohutuseeskirjade eiramine võib põhjustada kehavigastuse või surma.
- Seade tekitab töötades elektromagnetvälja. Teatud tingimustel võib väli häirida aktiivsete või passiivsete meditsiiniliste implantaatide tööd. Raskete või surmaga lõppevate kehavigastuste ohu vähendamiseks soovime meditsiinilisi implantaate

kasutataval inimestel pidada enne selle seadme kasutamist nõu oma arsti ja implantaadi valmistajaga.

- Olge alati ettevaatlik ja kasutage tervet mõistust. Kui te pole kindel, kuidas toodet eriolukorras kasutada, lõpetage töö ja pidage enne jätkamist nõu Husqvarna edasimüüjaga.
- Arvestage, et teiste isikute ja nende varaga seotud õnnetuste korral kannab vastutust seadme kasutaja.
- Hoidke toode puhas. Veenduge, et märgid ja tähised oleksid selgelt loetavad.
- Ärge lubage kellelgi toodet kasutada enne, kui ta on lugenud kasutusjuhendit ja selle sisu endale selgeks teinud.
- Ärge lubage lastel seadet käsitseda.
- Hoidke lapsed tööalast eemal. Vastutusvõimeline täiskasvanu peab kogu aeg kasutaja juures viibima.
- Ärge lubage kasutusjuhistega mitte tutvunud isikul toodet käsitseda.
- Kui toodet kasutab piiratud füüsiliste või vaimsete võimetega isik, peab ta olema kogu aeg järelevalve all. Vastutusvõimeline täiskasvanu peab kogu aeg kasutaja juures viibima.
- Ärge kasutage toodet, kui olete väsinud, haige või tarvitanud alkoholi, narkootikume või ravimeid. Sellel on negatiivne mõju teie nägemisele, tähelepanuvõimele, liikumisele ja otsustamisvõimele.
- Ärge kasutage toodet, kui see on kahjustatud.
- Ärge muutke toodet ega kasutage seda, kui keegi teine võib olla seda muutnud.
- Ära muuda mootori kiiruse regulaatori seadistust.

Tööala ohutus



HOIATUS: Enne seadme kasutamist lugege läbi järgnevad hoiatused.

- Enne toote kasutamist eemaldage tööalalt oksad ja kivid.
- Lõikeosaga kokku puutuvad esemed võivad õhku paiskuda ning inimesi vigastada ja esemeid kahjustada. Juuresolijad ja loomad peavad viibima tootest ohutus kauguses.
- Ärge kasutage toodet halva ilmaga, näiteks udu, vihma, tuugeva tuule, tugeva pakase ja pikseohtu korral. Tootet kasutamine halva ilma ning niiskete ja märgade tingimuste korral on väsitav. Halb ilm võib põhjustada ohtlikke tingimusi (nt libedaid pindu).
- Suhtuge tähelepanelikult inimestesse, esemetesse ja olukordadesse, mis võivad takistada toote ohutut kasutamist.
- Olge ettevaatlik takistuste (nt juurte, kivide, oksade, aukude ja kraavide) suhtes. Kõrge rohi võib peita takistusi.
- Muru niitmine kallakutel võib olla ohtlik. Ärge kasutage toodet alal, mille kalle ületab 15°.
- Kasutage toodet kallakul risti liikudes. Ärge liikuge üles ja alla.

- Olge ettevaatlik varjatud nurkade ja vaatevälja varjavate esemete läheduses.

Tööohutus



HOIATUS: Enne seadme kasutamist lugege läbi järgnevad hoiatused.

- Kasutage seda toodet ainult muru niitmiseks. Muude toimingute tegemiseks toodet kasutada ei tohi.
- Kasutage isikukaitsevahendeid. Vt jaotist *Isikukaitsevahendid lk 109*.
- Veenduge, et teate, kuidas hädaolukorras mootorit kiiresti seisata.
- Ärge käivitage mootorit suletud ruumis ega tuleohtlike materjalide lähedal. Mootori heitgaasid on kuumad ja võivad sisaldada sädemeid, mis võivad tekitada tulekahju.
- Ärge kasutage toodet enne, kui lõiketera ja katted on õigesti kinnitatud. Valesti kinnitatud lõiketera võib lahti tulla ja inimesi vigastada.
- Veenduge, et lõiketera ei puutuks kokku esemetega (nt kivide ja juurtega). See võib lõiketera kahjustada ja põhjustada mootori võlli väändumist. Paindega telg põhjustab tugevat vibratsiooni ja suurt lõiketera lahtitulemise ohtu.
- Kui lõiketera puutub kokku mõne esemega või esineb vibratsioon, peatage toode viivitamatult. Lahutage süüteküünlaga süütejuhe. Kontrollige toodet kahjustuste suhtes. Parandage kahjustustest või laske toodet remontida volitatud hooldustöökojas.
- Kui mootor töötab, ärge kinnitage mootori pidurikäepidet käepidemele jäädavalt.
- Asetage toode stabiilsele ja tasasele pinnale ning käivitage see. Veenduge, et lõiketera ei puutuks vastu maad ega muid esemeid.
- Olge toote kasutamisel alati toote taga.
- Tootet kasutamisel hoidke mõlema käega käepidemest ja kõik toote rattad maas. Hoidke käed ja jalad liikuvatest teradest eemal.
- Kui mootor on käivitatud, ärge kallutage toodet.
- Olge toote tagasisuunas tõmbamisel ettevaatlik.
- Kui mootor on käivitatud, ärge tõstke toodet. Kui teil on vaja toodet tõsta, seisake esmalt mootor ja lahutage süütejuhe süüteküünlast.
- Ärge kõndige toote kasutamise ajal tagurpidi.
- Seisake mootor, kui liigute alal, kus pole muru, näiteks kruusast, kivist ja asfaldist teedel.
- Ärge lükake toodet joostes, kui mootor on käivitatud. Tootet kasutamise ajal kõndige.
- Enne lõikamiskõrguse muutmist seisake mootor. Ärge tehke seadistusi, kui mootor töötab.
- Ärge laske toodet silmist, kui mootor töötab. Seisake mootor ja veenduge, et lõikeosa ei pöörleks.

Ohutusjuhised kasutamisel

Isikukaitsevahendid



HOIATUS: Enne seadme kasutamist lugege läbi järgnevad hoiatused.

- Isikukaitsevarustus ei välista täielikult kehavigastuste ohtu, kuid vähendab õnnetusjuhtumi korral kehavigastuse raskusastet. Õige varustuse valimiseks pöörduge edasimüüja poole.
- Kui müratase ületab 85 dB, kandke kuulmiskaitseid.
- Kandke vastupidavaid saapaid või jalatseid, mis on libisemiskindlad. Ärge kandke avatud jalatseid ega olge paljajalu.
- Kandke tugevaid pikki pükse.
- Vajaduse korral kandke kaitsekindaid, näiteks löikeosa kinnitades, kontrollides või puhastades.

Toote ohutusseadised



HOIATUS: Enne toote kasutamist lugege läbi järgmised hoiatused.

- Ärge kasutage toodet, mille ohutusseadmed on kahjustatud või ei tööta korralikult.
- Kontrollige ohutusseadiseid regulaarselt. Kui ohutusseadmed on kahjustatud või ei tööta korralikult, pöörduge Husqvarnahooldustöökoja poole.
- Ärge muutke ohutusseadmeid.

Löikeosa katte kontrollimine

Löikeosa kate vähendab toote vibratsiooni ja löiketerast tingitud vigastuste ohtu.

- Kontrollige löikeosa kahjustuste (nt pragude) suhtes.

Mootori pidurikäepideme kontrollimine (LC 551SP, LC 551VQ)

Mootori pidurikäepideme abil saab mootori seisata. Mootori pidurikäepideme vabastamisel mootor seiskub.

- Käivitage mootor ja vabastage seejärel mootori pidurikäepide. Kui mootor kolme sekundi jooksul ei seisku, laste mootorpidurit reguleerida Husqvarna volitatud hooldustöökojas. (Joon. 28)

Löiketera piduriregulaatori ja käivitustõkesti kontrollimine (LC 551VBP)

Löiketera piduriregulaator seiskab ainult löiketera, mitte mootorit. Löiketera piduriregulaatori vabastamisel löiketera seiskub.

1. Käivitage mootor.
2. Lükake löiketera piduriregulaatorit juhtraua suunas. Käivitustõkesti peatab liikumise.

3. Lükake käivitustõkesti välja.
4. Lükake löiketera piduriregulaatorit juhtraua suunas. Löiketera hakkab pöörlema.
5. Vabastage löiketera piduriregulaator. Kui mootor kolme sekundi jooksul ei seisku, laste löiketera pidurit Husqvarna volitatud hooldustöökojas reguleerida. (Joon. 29)
6. Veenduge, et käivitustõkesti liigub lähteasendisse.

Summuti

Summuti ülesandeks on hoida müratase võimalikult madalal ja suunata mootori heitgaasid kasutajast eemale.

Ärge kasutage seadet, kui summuti puudub või on kahjustatud. Kahjustatud summuti tõstab mürataset ja suurendab tulekahju ohtu.



HOIATUS: Seadme töötamise ajal ja vahetult pärast töötamist ning mootori tühikäigul töötamise ajal on summuti väga kuum. Tulekahju vältimiseks olge tuleohtlike materjalide ja/või aurude läheduses väga ettevaatlik.

Summuti kontrollimine

- Kontrollige summutit regulaarselt ning veenduge, et see oleks õigesti kinnitatud ja kahjustamata.

Ohutusnõuded kütuse käsitlemisel



HOIATUS: Enne seadme kasutamist lugege läbi järgnevad hoiatused.

- Ärge käivitage toodet, kui toote pinnale on sattunud kütust või mootoriõli. Eemaldage kütus/õli toote pinnalt ja laske tootel kuivada.
- Kui kütus satub rõivastele, siis vahetage kohe riideid.
- Vältige kütuse sattumist nahale, see võib põhjustada kehavigastusi. Kui kütus satub kehale, puhastage piirkond seebi ja veega.
- Ärge käivitage toodet, kui mootor lekib. Kontrollige regulaarselt mootori lekkekindlust.
- Olge kütuse käsitlemisel ettevaatlik. Kütus on tuleohtlik ja kütuse aurud on plahvatusohtlikud ning võivad põhjustada kehavigastusi või surma.
- Ärge hingake sisse kütuseaure, see võib põhjustada kehavigastuse. Tagage piisav õhuvahetus.
- Ärge suitsetage kütuse ega mootori läheduses.
- Ärge asetage kuumi esemeid kütuse ega mootori lähedusse.
- Ärge tankige kütust, kui mootor töötab.
- Enne tankimise alustamist veenduge, et mootor oleks külm.
- Enne tankimise alustamist avage aeglaselt kütusepaagi kork ja laske surve alaneda.

- Ärge tankige mootorit siseruumis. Ebapiisav õhuvahetus võib põhjustada lämbumist või vingugaasimürgitusest tingitud kehavigastuse või surma.
- Pingutage kütusepaagi korki korralikult. Pingutamata kütusepaagi kork põhjustab tuleohtu.
- Enne käivitamist viige toode vähemalt 3 m kaugusele kohast, kus toimus kütusepaagi täitmine.
- Ärge täitke kütusepaaki täielikult. Soojuse mõjul kütus paisub. Jätke kütusepaagi ülaserava vaba ruumi.

- Enne toote hooldamist seisake mootor ja eemaldage süüteküünla süütejuhe.
- Lõikeosa hooldamisel kandke kaitsekindaid. Lõiketera on väga terav ja võib kergesti põhjustada lõikevigastusi.
- Tootja heakskiiduta tarvikud ja muudatused toote juurest võivad põhjustada tõsiselt kehavigastusi või surma. Ärge muutke toodet. Kasutage tootja heakskiidetud tarvikuid.
- Kui toodet regulaarselt ja õigesti ei hooldata, suureneb oht, et toode saab kahjustada ja võib kedagi vigastada.
- Hooldage toodet ainult selle kasutusjuhendi järgi. Muid hooldustöid tuleb lasta teha Husqvarna heakskiiduga hooldustöökojas.
- Laske toodet regulaarselt hooldada Husqvarna heakskiiduga hooldustöökojas.
- Asendage kahjustatud, kulunud ja katkised osad.

Ohutusjuhised hooldamisel



HOIATUS: Enne seadme kasutamist lugege läbi järgnevad hoiatused.

- Mootori heitgaasid sisaldavad vingugaasi: lõhnutat, mürgist ja väga ohtlikku gaasi. Ärge käivitage mootorit siseruumis ega suletud alal.

Kokkupanek

Sissejuhatus



HOIATUS: Enne seadme kokkupanemist lugege põhjalikult läbi ohutust puudutav jaotis.



HOIATUS: Enne seadme kokkupanemist eemaldage süüteküünala juhe süüteküünla küljest.

Käepideme kokkupanek

1. Keerake lahti toote vasakul ja paremal küljel asuvad alumised nupud. Veenduge, et plastseib asuks käepideme kronsteini süvendis. (Joon. 30)
2. Paigaldage käepide, nii et see on vastavalt joonisele ettepoole keeratud. (Joon. 31)
 - a) Veenduge, et plastseib asuks käepideme ja käepidemekronsteini vahel.
 - b) Kinnitage käepide käepidemekronsteini külge.
3. Tõstke käepide üles. (Joon. 32)
4. Keerake nupud korralikult kinni. Käepideme kõrguse reguleerimise teavet leiate jaotisest *Käepideme kõrguse reguleerimine lk 110*.
5. Asetage juhtmed juhtmeklambritesse. Veenduge, et juhtmed poleks keerdus. Kinnitage juhtmeklambrid käepideme külge. (Joon. 33)
6. Kasutage juhtmehoidikut ja kinnitage juhtmed käepidemeklambri külge. (Joon. 34)

Käepideme kõrguse reguleerimine

1. Keerake alumised hoovad lahti.

2. Liigutage nupud toote vasakul ja paremal küljel olevatesse soonetes. (Joon. 35)
3. Reguleerige käepideme kõrgus ühte kahest võimalikust asendist.
4. Liigutage nuppe üles käepideme suunas, kuni need peatuvad ja kostab klõpsatus. (Joon. 36)
5. Keerake nupud korralikult kinni.

Muruniiduki seadmine transportasendis

1. Eemaldage rohukogur.
2. Keerake alumised hoovad lahti.
3. Liigutage nupud toote vasakul ja paremal küljel olevatesse soonetes. (Joon. 35)
4. Keerake käepide ettepoole. (Joon. 37)

Toote seadmine tööasendis

1. Tõstke käepide üles. (Joon. 32)
2. Liigutage nuppe üles käepideme suunas, kuni need peatuvad ja kostab klõpsatus. (Joon. 36)
3. Keerake nupud korralikult kinni.

Rohukoguri kokkupanek

1. Kinnitage rohukoguri raam rohukoti külge nii, et kotti jäik osa jääb põhja. Hoidke raami käepidet rohukoti peal. (Joon. 38)
2. Kinnitage rohukoguri raami allosa rohukoti allosa külge. (Joon. 39)
 - a) Lükake rohukoguri raam soonde. Alustage paremalt küljelt, nagu on näha joonisel, ja liikuge vasakule.

3. Kui rohukoguri raami pole lihtne kinnitada, lööge rohukoguri raami ettevaatlikult kummihaamriga. Lööge rohukoguri raami tugevduste vahelt. (Joon. 40)
4. Kinnitage rohkott klambritega rohukoguri raami külge. (Joon. 41)
5. Kergitage tagakaant.
6. Kinnitage rohukoguri raami ülaseriale.
7. Asetage rohukoguri alaosa muru väljaviskekanalisisse. (Joon. 42)

Multšikorgi (lisatarvik) kokkupanek

1. Kergitage tagakaant ja eemaldage rohukogur.

2. Asetage multšikork väljaviskekanalisisse. (Joon. 43)
3. Asendage lõiketera multšimiskomplektis oleva multšimisteraga. Vt jaotist *Lõiketera vahetamine lk 113*.

Muru niitmine ilma paigaldatud rohukoguri või multšikorgita.

- Kergitage tagakaant ja eemaldage rohukogur.
- Kui seadmele on paigaldatud multšikork ja multšimistera, eemaldage need.
- Enne seadme kasutamist sulgege tagumine kate.

Seadme töötamise ajal väljub lõigatud rohi tagumise katte alt.

Töö

Sissejuhatus



HOIATUS: Enne seadme kasutamist lugege põhjalikult läbi ohutust puudutav jaotis.

Husqvarna Connect

Husqvarna Connect on mobiilsideseadmetele mõeldud tasuta rakendus. Rakendus Husqvarna Connect annab teie Husqvarna tootele lisafunktsionaalsuse:

- Täiendav tooteteave.
- Toote osade ja hoolduse alane teave ja abi.

Toote Husqvarna Connect kasutamise alustamine

1. Laadige Husqvarna Connect rakendus oma mobiilsideseadmesse.
2. Registreeruge Husqvarna Connect rakenduses.
3. Toote ühendamiseks ja registreerimiseks järgige Husqvarna Connect rakenduse juhiseid.

Enne toote kasutamist

1. Lugege kasutusjuhend põhjalikult läbi, et kõik juhised oleksid täiesti arusaadavad.
2. Veenduge, et lõikeosa oleks õigesti kinnitatud ja reguleeritud. Vt jaotist *Lõikeosa kontrollimine lk 113*.
3. Täitke kütusepaak. Vt jaotist *Kütuse tankimine lk 111*.
4. Täitke õlipaak ja kontrollide õlitaset. Vt jaotist *Õlitase kontrollimine lk 114*.

Kütuse tankimine

Võimaluse korral kasutage keskkonnasäästlikku bensiini/alkülaatbensiini. Kui keskkonnasäästlik või alkülaatbensiini pole saadaval, kasutage kvaliteetset pliivaba bensiini või pliibensiini, mille oktaaniarv on vähemalt 90.



ETTEVAATUST: Ärge kasutage bensiini, mille oktaaniarv on alla 90 RON (87 AKI). See võib seadet kahjustada.

1. Surve vabastamiseks avage kütusepaagi kork aeglaselt.
2. Lisage kütust aeglaselt kütusenõust. Mahavalgumise korral eemaldage osa kütust lapiga ja laske ülejäänul ära kuivada. (Joon. 44)
3. Puhastage kütusepaagi korgi ümbrus.
4. Pingutage kütusepaagi korki korralikult. Pingutamata kütusepaagi kork põhjustab tuleohtu.
5. Enne käivitamist viige toode vähemalt 3 m kaugusele kohast, kus toimus kütusepaagi täitmine.

Lõikamiskõrguse reguleerimine

Lõikamiskõrgust saab seadistada kuuetele erinevale kõrgusele.

1. Lõikekõrguse suurendamiseks lükake lõikekõrguse regulaatorit ratta suunas ja seejärel tagasisuunas.
2. Lõikekõrguse vähendamiseks lükake lõikekõrguse regulaatorit ratta suunas ja seejärel edasisuunas. (Joon. 45)



ETTEVAATUST: Ärge seadistage lõikamiskõrgust liiga madalaks. Kui muru pole tasane, võivad lõiketerad puutuda vastu maad.

Toote käivitamine (LC 551VQ)

1. Veenduge, et süütejuhe ja süüteküünel oleksid omavahel ühendatud.
2. Olge toote taga.
3. Hoidke mootori pidurikäepidet juhtraua vastas. (Joon. 46)
4. Hoidke starteri nööri käepidet paremas käes.

5. Tõmmake starteri nõõri väljasuunas, kuni tunnete vastujõudu.
6. Tõmmake hooga, nii et mootor käivitub.

Seadme käivitamine (LC 551SP, LC 551VBP)

1. Veenduge, et süütejuge ja süüteküünal oleksid omavahel ühendatud.
2. Olge toote taga.
3. Reguleerige gaasihoovastikku.
 - a) Kui mootor on külm, seadke gaasihoovastik õhuklapi asendisse. (Joon. 47)
 - b) Kui mootor on soe, ärge seadke gaasihoovastikku õhuklapi asendisse.
4. Mudeli LC 551SP korral hoidke mootori pidurikäepidid juhtraua vastas. (Joon. 46)
5. Hoidke starteri nõõri käepidid paremas käes.
6. Tõmmake starteri nõõri väljasuunas, kuni tunnete vastujõudu.
7. Tõmmake hooga, nii et mootor käivitub.
8. Seadke gaasilüliti täisgaasile.
9. Mudeli LC 551VBP korral tehke järgmist.
 - a) Vabastage käivitustõkesti.
 - b) Lõiketerade käivitamiseks lükake lõiketera piduriregulaatorit juhtraua suunas.

Veo kasutamine ratastel

- Tõmmake veo käepidid juhtraua suunas. (Joon. 48)
- Mudelite LC 551VQ ja LC 551VBP korral tehke järgmist. Reguleerige liikumiskiirust käepideme vasakul küljel asuva kiiruseregulaatori abil. Kiiruse suurendamiseks liigutage kiiruseregulaatorit ettepoole ja vähendamiseks tahapoole. (Joon. 49)

- Enne seadme tagasisuunas tõmbamist vabastage vedu ja lükake seadet umbes 10 cm edasisuunas.
- Veo vabastamiseks vabastage veo käepidede näiteks siis, kui lähenete takistusele.

Seadme seiskamine (LC 551SP, LC 551VQ)

- Veo peatamiseks vabastage veojõu käepidede.
- Mootori seiskamiseks vabastage mootoripiduri käepide.

(LC 551VBP) toote seiskamine

- Veo peatamiseks vabastage veojõu käepidede.
- Mootori seiskamiseks liigutage gaasihoovastik asendisse STOP.

Hea tulemuse saavutamiseks

- Kasutage vahedat lõiketera. Nüri tera annab ebaühtlase tulemuse ja muru lõigatud osa muutub kollaseks. Terav lõiketera on nüri teraga võrreldes energiasäästlikum.
- Lõigake kuni pool muru pikkusest. Niitke kõigepealt kõrgele reguleeritud lõikamiskõrgusega. Vaadake tulemust ja seadistage lõikamiskõrgus soovitud madalamale tasemele. Kui muru on väga pikk, sõitke aeglaselt ja vajadusel niitke kaks korda.
- Niitke iga kord erinevas suunas, et ära hoida triipude tekkimist murule.
- Hoidke lõikamiskatte puhtana. Lõikamiskatte siseküljele kogunevad rohujäägid ja mustus võivad lõikamise tõhusust vähendada. Vt jaotist *Lõikekorpusse sisepinnapuhasdamine lk 113.*

Hooldamine

Sissejuhatus



HOIATUS: Enne seadme hooldamist lugege põhjalikult läbi ohutuspuudutav peatükk.

Seadme hooldamiseks ja remontimiseks on vaja erioskusi. Tagame asjatundliku remondi- ja hooldustöö. Kui edasimüüjal, kellelt toote ostsite, pole hooldustöökoda, küsige neilt teavet lähima hooldustöökoha kohta.

Lisateavet vt www.husqvarna.com.

Hooldusgraafik



ETTEVAATUST: Toote kallutamisel veendu, et õhufilter oleks üleval, mitte vastu maad. Mootori kahjustamise oht.

Hooldusintervallide arvutamisel on aluseks võetud seadme igapäevane kasutamine. Intervallid muutuvad, kui seadet igapäevaselt ei kasutata.

Tärniga (*) tähistatud hooldustööde kohta leiate juhised peatükist *Toote ohutusseadised lk 109.*

Hooldus	Iga päev	Iga nädal	Iga kuu
Tee üldkontroll	X		
Kontrolli õlitaset	X		

Hoidus	Iga päev	Iga nädal	Iga kuu
Toote puhastamine	X		
Lõikevarustuse kontrollimine	X		
Lõikekorpuse kontrollimine *	X		
Mootori pidurikäepideme kontrollimine * LC 551SP, LC 551VQ	X		
Mootori piduriregulaatori kontrollimine * LC 551VBP	X		
Summuti kontrollimine *		X	
Süüteküünla kontrollimine		X	
Õlivahetus (esmlt pärast 5 töötundi, seejärel iga kord 50 töötundi järel ja kord aastas)			X
Õhufiltri puhastamine või väljavahetamine			X
Kütusesüsteemi kontrollimine			X

Üldlevaatuse läbiviimine

- Veenduge, et kõik toote mutrid ja kruvid oleksid korralikult kinni pingutatud.

Seadme puhastamine

- Puhastage plastosi puhta ja kuiva lapiga.
- Ärge puhastage seadet veega. Vesi võib pääseda aku või mootori sisse ja põhjustada lühise või kahjustada toodet.
- Ärge kasutage seadme puhastamiseks survepesurit.
- Ärge valage vett otse mootorile.
- Eemaldage lehed, muru ja pori harja abil.
- Eemaldage sidurikate, kasutage sidurikatte alt muru eemaldamiseks harja. (LC 551VBP)

Lõikekorpuse sisepinnapuhastamine

1. Tühjendage kütusepaak.
2. Asetage toode küllili nii, et summuti jääb allapoole.



ETTEVAATUST: Kui toode on asetatud selliselt, et õhufilter jääb allapoole, võib mootor kahjustada saada.

3. Loputage lõikekorpuse sisepinda veega.

Lõikeosa kontrollimine



HOIATUS: Tahtmatu käivitamise ärahoidmiseks eemaldage süüteküünlalt süütejühe.



HOIATUS: Lõikeosa hooldamisel kandke kaitsekindaid. Lõikeosa on väga terav ja võib kergesti põhjustada lõikevigastusi.

1. Kontrollige lõikeosa kahjustuste ja mõrade suhtes. Kahjustatud lõikeosa tuleb alati välja vahetada.
2. Kontrollige, kas lõikeosa on kahjustatud või nüri.

Märkus: Teritamise järel tuleb lõikeosa tasakaalustada. Lõikeosa teritamine, asendamine ja tasakaalustamine usaldage hooldustehnikule. Kui toode pörkub vastu eset, mis põhjustab toote seiskumise, vahetage välja kahjustatud lõikeosa. Laste hoolduskeskuses hinnata, kas tera saab teritada või tuleb see välja vahetada.

Lõikeosa vahetamine

1. Lukustage lõikeosa mõne puuklotsiga. (Joon. 50)
2. Eemaldage lõikeosa polt.
3. Eemaldage lõikeosa.
4. Kontrollige, et lõikeosa toel ja lõikeosa poldil poleks kahjustusi.
5. Kontrollige mootori võlli ja veenduge, et see poleks väändunud.
6. Uue lõikeosa kinnitamisel suunake nurgad lõikekorpuse poole. (Joon. 51)
7. Veenduge, et lõikeosa ja mootori võlli kese oleksid kohakuti.
8. Lukustage lõikeosa mõne puuklotsiga. (Joon. 52)
9. Kinnitage lõikeosa.
 - a) Mudeli LC 551SP, LC 551VQ korral kinnitage vedruseib ning pingutage polti ja seibi momendiga 70 Nm.
 - b) Mudeli LC 551VBP korral pingutage polte pingutusmomendiga 50 Nm. (Joon. 53)
10. Keerake tera käega, veendumaks, et see pöörleb vabalt.



HOIATUS: Kasutage tugevaid kindaid. Lõiketera on väga terav ja võib kergesti põhjustada lõikevigastusi.

11. Tera katsetamiseks käivitage toode. Kui tera on valesti kinnitatud, siis toode vibreerib ja niitmistulemus pole rahuldav.

Õlitase kontrollimine



ETTEVAATUST: Liiga madal õlitase võib mootorit kahjustada. Enne toote käivitamist kontrollige õlitaset.

1. Asetage toode tasasele pinnale.
2. Eemaldage õlipaagi kork koos selle küljes oleva mõõtevardaga.
3. Puhastage mõõtevarras õlist.
4. Asetage mõõtevarras täies pikkuses õlipaaki. Keerake õlipaagi kork tugevasti kinni, et saada õlitasemest õige ülevaade.
5. Eemaldage mõõtevarras.
6. Vaadake mõõtevardalt õlitaset.
7. Kui õlitase on madal, lisage mootoriõli ja kontrollige õlitaset uuesti.

(Joon. 54)

Märkus: Kasutage mahaminemise vältimiseks lehtrit.

Mootoriõli vahetamine



HOIATUS: Vahetult pärast mootori seiskumist on mootoriõli väga kuum. Enne mootoriõli väljutamist laske mootoril maha jahtuda. Kui mootoriõli satub nahale, puhastage piirkond vee ja seebiga.

(Joon. 55)

1. Eemaldage süütekünnalt süütejuhe.
2. Eemaldage õlipaagi kork.
3. Tühjendage mootoriõli.
 - a) Õli tühjenduskorgiga mudelite puhul: Asetage õli tühjenduskorgi alla mõni mahuti, kuhu mootoriõli saaks valguda.
 - b) Mudelite puhul, millel pole õli tühjenduskorki või kui anumad pole võimalik õli tühjenduskorgi alla panna: Kasutage mootoriõli õlipaagist väljalaskmiseks õlipumpa (lisatarvik).
4. Lisage uus mootoriõli, mille tüüpi on soovitatud jaotises *Tehnilised andmed lk 115*.
5. Kontrollige õlitaset. Vt jaotist *Õlitase kontrollimine lk 114*.

Mootoriõli lisamine ja vahetamine

- Teavet mootoriõli lisamise ja vahetamise kohta lugege mootori kasutusjuhendist.

Õhufiltri puhastamine ja vahetamine (LC 5551SP, LC 551VBP)

- Teavet õhufiltri puhastamise ja vahetamise kohta lugege mootori kasutusjuhendist.

Toote (LC 551VQ) õhufiltri eemaldamine ja paigaldamine



HOIATUS: Kasutage kaitsekindaid.

1. Avage klambrid õhufiltri kattel.
2. Eemaldage mootorilt ettevaatlikult õhufiltri kate (A).
3. Eemaldage õhufilter (B) ja vahfilter (C). (Joon. 56)
4. Veenduge, et õhufiltril poleks kahjustusi. Vahetage kahjustatud õhufilter välja.
5. Puhastage ja kontrollige õhufiltrit. Vt jaotist *Õhufiltri puhastamine (LC 551VQ) lk 114*.
6. Paigaldage vastupidises järjestuses.

Õhufiltri puhastamine (LC 551VQ)



ETTEVAATUST: Ärge käivitage mootorit, kui õhufilter puudub või on määrdundud.



ETTEVAATUST: Kui õhufilter ei lähe täielikult puhtaks või on kahjustatud, vahetage see välja. Defektne õhufilter kahjustab mootorit.

1. Vajutage lukustussakke (A), eemaldage õhufiltri kate (B) ja eemaldage õhufilter (C). (Joon. 57)
2. Koputage õhufiltrit vastu kõva pinda või puhuge suruõhku puhta õhu poolt läbi õhufiltri.



ETTEVAATUST: Ärge kasutage mustuse eemaldamiseks harja, kuna see lükkab mustuse õhufiltri sisse.

3. Puhastage õhufiltri hoidik (D) ja õhufiltri kate niiske riidelapiga.



ETTEVAATUST: Veenduge, et õhukanalisse (E) ei satuks mustust.

4. Paigaldage õhufilter. Veenduge, et õhufilter liubuks tihedalt vastu õhufiltri hoidikut.
5. Paigaldage õhufiltri kate, asetades esmalt oma kohale alumised sakid.

Süüteküünla kontrollimine



ETTEVAATUST: Kasutage alati soovitatud tüüpi süüteküünalt. Vale tüüpi süüteküünal võib toodet kahjustada.

- Kontrollige süüteküünalt, kui mootori võimsus on madal, mootor ei käivitu kergesti või ei tööta tühikäigul korralikult.
- Süüteküünla elektroodidele võrainerite kogunemise ohu vähendamiseks täitke järgmisi juhiseid.
 - a) Veenduge, et tühikäigu pöörete arv on õigesti seadistatud.
 - b) Veenduge, et kütusesegu oleks õige.
 - c) Veenduge, et õhufilter oleks puhas.
- Kui süüteküünal on määrunud, puhastage see ja kontrollige, kas elektroodide vahe on õige, vt jaotist *Tehnilised andmed lk 115.* (Joon. 58)
- Vajaduse korral vahetage süüteküünal välja.

Kütusesüsteemi kontrollimine

- Kontrollige kütusepaagi korki ja selle tihendit kahjustuste suhtes.

Transportimine, hoiulepanek ja utiliseerimine

Transportimine ja hoiustamine

- Toote ja kütuse transportimisel ning hoiustamisel veenduge, et puuduvad lekked ja aurud. Elektriseadmetest või boileritest pärit sädemed ja lahtine leek võivad põhjustada tulekahju.
- Kütuse transportimiseks ja hoiustamiseks kasutage heakskiidetud mahuteid.
- Toote pikaks ajaks hoiule panemisel tühjendage eelnevalt kütusepaak. Kõrvaldage kütus spetsiaalses jäätmejaamas.
- Transportimisel kinnitage toode ohutult, et ära hoida kahjustusi ja õnnetusi.

- Kontrollige kütusevoolikut lekete suhtes. Kahjustatud kütusevoolikut laske hooldustöökojas välja vahetada.

Kiiruseregulaatori ja gaasihoovastiku reguleerimine

Kiiruseregulaator reguleerib liikumiskiirust. Gaasihoovastiku juhtnupp reguleerib mootori kiirust.



ETTEVAATUST: Ärge reguleerige kiiruseregulaatorit, kui mootor töötab.

1. Liikumiskiiruse reguleerimiseks keerake reguleerimiskruvi (A), et reguleerida juhtmehülsi pikkust. Liikumiskiiruse suurendamiseks muutke juhtmehülss lühemaks.
2. Kui õhuklapi asendit või seiskamisasendit ei saa rakendada, reguleerige mootori kiirust. Keerake reguleerimiskruvi (B). (Joon. 59)

- Hoidke toodet lukustatud kohas, kus sellele ei pääse juurde lapsed ega volitamata isikud.
- Hoidke toodet kuivas kohas, mis ei külmu.

Kõrvaldamine

- Järgige kohalikke jäätmekäitluseeskirju ja kehtivaid seadusi.
- Kemikaalid (nt mootoriõli ja kütus) kõrvaldage hoolduskeskuses või spetsiaalses jäätmejaamas.
- Kui toodet enam ei kasutata, toimetage see Husqvarna edasimüüjale või kõrvaldage see taaskasutuskeskuses.

Tehnilised andmed

	LC 551SP	LC 551VBP	LC 551VQ
Mootor			
Kaubamärk	Kawasaki	Kawasaki	Husqvarna
Mudel	FJ180V	FJ180V	HS 166AP
Mootori tüüp	Ühesilindriline, nelja-taktiline, sundõhkjahutus, OHV	Ühesilindriline, nelja-taktiline, sundõhkjahutus, OHV	Ühesilindriline, nelja-taktiline, sundõhkjahutus, OHV
Silindrimaht, cm ³	179	179	166
Kiirus, p/min	2800	2800	2800

	LC 551SP	LC 551VBP	LC 551VQ
Mootori nimivõimsus, kW ³⁶	2,9	2,9	2,7
Süütesüsteem			
Süüteküünl	NGK BPR5ES	NGK BPR5ES	Husqvarna HQT-7
Elektroodi vahe, mm	0,6–0,8	0,6–0,8	0,7–0,8
Kütuse- ja määrimissüsteem			
Mootori määrimistüüp	Surve õlifiltriga	Surve õlifiltriga	Pritse
Kütusepaagi maht, l	1,9	1,9	1,5
Õlipaagi maht, liitrit	0,7	0,7	0,5
Mootoriõli ³⁷	Husqvarna SAE 30	Husqvarna SAE 30	Husqvarna SAE 30
Kaal			
Tühjade paakidega, kg	48,5	52,5	51,0
Müratasemed ³⁸			
Helivõimsuse tase, mõõdetud dB(A)	97	96	97
Helivõimsuse tase, garanteeritud L _{WA} dB(A)	98	98	98
Helitasemed ³⁹			
Helirõhutase kasutaja kõrva juures, dB(A)	87	84	86
Vibratsioonitase ⁴⁰			
Käepide, m/s ²	4,5	4,5	3,2
Lõikeosa			
Lõikekõrgus, mm	26–74	26–74	26–74
Lõikelaius, mm	510	510	510
Lõiketera	Kogur	Kogur	Kogur
Tootenumber	5875908-10	5821494-10	5875908-10
Rohukoguri maht, l	65	65	65
Ajam			
Kiirus, km/h	4,1	2,8–5	2,8-5

³⁶ Mootori näidatud võimsusklass on vastava mootorimudeli järgi toodetud tüüp mootori keskmine netovõimsus (kindla pöörete arvu juures), mõõdetud vastavalt SAE standardile J1349/ISO1585. Masstoodangust tulnud mootoritel võib see väärtus pisut erineda. Tootele paigaldatud mootori tegelik võimsus oleneb töökiirusest, keskkonnatingimustest ja muudest teguritest.

³⁷ Kui kasutatakse SAE-30 õli madalamal temperatuuril kui +5 °C, siis on oht, et see ei määri mootorit piisavalt. See võib kahjustada mootorit. Vt jaotisest *Mootoriõli vahetamine lk 114*, milline on õige õli madalal temperatuuril.

³⁸ Müraemissioon ümbritsevasse keskkonda, mõõdetud helivõimsuse tasemena (L_{WA}) vastavalt EÜ direktiivile 2000/14/EÜ

³⁹ Müra rõhutase standardi EN ISO 5395 järgi. Müra rõhutase kohta toodud andmete statistiline dispersioon (standardhälve) on 1,2 dB(A).

⁴⁰ Vibratsioonitase standardi ISO 5395 järgi. Vibratsioonitase kohta toodud andmete tüüpiline statistiline dispersioon (standardhälve) on 0,2 m/s².

Vastavusdeklaratsioon

EÜ vastavusdeklaratsioon

Husqvarna AB, SE-561 82 Huskvarna, Rootsi, tel: +46
3614 6500, kinnitab ainuvastutusel, et toode:

Kirjeldus	Muruniiduk
Kaubamärk	Husqvarna
Tüüp/mudel	LC 551SP, LC 551VBP, LC 551VQ
Identifitseerimine	Seerianumbrid alates 2022. aastast

vastab täielikult järgmistele EÜ direktiividele ja määrustele:

Määrus	Kirjeldus
2006/42/EÜ	„masinadirektiiv“
2014/30/EL	„elektromagnetilise ühilduvuse direktiiv“
2000/14/EÜ	„seadmete müra kohta käiv direktiiv“
2011/65/EL	„elektri- ja elektroonikaseadmetes teatavate ohtlike ainete kasutamise piiramise direktiiv“

ja et kohalduvad järgmised standardid ja/või tehnilised spetsifikatsioonid: EN ISO 5395-1:2013/A1:2018, EN ISO 5395-2:2013/A1:2016/A2:2017, EN ISO 14982:2009, EN IEC 63000:2018

Teavitatud asutus: 0404, RISE SMP Svensk Maskinprovning AB, Box 4053, SE-904 03 Umeå, Sweden kinnitab vastavust nõukogu direktiivile 2000/14/EÜ, vastavushindamise menetlus: lisa VI.

Lisateavet mürataseme kohta vt *Tehnilised andmed lk 115*.

Huskvarna, 2022-09-29



Claes Losdal, aiandustoodete arendusdirektor,
Husqvarna AB

Tehnilise dokumentatsiooni eest vastutaja



Sisällys

Johdanto.....	118	Huolto.....	124
Turvallisuus.....	119	Kuljettaminen, säilyttäminen ja hävittäminen.....	127
Asentaminen.....	122	Tekniset tiedot.....	128
Käyttö.....	123	Vaatumusten mukaisuusvakuutus.....	130

Johdanto

Tuotekuvaus

Tuote on kävellen ohjattava ja pyörivä ruohonleikkuri. Leikattu ruoho kerätään ruohonkerääjään. Voit ottaa ruohon taaksehoitotoiminnon käyttöön irrottamalla ruohonkerääjän. Voit tehdä ruohon leikkuujätteestä lannoitetta liittämällä ruohonleikkuriin silppurin (lisävaruste).

Tuotteen kuvaus

(Kuva 1)

1. Moottorin jarrukahva
2. Kahva/kahvasto
3. Nopeuden säätö
4. Vetojärjestelmän sankka
5. Käynnistysnarun kahva
6. Ruohonkerääjä
7. Kahvan korkeuden säätö
8. Leikkuukorkeuden säädin

Tuotteen kuvaus

(Kuva 2)

1. Kahva/kahvasto
2. Teräjarrun kytkin (LC 551VBP)
3. Nopeuden säädin / kaasuliipaisin (LC 551VBP)
4. Vetojärjestelmän sankka (LC 551VBP)
5. Käynnistyskenno (LC 551VBP)
6. Käynnistysnarun kahva
7. Ruohonkerääjä
8. Kahvan korkeuden säätö
9. Leikkuukorkeuden säädin
10. Mittatikku/öljysäiliö
11. Leikkuusuojus
12. Äänenvaimennin
13. Sytytystulppa
14. Ilmansuodatin
15. Polttoainesäiliö
16. Takasuojus
17. Moottorin jarrukahva (LC 551SP)
18. Kaasuliipaisin (LC 551SP)
19. Vetojärjestelmän sankka (LC 551SP)
20. Käyttöohje

Käyttötarkoitus

Käytä laitetta ruohon leikkuuseen. Älä käytä laitetta muihin tehtäviin.

9. Mittatikku/öljysäiliö
10. Leikkuusuojus
11. Äänenvaimennin
12. Sytytystulppa
13. Ilmansuodatin
14. Polttoainesäiliö
15. Takasuojus
16. Käyttöohje

Tuotteen symbolit

- (Kuva 3) Huolimaton tai virheellinen käyttö voi aiheuttaa käyttäjälle tai sivullisille vammoja tai kuoleman.
- (Kuva 4) Lue käyttöohje huolellisesti ja varmista, että ymmärrät sen sisällön, ennen kuin alat käyttää tuotetta.
- (Kuva 5) Pidä sivulliset ja eläimet turvallisena välimatkan päässä työalueesta.
- (Kuva 6) Pysäytä moottori ja poista sytytysjohto ennen korjaus- tai huoltotöitä.
- (Kuva 7) Öljy
- (Kuva 8) Nopea
- (Kuva 9) Hidas
- (Kuva 10) Moottorin sammuttaminen

- (Kuva 11) Rikastin
- (Kuva 12) Teräkytkin
- (Kuva 13) Varo sinkoutuvia esineitä ja kimmokkeita.
- (Kuva 14) Pidä kädet ja jalat poissa pyörivän terän läheisyydestä.
- (Kuva 15) Pidä kädet ja jalat poissa pyörivien osien läheisyydestä.
- (Kuva 16) Tämä tuote täyttää sovellettavien EU-direktiivien vaatimukset.
- (Kuva 17) Tämä tuote täyttää sovellettavien UK-säädösten vaatimukset.
- (Kuva 18) Melupäästöt ympäristöön -tarra EU:n ja Yhdistyneen kuningaskunnan direktiivien ja säädösten mukaisesti sekä Uuden Etelä-Walesin "Protection of the Environment Operations (Noise Control) Regulation 2017" -asetuksen mukaisesti. Tuotteen taattu äänentehotaso on määritetty kohdassa *Tekniset tiedot sivulla 128* ja arvokilvessä.
- (Kuva 19) Moottorin pakokaasut sisältävät hiilimonoksidia, joka on hajuton, myrkyllinen ja erittäin vaarallinen kaasu. Älä käytä tuotetta sisällä tai suljetussa tilassa.
- (Kuva 20) Älä käytä tuotetta sisällä tai suljetussa tilassa.

- (Kuva 21) Räjähdyksivaara.
- (Kuva 22) Kuuma pinta
- (Kuva 23) Moottori toimitetaan ilman öljyä.
- (Kuva 24) Täytä öljyllä, ennen kuin käytät tuotetta.
- (Kuva 25) Älä käytä E85-polttoaineita.
- (Kuva 26) Pidä tuote poissa lasten ulottuvilta.
- (Kuva 27) Skannattava koodi.

Huomautus: Muut tuotteessa olevat symbolit ja tarrat viittaavat markkinakohtaisiin lakisääteisiin vaatimuksiin.

Euro V -päästöt



VAROITUS: Moottorin muokkaaminen mitätöi tuotteen EU-tyyppihyväksynnän.

Tuotevastuu

Tuotevastuulain mukaisesti emme ole vastuussa tuotteen aiheuttamasta vaurioista, jos

- tuote on korjattu virheellisesti
- tuotteen korjaamiseen on käytetty muita kuin valmistajan omia tai sen hyväksymiä osia
- tuotteessa on muu kuin valmistajan oma tai sen hyväksymä lisävaruste
- tuotetta ei ole korjattu valtuutetussa huoltopisteessä tai hyväksytyllä asiantuntijalla.

Turvallisuus

Turvallisuusmääritelmät

Varoituksia, huomioita ja huomautuksia käytetään, kun jotakin käyttöohjeen osaa halutaan erityisesti korostaa.



VAROITUS: Tätä käytetään, jos käyttöohjeen noudattamatta jättämisestä voi seurata käyttäjän tai sivullisen vamma tai kuolema.



HUOMAUTUS: Tätä käytetään, jos käyttöohjeen noudattamatta jättämisestä voi seurata koneen, muiden materiaalien tai ympäristön vaurioituminen.

Huomautus: Tätä käytetään tietyissä tilanteissa tarvittavien lisätietojen antamiseen.

Yleiset turvaohjeet



VAROITUS: Lue seuraavat varoitusohjeet ennen laitteen käyttämistä.

- Tämä laite on vaarallinen, jos sitä käytetään huolimattomasti tai virheellisesti. Turvaohjeiden noudattamatta jättäminen voi aiheuttaa vammoja tai kuoleman.
- Laite muodostaa käytön aikana sähkömagneettisen kentän. Kenttä saattaa joissakin olosuhteissa häiritä aktiivisten tai passiivisten lääketieteellisten implanttien toimintaa. Vakavien tai hengenvaarallisten tapaturmien ehkäisemiseksi kehotamme lääketieteellisiä implanteja käyttäviä henkilöitä neuvottelemaan lääkärin ja

lääketieteellisen implantin valmistajan kanssa ennen laitteen käyttämistä.

- Ole aina varovainen ja käytä tervettä järkeä. Jos et ole varma, miten laitetta käytetään erityistilanteessa, sammuta laite ja ota yhteyks Husqvarna-jälleenmyyjään, ennen kuin jatkat.
- Muista, että käyttäjä on vastuussa muille ihmisille tai heidän omaisuudelleen aiheutuvista vahingoista.
- Pidä laite puhtaana. Varmista, että tuotteen merkit ja tarrat ovat luettavissa.
- Älä anna kenenkään käyttää konetta, ellei ole varma, että käyttäjä on lukenut käyttöohjekirjan ja ymmärtänyt siinä annetut ohjeet.
- Älä anna lasten käyttää laitetta.
- Pidä lapset poissa työskentelyalueelta. Vastuullisen aikuisen on oltava aina paikalla.
- Älä anna kenenkään sellaisen henkilön käyttää laitetta, joka ei tunne ohjeita.
- Valvo aina laitetta käyttävää henkilöä, jonka fyysiset tai psyykkiset taidot ovat heikentyneet. Vastuullisen aikuisen on oltava aina paikalla.
- Älä käytä laitetta ollessasi väsynyt tai sairas tai jos olet alkoholin, huumaavien aineiden tai lääkkeiden vaikutuksen alaisena. Niillä on negatiivinen vaikutus näkökyöyysi, vireyteesi, harkintakyöyysi ja kehosi hallintaan.
- Älä käytä konetta, jos se on viallinen.
- Älä tee koneeseen muutoksia tai käytä konetta, mikäli epäilet jonkun muun muuttaneen sitä.
- Älä tee muutoksia moottorin käyntinopeuden hallintaan.

Työalueen turvallisuus



VAROITUS: Lue seuraavat varoitusohjeet ennen koneen käyttämistä.

- Poista työskentelyalueelta oksat, risut ja kivet ennen tuotteen käyttämistä.
- Terävarustukseen osuvat esineet sinkoutuvat edelleen ja voivat siten aiheuttaa vahinkoa ihmisille ja esineille. Pidä sivulliset ja eläimet turvallisen välimatkan päässä tuotteesta.
- Älä koskaan käytä tuotetta huonolla säällä esimerkiksi sumussa, sateessa, kovassa tuulessa, ankarassa pakkasessa tai ukkosella. Tuotteen käyttäminen huonolla säällä tai kosteissa tai märissä olosuhteissa on raskasta. Huono sää voi aiheuttaa vaaratilanteita, kuten liukastumisvaaran.
- Varo henkilöitä, esineitä ja tilanteita, jotka voivat estää tuotteen turvallisen käytön.
- Varo esteitä, kuten juuria, kiviä, risuja, kuoppia ja oja. Pitkän ruohon seassa voi olla esteitä.
- Ruohon leikkaaminen rinteissä voi olla vaarallista. Älä käytä tuotetta rinteessä, jonka kaltevuus on yli 15°.
- Käytä tuotetta sivusuunnassa rinteeseen nähden. Älä käytä tuotetta pystysuunnassa.

- Ole varovainen läheystyössäsi piilossa olevia kulkimia ja esineitä, jotka estävät näkyvyyden.

Työturvallisuus



VAROITUS: Lue seuraavat varoitusohjeet ennen laitteen käyttämistä.

- Käytä tätä tuotetta ainoastaan nurmikoiden leikkaamiseen. Tuotteita ei saa käyttää muihin käyttötarkoituksiin.
- Käytä henkilökohtaisia suojavarusteita. Katso *Henkilökohtainen suojavarustus sivulla 121*.
- Opettele pysäyttämään moottori nopeasti hätätilassa.
- Älä koskaan käynnistä moottoria suljetussa tilassa tai lähellä herkästi syttyviä materiaaleja. Moottorin pakokaasu on kuumaa ja se voi sisältää kipinöitä, jotka voivat aiheuttaa tulipalon.
- Älä käytä tuotetta, ellei sen terää ja kaikkia suojuksia ole kiinnitetty asianmukaisesti. Virheellisesti kiinnitetty terä saattaa irrota ja aiheuttaa henkilövahinkoja.
- Varmista, ettei terä osu kiviin ja juuriin. Tämä voi vaurioittaa terää, ja kampiakseli voi vääntyä. Vääntynyt akseli aiheuttaa voimakasta värinää. Tällöin on erittäin suuri riski, että terä irtoaa.
- Jos terä osuu esineeseen tai alkaa täristä, pysäytä tuote välittömästi. Irrota sytytyskaapeli sytytystulpasta. Tarkista tuote vaurioiden varalta. Korjaa vauriot tai tee korjaustyöt valtuutetussa huoltoliikkeessä.
- Älä koskaan liitä moottorin jarrukahvaa pysyvästi kahvaan moottoria käynnistettäessä.
- Aseta tuote kiinteälle, tasaiselle alustalle ja käynnistä se. Varmista, ettei terä pääse osumaan maahan tai mihinkään esineeseen.
- Ole aina tuotteen takana käyttäessäsi sitä.
- Pidä kaikki renkaat maassa ja molemmat kätesi työntöaisalla käyttäessäsi tuotetta. Pidä kätesi ja jalkasi poissa pyörivien terien läheisyydestä.
- Älä kallista tuotetta moottorin käynnistyksen aikana.
- Ole varovainen vetäessäsi tuotetta taaksepäin.
- Älä koskaan nosta tuotetta moottorin käynnistyksen aikana. Jos tuotetta täytyy nostaa, sammuta ensin moottori ja irrota sytytyskaapeli sytytystulpasta.
- Älä kävele taaksepäin käyttäessäsi tuotetta.
- Sammuta moottori, kun siirät tuotteen ruohottoman alueen yli, esimerkiksi ylittäessäsi sora-, kivi- tai asfalttipolkuja.
- Älä juokse tuotteen kanssa, kun moottoria käynnistetään. Kävele aina, kun käytät tuotetta.
- Sammuta moottori ennen kuin muutat leikkuukorkeutta. Älä koskaan tee säätöjä moottorin käydessä.
- Älä koskaan jätä laitetta ilman valvontaa moottorin käydessä. Sammuta moottori ja varmista, ettei terävarustus pyöri.

Turvallisuusohjeet käyttöä varten

Henkilökohtainen suojavarustus



VAROITUS: Lue seuraavat varoitushjeet ennen koneen käyttämistä.

- Henkilökohtaiset suojavarusteet eivät poista tapaturmien vaaraa, mutta ne lieventävät vammoja onnettomuustilanteessa. Anna jälleenmyyjän auttaa oikeiden varusteiden valinnassa.
- Käytä kuulonsuojaimia, kun melutaso on yli 85 dB.
- Käytä kestäviä luistamattomia saappaita tai kenkiä. Älä käytä avonaisia jalkineita tai kulje paljain jaloin.
- Käytä vahvakankaisia, pitkiä housuja.
- Käytä suojäkäsineitä tarvittaessa, esimerkiksi terävarustuksen asennuksen, tarkastuksen ja puhdistuksen aikana.

Tuotteen turvalaitteet



VAROITUS: Lue seuraavat varoitukset ennen tuotteen käyttöä.

- Älä käytä tuotetta vahingoittuneiden tai viallisten turvalaitteiden kanssa.
- Tarkasta turvalaitteet säännöllisesti. Jos turvalaitteet ovat vahingoittuneet tai eivät toimi oikein, ota yhteys Husqvarna-huoltoosastoon.
- Älä tee muutoksia turvalaitteisiin.

Leikkusuojuksen tarkistaminen

Leikkusuojus vähentää laitteen tärinää ja terän aiheuttamaa tapaturmavaaraa.

- Tarkista leikkusuojus vaurioiden, kuten halkeamien, varalta.

Moottorin jarrukahvan tarkistaminen (LC 551SP, LC 551VQ)

Moottorin jarrukahva pysäyttää moottorin. Kun moottorin jarrukahva vapautetaan, moottori pysähtyy.

- Käynnistä moottori ja vapauta sitten moottorin jarrukahva. Jos moottori ei pysähdy kolmessa sekunnissa, pyydä valtuutettua Husqvarna-huoltoilijää säätämään moottorijarrua. (Kuva 28)

Teräjarrun kytkimen ja käynnistykseneston tarkistaminen (LC 551VBP)

Teräjarrun kytkin pysäyttää vain terän, ei moottoria. Kun teräjarrun kytkin vapautetaan, terä pysähtyy.

1. Käynnistä moottori.
2. Työnnä teräjarrun kytkintä kahvaston suuntaan. Käynnistyksenesto pysäyttää liikkeen.
3. Työnnä käynnistyksenesto ulos.

4. Työnnä teräjarrun kytkintä kahvaston suuntaan. Terä alkaa pyöriä.
5. Vapauta teräjarrun kytkin. Jos terä ei pysähdy kolmessa sekunnissa, pyydä valtuutettua Husqvarna-huoltoilijää säätämään teräjarrua. (Kuva 29)
6. Varmista, että käynnistyksenesto palaa alkuasentoonsa.

Äänenvaimennin

Äänenvaimennin pitää äänitason mahdollisimman alhaisena ja ohjaa moottorin pakokaasut käyttäjästä pois päin.

Älä käytä konetta, jos äänenvaimennin on vaurioitunut tai puuttuu kokonaan. Viallinen äänenvaimennin suurentaa melutasoa ja tulipalon vaaraa.



VAROITUS: Äänenvaimennin on erittäin kuuma käytön aikana, heti käytön jälkeen ja moottorin käydessä joutokäyntinopeudella. Ole varovainen syttyvien materiaalien ja/tai kaasujen lähistöllä, jotta et aiheuta tulipaloa.

Äänenvaimentimen tarkistaminen

- Tarkista äänenvaimennin säännöllisesti vaurioiden varalta ja varmista, että se on kiinnitetty oikein.

Polttoaineturvallisuus



VAROITUS: Lue seuraavat varoitushjeet ennen koneen käyttämistä.

- Älä käynnistä laitetta, jos sen päällä on polttoainetta tai moottoriöljyä. Poista ylimääräinen polttoaine tai öljy ja anna laitteen kuivua.
- Jos olet läikyttänyt polttoainetta vaatteillesi, vaihda vaatteet heti.
- Varo, ettei iholle pääse polttoainetta, sillä se voi aiheuttaa vamman. Jos ihollesi joutuu polttoainetta, pese se pois vedellä ja saippualla.
- Älä käynnistä laitetta, jos moottori vuotaa. Tarkista moottori säännöllisesti vuotojen varalta.
- Käsittele polttoainetta varoen. Polttoaine on syttyvää ja kaasut ovat räjähdysherkkiä, mikä voi aiheuttaa tapaturman tai kuoleman.
- Älä hengitä polttoainehöyryjä, sillä ne voivat aiheuttaa vamman. Varmista, että ilmanvirtaus on riittävä.
- Älä tupakoi polttoaineen tai moottorin lähistöllä.
- Älä sijoita lämpimiä esineitä polttoaineen tai moottorin lähelle.
- Älä lisää polttoainetta, kun moottori on käynnissä.
- Varmista ennen polttoaineen lisäämistä, että moottori on jäähtynyt.

- Ennen kuin lisää polttoainetta, avaa polttoainesäiliön korkki hitaasti ja vapautaa paine varovasti.
- Älä lisää polttoainetta moottoriin sisätallassa. Jos ilmanvirtaus ei ole riittävä, tukehtuminen tai hiilimonoksidin hengittäminen voi aiheuttaa vamman tai kuoleman.
- Kiristä polttoainesäiliön korkki tiukasti. Polttoainesäiliön korkin riittämätön kiristys aiheuttaa tulipalovaaran.
- Siirrä laite ennen käynnistystä vähintään 3 metrin päähän paikasta, jossa lisäsit polttoainetta.
- Älä täytä polttoainesäiliötä täyteen. Kuumuus saa polttoaineen laajenemaan. Jätä polttoainesäiliön päälle tyhjää tilaa.

Turvaohjeet huoltoa varten



VAROITUS: Lue seuraavat varoitusohjeet ennen koneen käyttämistä.

- Moottorin pakokaasut sisältävät hiilimonoksidia, joka on hajuton, myrkyllinen ja erittäin vaarallinen kaasu. Älä käynnistä moottoria sisällä tai suljetuissa tiloissa.

- Jos tuotetta täytyy huoltaa, sammuta ensin moottori ja irrota sytytyskaapeli sytytystulpasta.
- Käytä suojakäsineitä huoltaessasi terävarustusta. Terä on erittäin terävä ja aiheuttaa helposti haavoja.
- Lisävarusteet ja muut kuin valmistajan hyväksymät muutokset tuotteeseen voivat aiheuttaa vakavan vamman tai kuoleman. Älä tee tuotteeseen muutoksia. Käytä vain valmistajan hyväksymiä lisävarusteita.
- Jos tuotetta ei ole huollettu asianmukaisesti ja säännöllisesti, tapaturmien ja tuotteen vaurioitumisen vaara kasvaa.
- Huolla tuote ainoastaan käyttöohjekirjassa annettujen ohjeiden mukaisesti. Kaikki muut huoltotoimet on tehtävä valtuutetussa Husqvarna-huoltoliikkeessä.
- Anna valtuutetun Husqvarna-huoltoliikkeen huoltaa tuote säännöllisesti.
- Vaihda vaurioituneet, kuluneet tai rikkoutuneet osat.

Asentaminen

Johdanto



VAROITUS: Ennen kuin asennat laitteen, lue turvallisuutta käsittelevä luku niin, että ymmärrät sen sisällön.



VAROITUS: Irrota sytytystulpan johto sytytystulpasta ennen laitteen asentamista.

Kahvan asentaminen

1. Irrota alemmat nupit tuotteen vasemmalla ja oikealla sivulla. Varmista, että muovinen aluslevy on kahvan kiinnikkeen syvennyksessä. (Kuva 30)
2. Asenna kahva kuvan mukaisesti eteenpäin käännettynä. (Kuva 31)
 - a) Varmista, että muovinen aluslevy on kahvan ja kahvan kiinnikkeen välissä.
 - b) Liitä kahva kahvan kiinnikkeeseen.
3. Nosta kahva ylös. (Kuva 32)
4. Kiristä nupit huolellisesti. Kahvan korkeuden säätäminen. Katso *Kahvan korkeuden säätäminen sivulla 122*.
5. Aseta vaijerit kaapelikiinnikkeisiin. Varmista, että vaijerit eivät ole vääntyneet. Kiinnitä kaapelin kiinnikkeet kahvaan. (Kuva 33)
6. Kiinnitä kaapelit kahvan kiinnikkeeseen nippusiteillä. (Kuva 34)

Kahvan korkeuden säätäminen

1. Irrota alemmat nupit.
2. Liu'uta nupit urien alaosaan laitteen molemmin puolin. (Kuva 35)
3. Aseta kahvan korkeus jompaankumpaan käytettävissä olevista asennoista.
4. Liu'uta nuppeja ylöspäin kahvastoaa kohti, kunnes ne pysähtyvät ja kuulet naksahduksen. (Kuva 36)
5. Kiristä nupit huolellisesti.

Tuotteen asettaminen kuljetusasentoon

1. Irrota ruohonkerääjä.
2. Irrota alemmat nupit.
3. Liu'uta nupit urien alaosaan laitteen molemmin puolin. (Kuva 35)
4. Taita kahva eteen. (Kuva 37)

Laitteen asettaminen käyttöasentoon

1. Nosta kahvasto ylös. (Kuva 32)
2. Liu'uta nuppeja ylöspäin kahvastoaa kohti, kunnes ne pysähtyvät ja kuulet naksahduksen. (Kuva 36)
3. Kiristä nupit huolellisesti.

Ruohonkerääjän asentaminen

1. Kiinnitä ruohonkerääjän kehys keruupussiin niin, että pussin jäykkä osa on alhaalla. Pidä kehyyksen kahva keruupussin yläpuolella. (Kuva 38)

2. Kiinnitä ruohonkerääjän kehiksen alaosa ruohonkerääjän alaosaan. (Kuva 39)
 - a) Paina ruohonkerääjän kehys uraan. Aloita oikealta puolelta kuvan mukaisesti ja siirry vähitellen vasemmalle.
3. Jos ruohonkerääjän kehys on vaikea kiinnittää, lyö kehystä varovasti kumivasaralla. Lyö ruohonkerääjän kehystä vahvikkeiden väliin. (Kuva 40)
4. Kiinnitä keruupussi ruohonkerääjän kehikseen kiinnikkeillä. (Kuva 41)
5. Nosta takasuojus ylös.
6. Kiinnitä ruohonkerääjä rungon yläreunaan.
7. Aseta ruohonkerääjän alempi osa ruohon ulosheittokanavaan. (Kuva 42)

2. Aseta silppurin tulppa ruohonkerääjän ulosheittokanavaan. (Kuva 43)
3. Vaihda terän tilalle silppurisarjan mukana toimitettu silppuriterä. Katso *Terän vaihtaminen sivulla 126*.

Ruohon leikkaaminen ilman kiinnitettyä ruohonkerääjää tai silppurin tulppaa

- Nosta takasuojus ylös ja irrota ruohonkerääjä.
- Jos silppurin tulppa ja silppuamisterä on kiinnitetty, irrota ne.
- Sulje takasuojus ennen laitteen käyttämistä.

Kun käytät laitetta, ruohosilppu purkautuu takasuojuksen alle.

Silppurin tulpan asentaminen (lisävaruste)

1. Nosta takasuojus ylös ja irrota ruohonkerääjä.

Käyttö

Johdanto



VAROITUS: Lue turvallisuutta käsittelevä luku niin, että ymmärrät sen sisällön, ennen laitteen käyttämistä.

Husqvarna Connect

Husqvarna Connect on ilmainen mobiililaitesovellus. Husqvarna Connect -sovellus saat lisätoimintoja Husqvarna-koneeseen:

- Enemmän tuotetietoja.
- Tietoja koneen osista ja huolto-ohjeita.

Husqvarna Connect -käytön aloittaminen

1. Lataa Husqvarna Connect -sovellus mobiililaitteeseesi.
2. Rekisteröi Husqvarna Connect -sovelluksessa.
3. Liitä ja rekisteröi kone Husqvarna Connect -sovelluksen ohjeiden mukaan.

Ennen tuotteen käyttöä

1. Lue käyttöohje huolellisesti ja varmista, että ymmärrät sen sisältämät ohjeet.
2. Tutki terävarustus ja varmista, että se on kiinnitetty ja säädetty asianmukaisesti. Katso *Terävarustuksen tarkistaminen sivulla 125*.
3. Täytä polttoainesäiliö. Katso *Polttoaineen lisääminen sivulla 123*.
4. Lisää öljysäiliöön öljyä ja tarkista öljytaso. Katso *Öljymäärän tarkistaminen sivulla 126*.

Polttoaineen lisääminen

Käytä ympäristöä säästävää bensiiniä tai alkylaattibensiiniä, jos niitä on saatavilla. Jos ympäristöä säästävää bensiiniä tai alkylaattibensiiniä ei ole saatavilla, käytä lyijytöntä tai lyijyllistä laatubensiiniä, jonka oktaaniluku on vähintään 90.



HUOMAUTUS: Älä käytä polttoainetta, jonka oktaaniluku on pienempi kuin 90 RON (87 AKI). Se voi vaurioittaa laitetta.

1. Vapauta polttoainesäiliöstä painetta avaamalla polttoainesäiliön korkki hitaasti.
2. Kaada polttoainesäiliöön hitaasti polttoainetta. Jos öljyä läikkyy, pyyhi pois liinalla ja anna öljyjäämien kuivua. (Kuva 44)
3. Pyyhi polttoainesäiliön korkin ympäristö puhtaaksi.
4. Kiristä polttoainesäiliön korkki tiukasti. Polttoainesäiliön korkin riittämätön kiristys aiheuttaa tulipalovaaran.
5. Siirrä laite ennen käynnistystä vähintään 3 metrin (10 jalan) päähän paikasta, jossa lisäsit polttoainetta.

Leikkuukorkeuden asettaminen

Leikkuukorkeuden säädössä on 6 tasoa.

1. Nosta leikkuukorkeutta painamalla leikkuukorkeuden säädintä ensin pyörän suuntaan ja sitten taaksepäin.
2. Laske leikkuukorkeutta painamalla leikkuukorkeuden säädintä ensin pyörän suuntaan ja sitten eteenpäin. (Kuva 45)



HUOMAUTUS: Älä aseta leikkuukorkeutta liian alhaiseksi. Jos ruohikon pinta ei ole tasainen, terät voivat osua maahan.

Tuotteen käynnistäminen – (LC 551VQ)

1. Varmista, että sytytysjohto on liitettyä sytytystulppaan.
2. Seiso tuotteen takana.
3. Pidä moottorin jarrukahvaa kahvasto vasten. (Kuva 46)
4. Pitele käynnistysnarun kahvaa oikealla kädelläsi.
5. Vedä käynnistysnarusta hitaasti, kunnes tunnet hieman vastusta.
6. Käynnistä moottori vetämällä voimakkaasti.

Laitteen käynnistäminen (LC 551SP, LC 551VBP)

1. Varmista, että sytytyskaapeli on liitettyä sytytystulppaan.
2. Seiso laitteen takana.
3. Säädä kaasuliipaisinta.
 - a) Jos moottori käynnistetään kylmänä, siirrä kaasuliipaisin rikastusasentoon. (Kuva 47)
 - b) Jos moottori käynnistetään lämpimänä, älä siirrä rikastinvipua rikastusasentoon.
4. Malli LC 551SP: pidä moottorin jarrukahvaa kahvasto vasten. (Kuva 46)
5. Pitele käynnistysnarun kahvaa oikealla kädelläsi.
6. Vedä käynnistysnarusta hitaasti, kunnes tunnet hieman vastusta.
7. Käynnistä moottori vetämällä voimakkaasti.
8. Säädä kaasuliipaisin täydelle kaasulle.
9. Malli LC 551VBP:
 - a) Vapauta käynnistyskenesto.
 - b) Käynnistä terien liike työntämällä teräjarrun kytkintä kahvaston suuntaan.

Vetojärjestelmän käyttäminen pyörillä

- Vedä vetojärjestelmän sanka kahvaston suuntaan. (Kuva 48)

- Mallit LC 551VQ ja LC 551VBP: Säädä ajonopeus kahvan vasemmalla puolella olevalla nopeuden säätöivulla. Kasvata nopeutta siirtämällä nopeuden säätövipua eteenpäin ja hidasta nopeutta vetämällä sitä taaksepäin. (Kuva 49)
- Ennen kuin vedät tuotetta taaksepäin, kytke vetojärjestelmä pois käytöstä ja työnnä tuotetta eteenpäin noin 10 cm.
- Kytke vetojärjestelmä pois käytöstä vapauttamalla vetojärjestelmän sanka esimerkiksi lähestyessäsi estettä.

Laitteen pysäyttäminen (LC 551SP, LC 551VQ)

- Jos haluat pysäyttää vain vetojärjestelmän, vapauta vetojärjestelmän sanka.
- Pysäytä moottori vapauttamalla moottorin jarrukahva.

Tuotteen pysäyttäminen (LC 551VBP)

- Jos haluat pysäyttää vain vetojärjestelmän, vapauta vetojärjestelmän sanka.
- Sammuta moottori siirtämällä kaasuliipaisin pysäytysasentoon.

Hyvän tuloksen saavuttaminen

- Käytä aina hyvin teroitettua terää. Tylsä terä leikkaa epätasaisesti ja ruohosta tulee keltaista leikatun pinnan kohdalta. Hyvin teroitettu terä käyttää myös tylsää terää vähemmän energiaa.
- Älä leikkaa enempää kuin 1/3 ruohon pituudesta. Aseta leikkuukorkeus ensimmäisellä leikkuukerralla korkeaksi. Tutkittuasi leikkuutuloksen voit laskea leikkuukorkeuden haluamallesi tasolle. Jos ruoho on erittäin pitkää, kulje hitaasti ja leikkaa nurmikko tarvittaessa kaksi kertaa.
- Leikkaa joka kerta eri suuntiin, jotta nurmikkoon ei tule raitoja.
- Pidä leikkuusuojus puhtaana. Leikkuusuojuksen sisäpuolelle kertynyt ruoho ja liika voivat heikentää leikkuutuloksia. Katso kohta *Leikkuusuojuksen sisäpinnan puhdistaminen sivulla 125*.

Huolto

Johdanto



VAROITUS: Ennen minkäänlaisten huoltotöiden aloittamista sinun on luettava turvallisuutta käsittelevä luku niin, että ymmärrät sen sisällön.

Kaikkiin tuotteelle tehtäviin huolto- ja korjaustöihin tarvitaan erityiskoulutus. Takaamme, että tuotteemme huolletaan ja korjataan ammattimaisesti. Jos jälleenmyyjäsi ei ole huoltoliike, pyydä jälleenmyyjäsi neuvomaan lähin huoltoliike.

Katso lisätietoja kohdasta www.husqvarna.com.



HUOMAUTUS: Varmista, että ilmansuodatin on tuotteen yläosassa eikä

Huoltovälit on laskettu tuotteen päivittäisen käytön perusteella. Välit voivat muuttua, jos tuotetta ei käytetä päivittäin.

Lisätietoja *-merkillä merkityistä huolloista on kohdassa *Tuotteen turvalaitteet sivulla 121.*

Huolto	Päivittäin	Viikoittain	Kuukausittain
Tee yleistarkastus	X		
Tarkista öljytaso	X		
Puhdista tuote	X		
Tarkista terävarustus	X		
Tarkista leikkuusuojus*	X		
Tarkista moottorin jarrukahva * LC 551SP, LC 551VQ	X		
Tarkista teräjarrun kytkin * LC 551VBP	X		
Tarkista äänenvaimennin*		X	
Tarkista sytytystulppa		X	
Vaihda öljy (ensimmäisten viiden käyttötunnin jälkeen ja sitten 50 käyttötunnin välein sekä vuosittain)			X
Puhdista tai vaihda ilmansuodatin			X
Tarkista polttoainejärjestelmä			X

Yleistarkastus

- Varmista, että laitteen kaikki ruuvit ja mutterit on kiristetty oikein.

Tuotteen puhdistaminen

- Puhdista muoviosat puhtaalla ja kuivalla liinalla.
- Älä käytä tuotteen puhdistamiseen vettä. Vesi voi päästä akun tai moottorin sisään ja vaurioittaa tuotetta tai aiheuttaa oikosulun.
- Älä puhdista tuotetta painepesurilla.
- Älä suihkuta vettä suoraan moottorin päälle.
- Poista lehdet, ruoho ja lika harjalla.
- Irrota kytkintelo ja puhdista ruoho kytkinteloa alta harjalla. (LC 551VBP)

Leikkuusuojuksen sisäpinnan puhdistaminen

- Tyhjennä polttoainesäiliö.
- Aseta tuote kyljelleen äänenvaimennin alaspäin.



HUOMAUTUS: Jos tuote asetetaan ilmansuodatin alaspäin, moottori saattaa vaurioitua.

- Pese leikkuusuojuksen sisäpinta vesiletkulla.

Terävarustuksen tarkistaminen



VAROITUS: Estä tuotteen tahaton käynnistyminen irrottamalla sytytyskaapeli sytytystulpasta.



VAROITUS: Käytä suojakäsineitä huoltaessasi terävarustusta. Terä on erittäin terävä ja aiheuttaa helposti haavoja.

- Tutki terävarustus vaurioiden tai halkeamien varalta. Vaurioitunut terävarustus on aina vaihdettava.
- Tarkista, onko terä vaurioitunut tai tylsä.

Huomautus: Terä on tasapainotettava oikein teroituksen jälkeen. Anna huoltoliikkeen teroittaa, vaihtaa ja tasapainottaa terä. Jos osut esteeseen niin, että tuote pysähtyy, vaihda vaurioitunut terä. Anna huoltoliikkeen arvioida, voiko terän teroittaa vai onko se vaihdettava.

Terän vaihtaminen

1. Lukitse terä puukiilalla. (Kuva 50)
2. Irrota teräpultti.
3. Irrota terä.
4. Tarkista terätuki ja -pultti vaurioiden varalta.
5. Tutki kampiakseli ja varmista, ettei se ole vääntynyt.
6. Asenna uusi terä siten, että terän kulmikkaat päät osoittavat leikkuusuojuksen suuntaan. (Kuva 51)
7. Varmista, että terä on kohdistettu kampiakselin keskiosan kanssa.
8. Lukitse terä puukiilalla. (Kuva 52)
9. Kiinnitä terä.
 - a) Mallit LC 551SP, LC 551VQ: kiinnitä jousialuslevy paikalleen ja kiristä pultti ja aluslevy momenttiin 70 Nm.
 - b) Malli LC 551VBP: kiristä pultit kiristysmomenttiin 50 Nm. (Kuva 53)
10. Pyöritä terää käsin ja varmista, että se pyörii vapaasti.



VAROITUS: Käytä paksuja käsineitä. Terä on erittäin terävä ja aiheuttaa helposti vammoja.

11. Testaa terää käynnistämällä tuote. Jos terä ei ole kiinnitetty asianmukaisesti, tuote tärisee tai sen leikkuutulos ei ole tyydyttävä.

Öljymäärän tarkistaminen



HUOMAUTUS: Liian alhainen öljytaso voi vaurioittaa moottoria. Tarkista öljytaso ennen kuin käynnistät tuotteen.

1. Aseta tuote tasaiselle alustalle.
2. Irrota polttoainesäiliön korkki ja mittatikku.
3. Pyyhi mittatikku puhtaaksi öljystä.
4. Työnnä mittatikku kokonaan öljysäiliöön. Kiristä öljysäiliön korkki, jotta saat oikean kuvan öljytasosta.
5. Poista mittatikku.
6. Tarkista öljytaso mittatikusta.
7. Jos öljytaso on alhainen, lisää moottoriöljyä ja tarkista öljytaso uudelleen.

(Kuva 54)

Huomautus: Käytä suppiloa läikkyamisen välttämiseksi.

Moottoriöljyn vaihtaminen



VAROITUS: Moottoriöljy on erittäin kuumaa moottorin sammuttamisen jälkeen. Anna moottorin jäähtyä ennen kuin valutat moottoriöljyn pois moottorista. Jos moottoriöljyä joutuu iholle, pese öljy pois vedellä ja saippualla.

(Kuva 55)

1. Irrota sytytyskaapeli sytytystulpasta.
2. Irrota öljysäiliön korkki.
3. Tyhjennä moottoriöljy.
 - a) Mallit, joissa on öljyntyhjennystulppa: Aseta tuotteen alle säiliö, johon valutat öljyn.
 - b) Mallit, joissa ei ole öljyntyhjennystulppaa tai joissa säiliön asettaminen öljyntyhjennystulpan alle ei ole mahdollista: Tyhjennä moottoriöljy öljysäiliöstä öljynpoistopumpulla (lisävaruste).
4. Lisää uutta moottoriöljyä, jota suositellaan kohdassa *Tekniset tiedot sivulla 128*.
5. Tarkista öljytaso. Katso kohdasta *Öljymäärän tarkistaminen sivulla 126*.

Moottoriöljyn täyttäminen ja vaihtaminen

- Tietoa moottoriöljyn täyttämisestä ja vaihtamisesta on moottorin käyttöohjekirjassa.

Ilmansuodattimen puhdistaminen ja vaihtaminen (LC 5551SP, LC 551VBP)

- Tietoa ilmansuodattimen puhdistamisesta ja vaihtamisesta on moottorin käyttöohjekirjassa.

Ilmansuodattimen irrottaminen ja asentaminen (LC 551VQ)



VAROITUS: Käytä suojakäsineitä.

1. Paina ilmansuodattimen kannen kiinnikkeitä.
2. Irrota ilmansuodattimen kansi (A) varovasti moottorista.
3. Irrota ilmansuodatin (B) ja vaahtosuodatin (C). (Kuva 56)
4. Tarkista ilmansuodatin vaurioiden varalta. Vaihda vaurioitunut ilmansuodatin.
5. Puhdista ja tarkista ilmansuodatin. Katso kohdasta *Ilmansuodattimen puhdistaminen – (LC 551VQ) sivulla 127*.
6. Asenna päinvastaisessa järjestyksessä.

Ilmansuodattimen puhdistaminen – (LC 551VQ)



HUOMAUTUS: Älä käytä moottoria ilman ilmansuodatinta tai jos ilmansuodatin on likaantunut.



HUOMAUTUS: Vaihda ilmansuodatin, jos se ei puhdistu tai jos se on vaurioitunut. Viallinen ilmansuodatin vahingoittaa moottoria.

1. Paina kielekkeitä (A), irrota ilmansuodattimen kansi (B) ja irrota ilmansuodatin (C). (Kuva 57)
2. Kopauta ilmansuodatinta varovasti kovaa pintaa vasten tai puhdista se puhaltamalla paineilmaa suodattimen puhtaalta puolelta.



HUOMAUTUS: Älä käytä puhdistamiseen harjaa, sillä se työntää likaa ilmansuodattimen sisään.

3. Puhdista ilmansuodattimen kotelo (D) ja kansi kostealla liinalla.



HUOMAUTUS: Varmista, että ilmaputkeen (E) ei pääse likaa.

4. Asenna ilmansuodatin. Varmista, että ilmansuodatin asettu tiiviisti ilmansuodattimen pidintä vasten.
5. Asenna ilmansuodattimen kansi painamalla ensin alapuolen kiinnikkeet paikoilleen.

Sytytystulpan tarkistus



HUOMAUTUS: Käytä aina suositeltua sytytystulppaa. Väärä sytytystulpan tyyppi voi aiheuttaa laitteen vaurioitumisen.

- Tarkista sytytystulppa, jos moottorin teho on heikko, moottoria on vaikea saada käyntiin tai se ei toimi oikein joutokäyntinopeudella.
- Ehkäise ylimääräisen materiaalin joutuminen sytytystulpan elektrodeihin noudattamalla seuraavia ohjeita:
 - a) Varmista, että joutokäyntinopeus on säädetty oikein.
 - b) Varmista, että polttoaineseos on oikea.
 - c) Varmista, että ilmansuodatin on puhdas.
- Jos sytytystulppa on karstoittunut, puhdista se ja tarkista samalla, että kärkiväli on oikea, katso *Tekniset tiedot sivulla 128*. (Kuva 58)
- Vaihda sytytystulppa tarvittaessa.

Polttoainejärjestelmän tarkistaminen

- Tutki polttoainesäiliön korkki ja polttoainesäiliön korkin tiiviste vaurioiden varalta.
- Tutki polttoaineletku vuotojen varalta. Jos polttoaineletku on vaurioitunut, vaihdata se huoltoliikkeessä.

Nopeuden säätimen ja kaasuliipaisimen säätäminen

Nopeuden säädin säätää moottorin ajonopeutta. Kaasuliipaisin säätää moottorin käyntinopeutta.



HUOMAUTUS: Älä säädä nopeuden säädintä moottorin käydessä.

1. Säädä ajonopeutta kääntämällä säätöruuvia (A), joka muuttaa kaapelin vaipan pituutta. Kasvata nopeutta lyhentämällä kaapelin vaippaa.
2. Jos rikastin- tai pysäytysasentoa ei voi kytkeä, säädä moottorin nopeutta. Käännä säätöruuvia (B). (Kuva 59)

Kuljettaminen, säilyttäminen ja hävittäminen

Kuljetus ja säilytys

- Kun säilytät ja kuljetat tuotetta ja polttoainetta, varmista, ettei tuote vuoda polttoainetta tai polttoainehöyryä. Esimerkiksi sähkölaitteista tai lämmityskattiloista peräisin olevat kipinät tai avotuli voivat aiheuttaa tulipalon.
- Käytä polttoaineen säilytyksessä ja kuljettamisessa aina hyväksytyjä polttoainesäiliöitä.
- Tyhjennä tuotteen polttoainesäiliö, jos varastoit tuotteen pitkäksi ajaksi. Hävitä polttoaine viemällä se asianmukaiseen keräyspisteeseen.
- Vältä onnettomuudet ja tuotteen vaurioituminen kiinnittämällä tuote turvallisesti kuljetuksen ajaksi.

- Säilytä tuotetta lukitussa varastossa, jonne lapset ja asiattomat henkilöt eivät pääse.
- Säilytä tuotetta kuivassa paikassa, jossa lämpötila ei laske pakkasen puolelle.

Hävittäminen

- Noudata paikallisia kierrätysvaatimuksia ja säädöksiä.
- Hävitä kaikki kemikaalit, kuten moottoriöljy ja polttoaine viemällä ne huoltoliikkeeseen tai asianmukaiseen keräyspisteeseen.
- Kun tuote tulee elinkaarensa päähän, hävitä tuote lähettämällä se Husqvarna-jälleenmyyjälle tai kierrätyspisteeseen.

Tekniset tiedot

	LC 551SP	LC 551VBP	LC 551VQ
Moottori			
Tuotemerkki	Kawasaki	Kawasaki	Husqvarna
Malli	FJ180V	FJ180V	HS 166AP
Moottorin tyyppi	Yksisylinterinen, nelitahtinen, paineilma-jäähdytys, OHV	Yksisylinterinen, nelitahtinen, paineilma-jäähdytys, OHV	Yksisylinterinen, nelitahtinen, paineilma-jäähdytys, OHV
Iskutilavuus, cm ³	179	179	166
Nopeus, r/min	2 800	2 800	2 800
Moottorin nimellisteho, kW ⁴¹	2,9	2,9	2,7
Sytytysjärjestelmä			
Sytytystulppa	NGK BPR5ES	NGK BPR5ES	Husqvarna HQT-7
Kärkiväli, mm	0,6–0,8	0,6–0,8	0,7–0,8
Polttoaine-/voitelujärjestelmä			
Moottorin voitelun tyyppi	Paine öljysuodattimen kanssa	Paine öljysuodattimen kanssa	Roiske
Polttoainesäiliön tilavuus, l	1,9	1,9	1,5
Öljysäiliön tilavuus, l	0,7	0,7	0,5
Moottoriöljy ⁴²	Husqvarna SAE 30	Husqvarna SAE 30	Husqvarna SAE 30
Paino			
Säiliöt tyhjinä, kg	48,5	52,5	51,0
Melupäästöt ⁴³			
Äänentehotaso, mitattu dB(A)	97	96	97
Äänentehotaso, taattu L _{WA} dB(A)	98	98	98
Äänitasot ⁴⁴			
Äänenpainetaso käyttäjän korvan tasalla, dB(A)	87	84	86

⁴¹ Moottorin ilmoitettu nimellisteho on moottorimallia edustavan tyypillisen tuotantomoottorin keskimääräinen nettoteho (rpm) mitattuna SAE-standardin J1349/ISO1585 mukaisesti. Massatuotantomoottorit voivat poiketa tästä arvosta. Tuotteeseen asennetun moottorin todellinen lähtöteho riippuu käyttönopeudesta, ympäristön olosuhteista ja muista arvoista.

⁴² Jos SAE-30-öljyä käytetään alle +5 °C:n lämpötilassa, öljy ei välttämättä voitele moottoria riittävästi. Se voi vahingoittaa moottoria. Katso kohdasta *Moottoriöljyn vaihtaminen sivulla 126* tiedot alhaisiin lämpötiloihin sopivasta öljystä.

⁴³ Melupäästö ympäristöön äänitehona (L_{WA}) EY-direktiivin 2000/14/EY mukaisesti mitattuna.

⁴⁴ Äänenpainetaso standardin ISO 5395 mukaan. Äänenpainetasoista ilmoitettujen tietojen tyypillinen tilastollinen hajonta (keskihajonta) on 1,2 dB(A).

	LC 551SP	LC 551VBP	LC 551VQ
Tärinätasot ⁴⁵			
Työntöaisa, m/s ²	4,5	4,5	3,2
Terävarustus			
Leikkuukorkeus, mm	26–74	26–74	26–74
Leikkuuleveys, mm	510	510	510
Terä	Keruu	Keruu	Keruu
Tuotenumero	5875908–10	5821494–10	5875908–10
Ruohonkerääjän tilavuus, litraa	65	65	65
Ajo			
Nopeus, km/h	4,1	2,8–5	2,8–5

⁴⁵ Tärinätasot standardin ISO 5395 mukaan. Tärinätasolle ilmoitetuissa tiedoissa tyypillinen tilastollinen hajonta (vakiopoikkeama) on 0,2 m/s².

Vaatimustenmukaisuusvakuutus

EU-vaatimustenmukaisuusvakuutus

Husqvarna AB, SE-561 82 Huskvarna, Ruotsi, puh. +46
36 146500, vakuuttaa täten, että tuote:

Kuvaus	Ruohonleikkuri
Tuotemerkki	Husqvarna
Tyyppi/malli	LC 551SP, LC 551VBP, LC 551VQ
Tunniste	Sarjanumerot vuodesta 2022 alkaen

vastaavat täysin seuraavien EU:n direktiivien ja
asetusten vaatimuksia:

Asetus	Kuvaus
2006/42/EC	konedirektiivi
2014/30/EU	EMC-direktiivi
2000/14/EC	Melupäästädirektiivi
2011/65/EU	Direktiivi tiettyjen vaarallisten aineiden käytön rajoittamisesta sähkö- ja elektroniikkalaitteissa

ja että asiassa sovelletaan seuraavia standardeja ja/tai
teknisiä tietoja: EN ISO 5395-1:2013/A1:2018, EN ISO
5395-2:2013/A1:2016/A2:2017, EN ISO 14982:2009, EN
IEC 63000:2018

Ilmoitettu tarkastuslaitos: 0404, RISE SMP
Svensk Maskinprovning AB, Box 4053, SE-904
03 Umeå, Sweden vakuuttaa yhdenmukaisuuden
neuvoston direktiivin 2000/14/EY mukaisesti,
vaatimustenmukaisuuden arviointimenettely: liite VI.

Katso lisätietoja melupäästöistä osiosta *Tekniset tiedot*
sivulla 128.

Huskvarna, 2022-09-29

Claes Losdal, kehityspäällikkö/puutarhatuotteet,
Husqvarna AB

Teknisestä dokumentaatiosta vastaava edustaja



Sommaire

Introduction.....	131	Entretien.....	138
Sécurité.....	132	Transport, entreposage et mise au rebut.....	141
Montage.....	136	Caractéristiques techniques.....	142
Utilisation.....	137	Déclaration de conformité.....	144

Introduction

Description du produit

Le produit est une tondeuse rotative à pousser. L'herbe est recueillie dans un collecteur d'herbe. Retirez le collecteur d'herbe pour permettre l'éjection arrière de l'herbe. Fixez un kit de mulching (accessoire) pour broyer l'herbe et la transformer en engrais.

Aperçu du produit

(Fig. 1)

1. Poignée de frein moteur
2. Poignée/Guidon
3. Commande de vitesse
4. Manette de commande
5. Poignée du câble du démarreur
6. Bac de ramassage
7. Réglage de la hauteur de poignée
8. Commande de réglage de la hauteur de coupe

Aperçu du produit

(Fig. 2)

1. Poignée/Guidon
2. Commande de frein de la lame (LC 551VBP)
3. Commande de vitesse/accélération (LC 551VBP)
4. Manette de commande (LC 551VBP)
5. Antidémarrage (LC 551VBP)
6. Poignée du câble du démarreur
7. Bac de ramassage
8. Réglage de la hauteur de poignée
9. Commande de réglage de la hauteur de coupe
10. Jauge/réservoir d'huile
11. Capot de coupe
12. Silencieux
13. Bougie
14. Filtre à air
15. Réservoir de carburant
16. Capot arrière
17. Poignée de frein moteur (LC 551SP)
18. Commande d'accélération (LC 551SP)
19. Manette de commande (LC 551SP)
20. Manuel d'utilisation

Utilisation prévue

Utilisez le produit pour couper l'herbe. N'utilisez pas ce produit pour d'autres travaux.

9. Jauge/réservoir d'huile
10. Capot de coupe
11. Silencieux
12. Bougie
13. Filtre à air
14. Réservoir de carburant
15. Capot arrière
16. Manuel d'utilisation

Symboles concernant le produit

- (Fig. 3) Une utilisation négligente ou inadaptée peut provoquer des blessures graves, voire mortelles, pour l'opérateur ou les personnes à proximité.
- (Fig. 4) Lisez attentivement le manuel d'utilisation et assurez-vous de bien comprendre les instructions avant utilisation.
- (Fig. 5) Maintenez les personnes et les animaux à une distance suffisante de la zone de travail.
- (Fig. 6) Coupez le moteur et retirez le câble d'allumage avant toute réparation ou opération d'entretien.
- (Fig. 7) Huile
- (Fig. 8) Rapide
- (Fig. 9) Lent
- (Fig. 10) Arrêt du moteur

- (Fig. 11) Starter
- (Fig. 12) Embayage de lame
- (Fig. 13) Attention : projections et ricochets.
- (Fig. 14) Éloignez vos mains et vos pieds de la lame en rotation.
- (Fig. 15) Éloignez vos mains et vos pieds des pièces rotatives.
- (Fig. 16) Ce produit est conforme aux directives de l'UE en vigueur.
- (Fig. 17) Ce produit est conforme aux directives applicables en vigueur au Royaume-Uni.
- (Fig. 18) Étiquette relative aux émissions sonores dans l'environnement selon les directives et réglementations européennes et du Royaume-Uni et la législation de la Nouvelle-Galles du Sud « Protection of the Environment Operations (Noise Control) Regulation 2017 ». Le niveau de puissance sonore garanti du produit est spécifié à la section *Caractéristiques techniques à la page 142* et sur l'étiquette.
- (Fig. 19) Les gaz d'échappement du moteur contiennent du monoxyde de carbone, un gaz inodore, toxique et très dangereux. Ne faites pas tourner le moteur en intérieur ou dans des espaces fermés.
- (Fig. 20) Ne faites pas tourner le moteur en intérieur ou dans des espaces fermés.
- (Fig. 21) Risque d'explosion.
- (Fig. 22) Surface chaude
- (Fig. 23) Le moteur est fourni sans huile.
- (Fig. 24) Remplissez le produit d'huile avant de l'utiliser.
- (Fig. 25) N'utilisez pas de carburant E85.
- (Fig. 26) Maintenez le produit à l'écart des flammes nues.
- (Fig. 27) Code optiquement lisible.

Remarque: Les autres symboles/autocollants présents sur le produit concernent des exigences légales spécifiques à certains marchés.

Émissions Euro V



AVERTISSEMENT: toute altération du moteur a pour effet d'annuler l'homologation de type UE de ce produit.

Responsabilité

Conformément à la loi sur la responsabilité du fait des produits, nous déclinons toute responsabilité pour tout dommage causé par notre produit si :

- le produit n'est pas correctement réparé ;
- le produit est réparé avec des pièces qui ne proviennent pas du fabricant ou qui ne sont pas homologuées par le fabricant ;
- le produit est équipé d'un accessoire qui ne provient pas du fabricant ou qui n'est pas homologué par le fabricant ;
- le produit n'est pas réparé par un centre d'entretien agréé ou par une autorité homologuée.

Sécurité

Définitions de sécurité

Des avertissements, des recommandations et des remarques sont utilisés pour souligner des parties spécialement importantes du manuel.



AVERTISSEMENT: Symbole utilisé en cas de risque de blessures ou de mort pour l'opérateur ou les personnes à proximité si les instructions du manuel ne sont pas respectées.



REMARQUE: Symbole utilisé en cas de risque de dommages pour le produit, d'autres matériaux ou les environs si

les instructions du manuel ne sont pas respectées.

Remarque: Symbole utilisé pour donner des informations supplémentaires pour une situation donnée.

Instructions générales de sécurité



AVERTISSEMENT: Lisez les instructions qui suivent avant d'utiliser le produit.

- Ce produit est dangereux s'il est utilisé de manière incorrecte ou imprudente. Des blessures graves ou mortelles peuvent se produire si vous ne respectez pas les instructions de sécurité.
- Ce produit génère un champ électromagnétique durant son fonctionnement. Ce champ peut dans certaines circonstances perturber le fonctionnement d'implants médicaux actifs ou passifs. Pour réduire le risque de blessures graves ou mortelles, les personnes portant des implants médicaux doivent consulter leur médecin et le fabricant de leur implant avant d'utiliser ce produit.
- Soyez toujours prudent et utilisez votre bon sens. Si vous ne savez pas comment faire fonctionner le produit dans une situation particulière, ne l'utilisez pas et contactez votre Husqvarna revendeur avant de poursuivre.
- N'oubliez pas que l'opérateur sera tenu responsable des accidents occasionnés à des tiers et à leurs biens.
- Maintenez le produit propre. Assurez-vous que vous pouvez lire clairement les avertissements et les autocollants.
- Ne laissez personne utiliser le produit avant d'avoir lu et compris le contenu du manuel de l'opérateur.
- Ne laissez pas un enfant utiliser le produit.
- Maintenez les enfants éloignés de la zone de travail. Un adulte responsable doit être présent à tout moment.
- Ne laissez pas une personne utiliser le produit si elle ne connaît pas les instructions.
- Surveillez constamment les personnes aux capacités physiques ou mentales réduites qui utilisent ce produit. Un adulte responsable doit être présent à tout moment.
- N'utilisez jamais l'appareil si vous êtes fatigué ou malade, ou si vous êtes sous l'emprise d'alcool, de drogues ou de médicaments. Cela a un effet négatif sur votre vision, votre vigilance, votre coordination et votre jugement.
- N'utilisez pas le produit si celui-ci est défectueux.
- Ne modifiez jamais le produit et ne l'utilisez jamais s'il est susceptible d'avoir été modifié par un tiers.
- Ne modifiez pas le réglage de régulation du régime moteur.
- N'utilisez jamais le produit par mauvais temps, par exemple en cas de brouillard, de pluie, de vent violent, de froid intense et de risque d'éclair. Utiliser le produit par mauvais temps ou dans des environnements humides est fatigant. Le mauvais temps peut rendre les conditions de travail dangereuses : des surfaces peuvent par exemple devenir glissantes.
- Identifiez les éventuels personnes, objets et situations susceptibles de nuire à la sécurité du fonctionnement du produit.
- Soyez attentif aux obstacles tels que les racines, les pierres, les brindilles, les fosses et les fossés. L'herbe haute peut cacher des obstacles.
- Il peut être dangereux de couper l'herbe sur des terrains en pente. N'utilisez pas le produit sur un sol dont la pente est supérieure à 15°.
- Faites fonctionner le produit en travers de la courbe de la pente, jamais de haut en bas.
- Soyez prudent lorsque vous vous approchez de coins cachés et d'objets qui empêchent d'avoir une vue dégagée.

Sécurité du travail



AVERTISSEMENT: Lisez les instructions qui suivent avant d'utiliser le produit.

- Utilisez le produit uniquement pour couper les pelouses. Il est interdit d'utiliser le produit pour d'autres travaux.
- Utilisez un équipement de protection personnelle. Reportez-vous à la section *Équipement de protection individuelle* à la page 134.
- Assurez-vous que vous savez arrêter le moteur rapidement en cas d'urgence.
- Ne démarrez jamais le moteur dans un espace clos ou à proximité de matériaux inflammables. Les gaz d'échappement du moteur sont très chauds et peuvent contenir des étincelles pouvant provoquer un incendie.
- Faites fonctionner le produit uniquement si la lame et tous les couvercles sont fixés correctement. Une lame fixée de manière inadéquate risque de se détacher et de causer des blessures personnelles.
- Assurez-vous que la lame ne touche pas des objets tels que des pierres et des racines. Cela peut ne pas endommager la lame et tordre l'arbre du moteur. Un arbre tordu génère de fortes vibrations, il y a alors un risque important que la lame se détache.
- Arrêtez immédiatement le produit s'il vibre ou bute sur un objet. Débranchez le câble d'allumage de la bougie. Vérifiez que le produit n'est pas endommagé. Réparez les éventuels dommages ou demandez à un atelier spécialisé agréé procéder aux réparations.
- N'attachez jamais la poignée de frein moteur en permanence à la poignée de commande quand le moteur est mis en marche.

Sécurité dans l'espace de travail



AVERTISSEMENT: Lisez les instructions qui suivent avant d'utiliser le produit.

- Retirez les objets tels que les branches, les brindilles et les pierres de la zone de travail avant d'utiliser le produit.
- Les objets heurtant l'équipement de coupe peuvent être éjectés et causer des blessures ou des dégâts matériels. Maintenez les personnes au alentours et les animaux à une distance suffisante du produit.

- Placez le produit sur une surface stable et plane, puis lancez-le. Vérifiez que la lame ne touche pas le sol ou tout autre objet.
- Restez toujours derrière le produit lorsque vous l'utilisez.
- Faites reposer toutes les roues sur le sol et conservez vos deux mains sur la poignée lorsque vous faites fonctionner le produit. Maintenez les mains et les pieds à distance des lames en rotation.
- N'inclinez pas le produit quand le moteur est mis en marche.
- Soyez prudent lorsque vous tirez le produit vers l'avant.
- Ne soulevez jamais le produit quand le moteur est mis en marche. Si vous devez soulever le produit, coupez d'abord le moteur et débranchez le câble d'allumage de la bougie.
- Ne marchez pas vers l'arrière lorsque vous utilisez le produit.
- Arrêtez le moteur lorsque vous vous déplacez à travers des zones exemptes d'herbe, par exemple des chemins de gravier, de pierre ou d'asphalte.
- Ne courez pas lorsque vous utilisez le produit et que le moteur est mis en marche. Vous devez toujours marcher lorsque vous utilisez le produit.
- Arrêtez le moteur avant de modifier la hauteur de coupe. N'effectuez jamais de réglages pendant que le moteur tourne.
- Ne quittez jamais le produit des yeux pendant que le moteur tourne. Arrêtez le moteur et assurez-vous que l'équipement de coupe ne tourne pas.

Consignes de sécurité pour le fonctionnement

Équipement de protection individuelle



AVERTISSEMENT: Lisez les instructions qui suivent avant d'utiliser le produit.

- L'équipement de protection individuel ne protège pas complètement des blessures, mais il diminue la gravité des blessures en cas d'accident. Faites appel à votre revendeur pour vous aider à sélectionner l'équipement adéquat.
- Utilisez des protège-oreilles si le niveau sonore est supérieur à 85 dB.
- Portez des bottes ou chaussures antidérapantes à usage intensif. Ne portez pas de chaussures ouvertes et ne soyez pas pieds nus lorsque vous utilisez le produit.
- Utilisez des pantalons longs et épais.
- Portez des gants de protection en cas de besoin, par exemple lorsque vous fixez, examinez ou nettoyez l'équipement de coupe.

Dispositifs de sécurité sur le produit



AVERTISSEMENT: lisez les instructions qui suivent avant d'utiliser le produit.

- N'utilisez pas un produit dont les dispositifs de sécurité sont endommagés ou ne fonctionnent pas correctement.
- Contrôlez les dispositifs de sécurité régulièrement. Si les dispositifs de sécurité sont endommagés ou ne fonctionnent pas correctement, contactez votre atelier spécialisé Husqvarna.
- N'apportez pas de modifications aux dispositifs de sécurité.

Pour contrôler le capot de coupe

Le capot de coupe réduit les vibrations dans le produit et réduit le risque de blessures provoquées par la lame.

- Examinez le capot de coupe pour vous assurer qu'il ne présente pas de dommages tels que des fissures.

Pour contrôler la poignée de frein moteur (LC 551SP, LC 551VQ)

La poignée de frein moteur arrête le moteur. Lorsque la poignée de frein moteur est relâchée, le moteur s'arrête.

- Démarrez le moteur, puis relâchez la poignée de frein moteur. Si le moteur ne s'arrête pas au bout de 3 secondes, demandez à un atelier agréé Husqvarna de régler le frein moteur. (Fig. 28)

Pour contrôler la commande de frein de la lame et l'antidémarrage (LC 551VBP)

La commande de frein de la lame arrête seulement la lame, pas le moteur. Lorsque la commande de frein de la lame est relâchée, la lame s'arrête.

1. Démarrer le moteur.
2. Poussez la commande de frein de la lame en direction du guidon. L'antidémarrage arrête le mouvement.
3. Poussez l'antidémarrage.
4. Poussez la commande de frein de la lame en direction du guidon. La lame se met à tourner.
5. Relâchez la commande de frein de la lame. Si la lame ne s'arrête pas au bout de 3 secondes, demandez à un atelier agréé Husqvarna de régler le frein de la lame. (Fig. 29)
6. Assurez-vous que l'antidémarrage retourne à sa position initiale.

Silencieux

Le silencieux est conçu pour réduire au maximum le niveau sonore et rejeter les gaz d'échappement loin de l'utilisateur.

N'utilisez pas la machine si le silencieux est manquant ou défectueux. Un silencieux en mauvais état augmente le niveau sonore et le risque d'incendie.



AVERTISSEMENT: Le silencieux devient très chaud pendant et après utilisation et lorsque le moteur fonctionne au régime de ralenti. Soyez vigilant à proximité des matériaux inflammables et/ou des fumées pour prévenir tout risque d'incendie.

Pour contrôler le silencieux

- Examinez le silencieux régulièrement pour s'assurer qu'il est correctement fixé et qu'il n'est pas endommagé.

Sécurité carburant



AVERTISSEMENT: Lisez les instructions qui suivent avant d'utiliser le produit.

- Ne démarrez pas le produit si du carburant ou de l'huile moteur a été renversé(e) sur le produit. Essuyez le carburant/l'huile et attendez que le produit sèche.
- Si vous avez renversé du carburant sur vos vêtements, changez de vêtements immédiatement.
- Évitez tout contact de la peau avec le carburant. Le carburant peut causer des blessures. Si votre peau entre en contact avec le carburant, lavez les parties qui ont été en contact avec de l'eau et du savon.
- Ne démarrez pas le produit s'il y a une fuite de moteur. Vérifiez régulièrement s'il y a des fuites de moteur.
- Faites attention avec le carburant. Le carburant est inflammable et ses vapeurs sont explosives. Il peut causer des blessures graves, voire mortelles.
- Ne respirez pas les vapeurs de carburant, elles peuvent causer des blessures. Assurez-vous que la ventilation est suffisante.
- Ne fumez pas à proximité du carburant ou du moteur.
- Ne mettez pas d'objets chauds à proximité du carburant ou du moteur.
- N'ajoutez pas de carburant lorsque le moteur est allumé.
- Assurez-vous que le moteur est froid avant de faire le plein de carburant.
- Avant de faire le plein, ouvrez le bouchon du réservoir de carburant lentement et relâchez la pression avec précaution.

- N'ajoutez pas de carburant au moteur dans un espace intérieur. Un débit d'air insuffisant peut causer des blessures graves, voire mortelles dues à une asphyxie ou au monoxyde de carbone.
- Serrez complètement le bouchon du réservoir de carburant. Si le bouchon du réservoir de carburant n'est pas serré, il y a un risque d'incendie.
- Déplacez le produit à un minimum de 3 m/10 ft de l'endroit où a été fait le plein de carburant avant de démarrer le produit.
- Ne remplissez pas entièrement le réservoir de carburant. La chaleur entraîne la dilatation du carburant. Laissez un espace en haut du réservoir de carburant.

Consignes de sécurité pour l'entretien



AVERTISSEMENT: Lisez les instructions qui suivent avant d'utiliser le produit.

- Les gaz d'échappement du moteur contiennent du monoxyde de carbone, un gaz inodore, toxique et très dangereux. Ne démarrez pas le moteur en intérieur ou dans des espaces fermés.
- Avant de procéder à l'entretien du produit, arrêtez le moteur et débranchez le câble d'allumage de la bougie.
- Utilisez des gants de protection lorsque vous procédez à l'entretien de l'équipement de coupe. La lame est très tranchante et des coupures peuvent survenir facilement.
- Les accessoires et les modifications apportées au produit qui ne sont pas approuvés par le fabricant peuvent causer des blessures très graves, voire mortelles. Ne modifiez pas le produit. Utilisez toujours des accessoires qui sont approuvés par le fabricant.
- Si l'entretien n'est pas effectué correctement et régulièrement, le risque de blessures et d'endommagement du produit augmente.
- Effectuez uniquement les tâches d'entretien décrites dans le présent manuel d'utilisation. Toutes les autres tâches d'entretien doivent être effectuées par un Husqvarna atelier spécialisé agréé.
- Demandez à un Husqvarna atelier spécialisé d'effectuer régulièrement l'entretien du produit.
- Remplacez les pièces endommagées, usées ou cassées.

Montage

Introduction



AVERTISSEMENT: Avant de monter le produit, vous devez lire et comprendre le chapitre sur la sécurité.



AVERTISSEMENT: Débranchez le câble d'allumage de la bougie avant de monter le produit.

Pour monter la poignée

1. Desserrez les boutons inférieurs sur le côté gauche et sur le côté droit du produit. Assurez-vous que la rondelle en plastique se trouve dans le renforcement situé dans le support de guidon. (Fig. 30)
2. Installez le guidon en le pliant vers l'avant comme indiqué sur l'illustration. (Fig. 31)
 - a) Assurez-vous que la rondelle en plastique se trouve entre le guidon et le support de guidon.
 - b) Fixez le guidon sur le support de guidon.
3. Soulevez le guidon. (Fig. 32)
4. Serrez fermement les boutons. Pour régler la hauteur du guidon, voir *Pour régler la hauteur de la poignée à la page 136*.
5. Placez les câbles dans les supports de câble. Vérifiez que les câbles ne sont pas tordus. Fixez les supports de câble au guidon. (Fig. 33)
6. Utilisez un serre-câble pour fixer les câbles sur le support de guidon. (Fig. 34)

Pour régler la hauteur de la poignée

1. Desserrez les boutons inférieurs.
2. Faites glisser les boutons jusqu'aux extrémités inférieures des rainures sur le côté gauche et le côté droit de la machine. (Fig. 35)
3. Réglez la hauteur du guidon sur l'une des deux positions disponibles.
4. Déplacez les boutons vers le haut, en direction du guidon, jusqu'à ce qu'ils s'arrêtent et qu'un clic se fasse entendre. (Fig. 36)
5. Serrez fermement les boutons.

Pour régler le produit en position de transport

1. Retirez le collecteur d'herbe.
2. Desserrez les boutons inférieurs.
3. Faites glisser les boutons jusqu'aux extrémités inférieures des rainures sur le côté gauche et le côté droit de la machine. (Fig. 35)

4. Pliez la poignée vers l'avant. (Fig. 37)

Pour régler le produit en position de fonctionnement

1. Soulevez le guidon. (Fig. 32)
2. Déplacez les boutons vers le haut, en direction du guidon, jusqu'à ce qu'ils s'arrêtent et qu'un clic se fasse entendre. (Fig. 36)
3. Serrez fermement les boutons.

Montage du collecteur d'herbe

1. Fixez le châssis du collecteur d'herbe au sac à herbe, la partie rigide du sac étant sur la partie inférieure. Maintenez la poignée du châssis sur le dessus du sac à herbe. (Fig. 38)
2. Fixez la partie inférieure du châssis du collecteur d'herbe sur le bas du sac à herbe. (Fig. 39)
 - a) Enfoncez le châssis du collecteur d'herbe dans la rainure. Commencez par le côté droit, comme indiqué sur l'illustration, et déplacez-vous progressivement vers la gauche.
3. En cas de difficulté à fixer le châssis du collecteur d'herbe, tapez doucement dessus à l'aide d'un maillet en caoutchouc. Tapez sur le châssis du collecteur d'herbe entre les renforts. (Fig. 40)
4. Fixez le sac à herbe au châssis du collecteur d'herbe à l'aide des clips. (Fig. 41)
5. Soulevez le capot arrière.
6. Attachez le collecteur d'herbe au bord supérieur du châssis.
7. Placez la partie inférieure du collecteur d'herbe dans le canal d'éjection de l'herbe. (Fig. 42)

Pour assembler l'obturateur du broyeur (accessoire)

1. Relevez le capot arrière et retirez le collecteur d'herbe.
2. Placez l'obturateur du broyeur dans le canal d'éjection. (Fig. 43)
3. Remplacez la lame par la lame de broyeur fournie dans le kit de broyage. Reportez-vous à la section *Pour remplacer la lame à la page 139*.

Pour couper l'herbe sans collecteur d'herbe ou obturateur du broyeur fixé

- Relevez le capot arrière et retirez le collecteur d'herbe.
- Si un obturateur et une lame de broyeur sont montés, déposez-les.
- Fermez le couvercle arrière avant d'utiliser le produit.

Lorsque vous faites fonctionner le produit, l'herbe coupée est évacuée sous le couvercle arrière.

Utilisation

Introduction



AVERTISSEMENT: Avant d'utiliser le produit, vous devez lire et comprendre le chapitre sur la sécurité.

Husqvarna Connect

Husqvarna Connect est une application gratuite pour votre appareil mobile. L'application Husqvarna Connect offre des fonctions étendues à votre produit Husqvarna :

- Informations produit détaillées.
- Informations et aide sur les pièces et l'entretien du produit.

Pour commencer à utiliser Husqvarna Connect

1. Téléchargez l'application Husqvarna Connect sur votre appareil mobile.
2. Enregistrez-vous sur l'application Husqvarna Connect.
3. Suivez les instructions de l'application Husqvarna Connect pour vous connecter et enregistrer le produit.

Avant d'utiliser le produit

1. Lisez attentivement le manuel d'utilisation et assurez-vous de bien comprendre les instructions.
2. Examinez l'équipement de coupe pour vous assurer qu'il est bien fixé et réglé. Consultez la section *Pour inspecter l'équipement de coupe à la page 139*.
3. Remplissez le réservoir de carburant. Consultez la section *Pour remplir le réservoir de carburant à la page 137*.
4. Remplissez le réservoir d'huile et contrôlez le niveau d'huile. Consultez la section *Pour contrôler le niveau d'huile à la page 140*.

Pour remplir le réservoir de carburant

Si cela est possible, utilisez de l'essence d'alkyle/écologique. Si vous ne pouvez pas vous procurer de l'essence d'alkyle/écologique, utilisez l'essence sans plomb de bonne qualité ou d'essence dont le taux d'octane n'est pas inférieur à 90.



REMARQUE: N'utilisez pas d'essence avec un indice d'octane inférieur à 90 RON (87 AKI). Cela peut endommager le produit.

1. Ouvrez lentement le couvercle du réservoir de carburant pour relâcher la pression.

2. Remplissez lentement le réservoir à l'aide d'un bidon de carburant. Si vous renversez le carburant, essuyez-le à l'aide d'un chiffon et laissez le carburant restant sécher. (Fig. 44)
3. Essuyez le pourtour du bouchon du réservoir de carburant.
4. Serrez complètement le bouchon du réservoir de carburant. Si le bouchon du réservoir de carburant n'est pas serré, il y a un risque d'incendie.
5. Déplacez le produit à un minimum de 3 m (10 ft) de l'endroit où a été fait le plein de carburant avant de démarrer le produit.

Pour régler la hauteur de coupe

La hauteur de coupe peut être réglée sur 6 niveaux.

1. Poussez la commande de réglage de la hauteur de coupe en direction de la roue, puis vers l'arrière pour augmenter la hauteur de coupe.
2. Poussez la commande de réglage de la hauteur de coupe en direction de la roue, puis vers l'avant pour diminuer la hauteur de coupe. (Fig. 45)



REMARQUE: La hauteur de coupe ne doit pas être réglée trop bas. Les lames peuvent toucher le sol si la surface de la pelouse n'est pas plane.

Démarrage du produit (LC 551VQ)

1. Assurez-vous que le câble d'allumage est branché sur la bougie.
2. Restez derrière le produit.
3. Tenez la poignée de freinage du moteur contre le guidon. (Fig. 46)
4. Tenez la poignée du câble du démarreur de votre main droite.
5. Tirez lentement sur le câble du démarreur jusqu'à ce que vous sentiez une certaine résistance.
6. Tirez avec force pour démarrer le moteur.

Pour démarrer le produit (LC 551SP, LC 551VBP)

1. Assurez-vous que le câble d'allumage est branché sur la bougie.
2. Restez derrière le produit.
3. Réglez la commande d'accélération.
 - a) Si le moteur est froid, placez la commande d'accélération en position de démarrage. (Fig. 47)

- b) Si le moteur est chaud, ne placez pas la commande d'accélération en position de démarrage.
4. Sur le modèle LC 551SP, maintenez la poignée de frein moteur contre le guidon. (Fig. 46)
 5. Tenez la poignée du câble du démarreur de votre main droite.
 6. Tirez lentement sur le câble du démarreur jusqu'à ce que vous sentiez une certaine résistance.
 7. Tirez avec force pour démarrer le moteur.
 8. Placer la commande d'accélération sur plein régime.
 9. Sur le modèle LC 551VBP :
 - a) Relâchez l'antidémarrage ;
 - b) Poussez la commande de frein de la lame en direction du guidon pour actionner les lames.

Pour appliquer l'entraînement aux roues

- Tirez la manette de commande en direction du guidon. (Fig. 48)
- Pour le modèle LC 551VQ et le modèle LC 551VBP : Réglez la vitesse d'entraînement à l'aide de la commande de vitesse sur le côté gauche du guidon. Poussez la commande de vitesse vers l'avant pour augmenter la vitesse et vers l'arrière pour réduire la vitesse. (Fig. 49)
- Avant de tirer le produit vers l'arrière, désengagez l'entraînement et poussez le produit d'environ 10 cm vers l'avant.
- Relâchez la manette de commande pour désengager l'entraînement, lorsque vous vous rendez à proximité d'un obstacle par exemple.

Pour arrêter le produit (LC 551SP, LC 551VQ)

- Pour arrêter uniquement l'entraînement, relâchez la manette de commande.
- Pour arrêter le moteur, relâchez la poignée de freinage du moteur.

Arrêt du produit (LC 551VBP)

- Pour arrêter uniquement l'entraînement, relâchez la manette de commande.
- Pour arrêter le moteur, placez la commande d'accélération en position d'arrêt.

Pour obtenir de bons résultats

- Utilisez toujours une lame correctement affûtée. Une lame émoussée produit un résultat irrégulier et l'herbe jaunira à la surface de la coupe. De plus, une lame affûtée consomme moins d'énergie qu'une lame émoussée.
- Ne coupez pas plus d'un tiers de la longueur de l'herbe. Coupez d'abord avec une hauteur de coupe élevée. Examinez le résultat et abaissez la hauteur de coupe à un niveau convenable. Si l'herbe est très longue, tondez lentement, et deux fois si nécessaire.
- Tondez toujours dans différentes directions afin d'éviter de faire des lignes dans la pelouse.
- Assurez-vous que le carter de coupe reste propre. L'accumulation d'herbe et de saleté sur la face intérieure du carter de coupe peut réduire la qualité du résultat de coupe. Reportez-vous à la section *Pour nettoyer la surface interne du capot de coupe à la page 139.*

Entretien

Introduction



AVERTISSEMENT: Avant d'effectuer des travaux d'entretien, vous devez lire et comprendre le chapitre sur la sécurité.

Une formation spécifique est nécessaire pour effectuer tous les travaux d'entretien et de réparation du produit. Nous garantissons qu'il vous est possible d'obtenir des services de réparation et d'entretien effectués par des professionnels. Si votre revendeur n'est pas un atelier spécialisé, demandez-lui des informations à propos de l'atelier spécialisé le plus proche.

Pour des informations plus détaillées, reportez-vous à www.husqvarna.com.

Calendrier d'entretien



REMARQUE: Assurez-vous que le filtre à air est orienté vers le haut et qu'il n'est pas contre le sol lorsque vous inclinez le produit. Risque de détérioration du moteur.

Les intervalles d'entretien sont calculés selon une utilisation quotidienne du produit. Les intervalles sont différents si le produit n'est pas utilisé tous les jours.

Pour les travaux d'entretien suivis d'un astérisque (*), reportez-vous aux instructions de la section *Dispositifs de sécurité sur le produit à la page 134.*

Entretien	Tous les jours	Toutes les semaines	Mensuel
Procédez à une inspection générale	X		
Inspectez le niveau d'huile	X		
Nettoyez le produit	X		
Inspectez l'équipement de coupe	X		
Inspectez le capot de coupe *	X		
Inspectez la poignée de frein moteur * LC 551SP, LC 551VQ	X		
Inspectez la commande de frein de la lame * LC 551VBP	X		
Inspectez le silencieux *		X	
Inspectez la bougie		X	
Changez l'huile (la première fois après 5 h d'utilisation, puis toutes les 50 h d'utilisation et chaque année)			X
Nettoyez ou remplacez le filtre à air			X
Inspectez le système de carburant			X

Pour faire une inspection générale

- Assurez-vous que l'ensemble des vis et des écrous du produit sont correctement serrés.

Pour nettoyer le produit

- Nettoyez les éléments en plastique avec un chiffon sec et propre.
- N'utilisez pas d'eau pour nettoyer le produit. L'eau pourrait pénétrer dans la batterie ou le moteur et provoquer un court-circuit ou endommager le produit.
- N'utilisez pas de nettoyeur haute pression pour le nettoyage du produit.
- Ne jetez pas d'eau directement sur le moteur.
- Utilisez une brosse pour enlever les feuilles, l'herbe et la saleté.
- Retirez le carter d'embrayage, et utilisez une brosse pour retirer l'herbe sous le carter d'embrayage. (LC 551VBP)

Pour nettoyer la surface interne du capot de coupe

- Videz le réservoir de carburant.
- Placez le produit sur le côté, silencieux vers le bas.



REMARQUE: Si le produit est posé avec le filtre à air vers le bas, le moteur peut être endommagé.

- Lavez au jet la surface intérieure du capot de coupe.

Pour inspecter l'équipement de coupe



AVERTISSEMENT: Afin d'éviter tout démarrage accidentel, débranchez le câble d'allumage de la bougie.



AVERTISSEMENT: Utilisez des gants de protection lorsque vous procédez à l'entretien de l'équipement de coupe. La lame est très tranchante et des coupures peuvent survenir facilement.

- Inspectez l'équipement de coupe afin de détecter d'éventuels dommages ou fissures. Remplacez toujours un équipement de coupe endommagé.
- Inspectez la lame pour voir si elle est endommagée ou émoussée.

Remarque: Il est nécessaire d'équilibrer la lame après l'avoir affûtée. Demandez à un centre d'entretien d'affûter, de remplacer et d'équilibrer la lame. Si vous heurtez un obstacle qui entraîne l'arrêt du produit, remplacez la lame endommagée. Demandez au centre d'entretien d'évaluer si la lame peut être affûtée ou si elle doit être remplacée.

Pour remplacer la lame

- Bloquez la lame avec une cale en bois. (Fig. 50)
- Retirez le boulon de lame.
- Retirez la lame.

4. Examinez le support de lame et le boulon de lame pour voir s'ils sont endommagés.
5. Examinez l'arbre du moteur pour vous assurer qu'il n'est pas tordu.
6. Lorsque vous fixez la nouvelle lame, orientez l'angle de la lame en direction du carter de coupe. (Fig. 51)
7. Assurez-vous que la lame est alignée par rapport au centre de l'arbre du moteur.
8. Bloquez la lame avec une cale en bois. (Fig. 52)
9. Fixez la lame.
 - a) Sur le modèle LC 551SP, LC 551VQ, fixez la rondelle élastique, puis serrez le boulon et la rondelle à un couple de 70 Nm.
 - b) Sur le modèle LC 551VBP, serrez les boulons à un couple de 50 Nm. (Fig. 53)
10. Déplacez la lame à la main et vérifiez qu'elle tourne librement.



AVERTISSEMENT: Utilisez des gants de travail épais. La lame est très tranchante et des blessures peuvent survenir facilement.

11. Démarrez le produit pour tester la lame. Si la lame n'est pas correctement fixée, le produit vibre ou le résultat de coupe n'est pas satisfaisant.

Pour contrôler le niveau d'huile



REMARQUE: Un niveau d'huile trop bas peut endommager le moteur. Contrôlez le niveau d'huile avant de démarrer le produit.

1. Placez le produit sur un sol plat.
2. Retirez le bouchon du réservoir d'huile et la jauge qui y est attachée.
3. Nettoyez l'huile sur la jauge.
4. Placez la jauge complètement dans le réservoir d'huile. Serrez le bouchon du réservoir d'huile pour vous assurer de connaître le véritable niveau d'huile.
5. Enlevez la jauge.
6. Inspectez le niveau d'huile sur la jauge.
7. Si le niveau d'huile est bas, faites l'appoint d'huile moteur et contrôlez à nouveau le niveau d'huile.

(Fig. 54)

Remarque: Utilisez un entonnoir pour éviter tout déversement.

Pour remplacer l'huile moteur



AVERTISSEMENT: L'huile moteur est très chaude juste après l'arrêt du moteur. Laissez le moteur refroidir avant de vidanger l'huile moteur. Si vous renversez de l'huile moteur sur votre peau, nettoyez avec de l'eau et du savon.

(Fig. 55)

1. Débranchez le câble d'allumage de la bougie.
2. Retirez le bouchon du réservoir d'huile.
3. Vidangez l'huile moteur.
 - a) Pour les modèles équipés d'un bouchon de vidange d'huile : Placez un récipient sous le bouchon de vidange d'huile pour recueillir l'huile moteur.
 - b) Pour les modèles sans bouchon de vidange d'huile ou s'il n'est pas possible de placer un récipient sous ce bouchon : Utilisez une pompe à huile (accessoire) pour vidanger l'huile moteur du réservoir d'huile.
4. Faites le plein avec de l'huile moteur neuve du type recommandé à la section *Caractéristiques techniques* à la page 142.
5. Contrôlez le niveau d'huile. Reportez-vous à la section *Pour contrôler le niveau d'huile* à la page 140.

Pour vidanger et faire l'appoint en huile moteur

- Pour plus d'informations concernant la vidange et l'appoint en huile moteur, reportez-vous au manuel d'utilisation du moteur.

Pour nettoyer et remplacer le filtre à air (LC 5551SP, LC 551VBP)

- Pour plus d'informations concernant le nettoyage et le remplacement du filtre à air, reportez-vous au manuel d'utilisation du moteur.

Pour déposer et installer le filtre à air (LC 551VQ)



AVERTISSEMENT: utilisez des gants de protection.

1. Poussez les attaches sur le couvercle du filtre à air.
2. Déposez avec précaution le couvercle du filtre à air (A) du moteur.
3. Retirez le filtre à air (B) et le filtre en mousse (C). (Fig. 56)
4. Vérifiez l'état du filtre à air. Remplacez le filtre à air s'il est endommagé.

- Nettoyez et examinez le filtre à air. Reportez-vous à la section *Nettoyage du filtre à air (LC 551VQ)* à la page 141.
- Effectuez l'installation en suivant les étapes dans l'ordre inverse.

Nettoyage du filtre à air (LC 551VQ)



REMARQUE: Ne faites pas tourner le moteur sans filtre à air fixé ou si le filtre à air est sale.



REMARQUE: Remplacez le filtre à air s'il est impossible de le nettoyer correctement ou s'il est endommagé. Un filtre à air défectueux endommage le moteur.

- Appuyez sur les languettes de verrouillage (A), retirez le couvercle du filtre à air (B) et retirez le filtre à air (C). (Fig. 57)
- Cognez le filtre à air contre une surface dure ou soufflez de l'air comprimé à travers le filtre à air du côté propre de ce dernier.



REMARQUE: N'utilisez pas de brosse pour éliminer la saleté, car cela pousse la saleté dans le filtre à air.

- Nettoyez le support du filtre à air (D) et le couvercle de filtre à air avec un chiffon humide.



REMARQUE: Assurez-vous qu'aucune saleté ne pénètre dans le conduit d'air (E).

- Installez le filtre à air. Veillez à assurer une bonne étanchéité entre le filtre à air et le support du filtre.
- Installez le couvercle du filtre à air avec les languettes inférieures en premier.

Pour vérifier la bougie



REMARQUE: Utilisez toujours le type de bougie recommandé. Un type de bougie inadéquat peut endommager le produit.

- Inspectez la bougie si le moteur manque de puissance, n'est pas facile à démarrer ou ne fonctionne pas correctement lorsqu'il tourne au régime de ralenti.
- Afin de réduire le risque de matériaux indésirables présents sur les électrodes de la bougie, procédez comme suit :
 - Assurez-vous que le régime de ralenti est correctement réglé.
 - Assurez-vous que le mélange de carburant est correct.
 - Assurez-vous que le filtre à air est propre.
- Si la bougie est encrassée, nettoyez-la et vérifiez que l'écartement des électrodes est correct ; reportez-vous à la section *Caractéristiques techniques à la page 142*. (Fig. 58)
- Remplacez la bougie si nécessaire.

Pour examiner le système de carburant

- Examinez le couvercle du réservoir de carburant et le joint du couvercle du réservoir de carburant pour vous assurer qu'ils ne sont pas endommagés.
- Examinez le tuyau à carburant pour vous assurer qu'il n'y a pas de fuite. Si le tuyau à carburant est endommagé, demandez à un atelier spécialisé de le remplacer.

Pour régler la commande de vitesse et la commande d'accélération

La commande de vitesse permet de modifier la vitesse du moteur. La commande d'accélération permet de modifier la vitesse du moteur.



REMARQUE: Ne réglez pas la commande de vitesse lorsque le moteur tourne.

- Pour régler la vitesse d'entraînement, tournez la vis de réglage (A) pour régler la longueur de la gaine du câble. Raccourcissez la gaine du câble pour augmenter la vitesse d'entraînement.
- Si la position de démarrage ou la position d'arrêt ne peut être engagée, réglez la vitesse du moteur. Tournez la vis de réglage (B). (Fig. 59)

Transport, entreposage et mise au rebut

Transport et stockage

- Pour le stocker et transporter le produit et le carburant, assurez-vous qu'il n'y a pas de fuite ou de vapeurs. Les étincelles ou les flammes nues produites par exemple par des appareils électriques ou chaudières peuvent provoquer un incendie.
- Utilisez uniquement des récipients homologués pour le transport et le stockage de carburant.
- Videz le réservoir de carburant avant de remiser le produit pendant une longue période. Mettez le carburant au rebut dans une déchetterie appropriée.
- Sécurisez le produit lors de son transport pour éviter tout dommage ou accident.
- Conservez le produit dans un endroit verrouillé afin que des enfants ou personnes qui ne sont pas autorisées à l'utiliser ne puissent pas y avoir accès.
- Conservez le produit dans un endroit sec et à l'abri du gel.

Mise au rebut

- Respectez les consignes locales de recyclage et la réglementation en vigueur.
- Mettez au rebut tous les produits chimiques tels que l'huile moteur ou le carburant à un centre d'entretien ou à une déchetterie appropriée.

- Lorsque vous n'utilisez plus le produit, renvoyez-le à un Husqvarna concessionnaire ou mettez-le au rebut dans une déchetterie.

Caractéristiques techniques

	LC 551SP	LC 551VBP	LC 551VQ
Moteur			
Marque	Kawasaki	Kawasaki	Husqvarna
Modèle	FJ180V	FJ180V	HS 166AP
Type de moteur	Un cylindre, 4 temps, refroidissement par air forcé, OHV	Un cylindre, 4 temps, refroidissement par air forcé, OHV	Un cylindre, 4 temps, refroidissement par air forcé, OHV
Cylindrée, cm ³	179	179	166
Vitesse, tr/min	2 800	2 800	2 800
Puissance nominale du moteur, kW ⁴⁶	2,9	2,9	2,7
Système d'allumage			
Bougie	NGK BPR5ES	NGK BPR5ES	Husqvarna HQT-7
Écartement des électrodes, mm	0,6-0,8	0,6-0,8	0,7-0,8
Système de lubrification et de carburant			
Type de lubrification du moteur	Pression avec filtre à huile	Pression avec filtre à huile	Éclaboussures
Capacité du réservoir de carburant, l	1,9	1,9	1,5
Capacité du réservoir d'huile, l	0,7	0,7	0,5
Huile moteur ⁴⁷	Husqvarna SAE 30	Husqvarna SAE 30	Husqvarna SAE 30
Poids			
Réservoirs vides, en kg	48,5	52,5	51,0
Émissions sonores ⁴⁸			
Niveau de puissance acoustique mesuré, dB (A)	97	96	97

⁴⁶ La puissance nominale du moteur indiquée est la puissance nette moyenne (à un régime spécifié) d'un moteur de production classique pour le modèle de moteur mesurée selon la norme SAE J1349/ISO1585. Les moteurs produits à grande échelle peuvent s'écarter de cette valeur. La puissance de sortie effective du moteur installé sur le produit fini dépend de la vitesse de fonctionnement, des conditions environnementales et d'autres valeurs.

⁴⁷ Si l'huile SAE-30 est utilisée à une température inférieure à +5 °C, elle risque de ne pas lubrifier suffisamment le moteur. Cela peut endommager le moteur. Reportez-vous à la section *Pour remplacer l'huile moteur à la page 140* afin de connaître l'huile appropriée pour les basses températures.

⁴⁸ Émissions sonores dans l'environnement mesurées comme puissance acoustique (L_{WA}) selon la directive européenne CE 2000/14/CE.

	LC 551SP	LC 551VBP	LC 551VQ
Niveau de puissance acoustique garanti L_{WA} , dB (A)	98	98	98
Niveaux sonores ⁴⁹			
Niveau de pression sonore à l'oreille de l'utilisateur, dB(A)	87	84	86
Niveaux de vibrations ⁵⁰			
Poignée, m/s ²	4,5	4,5	3,2
Équipement de coupe			
Hauteur de coupe, mm	26-74	26-74	26-74
Largeur de coupe, mm	510	510	510
Lame	Collecte	Collecte	Collecte
Référence	5875908-10	5821494-10	5875908-10
Capacité du bac de ramassage, l	65	65	65
Entraînement			
Vitesse, en km/h	4,1	2,8-5	2,8-5

⁴⁹ Niveau de pression sonore conforme à la norme ISO 5395. Les données reportées pour le niveau de pression sonore montrent une dispersion statistique typique (déviations standard) de 1,2 dB (A).

⁵⁰ Niveau de vibrations conformément à la norme ISO 5395. Les données reportées pour le niveau de vibrations montrent une dispersion statistique typique (déviations standard) de 0,2 m/s².

Déclaration de conformité

Déclaration de conformité UE

Nous, **Husqvarna AB**, SE-561 82 Huskvarna, Suède,
tél : +46-36-146500, déclarons sous notre entière
responsabilité que le produit :

Description	Tondeuse
Marque	Husqvarna
Type/Modèle	LC 551SP, LC 551VBP, LC 551VQ
Identification	Les numéros de série à partir de 2022 et ultérieurs

est entièrement conforme à la réglementation et aux
directives de l'UE suivantes :

Réglementation	Description
2006/42/EC	« relative aux machines »
2014/30/UE	« relative à la compatibilité électromagnétique »
2000/14/EC	« relative aux émissions sonores dans l'environnement »
2011/65/UE	« relative à la limitation de l'utilisation de certaines substances dangereuses au sein d'équipements électriques et électroniques »

et que les normes et/ou les spécifications techniques
suivantes sont appliquées : EN ISO 5395-1:2013/
A1:2018, EN ISO 5395-2:2013/A1:2016/A2:2017, EN
ISO 14982:2009, EN IEC 63000:2018

Organisme notifié : 0404, RISE SMP Svensk
Maskinprovning AB, Box 4053, SE-904 03 Umeå,
Sweden a certifié être conforme à la Directive du
Conseil 2000/14/CE, procédure d'évaluation de la
conformité : Annexe VI.

Pour toute information relative aux émissions sonores,
voir *Caractéristiques techniques à la page 142*.

Huskvarna, 2022-09-29



Claes Losdal, Directeur du développement/Articles de
jardinage Husqvarna AB

Responsable de la documentation technique



Sadržaj

Uvod.....	145	Održavanje.....	151
Sigurnost.....	146	Prijevoz, spremanje i zbrinjavanje.....	154
Sastavljanje.....	149	Tehnički podaci.....	154
Rad.....	150	Izjava o sukladnosti.....	157

Uvod

Opis proizvoda

Proizvod je rotacijska kosilica za travu kojom upravlja pješak. Trava se skuplja u sakupljaču trave. Uklonite sakupljač trave kako biste omogućili izbacivanje trave na stražnjoj strani. Postavite komplet za sječku (dodatna oprema) kako biste travu rezali u gnojivo.

Pregled proizvoda

(Sl. 1)

1. Ručica kočnice motora
2. Ručica/upravljač
3. Regulacija brzine
4. Poluga pogona
5. Drška užeta pokretača
6. Sakupljač trave
7. Podešavanje visine ručice
8. Kontrola visine rezanja

Pregled proizvoda

(Sl. 2)

1. Ručica/upravljač
2. Komanda kočnice noža (LC 551VBP)
3. Regulator brzine / regulator gasa (LC 551VBP)
4. Poluga pogona (LC 551VBP)
5. Blokada pokretanja (LC 551VBP)
6. Drška užeta pokretača
7. Sakupljač trave
8. Podešavanje visine ručice
9. Kontrola visine rezanja
10. Šipka za mjerenje ulja / spremnik za ulje
11. Pokrov noža
12. Prigušivač
13. Svječića
14. Filtar zraka
15. Spremnik za gorivo
16. Stražnji poklopac
17. Ručica kočnice motora (LC 551SP)
18. Regulator gasa (LC 551SP)
19. Poluga pogona (LC 551SP)
20. Korisnički priručnik

Namjena

Proizvod upotrebljavajte za rezanje trave. Proizvod nemojte upotrebljavati za druge zadatke.

9. Šipka za mjerenje ulja / spremnik za ulje
10. Pokrov noža
11. Prigušivač
12. Svječića
13. Filtar zraka
14. Spremnik za gorivo
15. Stražnji poklopac
16. Korisnički priručnik

Simboli na proizvodu

- (Sl. 3) Neoprezna ili nepravilna upotreba može uzrokovati ozljede ili smrt rukovatelja ili promatrača.
- (Sl. 4) Pažljivo pročitajte korisnički priručnik i prije upotrebe dobro usvojite sadržaj.
- (Sl. 5) Osobe i životinje držite na sigurnoj udaljenosti od radnog područja.
- (Sl. 6) Prije popravaka ili održavanja zaustavite motor i uklonite kabel za paljenje.
- (Sl. 7) Ulje
- (Sl. 8) Brzo
- (Sl. 9) Polako
- (Sl. 10) Zaustavljanje motora
- (Sl. 11) Čok

- (Sl. 12) Spojka noža
- (Sl. 13) Pazite na izbačene predmete i odbijanja.
- (Sl. 14) Ruke i stopala držite podalje od rotirajućeg noža.
- (Sl. 15) Ruke i stopala držite podalje od rotirajućih dijelova.
- (Sl. 16) Ovaj je proizvod u suglasnosti s važećim direktivama EZ-a.
- (Sl. 17) Ovaj je proizvod u skladu s važećim direktivama UK-a.
- (Sl. 18) Najlepnicna emisije buke u okolišu u skladu s direktivama i propisima EU i UK te propisom Novog Južnog Walesa „Zaštita od radova u okolišu (kontrola buke) iz 2017“. Zajamčena razina jačine zvuka proizvoda naznačena je u *Tehnički podaci na stranici 154* i na najlepnicni
- (Sl. 19) Ispušni plinovi iz motora sadrže ugljikov monoksid, vrlo opasan otrovni plin bez mirisa. Proizvod nemojte pogoniti u zatvorenom ili uskom prostoru.
- (Sl. 20) Proizvod nemojte pogoniti u zatvorenom ili uskom prostoru.
- (Sl. 21) Opasnost od eksplozije.
- (Sl. 22) Vruće površine

- (Sl. 23) Motor se isporučuje bez ulja.
- (Sl. 24) Prije upotrebe proizvod napunite uljem.
- (Sl. 25) Nemojte upotrebljavati gorivo E85.
- (Sl. 26) Proizvod držite podalje od otvorenog plamena.
- (Sl. 27) Kôd koji se može skenirati.

Napomena: Drugi simboli/naljepnice na proizvodu odnose se na pravne zahtjeve za pojedina tržišta.

Standard za emisije Euro V.



UPOZORENJE: Petljanjem po motoru gubite pravo na odobrenje EU-a ovog proizvoda.

Pouzdanost proizvoda

Sukladno zakonima o pouzdanosti proizvoda nismo odgovorni za oštećenja uzrokovana našim proizvodima ako je:

- proizvod nepravilno popravljen
- proizvod popravljen dijelovima koje nije proizveo proizvođač ili nemaju odobrenje proizvođača
- proizvod ima dodatnu opremu koje nije proizveo proizvođač ili nemaju odobrenje proizvođača
- proizvod nije popravljen u odobrenom servisnom centru ili kod ovlaštene osobe.

Sigurnost

Sigurnosne definicije

Upozorenjima, oprezima i napomenama naglašavaju se posebno važni dijelovi priručnika.



UPOZORENJE: Koristi se kada nepoštivanje uputa iz priručnika može uzrokovati smrt ili ozljede rukovatelja ili promatrača.



OPREZ: Koristi se kada nepoštivanje uputa iz priručnika može uzrokovati oštećenje proizvoda ili drugih materijala u neposrednoj blizini.

Napomena: Koristi se prikaz neophodnih dodatnih informacija za zadanu situaciju.

Opće sigurnosne upute



UPOZORENJE: Prije korištenja proizvoda pročitajte upozoravajuće upute u nastavku.

- Proizvod je opasan ako ga koristite nepravilno ili ako niste oprezni. Nepoštivanje sigurnosnih uputa može uzrokovati ozljede ili smrt.
- Proizvod tijekom rada proizvodi elektromagnetsko polje. To polje u određenim okolnostima može ometati aktivne ili pasivne medicinske implantate. Za smanjenje opasnosti od smrtonosne ozljede osobama s medicinskim implantatima prije korištenja uređaja preporučujemo obraćanje liječniku i proizvođaču medicinskog implantata.
- Uvijek budite pažljivi i razumni. Ako u posebnim situacijama niste sigurni u način upotrebe stroja,

prije nastavka stanite i obratite se svom distributeru tvrtke Husqvarna.

- Imajte na umu kako se rukovatelj smatra odgovornim za nezgode koje uključuju druge osobe ili njihovo vlasništvo.
- Proizvod održavajte čistim. Znakovi i naljepnice moraju biti jasno čitljivi.
- Osobama dopustite upotrebu proizvoda samo ako su pročitali i usvojili sadržaj uputa za rukovanje.
- Djeci nemojte dopustiti korištenje proizvoda.
- Djecu držite podalje od područja rada. Cijelo vrijeme mora biti prisutna odgovorna odrasla osoba.
- Osobama koje nisu upoznate s uputama nemojte dopustiti korištenje proizvoda.
- Osobu smanjenih fizičkih ili mentalnih sposobnosti obavezno nadzirite tijekom uporabe proizvoda. Cijelo vrijeme mora biti prisutna odgovorna odrasla osoba.
- Proizvod nemojte koristiti kada ste umorni, bolesni ili pod utjecajem alkohola, droge ili lijekova. To negativno utječe na vaš vid, pažnju, koordinaciju i prosudbu.
- Nemojte upotrebljavati neispravn proizvod.
- Nemojte izmjenjivati proizvod ili ga upotrebljavati ako postoji mogućnost da je izmijenjen.
- Nemojte mijenjati prilagodbe za kontrolu brzine motora.

Sigurnost na radnom mjestu



UPOZORENJE: Prije korištenja proizvoda pročitajte upozoravajuće upute u nastavku.

- Prije upotrebe proizvoda iz radnog područja uklonite sve predmete poput grana, prutova i kamenja.
- Objekti koji udare u reznu opremu mogu biti izbačeni te uzrokovati ozljede ili oštećenja. Promatrače i životinje držite na sigurnoj udaljenosti od proizvoda.
- Proizvod nikada nemojte upotrebljavati u lošim vremenskim uvjetima kao što su magla, kiša, jak vjetar, intenzivna hladnoća i pri opasnosti od grmljavinskog nevremena. Upotreba proizvoda po lošem vremenu ili na vlažnim ili mokrim lokacijama je zamorna. Pri lošem vremenu mogu nastati opasni uvjeti, primjerice skliske površine.
- Pazite na osobe, predmete i situacije koje mogu onemogućiti siguran rad proizvoda.
- Pazite na prepreke poput korijenja, kamenja, prutova, jama i jaraka. Visoka trava može sakrivati prepreke.
- Košenje trave na nagibima može biti opasno. Proizvod nemojte upotrebljavati na tlu s nagibom većim od 15°.
- Proizvod upotrebljavajte poprečno preko nagiba. Nemojte se kretati prema gore i dolje.
- Oprezno prilazite skrivenim kutovima i predmetima koji onemogućavaju jasan pregled.

Sigurnost pri radu



UPOZORENJE: Prije korištenja proizvoda pročitajte upozoravajuće upute u nastavku.

- Proizvod upotrebljavajte samo za košenje travnjaka. Upotreba za druge zadatke nije dopuštena.
- Upotrebljavajte osobnu zaštitnu opremu. Pogledajte *Oprema za osobnu zaštitu na stranici 148*.
- Provjerite znate li brzo zaustaviti motor u slučaju nužde.
- Nikada nemojte pokretati motor u zatvorenom prostoru ili u blizini zapaljivog materijala. Ispušne pare motora vruće su i mogu sadržavati vruće iskre koje mogu uzrokovati požar.
- Proizvod upotrebljavajte samo ako su nož i svi štitnici pravilno postavljeni. Nepravilno postavljen nož može se otpustiti i uzrokovati osobne ozljede.
- Pazite da nožem ne udarate u predmete poput kamenja ili korijenja. Time možete oštetiti nož i saviti vratilo motora. Savijena osovina uzrokuje snažne vibracije i vrlo visoku opasnost od otpuštanja noža.
- Ako nožem udarite u predmet ili osjetite vibracije, odmah zaustavite proizvod. Odspojite kabel za paljenje od svjećice. Pregledajte je li proizvod oštećen. Popravite oštećenja ili popravak prepustite ovlaštenom serviseru.
- Ručicu kočnice motora nikada trajno nemojte pričvrstiti za ručku kada je motor u pogonu.
- Proizvod postavite na stabilnu, ravnu površinu i pokrenite ga. Noževi ne smiju udarati u tlo ili druge predmete.
- Tijekom rukovanja proizvodom obavezno budite iza njega.
- Tijekom rukovanja proizvodom svi kotači trebaju biti na tlu, a 2 ruke na ručki. Ruke i stopala držite podalje od rotirajućih noževa.
- Proizvod nemojte naginjati kada je motor pokrenut.
- Budite pažljivi pri povlačenju proizvoda unatrag.
- Proizvod nikada nemojte podizati kada je motor pokrenut. Ako proizvod morate podići, prvo zaustavite motor i odspojite kabel za paljenje od svjećice.
- Tijekom rada s proizvodom nemojte hodati unatrag.
- Zaustavite motor prilikom prelaska preko velikih površina bez trave, primjerice šljunčanih, kamenih i asfaltnih staza.
- Nemojte trčati s proizvodom kada je motor pokrenut. Obavezno hodajte tijekom rada s proizvodom.
- Prije promjene visine rezanja zaustavite motor. Nemojte provoditi prilagodbe s pokrenutim motorom.
- Proizvod s pokrenutim motorom ne ispuštajte iz vida. Zaustavite motor i provjerite je li rezna oprema zaustavljena.

Sigurnosne upute za rad

Oprema za osobnu zaštitu



UPOZORENJE: Prije uporabe proizvoda pročitajte upozoravajuće upute u nastavku.

- Oprema za osobnu zaštitu ne može u potpunosti spriječiti ozljede, no smanjuje stupanj ozljede u slučaju nezgode. Pri odabiru odgovarajuće opreme zatražite pomoć ovlaštenog trgovca.
- Upotrebljavajte zaštitu sluha ako je razina buka veća od 85 dB.
- Nosite čizme otporne na klizanje ili cipele za teške uvjete rada. Nemojte nositi otvorene cipele ili biti bos.
- Nosite teške, duge hlače.
- Prema potrebi nosite zaštitne rukavice, primjerice prilikom pričvršćivanja, pregleda ili čišćenja rezne opreme.

Sigurnosni uređaji za proizvod



UPOZORENJE: Prije upotrebe proizvoda pročitajte upozoravajuće upute u nastavku.

- Proizvod nemojte upotrebljavati sa sigurnosnim uređajima koji su oštećeni ili nisu ispravni.
- Redovito pregledavajte sigurnosne uređaje. Ako su sigurnosni uređaji oštećeni ili nisu ispravni, obratite se ovlaštenom serviseru tvrtke Husqvarna.
- Sigurnosne uređaje nije dopušteno izmjenjivati.

Provjera reznog poklopca

Rezni poklopac smanjuje vibriranje proizvoda te opasnost od ozljede nožem.

- Provjerite ima li na pokrovu noža oštećenja, primjerice napuklina.

Provjera ručke kočnice motora (LC 551SP, LC 551VQ)

Ručicom kočnice motora zaustavljate motor. Motor se zaustavlja po otpuštanju ručice kočnice motora.

- Pokrenite motor i potom otpustite ručicu kočnice motora. Ako se motor ne zaustavi za 3 sekunde, podesite kočnicu motora kod servisera tvrtke Husqvarna. (Sl. 28)

Provjera komande kočnice noža i blokade paljenja (LC 551VBP)

Komandom kočnice noža zaustavlja se samo nož, ne i motor. Motor se zaustavlja po otpuštanju komande kočnice motora.

1. Pokrenite motor.

2. Komandu kočnice noža gurnite prema upravljaču. Blokada pokretanja zaustavlja pomak.
3. Istisnite blokadu pokretanja.
4. Komandu kočnice noža gurnite prema upravljaču. Nož se počinje okretati.
5. Otpustite komandu kočnice noža. Ako se nož ne zaustavi za tri sekunde, podesite kočnicu noža kod ovlaštenog servisera tvrtke Husqvarna. (Sl. 29)
6. Provjerite vraća li se blokada paljenja natrag u početni položaj.

Prigušivač

Prigušivač razinu buke održava na minimumu i ispušne plinove usmjerava dalje od rukovatelja.

Nemojte upotrebljavati proizvod bez prigušivača ili s oštećenim prigušivačem. Neispravni prigušivač povećava razinu buke i opasnost od požara.



UPOZORENJE: Prigušivač se tijekom rada, nakon rada te kada motor pognite u praznom hodu jako zagrije. Budite oprezni u blizini zapaljivih materijal i/ili para kako biste spriječili požar.

Provjera prigušivača

- Redovito provjeravajte je li prigušivač pravilno pričvršćen i neoštećen.

Sigurnost pri rukovanju s gorivom



UPOZORENJE: Prije korištenja proizvoda pročitajte upozoravajuće upute u nastavku.

- Nemojte pokretati proizvod ako u njemu ima goriva ili motornog ulja. Uklonite neželjeno gorivo/ulje i pričekajte na sušenje proizvoda.
- Ako gorivo prolijete po odjeći, odmah ju zamijenite.
- Gorivu nemojte dopustiti kontakt s tijelom jer može uzrokovati ozljede. Ako dođe do kontakta goriva s tijelom, sapunom i vodom isperite gorivo.
- Nemojte pokretati proizvod ako motor propušta. Redovito pregledavajte ima li na motoru propuštanja.
- Budite pažljivo s gorivom. Gorivo je zapaljivo, a pare su eksplozivne i mogu uzrokovati ozljede i smrt.
- Nemojte udisati pare goriva, one mogu uzrokovati ozljede. Osigurajte dovoljan protok zraka.
- U blizini goriva ili motora nemojte pušiti.
- U blizini goriva ili motora nemojte stavljati vruće predmete.
- Nemojte ulijevati gorivo kada je motor uključen.
- Prije ulijevanja goriva provjerite je li motor hladan.
- Prije ulijevanja goriva polako otvorite čep spremnika goriva i pažljivo ispustite tlak.
- Nemojte ulijevati gorivo u motor u zatvorenom prostoru. Nedovoljan protok zraka može uzrokovati

ozljede ili smrt zbog gušenja ili trovanja ugljičnim monoksidom.

- Potpuno zategnite čep spremnika za gorivo. Ako čep spremnika za gorivo nije zategnut, postoji opasnost od požara.
- Prije pokretanja proizvod odmaknite najmanje 3 m / 10' od mjesta punjenja spremnika.
- Spremnik za gorivo nemojte puniti do kraja. Zagrijavanje uzrokuje širenje goriva. Ostavite mjesta pri vrhu spremnika za gorivo.

Sigurnosne upute za održavanje



UPOZORENJE: Prije korištenja proizvoda pročitajte upozoravajuće upute u nastavku.

- Ispušni plinovi iz motora sadrže ugljikov monoksid, vrlo opasan otrovni plin bez mirisa. Proizvod nemojte pokretati u zatvorenom ili uskom prostoru.

- Prije održavanja proizvoda zaustavite motor i odspojite kabel za paljenje od svjeće.
- Tijekom održavanja rezne opreme nosite zaštitne rukavice. Nož je vrlo oštar i lako dolazi do posjekotina.
- Dodatna oprema i izmjene proizvoda bez odobrenja proizvođača mogu uzrokovati ozbiljne ozljede ili smrt. Nemojte mijenjati proizvod. Obavezno upotrebljavajte dijelove s odobrenjem proizvođača.
- Ako se održavanje ne provodi ispravno i redovno, povećava se opasnost od ozljede i oštećenja proizvoda.
- Održavanje provodite isključivo prema uputama iz ovog priručnika za vlasnika. Sva druga servisiranja mora provoditi ovlašteni serviser tvrtke Husqvarna.
- Redovno servisirajte proizvod kod ovlaštenog servisera tvrtke Husqvarna.
- Zamijenite oštećene, istrošene ili polomljene dijelove.

Sastavljanje

Uvod



UPOZORENJE: Prije sastavljanja proizvoda morate pročitati i usvojiti poglavlje o sigurnosti.



UPOZORENJE: Prije sastavljanja proizvoda sa svjeće uklonite kabel svjeće.

Sastavljanje ručice

1. Otpustite donje kotačiće na lijevoj i desnoj strani proizvoda. Provjerite je li plastična podloška u udubini na nosaču ručke. (Sl. 30)
2. Ugradite ručku preklopljenu prema naprijed kako je prikazano na ilustraciji. (Sl. 31)
 - a) Provjerite je li plastična podloška između ručke i nosača ručke.
 - b) Pričvrstite ručku za nosač ručke.
3. Podignite ručku. (Sl. 32)
4. Kotačiće zategnite do kraja. Za podešavanje visine ručke pogledajte *Prilagođavanje visine ručke na stranici 149*.
5. Postavite žice u nosače kabela. Žice ne smiju biti izvijene. Postavite nosače kabela na ručku. (Sl. 33)
6. Kabelskom spojnicom pričvrstite kabele za nosač kabela. (Sl. 34)

Prilagođavanje visine ručke

1. Otpustite donje vijke.

2. Pomaknite kotačiće u donji dio utora na lijevoj i desnoj strani proizvoda. (Sl. 35)
3. Postavite visinu ručke u jedan od dva dostupna položaja.
4. Pomičite kotačiće gore u smjeru upravljača dok se ne zaustave uz škljocaj. (Sl. 36)
5. Kotačiće zategnite do kraja.

Postavljanje kosilice u položaj za prijevoz

1. Uklonite sakupljač trave.
2. Otpustite donje vijke.
3. Pomaknite kotačiće u donji dio utora na lijevoj i desnoj strani proizvoda. (Sl. 35)
4. Preklopite ručku prema naprijed. (Sl. 37)

Postavljanje proizvoda u položaj za rad

1. Podignite upravljač. (Sl. 32)
2. Pomičite kotačiće gore u smjeru upravljača dok se ne zaustave uz škljocaj. (Sl. 36)
3. Kotačiće zategnite do kraja.

Montaža sakupljača trave

1. Okvir sakupljača trave pričvrstite za vreću za travu tako da kruti dio vreće bude na dnu. Ručka okvira treba biti na vrhu vreće za travu. (Sl. 38)
2. Donji dio okvira sakupljača trave pričvrstite za dno vreće za travu. (Sl. 39)
 - a) Umetnite okvir sakupljača trave u utor. Započnite na desnoj strani, sukladno ilustraciji, i polako se pomičite ulijevo.

3. Ako se okvir sakupljača trave teško postavlja, pažljivo ga udarite gumenim čekićem. Okvir sakupljača trave udarite između pojačanja. (Sl. 40)
4. Vreću za travu kopčama pričvrstite za okvir sakupljača trave. (Sl. 41)
5. Podignite stražnji poklopac.
6. Pričvrstite hvatač trave za gornji rub šasije.
7. Donji dio sakupljača trave umetnite u kanal za izbacivanje trave. (Sl. 42)

Sastavljanje priključka za sječku (dodatna oprema)

1. Podignite stražnji poklopac i uklonite sakupljač trave.
2. Priključak za sječku umetnite u kanal za izbacivanje. (Sl. 43)

3. Zamijenite nož s nožem za sječku isporučenim u kompletu za sječku. Pogledajte *Zamjena noža na stranici 152*.

Košenje trave bez postavljenog sakupljača trave ili priključka za sječku

- Podignite stražnji poklopac i uklonite sakupljač trave.
- Ako su postavljeni priključak za sječku i nož za sječku, uklonite ih.
- Prije upotrebe proizvoda zatvorite stražnji poklopac.

Pri upotrebi proizvoda trava se izbacuje ispod stražnjeg poklopca.

Rad

Uvod



UPOZORENJE: Prije rada s proizvodom morate pročitati i usvojiti poglavlje o sigurnosti.

Husqvarna Connect

Husqvarna Connect besplatna je aplikacija za mobilni uređaj. Aplikacija Husqvarna Connect pruža vam dodatne funkcije za proizvod Husqvarna.

- Opširnije informacije o proizvodu.
- Dodatne informacije i pomoć za dijelove i servisiranje proizvoda.

Početak rada sa Husqvarna Connect

1. Preuzmite aplikaciju Husqvarna Connect na svoj mobilni uređaj.
2. Prijavite se na aplikaciju Husqvarna Connect.
3. Pratite upute u aplikaciji Husqvarna Connect kako biste se spojili i registrirali proizvod.

Prije rada s proizvodom

1. Pažljivo pročitajte korisnički priručnik i prije upotrebe dobro usvojite sadržaj.
2. Pregledajte reznu opremu i uvjerite se da je pravilno pričvršćena i podešena. Pogledajte *Za pregled rezne opreme na stranici 152*.
3. Napunite spremnik goriva. Pogledajte *Ulijevanje goriva na stranici 150*.
4. Napunite spremnik za ulje i provjerite razinu ulja. Pogledajte *Provjera razine ulja na stranici 153*.

Ulijevanje goriva

Ako je dostupno, upotrebljavajte benzin s niskim emisijama/alkilatni benzin. Ako benzin s niskim

emisijama / alkilatni benzin nije dostupan, upotrijebite kvalitetno bezolovno gorivo ili olovno gorivo s oktanskim brojem koji je niži od 90.



OPREZ: Nemojte koristiti benzin s oktanskim brojem manjim od 90 RON (87 AKI). Tako možete oštetiti proizvod.

1. Čep spremnika goriva otvarajte polako kako biste otpustili tlak.
2. Puniti polako pomoću kanticе za gorivo. Ako prolijete gorivo, obrišite ga krpom i pričekajte na sušenje preostalog goriva. (Sl. 44)
3. Očistite područje oko čepa spremnika za gorivo.
4. Potpuno zategnite čep spremnika goriva. Ako čep spremnika goriva nije zategnut, postoji opasnost od požara.
5. Prije pokretanja proizvod odmaknite najmanje 3 m (10') od mjesta punjenja spremnika.

Postavljanje visine rezanja na

Visina rezanja podesiva je na 6 razina.

1. Za povećanje visine rezanja komandu za visinu rezanja pritisnite u smjeru kotača i potom unatrag.
2. Za smanjenje visine rezanja komandu za visinu rezanja pritisnite u smjeru kotača i potom prema naprijed. (Sl. 45)



OPREZ: Visinu rezanja nemojte postaviti prenisko. Noževi mogu udariti u tlo ako površina travnjaka nije ravna.

Pokretanje proizvoda (LC 551VQ)

1. Provjerite je li kabel za paljenje priključen na svječku.

2. Stanite iza proizvoda.
3. Pritisnite ručicu kočnice motora prema upravljaču. (Sl. 46)
4. Ručicu užeta pokretača držite desnom rukom.
5. Polako izvlačite užu pokretača dok ne osjetite otpor.
6. Snažno povucite za pokretanje motora.

Pokretanje proizvoda (LC 551SP, LC 551VBP)

1. Provjerite je li kabel za paljenje priključen na svjećicu.
2. Stanite iza proizvoda.
3. Podesite regulator gasa.
 - a) Ako je motor hladan, regulator gasa postavite u položaj za čok. (Sl. 47)
 - b) Ako je motor topao, regulator gasa nemojte postaviti u položaj za čok.
4. Na modelu LC 551SP ručicu kočnice motora držite uz upravljač. (Sl. 46)
5. Ručicu užeta pokretača držite desnom rukom.
6. Polako izvlačite užu pokretača dok ne osjetite otpor.
7. Snažno povucite za pokretanje motora.
8. Postavite kontrolu gasa na pun gas.
9. Na modelu LC 551VBP:
 - a) Otpustite blokadu pokretanja.
 - b) Gurnite komandu kočnice noža u smjeru upravljača kako biste pokrenuli noževe.

Upotreba pogona na kotačima

- Povucite polugu pogona u smjeru upravljača. (Sl. 48)
- Za model LC 551VQ i model LC 551VBP: Brzinu vožnje podesite regulatorom brzine na lijevoj strani ručke. Regulator brzine pomaknite prema naprijed kako biste povećali brzinu, a unatrag kako biste smanjili brzinu. (Sl. 49)

- Prije povlačenja proizvoda unatrag odspojite pogon i gurnite proizvod prema naprijed za pribl. 10 cm.
- Otpustite polugu pogona kako biste odspojili pogon, primjerice kada se približavate prepreci.

Zaustavljanje proizvoda (LC 551SP, LC 551VQ)

- Kako biste zaustavili samo pogon, otpustite polugu pogona.
- Za zaustavljanje motora otpustite kočnu polugu motora.

Zaustavljanje proizvoda (LC 551VBP)

- Kako biste zaustavili samo pogon, otpustite polugu pogona.
- Za zaustavljanje motora regulator gasa pomaknite u položaj za zaustavljanje.

Za dobar ishod

- Uvijek upotrebljavajte oštar nož. Tup nož daje nepravilne rezultate, a rezana površina trave požuti. Oštar nož također troši manje energije od tupog.
- Nemojte rezati više od 1/3 od duljine trave. Prvo kosite s visoko postavljenom visinom za rezanje. Provjerite rezultat i spustite visinu rezanja na prihvatljivu razinu. Ako je trava vrlo dugačka, vozite polako i po potrebi kosite 2 puta.
- Svaki put kosite u drugom smjeru kako biste spriječili nastanak traka na travnjaku.
- Pokrov noža mora biti čist. Nakupine trave i prljavštine s unutarnje strane pokrova noža mogu umanjiti rezultate rezanja. Pogledajte *Za čišćenje unutarnje površine pokrova noža na stranici 152.*

Održavanje

Uvod



UPOZORENJE: Prije održavanja morate pročitati i usvojiti poglavlje o sigurnosti.

Za sve radove servisiranja i održavanja na proizvodu potrebna je posebna obuka. Jamčimo dostupnost profesionalnih popravaka i servisa. Ako vaš distributer nije serviser, od njega zatražite informacije o najbližem serviseru.

Detaljnije informacije potražite pod www.husqvarna.com.

Raspored održavanja



OPREZ: Pri naginjanju proizvoda filter zraka nemojte nasloniti na tlo nego ga podignite u zrak. Opasnost od oštećenja motora.

Intervali održavanja izračunati su za dnevnu upotrebu proizvoda. Intervali se mijenjaju ako se proizvod ne upotrebljava svakodnevno.

Za održavanja označena s * pogledajte upute u *Sigurnosni uređaji za proizvod na stranici 148.*

Održavanje	Dnevno	Tjedno	Mjesečno
Provedite opći pregled	X		
Provjerite razinu ulja	X		
Čišćenje proizvoda	X		
Pregledajte reznu opremu	X		
Pregledajte pokrov noža *	X		
Pregledajte ručicu kočnice motora * LC 551SP, LC 551VQ	X		
Pregledajte komandu kočnice noža * LC 551VBP	X		
Pregledajte prigušivač *		X	
Pregledajte svjećicu		X	
Zamijenite ulje (prvi put nakon 5 h upotrebe, potom nakon svakih 50 h upotrebe i svake godine)			X
Očistite ili zamijenite filter zraka			X
Pregledajte sustav goriva			X

Za opći pregled

- Provjerite jesu li sve matice i vijci na proizvodu pravilno pritegnuti.

Čišćenje proizvoda

- Plastične dijelove čistite čistom i suhom krpom.
- Proizvod nemojte čistiti vodom. Voda može prodirjeti u bateriju ili motor i uzrokovati kratki spoj ili oštetiti proizvod.
- Za čišćenje proizvoda nemojte koristiti visokotlačni stroj za pranje.
- Nemojte liti vodu izravno na motor.
- Četkom uklonite lišće, travu i onečišćenja.
- Uklonite pokrov spojke i četkom uklonite travu ispod pokrova. (LC 551VBP)

Za čišćenje unutarnje površine pokrova noža

1. Ispraznite spremnik goriva.
2. Položite proizvod na bok s prigušivačem na donjoj strani.



OPREZ: Ako proizvod položite tako da je filter zraka na donjoj strani, možete oštetiti motor.

3. Unutarnju površinu pokrova noža isperite vodom.

Za pregled rezne opreme



UPOZORENJE: Odvojite kabel za paljenje od svjećice kako biste spriječili slučajno pokretanje.



UPOZORENJE: Tijekom održavanja rezne opreme nosite zaštitne rukavice. Nož je vrlo oštar i lako dolazi do posjekotina.

1. Pregledajte ima li na reznoj opremi oštećenja ili pukotina. Oštećenu reznu opremu obavezno zamijenite.
2. Pregledajte nož kako biste ustanovili je li oštećen ili tup.

Napomena: Nakon oštrenja nož je nužno uravnotežiti. Nož naoštrite, zamijenite i uravnotežite u servisnom centru. Ako se pri udaru u prepreku proizvod zaustavi, zamijenite oštećeni nož. Procjenu za oštrenje ili zamjenu noža prepustite servisnom centru.

Zamjena noža

1. Blokirajte nož drvenim blokom. (Sl. 50)
2. Uklonite vijak noža.
3. Uklonite nož.
4. Provjerite jesu li nosač noža i vijak noža neoštećeni.
5. Pregledajte vratilo motora kako biste se uvjerali da je neoštećeno.
6. Pri ugradnji novog noža kutove noža usmjerite u smjeru reznog poklopca. (Sl. 51)
7. Nož mora biti poravnan sa središtem vratila motora.
8. Blokirajte nož drvenim blokom. (Sl. 52)
9. Pričvrstite nož.

- a) Na modelu LC 551SP, LC 551VQ postavite podlošku opruge i zategnite vijak i podlošku na zatezni moment od 70 Nm.
 - b) Na modelu LC 551VBP zategnite vijke na zatezni moment od 50 Nm. (Sl. 53)
10. Ručno povucite nož u krug kako biste provjerili okreće li se slobodno.



UPOZORENJE: Nosite rukavice za teške uvjete rada. Nož je vrlo oštar i lako može uzrokovati ozljede.

11. Pokrenite proizvod kako biste ispitali nož. Ako nož nije ispravno pričvršćen, proizvod vibrira ili ishod košenja nije zadovoljavajuć.

Provjera razine ulja



OPREZ: Preniska razina ulja može uzrokovati oštećenje motora. Prije pokretanja proizvoda provjerite razinu ulja.

1. Postavite proizvod na ravno tlo.
2. Skinite čep spremnika za ulje s pričvršćenom šipkom za mjerenje ulja.
3. Očistite ulje sa šipke za mjerenje razine ulja.
4. Šipku za mjerenje razine ulja u potpunosti vratite u spremnik za ulje. Zategnite poklopac spremnika za ulje kako biste dobili ispravan prikaz razine ulja.
5. Uklonite šipku za mjerenje razine ulja.
6. Provjerite razinu ulja na šipci za mjerenje ulja.
7. Ako je razina ulja niska, napunite motornim uljem i ponovno provjerite razinu ulja.

(Sl. 54)

Napomena: Upotrijebite lijevak za ulje kako biste spriječili prospanje.

Zamjena motornog ulja



UPOZORENJE: Motorno ulje vrlo je vruće neposredno nakon zaustavljanja motora. Prije ispuštanja motornog ulja pričekajte da se ohladi. Ako motorno ulje prolijete po koži, očistite sapunom i vodom.

(Sl. 55)

1. Odvojite kabel za paljenje od svjećice.
2. Uklonite čep spremnika za ulje.
3. Ispraznite motorno ulje.
 - a) Za modele s čepom za ispuštanje ulja: Ispod čepa za ispuštanje ulja stavite posudu za skupljanje motornog ulja.

- b) Za modele bez čepa za ispuštanje ulja ili ako nije moguće postaviti posudu ispod čepa za ispuštanje ulja: Uz pomoć pumpe za ulje (dodatna oprema) ispraznite motorno ulje iz spremnika za ulje.

4. Napunite novim motornim uljem preporučenim u *Tehnički podaci na stranici 154*.
5. Provjerite razinu ulja. Pogledajte *Provjera razine ulja na stranici 153*.

Nadolijevanje i zamjena motornog ulja

- Informacije o načinu nadolijevanja i zamjene motornog ulja potražite u korisničkom priručniku za motor.

Čišćenje i zamjena filtra zraka (LC 5551SP, LC 551VBP)

- Informacije o čišćenju i zamjeni filtra zraka potražite u korisničkom priručniku za motor.

Uklanjanje i ugradnja filtra zraka (LC 551VQ)



UPOZORENJE: Nosite zaštitne rukavice.

1. Otpustite kopčice na poklopcu filtra zraka.
2. S motora pažljivo uklonite poklopac filtra zraka (A).
3. Izvadite filtra zraka (B) i spužvasti filter (C). (Sl. 56)
4. Provjerite je filter zraka neoštećen. Oštećeni filter zraka zamijenite.
5. Očistite i pregledajte filter zraka. Pogledajte *Čišćenje filtra zraka (LC 551VQ) na stranici 153*.
6. Ugradite obrnutim redoslijedom.

Čišćenje filtra zraka (LC 551VQ)



OPREZ: Nemojte pogoniti motor bez filtra zraka ili sa zaprljanim filtrom zraka.



OPREZ: Ako filter zraka ne možete potpuno očistiti ili ako je oštećen, zamijenite ga. Neispravan filter zraka uzrokuje oštećenje motora.

1. Pritisnite jezičke zasuna (A), skinite poklopac filtra zraka (B) i izvadite filter zraka (C). (Sl. 57)
2. Filtrom zraka udarajte o tvrdu površinu ili ga ispušite komprimiranim zrakom sa čiste strane.



OPREZ: Za odstranjivanje prljavštine ne koristite se četkom jer to samo gura prljavštinu dublje u filter zraka.

3. Vlažnom krpom očistite držač filtra zraka (D) i poklopac filtra zraka.



OPREZ: Pazite da u zračni kanal (E) ne dospiju onečišćenja.

4. Ugradite filter zraka. Provjerite je li filter zraka u potpunosti brtvi uz nosač filtra zraka.
5. Ugradite poklopac filtra zraka prvo postavljajući donje jezičke.

Pregled svjeće



OPREZ: Uvijek koristite preporučenu vrstu svjeće. Neodgovarajuća vrsta svjeće može oštetiti proizvod.

- Ako motor nema snage, teško se pokreće ili ne radi ispravno u praznom hodu, pregledajte svjeću.
- Za smanjenje opasnosti od nepoželjnog materijala na elektrodama svjeće pratite sljedeće upute:
 - a) Provjerite je li broj okretaja pri praznom hodu pravilno podešen.
 - b) Provjerite ispravnost mješavine goriva.
 - c) Provjerite je li filter zraka čist.
- Ako je svjećica prljava, očistite je i provjerite ispravnost zazora elektroda, pogledajte *Tehnički podaci na stranici 154*. (Sl. 58)

- Ako je potrebno, zamijenite svjećicu.

Pregled sustav goriva

- Pregledajte čep spremnika za gorivo i brtvu čepa spremnika za gorivo i uvjerite se kako su neoštećeni.
- Pregledajte crijevo goriva kako biste se uvjerali da nema propuštanja. Ako je crijevo goriva oštećeno, zamijenite ga kod servisera.

Podešavanje regulatora brzine i regulatora gasa

Regulatorom brzine podešavate brzinu vožnje.
Regulatorom gasa podešavate broj okretaja motora.



OPREZ: Regulator brzine nemojte podešavati uz uključen motor.

1. Za podešavanje brzine vožnje okrenite vijak za podešavanje (A) kako biste podesili duljinu omotača sajle. Skratite omotač sajle kako biste povećali brzinu kretanja.
2. Ako nije moguće primijeniti položaj za zaustavljanje ili čok, podesite broj okretaja motora. Okrećite vijak za podešavanje (B). (Sl. 59)

Prijevoz, spremanje i zbrinjavanje

Prijevoz i skladištenje

- Za prijevoz i skladištenje proizvoda i goriva uvjerite se kako nema propuštanja ili isparavanja. Iskre ili otvoren plamen, primjerice od električnih uređaja ili bojlera, mogu uzrokovati požar.
- Za prijevoz i skladištenje goriva obavezno upotrebljavajte odobrene spremnike.
- Prije dugotrajnog skladištenja proizvoda ispraznite spremnik za gorivo. Zbrinite gorivo na prikladnoj lokaciji za zbrinjavanje
- Čvrsto osigurajte proizvod za prijevoz kako biste spriječili oštećenja i nezgode.
- Proizvod čuvajte u zaključanom prostoru kako biste onemogućili pristup djeci ili osobama bez odobrenja.

- Proizvod skladištite u suhom prostoru bez mraza.

Odlaganje

- Poštujte lokalne zahtjeve za reciklažu i važeće propise.
- Sve kemikalije, poput motornog ulja ili goriva, zbrinite u servisnom centru ili na prikladnoj lokaciji za zbrinjavanje.
- Ako proizvod više ne upotrebljavate, pošaljite ga distributeru tvrtke Husqvarna ili ga zbrinite na lokaciji za reciklažu.

Tehnički podaci

	LC 551SP	LC 551VBP	LC 551VQ
Motor			
Marka	Kawasaki	Kawasaki	Husqvarna
Model	FJ180V	FJ180V	HS 166AP

	LC 551SP	LC 551VBP	LC 551VQ
Vrsta motora	Jednocilindrični, četverotaktni, prisilno atmosfersko hlađenje, OHV	Jednocilindrični, četverotaktni, prisilno atmosfersko hlađenje, OHV	Jednocilindrični, četverotaktni, prisilno atmosfersko hlađenje, OHV
Zapremnina, cm ³	179	179	166
Brzina, o/min	2800	2800	2800
Nazivna izlazna snaga motora, kW ⁵¹	2,9	2,9	2,7
Sustav paljenja			
Svjećica	NGK BPR5ES	NGK BPR5ES	Husqvarna HQT-7
Razmak elektroda, mm	0,6 – 0,8	0,6 – 0,8	0,7 – 0,8
Sustav za gorivo i podmazivanje			
Vrsta podmazivanja motora	Tlak s filtrom ulja	Tlak s filtrom ulja	Raspršivanje
Zapremnina spremnika za gorivo, l	1,9	1,9	1,5
Zapremnina spremnika ulja, l	0,7	0,7	0,5
Motorno ulje ⁵²	Husqvarna SAE 30	Husqvarna SAE 30	Husqvarna SAE 30
Težina			
S praznim spremnicima, kg	48,5	52,5	51,0
Emisije buke⁵³			
Razina jačine zvuka, mjerena u dB (A)	97	96	97
Razina jačine zvuka, zajamčena L _{WA} dB (A)	98	98	98
Jačina zvuka⁵⁴			
Razine tlaka zvuka na uhu rukovatelja, dB (A)	87	84	86
Razine vibracije⁵⁵			
Ručka, m/s ²	4,5	4,5	3,2
Rezna oprema			
Visina rezanja, mm	26 – 74	26 – 74	26 – 74
Širina rezanja, mm	510	510	510
Oštrica	Skupljanje	Skupljanje	Skupljanje

⁵¹ Navedena nazivna snaga motora prosječna je neto izlazna snaga (pri navedenom broju okretaja u minuti) tipičnog serijskog motora za određeni model mjerena prema normi SAE J1349/ISO1585. Vrijednost se može razlikovati za motore za masovnu proizvodnju. Stvarna izlazna snaga motora ugrađenog u krajnji proizvod ovisi o radnoj brzini, uvjetima u okolišu i drugim vrijednostima.

⁵² Ako se ulje SAE-30 primjenjuje na temperaturama nižim od 5 °C, postoji opasnost od nedovoljnog podmazivanja motora. To može uzrokovati oštećenje motora. Pogledajte *Zamjena motornog ulja na stranici 153* za odgovarajuće ulje za niske temperature.

⁵³ Emisije buke u okoliš izmjerene kao jačina zvuka (L_{WA}) u skladu s Direktivom EZ 2000/14/EC.

⁵⁴ Razina tlaka zvuka u skladu s ISO 5395. Navedeni podaci za razinu pritiska zvuka uključuju tipično statističko raspršenje (standardno odstupanje) od 1,2 dB (A).

⁵⁵ Razina vibracija u skladu s ISO 5395. Podaci o razini vibracije pokazuju tipičnu statističku disperziju (standardnu devijaciju) od 0,2 m/s².

	LC 551SP	LC 551VBP	LC 551VQ
Kataloški broj	5875908-10	5821494-10	5875908-10
Zapremnina sakupljača trave, litre	65	65	65
Pogon			
Brzina u km/h	4,1	2,8 – 5	2,8 – 5

Izjava o sukladnosti

EU izjava o sukladnosti

Mi, **Husqvarna AB**, SE-561 82 Huskvarna, Švedska, tel.:
+46-36-146500, pod punom odgovornošću izjavljujemo
da proizvod:

Opis	Kosilica
Marka	Husqvarna
Vrsta/model	LC 551SP, LC 551VBP, LC 551VQ
Identifikacija	Serijski brojevi iz 2022 i noviji

u potpunosti su sukladni sljedećim EU direktivama i
propisima:

Propis	Opis
2006/42/EC	„o strojevima“
2014/30/EU	„o elektromagnetskoj kompatibilnosti“
2000/14/EC	„koja se odnosi na emisije buke u okoliš“
2011/65/EU	„o ograničenoj upotrebi određenih opasnih tvari u električnoj i elektroničkoj opremi“

i primjenjuju se sljedeće norme i/ili tehničke
specifikacije: EN ISO 5395-1:2013/A1:2018, EN ISO
5395-2:2013/A1:2016/A2:2017, EN ISO 14982:2009, EN
IEC 63000:2018

Prijavljeno tijelo: 0404, RISE SMP Svensk
Maskinprovning AB, Box 4053, SE-904 03 Umeå,
Sweden, certificiralo je sukladnost s Direktivom Vijeća
2000/14/EC, postupak kontrole kvalitete: Dodatak VI.

Informacije o emisiji buke potražite u odjeljku *Tehnički
podaci na stranici 154.*

Huskvarna, 2022-09-29



Claes Losdal, razvojni menadžer / proizvodi za vrtove,
Husqvarna AB

Osoba odgovorna za tehničku dokumentaciju



TARTALOMJEGYZÉK

Bevezető.....	158	Karbantartás.....	165
Biztonság.....	159	Szállítás, tárolás és ártalmatlanítás.....	168
Összeszerelés.....	162	Műszaki adatok.....	168
Üzemeltetés.....	163	Megfelelőségi nyilatkozat.....	171

Bevezető

Termékleírás

A termék egy gyalog kísért forgókéses fűnyíró. A fű egy fűgyűjtőben kerül gyűjtésre. Vegye ki a fűgyűjtőt a fű hátsó üritéséhez. Csatlakoztasson egy porhanyító készletet (tartozék) a fű műtrágyázásra való vágásához.

A termék áttekintése

(ábra 1)

1. Fékkar
2. Fogantyú
3. Sebességszabályozó
4. Kerékhajtás kapcsoló kar
5. Indítószinór fogantyúja
6. Fűgyűjtő
7. Magasságszabályozás
8. Vágásimagasság-szabályozó

A termék áttekintése

(ábra 2)

1. Fogantyú
2. Késfékszabályozó (LC 551VBP)
3. Fordulatszám-szabályozó/gázadagoló (LC 551VBP)
4. Kerékhajtás kapcsoló kar (LC 551VBP)
5. Indításgátló (LC 551VBP)
6. Indítószinór fogantyúja
7. Fűgyűjtő
8. Magasságszabályozás
9. Vágásimagasság-szabályozó
10. Nívópálca/olajtartály
11. Vágóburkolat
12. Kipufogódob
13. Gyújtógyertya
14. Légszűrő
15. Üzemanyagtartály
16. Hátsó burkolat
17. Fékkar (LC 551SP)
18. Gázadagoló (LC 551SP)
19. Kerékhajtás kapcsoló kar (LC 551SP)
20. Kezelői kézikönyv

Rendeltetésszerű használat

A termék fűnyírásra szolgál. Ne használja a terméket egyéb feladatokra.

9. Nívópálca/olajtartály
10. Vágóburkolat
11. Kipufogódob
12. Gyújtógyertya
13. Légszűrő
14. Üzemanyagtartály
15. Hátsó burkolat
16. Kezelői kézikönyv

A terméken található jelzések

- (ábra 3) A gondatlan vagy helytelen használat a kezelő vagy a közelben állók sérülését vagy halálát okozhatja.
- (ábra 4) Olvassa el figyelmesen a használati utasítást, és győződjön meg arról, hogy megértette azt, mielőtt a terméket használatba veszi.
- (ábra 5) A személyeket és állatokat tartsa biztonságos távolságban a munkaterülettől.
- (ábra 6) Javítás vagy karbantartás előtt állítsa le a motort, és vegye le a gyújtáskábelét.
- (ábra 7) Olaj
- (ábra 8) Gyors
- (ábra 9) Lassú
- (ábra 10) Motor leállítás

- (ábra 11) Szívató
- (ábra 12) Kés tengelykapcsoló
- (ábra 13) Legyen óvatos a kivetett és visszapattanó tárgyakkal.
- (ábra 14) Tartsa távol kezét és lábát a forgó késektől.
- (ábra 15) Tartsa távol kezét és lábát a forgó alkatrészekről.
- (ábra 16) Ez a termék megfelel a vonatkozó EU irányelveknek.
- (ábra 17) A termék megfelel a vonatkozó egyesült királyságbeli irányelveknek.
- (ábra 18) Az EU és az Egyesült Királyság irányelveinek és jogszabályainak, és New South Wales „Környezetben történő munkavégzés szabályozása (zajszabályozás), 2017” irányelvének megfelelő környezeti zajkibocsátási címke. A termék garantált hangteljesítményszintjére vonatkozó adatok megtalálhatók az alábbi részen: *Műszaki adatok 168. oldalon* és a címkén
- (ábra 19) A motorból származó kipufogógázok szén-monoxidot tartalmaznak, amely szagtalan, mérgező, rendkívül veszélyes gáz. Ne működtesse a járművet beltérben vagy zárt helyen.
- (ábra 20) Ne működtesse a járművet beltérben vagy zárt helyen.
- (ábra 21) Robbanásveszély.
- (ábra 22) Forró felület
- (ábra 23) A motor olaj nélkül kerül kiszállításra.
- (ábra 24) A termék használata előtt tölts fel a motort olajjal.
- (ábra 25) Ne használjon E85-ös üzemanyagot.
- (ábra 26) A termék nyílt lángtól távol tartandó.
- (ábra 27) Beolvasható kód.

Megjegyzés: A terméken található egyéb szimbólumok/matricák az adott piacra vonatkozó jogi követelményekre vonatkoznak.

Euro V. kibocsátási norma



FIGYELMEZTETÉS: A motor módosítása érvényteleníti a termékre vonatkozó európai uniós típusjóváahagyást.

Termékszavatosság

A termékszavatosságra vonatkozó jogszabályok értelmében nem vagyunk felelősek a termékeink által okozott károkért az alábbi esetekben:

- a termék javítását helytelenül végezték;
- a termék javítása nem a gyártótól származó vagy általa jóváhagyott alkatrészekkel történt;
- a terméket nem a gyártótól származó vagy általa jóváhagyott kiegészítővel szerelték fel;
- a termék javítását nem hivatalos szakszerviz vagy jóváhagyott egyéb szerviz végezte.

Biztonság

Biztonsági meghatározások

A figyelmeztetések, óvintézkedések és megjegyzések a használati utasítás kiemelten fontos részeire hívják fel a figyelmet.



FIGYELMEZTETÉS: Akkor használatos, ha a kézikönyv utasításainak be nem tartása esetén fennáll a kezelő vagy a közelben tartózkodók sérülésének vagy halálának veszélye.



VIGYÁZAT: Akkor használatos, ha a kézikönyv utasításainak be nem tartása

esetén fennáll a vagyoni kár, illetve a termék vagy a környező terület károsodásának veszélye.

Megjegyzés: További információt biztosít az adott helyzetben szükséges tennivalókról.

Általános biztonsági utasítások



FIGYELMEZTETÉS: A termék használata előtt olvassa el az alábbi figyelmeztetéseket.

- Ez a termék veszélyes, ha helytelenül használja, vagy ha nem vigyáz. A biztonsági utasítások be nem tartása sérüléssel vagy halállal járhat.
- A termék működés közben elektromágneses mezőt hoz létre. Ez bizonyos körülmények esetén hatással lehet az aktív vagy passzív orvosi implantátumokra. A súlyos vagy halálos sérülés kockázatának csökkentése érdekében azt javasoljuk, hogy az orvosi implantátumot használó személyek a termék alkalmazása előtt kérjék ki orvosuk vagy az orvosi implantátum gyártójának tanácsát.
- Mindig megfontoltan és előrelátóan cselekedjen. Ha nem biztos benne, hogyan kell a terméket speciális helyzetben üzemeltetni, akkor hagyja abba a tevékenységet, és beszéljen a Husqvarna kereskedőjével a folytatás előtt.
- Ne feledje, hogy a kezelő felelős a másokat és a mások tulajdonát érő balesetekért is.
- Tartsa tisztán a terméket. Ügyeljen arra, hogy a jelek és címkék jól olvashatóak legyenek.
- Ne engedje, hogy használják a terméket, amíg nem gondoskodott róla, hogy elolvassák és megértsék a használati utasítás tartalmát.
- A terméket gyermekek nem használhatják.
- Tartsa távol a gyermekeket a munkavégzési területtől. Egy felelős felnőttnek mindig jelen kell lennie.
- Ne használja a terméket olyan személy, aki nem ismeri a kezelési utasítást.
- Csökkent fizikai vagy szellemi képességekkel rendelkező személy csak felügyelet mellett használhatja a terméket. Egy felelős felnőttnek mindig jelen kell lennie.
- Ne használja a terméket, ha fáradt, beteg, illetve alkohol, drog vagy gyógyszer hatása alatt áll. Ez negatív hatással van a látására, az éberségére, a koordinációjára és az ítélőképességére.
- Ne használja a terméket, ha hibás.
- Ne változtassa meg a terméket, vagy ne használja, ha feltehetőleg valaki más változtatásokat hajtott végre rajta.
- Ne módosítson a motorfordulatszám-szabályozás beállításán.

A munkaterület biztonsága



FIGYELMEZTETÉS: A termék használata előtt olvassa el az alábbi figyelmeztetéseket.

- A termék használata előtt távolítsa el a különböző tárgyakat, például ágakat, gallyakat és köveket a munkaterületről.
- A vágószerszereknek ütköző tárgyak elrepülve személyek vagy tárgyak sérülését okozhatják. A közelben állókat és állatokat tartsa biztonságos távolságban a terméktől.
- Ne használja a terméket rossz időben, például ködben, esőben, erős szélben, nagy hidegben,

víllamlás veszélyes esetén. A termék rossz időjárási körülmények között vagy nyirkos, nedves helyeken történő használata fásasztó. A rossz időjárás veszélyes körülményeket, például csúszós felületeket okozhat.

- Ügyeljen az olyan személyekre, tárgyakra és helyzetekre, amelyek akadályozzák a termék biztonságos üzemeltetését.
- Ügyeljen az olyan akadályokra, mint a gyökerek, kövek, gallyak, gödrök és árkok. A magas fű akadályokat rejtethet.
- A lejtőkön levő fű nyírása veszélyes lehet. Ne használja a terméket 15 foknál meredekebb lejtőn.
- Az emelkedőknél/lejtőknél mindig oldalirányban működtesse a terméket. Ne haladjon felfelé vagy lefelé.
- Legyen körültekintő, ha olyan sarkok és tárgyak közelébe ér, amelyek gátolják a tiszta kilátást.

Munkabiztonság



FIGYELMEZTETÉS: A termék használata előtt olvassa el az alábbi figyelmeztetéseket.

- Ezt a terméket kizárólag fűves pázsitok nyírására használja. A termék más feladatokra történő használata nem megengedett.
- Használjon személyi védőfelszerelést. Lásd: *Személyi védőfelszerelés 161. oldalon.*
- Mindenképpen legyen tisztában azzal, hogy veszélyhelyzet esetén hogyan kell gyorsan leállítani a motort.
- Soha ne indítsa el a motort zárt térben vagy gyúlékony anyag közelében. A motorból kijutó kipufogó füstök forrók és szikrákat tartalmazhatnak, amelyek tüzet okozhatnak.
- Ne használja a készüléket, hacsak a kés és az összes borítás nincs megfelelően rögzítve. A nem megfelelően rögzített kés kilazulhat, és személyi sérülést okozhat.
- Ügyeljen arra, hogy a kés ne ütközzön olyan tárgyakba, mint például kövek és gyökerek. Ez kárt tehet a késben, és meghajlíthatja a motor tengelyét. A meghajlott tengely erős rezgést okoz, és így nagyon nagy a kockázata annak, hogy a kés meglazul.
- Ha a kés valamilyen tárgynak ütközik vagy rezegni kezd, azonnal állítsa le a terméket. Húzza ki a gyújtáskábel a gyújtógyertyából. Ellenőrizze, hogy a termék sérülésmentes-e. Javítsa meg a sérüléseket, vagy végeztesse el a szakszervizzel a javításokat.
- Amikor a motor működésben van, soha ne rögzítse tartósan a fékkart a fogantyúhoz.
- Helyezze a terméket stabil, vízszintes felületre, és kapcsolja be. Gondoskodjon arról, hogy a kés ne ütközzön se a talajba, se egyéb tárgyakba.
- Mindig maradjon a termék mögött, amikor működteti.

- A termék üzemeltetése során minden kerék legyen a talajon, és tartsa két kézzel a fogantyút. Tartsa távol kezét és lábát a forgó késektől.
- Ne döntse meg a terméket, ha a motor jár.
- Legyen óvatos, amikor hátrafelé húzza a terméket.
- Soha ne emelje fel a terméket, ha a motor jár. Ha fel kell emelnie a terméket, előbb kapcsolja ki a motort, és válassza le a gyújtásvezetékét a gyújtógyertyáról.
- Ne sétáljon hátrafelé a termék működtetése során.
- Állítsa le a motort, ha olyan területeken halad át, ahol nincs fű, például kavicsos, kövezett és aszfaltozott járdák.
- Ne fusson a termékkel, ha a motor jár. Mindig sétáljon a termék működtetése során.
- Mielőtt megváltoztatná a vágási magasságot, állítsa le a motort. Soha ne végezzen beállításokat, amikor a motor jár.
- Soha ne hagyja a terméket felügyelet nélkül járó motor esetén. Állítsa le a motort és győződjön meg arról, hogy a vágószerkezet nem forog.

Biztonsági utasítások az üzemeltetéshez

Személyi védőfelszerelés



FIGYELMEZTETÉS: A termék használata előtt olvassa el az alábbi figyelmeztetéseket.

- A személyi védőfelszerelés nem küszöböli ki teljes mértékben a sérülés kockázatát, de csökkenti a sérülés mértékét, ha bekövetkezik a baleset. A megfelelő felszerelés kiválasztásában kérje a kereskedő segítségét.
- 85 dB-nél magasabb zajszint esetén használjon hallásvédőt.
- Használjon nagy teherbírású, csúszásmentes bakancsot vagy cipőt. Ne használja nyitott cipőben vagy mezítláb a terméket.
- Viseljen vastag, hosszú szárú nadrágot.
- Viseljen védőkesztyűt, például a vágószerkezet felhelyezésekor, ellenőrzésekor vagy tisztításakor.

Biztonsági eszközök a terméken



FIGYELMEZTETÉS: A termék használata előtt olvassa el az alábbi figyelmeztetéseket.

- Ne használja a terméket sérült vagy nem megfelelően működő biztonsági eszközökkel.
- Rendszeresen ellenőrizze a biztonsági eszközöket. Ha a biztonsági eszközök sérültek vagy nem működnek megfelelően, forduljon a Husqvarna szakszervizhez.
- Ne módosítsd a biztonsági eszközöket.

A vágóburkolat ellenőrzése

A vágóburkolat csökkenti a termék rezgését és a kés okozta sérülések kockázatát.

- Vizsgálja meg a vágóburkolatot, hogy nincs rajta sérülés, például repedés.

A fékkar ellenőrzése (LC 551SP, LC 551VQ)

A fékkar a motor leállítására szolgál. Ha elengedi a fékkart, a motor leáll.

- Indítsa be a motort, majd engedje el a fékkart. Ha a motor 3 másodpercen belül nem áll le, állítsa be egy hivatalos Husqvarna szakszervizben a motorféket. (ábra 28)

A késfékszabályozó és az indításgátló ellenőrzése (LC 551VBP)

A késfékszabályozó csak a kést állítja le, a motort nem. A késfékszabályozó elengedésekor a kés leáll.

1. Indítsa be a motort.
2. Nyomja a késfékszabályozót a fogantyú irányába. Az indításgátló megakadályozza a mozgást.
3. Nyomja kifelé az indításgátlót.
4. Nyomja a késfékszabályozót a fogantyú irányába. A kés forogni kezd.
5. Engedje el a késfékszabályozót. Ha a kés 3 másodpercen belül nem áll le, állítsa be a késféket egy hivatalos Husqvarna szervizműhelyben. (ábra 29)
6. Győződjön meg arról, hogy az indításgátló visszatér-e az eredeti helyzetébe.

Kipufogódob

A kipufogódob minimálisra csökkenti a zajszintet, és elvezeti a kipufogógázokat a kezelő közeléből.

Hiányzó vagy hibás kipufogódob esetén ne használja a terméket. A hibás kipufogódob növeli a zajszintet és a tűzveszélyt.



FIGYELMEZTETÉS:

A kipufogódob erősen felhevül használat közben és után, illetve, amikor a motor alapjáraton működik. Legyen óvatos gyúlékony anyagok és/vagy gőzök közelében a tűzveszély elkerülése érdekében.

A hangfogó ellenőrzése

- Rendszeresen ellenőrizze a kipufogódob megfelelő rögzítését és épségét.

Üzemanyaggal kapcsolatos biztonság



FIGYELMEZTETÉS: A termék használata előtt olvassa el az alábbi figyelmeztetéseket.

- Ne indítsa be a terméket, ha üzemanyag vagy motorolaj került rá. Távolítsa el a nem kívánt üzemanyagot/motorolajat és hagyja megszáradni a terméket.
- Ha a kiömlött üzemanyag a ruhájára csöppent, öltözzön át azonnal.
- Ügyeljen arra, hogy ne kerüljön üzemanyag a testére, mert az sérülést okozhat. Ha üzemanyag került a testére, távolítsa el szappannal és vízzel.
- Ne indítsa be a motort, ha szivárog a motor. Vizsgálja meg rendszeresen a motort szivárgás szempontjából.
- Bánjon óvatosan az üzemanyaggal. Az üzemanyag gyúlékony, a gőzei robbanásveszélyesek, ezért súlyos, akár végzetes sérülést is okozhat.
- Ne lélegezze be az üzemanyag gőzeit, egészségkárosodást okozhatnak. Gondoskodjon megfelelő légáramlásról.
- Az üzemanyag vagy a motor közelében ne dohányozzon.
- Az üzemanyag vagy a motor közelébe ne tegyen forró tárgyakat.
- Ne tankoljon járó motornál.
- Várja meg a tankolással, amíg lehül a motor.
- Tankolás előtt nyissa meg lassan a tanksapkát, engedje ki óvatosan a nyomást.
- Ne beltérben tankoljon. A nem elegendő mértékű légáramlás fulladás vagy szén-monoxid miatt egészségkárosodást, akár halált is okozhat.
- Húzza meg teljesen az üzemanyagtartály sapkáját. Ha az üzemanyagtartály sapkája nincs meghúzva, tűzveszélyt okozhat.

- Beindítás előtt vigye a terméket legalább 3 m távolságra a tankolás helyétől.
- Ne töltsé teljesen tele az üzemanyagtartályt. Hő hatására az üzemanyag kitágul. Hagyjon egy kis helyet az üzemanyagtartály tetejénél.

Biztonsági utasítások a karbantáshoz



FIGYELMEZTETÉS: A termék használata előtt olvassa el az alábbi figyelmeztetéseket.

- A motorból származó kipufogógázok szén-monoxidot tartalmaznak, amely szagtalan, mérgező, rendkívül veszélyes gáz. Ne indítsa be a motort beltérben vagy zárt helyen.
- A termék karbantatása előtt állítsa le a motort, és húzza ki a gyújtáskábelt a gyújtógyertyából.
- A vágószerszemet karbantatásakor használjon védőkesztyűt. A kés nagyon éles, könnyen megvághatja magát.
- A gyártó által nem jóváhagyott tartozékok és változtatások súlyos sérülést vagy halált okozhatnak. Ne végezzen módosításokat a terméken. Csak a gyártó által jóváhagyott tartozékokat használjon.
- Ha a karbantatást nem megfelelően és rendszeresen végezték el, nő a termék sérülésének és károsodásának kockázata.
- Csak a felhasználói kézikönyvben megadott karbantatást végezze el. Minden egyéb szervizelés csak hivatalos Husqvarna szervizműhely végezhet.
- Végeztesse a termék rendszeres szervizelését hivatalos Husqvarna szervizműhellyel.
- A sérült, kopott vagy törött alkatrészt cserélje ki.

Összeszerelés

Bevezető



FIGYELMEZTETÉS: A termék összeszerelése előtt el kell olvasnia és meg kell értenie a biztonságról szóló fejezetet.



FIGYELMEZTETÉS: A termék összeszerelése előtt távolítsa el a gyújtógyertya kábelét a gyújtógyertyából.

A fogantyú összeszerelése

1. Lazítsa meg a termék bal és jobb oldalán található alsó gombokat. Ellenőrizze, hogy a műanyag alátét a fogantyú keretének mélyedésében helyezkedik-e el. (ábra 30)

2. Szerelje fel a fogantyút előrehajtott állapotban az ábrán látható módon. (ábra 31)
 - a) Ellenőrizze, hogy a műanyag alátét a fogantyú és a fogantyú kerete között helyezkedik-e el.
 - b) Szerelje fel a fogantyút a fogantyú keretére.
3. Emelje fel a fogantyút. (ábra 32)
4. Teljesen húzza meg a gombokat. A fogantyúmagasság beállításához lásd: *A fogantyúmagasság beállítása 163. oldalon.*
5. Illessze a vezetékeket a kábeltartókba. Ellenőrizze, hogy a vezetékek nincsenek-e megcsavarodva. Rögzítse a kábeltartókat a fogantyúra. (ábra 33)
6. A kábeleket kábelkötöző segítségével rögzítheti a fogantyú keretére. (ábra 34)

A fogantyúmagasság beállítása

1. Lazítsa meg az alsó csavarokat.
2. A gombokat a termék bal és jobb oldalán is csúsztassa a hornyok alsó végébe. (ábra 35)
3. Állítsa a fogantyú magasságát a két lehetséges pozíció egyikébe.
4. A gombokat ütközésig csúsztassa a fogantyú irányába, amíg egy kattantást nem hall. (ábra 36)
5. Teljesen húzza meg a gombokat.

A termék szállítási pozícióba állítása

1. Vegye ki a fűgyújtót.
2. Lazítsa meg az alsó csavarokat.
3. A gombokat a termék bal és jobb oldalán is csúsztassa a hornyok alsó végébe. (ábra 35)
4. Hajtsa előre a fogantyút. (ábra 37)

A termék működési pozícióba állítása

1. Emelje fel a fogantyút. (ábra 32)
2. A gombokat ütközésig csúsztassa a fogantyú irányába, amíg egy kattantást nem hall. (ábra 36)
3. Teljesen húzza meg a gombokat.

A fűgyújtó doboz felszerelése

1. Rögzítse a fűgyújtó keretét a fűzsákban úgy, hogy a fűzsák merev része alul legyen. A keret fogantyúja a fűzsák tetején legyen. (ábra 38)
2. Rögzítse a fűgyújtó keret alját a fűzsák aljához. (ábra 39)
 - a) Nyomja a fűgyújtó keretét a mélyedésbe. Kezdje a jobb oldalról az ábrán látható módon, majd fokozatosan haladjon a bal oldal felé.

3. Ha a fűgyújtó keret nehezen rögzíthető, óvatosan üssön a keretre egy gumikalapáccsal. A fűgyújtó keretet a megerősítések között üsse meg. (ábra 40)
4. A kapcsokkal rögzítse a fűzsákot a fűgyújtó keretéhez. (ábra 41)
5. Emelje fel a hátsó burkolatot.
6. Csatlakoztassa a fűgyújtót a vázszekrény felső széléhez.
7. Helyezze a fűgyújtó alsó részét a fűkibobó csatornába. (ábra 42)

A mulcsozó dugó (tartozék) összeszerelése

1. Emelje fel a hátsó burkolatot, és vegye ki a fűgyújtót.
2. Helyezze a mulcsozó dugót a fűkibobó csatornába. (ábra 43)
3. Cserélje ki a kést a mulcsozókészlethez mellékelt mulcsozókéssre. Lásd: *A kés cseréje 166. oldalon.*

Fű vágása fűgyújtó vagy mulcsozó dugó nélkül

- Emelje fel a hátsó burkolatot, és vegye ki a fűgyújtót.
- Ha van felszerelve mulcsozó dugó és mulcsozókéss, szerelje le azokat.
- Zárja le a hátsó burkolatot, mielőtt használni kezdené a terméket.

A termék használatakor a levágott fű a hátsó burkolat alatt ürül.

Üzemeltetés

Bevezető



FIGYELMEZTETÉS: A termék működtetése előtt el kell olvasnia és meg kell értenie a biztonságról szóló fejezetet.

Husqvarna Connect

A Husqvarna Connect egy ingyenes mobilalkalmazás. A Husqvarna Connect alkalmazás kibővített funkciókat biztosít Husqvarna termékéhez:

- Bővebb termékinformációk.
- Információk és segítség a termékalkatrészekkel és a szervizeléssel kapcsolatban.

A Husqvarna Connect használatának megkezdése

1. Töltse le a Husqvarna Connect alkalmazást mobilkészletére.
2. Regisztráljon egy fiókot a Husqvarna Connect alkalmazásban.
3. A termék csatlakoztatásához és regisztrálásához kövesse a Husqvarna Connect alkalmazásban megjelenő utasításokat.

A termék működtetése előtt

1. Olvassa el figyelmesen a használati utasítást, és győződjön meg róla, hogy megértette azt.
2. Vizsgálja meg a vágószerkezetet, hogy megbizonyosodjon róla, hogy megfelelően van rögzítve és beállítva. Lásd *A vágószerkezet ellenőrzése 166. oldalon.*

3. Töltse fel az üzemanyagtartályt. Lásd *Tankolás164. oldalon.*
4. Töltse fel az olajtartályt, és ellenőrizze az olajsintet. Lásd *Az olajsint ellenőrzése166. oldalon.*

Tankolás

Ha elérhető, használjon környezetbarát/alkilát benzint. Ha környezetbarát/alkilát benzint nem áll rendelkezésre, használjon jó minőségű, legalább 90-es oktánszámú ólommentes vagy ólommentes benzint.



VIGYÁZAT: Ne használjon 90 RON (87 AKI) oktánszámúnál gyengébb benzint. Ezzel kárt tehet a termékben.

1. Lassan nyissa ki az üzemanyagtartály sapkáját, hogy kiengedje a nyomást.
2. Töltsön fel lassan a tartályt az üzemanyagkannával. Ha kiömlött az üzemanyag, törölje le egy kendővel, és hagyja, hogy a megmaradt üzemanyag felszáradjon. (ábra 44)
3. Tartsa tisztán az üzemanyagtartály sapkájának környékét.
4. Húzza meg teljesen az üzemanyagtartály sapkáját. Ha az üzemanyagtartály sapkája nincs meghúzva, tűzveszélyt okozhat.
5. Vigye legalább 3 m (10 láb) távolságra a terméket a tankolás helyétől, mielőtt beindítaná.

A vágási magasság beállítása

A vágási magasság 6 különböző szintre állítható.

1. A vágási magasság növeléséhez nyomja a vágásimagasság-szabályozót a kerék irányába, majd nyomja hátrafelé.
2. A vágási magasság csökkentéséhez nyomja a vágásimagasság-szabályozót a kerék irányába, majd nyomja előre felé. (ábra 45)



VIGYÁZAT: Ne állítsa túl alacsonyra a vágási magasságot. A kések a talajba ütközhetnek, ha a pázsit felülete nem egyenletes.

A termék elindítása (LC 551VQ)

1. Győződjön meg róla, hogy a gyújtáskábel csatlakozik a gyújtógyertyához.
2. Maradjon a termék mögött.
3. Húzza a fékkart a fogantyúhoz. (ábra 46)
4. Fogja meg a berántókötél fogantyúját jobb kézzel.
5. Lassan húzza ki a berántókötélet, amíg ellenállást nem érez.
6. Erőteljes mozdulattal rántsa be a motort.

A termék elindítása (LC 551SP, LC 551VBP)

1. Győződjön meg róla, hogy a gyújtáskábel csatlakozik a gyújtógyertyához.
2. Maradjon a termék mögött.
3. Állítsa be a gázadagolót.
 - a) Ha a motor hideg, állítsa a gázadagolót szívató állásba. (ábra 47)
 - b) Ha a motor meleg, ne állítsa a gázadagolót szívató állásba.
4. Az LC 551SP modell esetében húzza a fékkart a fogantyúhoz. (ábra 46)
5. Fogja meg a berántókötél fogantyúját jobb kézzel.
6. Lassan húzza ki a berántókötélet, amíg ellenállást nem érez.
7. Erőteljes mozdulattal rántsa be a motort.
8. Állítsa a gázadagoló teljes gázra.
9. Az LC 551VBP modell esetében:
 - a) Oldja ki az indításgátlót.
 - b) A kések elindításához nyomja a késfékszabályozót a fogantyú irányába.

A kerekeken levő meghajtó használata

- Húzza a kerékhajtás kapcsoló kart a fogantyú irányába. (ábra 48)
- Az LC 551VQ és LC 551VBP modellek esetében: Állítsa be a hajtási sebességet a fogantyú bal oldalán található fordulatszám-szabályozóval. A fordulatszám-szabályozó előre történő mozdításával a fordulatszám növelhető, hátrafelé mozdításával pedig csökkenthető. (ábra 49)
- Mielőtt maga felé húzza a gépet, kapcsolja ki a meghajtást, és tolja előre a gépet kb. 10 cm-re.
- Engedje el a kerékhajtás kapcsoló kart, hogy kikapcsolja a meghajtást, például amikor akadály közelébe ér.

A termék leállítása (LC 551SP, LC 551VQ)

- Csak a meghajtás leállításához engedje el a kerékhajtás kapcsoló kart.
- A motor leállításához engedje el a fékkart.

A (LC 551VBP) termék leállítása

- Csak a meghajtás leállításához engedje el a kerékhajtás kapcsoló kart.
- A motor leállításához állítsa a gázadagolót stop helyzetbe.

Megfelelő eredmény elérése

- Használjon mindig éles kést. A tompa kés egyenetlen eredményt ad, és a fű vágási felülete megsárgul. Az éles kés egyben kevesebb energiát igényel, mint a tompa kés.
- Ne nyírjon le többet a fű hosszának $\frac{1}{3}$ -ánál. Először nagy vágási magasságot állítson be, és úgy nyírjon. Vizsgálja meg az eredményt, és csökkentse a vágási magasságot egy megfelelő szintre. Ha nagyon magas a fű, lassan és szükség esetén 2-szer nyírjon.

- Minden alkalommal más irányban haladjon, hogy ne alakuljanak ki sávok a pázsiton.
- Tartsa tisztán a vágóburkolatot. A vágóburkolat belső oldalán lerakódott fű és szennyeződés ronthatja a vágási eredményt. Lásd: *A vágóburkolat belső felületének tisztítása 166. oldalon.*

Karbantartás

Bevezetés



FIGYELMEZTETÉS: Karbantartás előtt el kell olvasnia és meg kell értenie a biztonságról szóló fejezetet.

A gépen végzett minden szerviz- és javítási munkát szakképzettséget igényel. Garantáljuk a professzionális javítások és szervizelés lehetőségét. Ha márkakereskedője nem szervizműhely, forduljon hozzájuk a legközelebbi szervizműhellyel kapcsolatban.

Részletesebb információért lásd: www.husqvarna.com.

Karbantartási terv



VIGYÁZAT: A termék megdöntésekor ügyeljen arra, hogy a levegőszűrő a termék felfelé néző oldalán, ne pedig a föld felé néző oldalán legyen. Fennáll a motor károsodásának veszélye.

A karbantartási intervallumok meghatározásakor a termék napi használatát feltételeztük. Az intervallum változik, ha a terméket nem napi rendszerességgel használja.

A * szimbólummal jelölt karbantartási műveletekhez lásd: *Biztonsági eszközök a terméken 161. oldalon.*

Karbantartás	Naponta	Hetente	Havi
Végezzen általános ellenőrzést	X		
Ellenőrizze az olajszintet	X		
Tisztítsa meg a terméket	X		
Ellenőrizze a vágószerkezetet	X		
Ellenőrizze a vágóburkolatot *	X		
Ellenőrizze a fékkart * LC 551SP, LC 551VQ	X		
Ellenőrizze a késfékszabályozót * LC 551VBP	X		
Ellenőrizze a hangfogót *		X	
Ellenőrizze a gyújtógyertyát		X	
Cserélje ki az olajat (először 5 óra használat után, majd minden 50 óra használat után és évente)			X
Tisztítsa meg vagy cserélje ki a levegőszűrőt			X

Karbantartás	Naponta	Hetente	Havi
Ellenőrizze az üzemenyagrendszert			X

Általános ellenőrzés

- Ellenőrizze, hogy az anyák és csavarok megfelelően meg vannak-e szorítva a terméken.

A termék tisztítása

- A műanyag részeket tiszta, száraz törlőkendővel tisztítsa.
- A termék tisztításához ne használjon vizet. A víz az akkumulátorba vagy a motorba jutva azok rövidzárlatát vagy a termék károsodását okozhatja.
- Ne használjon nagynyomású mosóberendezést a termék tisztításához.
- Ne irányítsa a vízsugarat közvetlenül a motorra.
- Kefével távolítsa el a leveleket, a fűvet és az egyéb szennyeződések.
- Távolítsa el a tengelykapcsoló fedelét, és egy kefével távolítsa el a tengelykapcsoló fedele alatt a fűvet. (LC 551VBP)

A vágóburkolat belső felületének tisztítása

- Ürítse ki a benzintartályt.
- Fordítsa a terméket az oldalára a hangfogóval lefelé.



VIGYÁZAT: Ha a terméket a légszűrővel lefelé fordítva állítja, a motor károsodhat.

- Mossa le vízzel a vágóburkolat belső felületét.

A vágószerkezet ellenőrzése



FIGYELMEZTETÉS: A termék véletlen elindítását elkerülendő, húzza ki a gyújtáskábelt a gyújtógyertyából.



FIGYELMEZTETÉS: A vágószerkezet karbantartásakor használjon védőkesztyűt. A kés nagyon éles, könnyen megvághatja magát.

- Ellenőrizze a vágószerkezetet sérülés, repedés szempontjából. Mindig cserélje ki a sérült vágószerkezetet.
- Nézze meg a kést, hogy sérült-e vagy tompa-e.

Megjegyzés: A kés élezését követően ki kell egyensúlyozni. Végeztesse a kés élezését, cseréjét és kiegyensúlyozását szervizközponttal. Ha olyan akadályba ütközött, amely megállította a terméket, cserélje ki a sérült kést. Vizsgálta meg a szervizközpontban, hogy élezhető-e a kés, vagy pedig cserét igényel-e.

A kés cseréje

- Rögzítse a kést egy fadarabbal. (ábra 50)
- Távolítsa el a késtartó csavart.
- Vegye le a kést.
- Ellenőrizze, hogy a késtámasz és a késtartó csavar nem sérült-e meg.
- Ellenőrizze a motor tengelyét, hogy nincs-e meghajolva.
- Az új kés rögzítésekor a kés ferde részei a vágóburkolat felé nézzenek. (ábra 51)
- Győződjön meg róla, hogy a kés igazodik a motortengely középpontjához.
- Rögzítse a kést egy fadarabbal. (ábra 52)
- Szerelje fel a kést.
 - Az LC 551SP, LC 551VQ modell esetében helyezze fel a rugós alátétet, és húzza meg a csavart és az alátétet 70 Nm nyomatékkal.
 - Az LC 551VBP modell esetében húzza meg a csavarokat 50 Nm nyomatékkal. (ábra 53)
- Forgassa meg a kést kézzel, és figyelje, hogy szabadon forog-e.



FIGYELMEZTETÉS:

Használjon strapabíró kesztyűt. A kés nagyon éles, így Ön könnyen megsérülhet.

- Indítsa be a terméket, hogy tesztelje a kést. Ha a kés nincs megfelelően rögzítve, a termékben rezgés tapasztalható, vagy a vágási eredmény nem kielégítő.

Az olajsint ellenőrzése



VIGYÁZAT: Ha az olajsint túlságosan alacsony, kár keletkezhet a motorban. Ellenőrizze az olajsintet, mielőtt elindítja a terméket.

- Helyezze a terméket vízszintes talajra.
- Vegye le az olajtartály sapkáját a rögzített nivópálcával együtt.
- Törölje le a nivópálcáról az olajat.
- Helyezze teljesen a nivópálcát az olajtartályba. Húzza meg az olajtartály sapkáját, hogy biztosan jól felmérhető legyen az olajsint.
- Vegye ki a nivópálcát.
- Vizsgálja meg az olajsintet a nivópálcán.

- Ha az olajsínt alacsony, töltsse fel a tartályt motorolajjal, és ellenőrizze újra az olajsíntet.

(ábra 54)

Megjegyzés: Használjon egy tölcserát az olaj melléomlósének megelőzéséhez.

A motorolaj cseréje



FIGYELMEZTETÉS: A motorolaj rendkívül forró közvetlenül a motor leállítása után. Várja meg, amíg lehül a motor, mielőtt leereszti a motorolaját. Ha motorolaj kerül a bőrére, vízzel és szappannal mossa le.

(ábra 55)

- Húzza ki a gyújtáskábel a gyújtógyertyából.
- Vegye le az olajtartály sapkáját.
- Eressze le a motorolaját.
 - Olajleeresztő csavarral rendelkező típusok esetén: Tegyen egy tartályt az olajleeresztő csavar alá, hogy a motorolaját összegyűjtse.
 - Olajleeresztő csavar nélküli típusok esetén, vagy ha nem lehet az olajleeresztő csavar alá tenni egy tartályt: Egy olajszivattyúval (kiegészítő) eressze le a motorolaját az olajtartályból.
- Töltsse fel az olajtartályt az alábbi részben ajánlott típusú, új motorolajjal: *Műszaki adatok168. oldalon.*
- Ellenőrizze az olajsíntet. Lásd: *Az olajsínt ellenőrzése166. oldalon.*

A motorolaj feltöltése és cseréje

- A motorolaj feltöltésével és cseréjével kapcsolatban lásd a motor használati utasítását.

A levegőszűrő tisztítása és cseréje (LC 5551SP, LC 551VBP)

- A levegőszűrő tisztításával és cseréjével kapcsolatban lásd a motor kezelői kézikönyvét.

A levegőszűrő eltávolítása és felszerelése (LC 551VQ)



FIGYELMEZTETÉS: Használjon védőkesztyűt.

- Nyomja be a légszűrő fedelén található füleket.
- Óvatosan távolítsa el a légszűrő fedelét (A) a motorról.
- Távolítsa el a levegőszűrőt (B) és a habszivacs szűrőt (C). (ábra 56)

- Ellenőrizze, hogy nem károsodott-e a légszűrő. Cserélje ki a sérült levegőszűrőt.
- Tisztítsa meg és ellenőrizze a levegőszűrőt. Lásd: *A levegőszűrő megtisztítása (LC 551VQ)167. oldalon.*
- A beszerelést fordított sorrendben végezze el.

A levegőszűrő megtisztítása (LC 551VQ)



VIGYÁZAT: Ne működtesse a motort levegőszűrő nélkül vagy piszkos levegőszűrővel.



VIGYÁZAT: Ha a légszűrő sérült vagy nem sikerül teljesen megtisztítani, cserélje ki. A hibás levegőszűrő károsíthatja a motort.

- Nyomja le a reteszelfüleket (A), majd távolítsa el a levegőszűrő fedelét (B) és a levegőszűrőt (C). (ábra 57)
- Ütögesse a levegőszűrőt egy kemény felületnek, vagy fúvassa ki sürített levegővel a szűrő tiszta oldala felől.



VIGYÁZAT: A szennyeződések eltávolításához ne használjon keféket, ezzel ugyanis benyomja a szennyeződések a levegőszűrőbe.

- Tisztítsa meg a levegőszűrő-tartót (D) és a levegőszűrő fedelét egy nedves ruhával.



VIGYÁZAT: Ügyeljen arra, hogy ne kerüljön szennyeződés a légcsatornába (E).

- Szerelje be a légszűrőt. Győződjön meg arról, hogy a szűrő szorosan illeszkedik a levegőszűrő-tartóba.
- Helyezze fel a levegőszűrő fedelét, kezdve az alsó fülekkel.

A gyújtógyertya ellenőrzése.



VIGYÁZAT: Használja mindig az előírt típusú gyújtógyertyát. A nem megfelelő gyújtógyertya károsíthatja a terméket.

- Vizsgálja meg a gyújtógyertyát, ha gyenge a motor, nehezen indul, vagy egyenetlen az alapjárata.
- A gyújtógyertya elektródái közötti lerakódások kialakulásának csökkentése érdekében tartsa be az alábbi utasításokat:
 - gondoskodjon az alapjárat fordulatszám megfelelő beállításáról;

- b) gondoskodjon a megfelelő üzemanyag-keverékről;
 - c) gondoskodjon a levegőszűrő tisztaságáról.
- Ha a gyújtógyertya piszkos, tisztítsa meg, és ellenőrizze, hogy a szikraköz megfelelő-e, lásd: *Műszaki adatok 168. oldalon.* (ábra 58)
 - Szükség esetén cserélje ki a gyújtógyertyát.

Az üzemanyagrendszer ellenőrzése

- Vizsgálja meg az üzemanyagtartály sapkáját és a sapka tömítését, hogy ellenőrizze, nincs-e megsérülve.
- Vizsgálja meg az üzemanyag-vezetékét, hogy ellenőrizze, nincs-e szivárgás. Ha az üzemanyag-vezeték sérült, cseréltesse ki egy szervizműhellyel.

A fordulatszám-szabályozó és a gázadagoló beállítása

A fordulatszám-szabályozó módosítja a hajtási sebességet. A gázadagoló módosítja a motor fordulatszámát.



VIGYÁZAT: Ne módosítsa a fordulatszámot járó motor mellett.

1. A hajtási sebesség beállításához fordítsa el a beállítócsavart (A), ezzel beállítja a kábelköpeny hosszát. A hajtási sebesség növeléséhez állítsa rövidebbre a kábelköpenyt.
2. Ha a szivató állást vagy a stop állást nem lehet beállítani, módosítsa a motor fordulatszámát. Fordítsa el a beállítócsavart (B). (ábra 59)

Szállítás, tárolás és ártalmatlanítás

Szállítás és raktározás

- A termék és az üzemanyag tárolásához és szállításához győződjön meg róla, hogy nincsenek szivárgások vagy gázok. Szikra vagy nyílt láng, például elektromos készülékektől vagy kazánoktól, tüzet okozhat.
- Mindig engedélyezett tartályokat használjon az üzemanyag tárolására és szállítására.
- Ha a terméket hosszabb ideig tárolja, ürítse ki az üzemanyagtartályt. A felesleges üzemanyagot adja le egy erre kijelölt gyűjtőpontra.
- Biztonságosan rögzítse a terméket szállítás során, a sérülés és baleset elkerülése érdekében.
- Tartsa a terméket zárható helyen, ahol gyermek vagy jogosulatlan személy nem férhet hozzá.

- Tartsa a terméket száraz és fagymentes helyen.

Hulladékkezelés

- Kövesse a helyi újrahasznosítási előírásokat és a vonatkozó szabályozásokat.
- A használt vagy felesleges vegyi anyagot, például a motorolajat vagy az üzemanyagot, adja le egy szervizközpontban vagy egy erre kijelölt gyűjtőpontra.
- A már nem használt terméket, küldje vissza a Husqvarna kereskedőhöz, vagy adja le egy újrahasznosítási pontra.

Műszaki adatok

	LC 551SP	LC 551VBP	LC 551VQ
Motor			
Márka	Kawasaki	Kawasaki	Husqvarna
Típus	FJ180V	FJ180V	HS 166AP
Motortípus	Egyhengeres, 4 ütemű, kényszerített léghűtéses, OHV	Egyhengeres, 4 ütemű, kényszerített léghűtéses, OHV	Egyhengeres, 4 ütemű, kényszerített léghűtéses, OHV
Lökettérfogat, cm ³	179	179	166
Fordulatszám, ford./perc	2800	2800	2800

	LC 551SP	LC 551VBP	LC 551VQ
Névleges motorteljesítmény, kW ⁵⁶	2,9	2,9	2,7
Gyújtásrendszer			
Gyújtógyertya	NGK BPR5ES	NGK BPR5ES	Husqvarna HQT-7
Elektródahézag, mm	0,6–0,8	0,6–0,8	0,7-0,8
Üzemanyag- és olajozási rendszer			
Motor kenési típusa	Nyomás olajsűrővel	Nyomás olajsűrővel	Fröcsköléses
Üzemanyagtartály úrtartalma, l	1,9	1,9	1,5
Olajtartály úrtartalma, l	0,7	0,7	0,5
Motorolaj ⁵⁷	Husqvarna SAE 30	Husqvarna SAE 30	Husqvarna SAE 30
Tömeg			
Üres tartályokkal, kg	48,5	52,5	51,0
Zajkibocsátás ⁵⁸			
Hangteljesítményszint, mért dB (A) érték	97	96	97
Hangteljesítményszint, garantált, L _{WA} dB (A)	98	98	98
Zajszintek ⁵⁹			
Hangnyomásszint a felhasználó fülénél, dB (A)	87	84	86
Rezgésszintek ⁶⁰			
Fogantyú, m/s ²	4,5	4,5	3,2
Vágófelszerelés			
Vágási magasság, mm	26–74	26–74	26–74
Vágószélesség, mm	510	510	510
Kés	Gyújtás	Gyújtás	Gyújtás
Cikkszám	5875908-10	5821494-10	5875908-10
Fűgyűjtő úrtartalma, l	65	65	65
Meghajtás			

⁵⁶ A motor feltüntetett névleges teljesítménye az adott motormodell tipikus legyártott motorjának a J1349/ISO1585 sz. SAE-szabvány szerint mért átlagos nettó teljesítménye (a megadott fordulatszám mellett). A sorozatgyártott motorok esetén ez az érték eltérő lehet. A végső termékbe épített motor tényleges leadott teljesítménye az üzemi fordulatszámtól, a környezeti körülményektől és egyéb értékektől függ.

⁵⁷ Ha SAE-30 típusú olajat használnak +5 °C alatti hőmérsékleten, fennáll a kockázata, hogy az nem képes biztosítani a motor megfelelő kenését. Ez a motor sérülését okozhatja. Lásd: *A motorolaj cseréje 167. oldalon*. Az alacsony hőmérséklet mellett alkalmazandó megfelelő olajtípusra vonatkozóan.

⁵⁸ A környezetben a 2000/14/EK sz. EK irányelvvel összhangban hangteljesítményként mért zajkibocsátás (L_{WA}).

⁵⁹ Hangnyomásszint az ISO 5395 szabvány szerint. A zajnyomásszintre vonatkozó jelentési adatok az 1,2 dB (A) tipikus statisztikus ingadozásával (szórásával) rendelkeznek.

⁶⁰ Regzésszint az ISO 5395 szabvány szerint. A rezgésszintre vonatkozó jelentési adatok a 0,2 m/s² tipikus statisztikus ingadozásával (szórásával) rendelkeznek.

	LC 551SP	LC 551VBP	LC 551VQ
Sebesség, km/óra	4,1	2,8-5	2,8-5

Megfelelőségi nyilatkozat

EU megfelelési nyilatkozat

A **Husqvarna AB**, SE-561 82 Huskvarna, Sweden (tel.: +46-36-146500), a saját felelősségére kijelenti, hogy a termék:

Leírás	Fűnyíró
Márka	Husqvarna
Típus/modell	LC 551SP, LC 551VBP, LC 551VQ
Megjelölés	2022-as és újabb sorozatszámok

teljes mértékben megfelelnek a következő EU-irányelveknek és szabályozásoknak:

Szabályozás	Leírás
2006/42/EK	„gépre vonatkozó”
2014/30/EU	„elektromágneses megfelelésre vonatkozó”
2000/14/EK	„környezeti zajkibocsátásra vonatkozó”
2011/65/EU	„az egyes veszélyes anyagok elektromos és elektronikus berendezésekben való alkalmazásának korlátozására vonatkozó”

valamint hogy az alábbi szabványok és/vagy műszaki előírások kerültek alkalmazásra: EN ISO 5395-1:2013/A1:2018, EN ISO 5395-2:2013/A1:2016/A2:2017, EN ISO 14982:2009, EN IEC 63000:2018

Bejelentett tanúsítási szervezet: A(z) 0404, RISE SMP Svensk Maskinprovning AB, Box 4053, SE-904 03 Umeå, Sweden igazolja a Bizottság 2000/14/EK jelű irányelve VI., megfelelésértékelési eljárás című függelékének való megfelelést.

A zajkibocsátásra vonatkozó tájékoztatást illetően tekintse át a következőt: *Műszaki adatok 168. oldalon.*

Huskvarna, 2022-09-29



Claes Losdal, Fejlesztési Igazgató/Kertművelési termékek, Husqvarna AB

A műszaki dokumentációk felelőse



Sommario

Introduzione.....	172	Manutenzione.....	179
Sicurezza.....	173	Trasporto, stoccaggio e smaltimento.....	182
Montaggio.....	176	Dati tecnici.....	183
Utilizzo.....	178	Dichiarazione di conformità.....	185

Introduzione

Descrizione del prodotto

Il prodotto è un rasaerba rotativo con operatore a piedi. L'erba viene raccolta in un raccogliherba. Rimuovere il raccogliherba per scaricare l'erba dalla parte posteriore del prodotto. Agganciare un kit di pacciamatura (accessorio) per tagliare l'erba da utilizzare come fertilizzante.

Panoramica del prodotto

(Fig. 1)

1. Impugnatura del freno motore
2. Impugnatura / manubrio
3. Controllo del regime
4. Impugnatura di comando
5. Impugnatura della fune di avviamento
6. Raccogliherba
7. Regolazione dell'altezza dell'impugnatura
8. Controllo dell'altezza di taglio

Panoramica del prodotto

(Fig. 2)

1. Impugnatura / manubrio
2. Comando del freno della lama (LC 551VBP)
3. Controllo del regime/comando dell' acceleratore (LC 551VBP)
4. Impugnatura di comando (LC 551VBP)
5. Inibitore di avviamento (LC 551VBP)
6. Impugnatura della fune di avviamento
7. Raccogliherba
8. Regolazione dell'altezza dell'impugnatura
9. Controllo dell'altezza di taglio
10. Asta di livello/serbatoio dell'olio
11. Coperchio di taglio
12. Marmitta
13. Candela
14. Filtro dell'aria
15. Serbatoio del carburante
16. Coperchio posteriore
17. Impugnatura del freno motore (LC 551SP)
18. Comando dell'acceleratore (LC 551SP)
19. Impugnatura di comando (LC 551SP)
20. Manuale dell'operatore

Uso previsto

Utilizzare il prodotto per tagliare l'erba. Non utilizzare il prodotto per altre attività.

9. Asta di livello/serbatoio dell'olio
10. Coperchio di taglio
11. Marmitta
12. Candela
13. Filtro dell'aria
14. Serbatoio del carburante
15. Coperchio posteriore
16. Manuale dell'operatore

Simboli riportati sul prodotto

- (Fig. 3) L'uso improprio del prodotto può provocare lesioni anche mortali all'operatore o alle persone circostanti.
- (Fig. 4) Prima dell'uso, leggere attentamente il manuale operatore e accertarsi di aver compreso le istruzioni.
- (Fig. 5) Mantenere le persone e gli animali a una distanza di sicurezza dalla zona di lavoro.
- (Fig. 6) Arrestare il motore e rimuovere il cavo di accensione prima di effettuare interventi di riparazione o manutenzione.
- (Fig. 7) Olio
- (Fig. 8) Veloce
- (Fig. 9) Lento
- (Fig. 10) Spegnerne il motore

- (Fig. 11) Valvola dell'aria
- (Fig. 12) Frizione della lama
- (Fig. 13) Prestare attenzione a oggetti lanciati o rimbalzati.
- (Fig. 14) Tenere mani e piedi lontani dalla lama rotante.
- (Fig. 15) Tenere mani e piedi lontani dalle parti rotanti.
- (Fig. 16) Questo prodotto è conforme alle direttive UE vigenti.
- (Fig. 17) Questo prodotto è conforme alle direttive del Regno Unito vigenti.
- (Fig. 18) Emissioni di rumore nell'ambiente in conformità alle direttive e alle norme UE e UK e alla norma del Nuovo Galles del Sud in materia di protezione dell'ambiente "Protection of the Environment Operations (Noise Control) Regulation 2017". Il livello di potenza sonora garantito del prodotto è specificato in *Dati tecnici alla pagina 183* nonché sull'etichetta
- (Fig. 19) I fumi di scarico del motore contengono monossido di carbonio, un gas inodore, velenoso ed estremamente pericoloso. Non far funzionare il prodotto in ambienti chiusi o in spazi angusti.
- (Fig. 20) Non far funzionare il prodotto in ambienti chiusi o in spazi angusti.
- (Fig. 21) Rischio di esplosione.

- (Fig. 22) Superficie calda
- (Fig. 23) Il motore è consegnato senza olio.
- (Fig. 24) Riempire il motore con olio prima di utilizzare il prodotto.
- (Fig. 25) Non utilizzare carburante E85.
- (Fig. 26) Tenere il prodotto lontano da fiamme libere.
- (Fig. 27) Codice scansionabile.

Nota: Altri simboli/decalcomanie sul prodotto si riferiscono ai requisiti legali specifici del mercato.

Emissioni Euro V



AVVERTENZA: La manomissione del motore rende nulla l'omologazione UE del prodotto.

Responsabilità del prodotto

Come indicato nelle leggi vigenti in materia di responsabilità obbligatoria sul prodotto, non siamo responsabili per eventuali danni causati dal nostro prodotto se:

- Il prodotto viene riparato in modo errato.
- Il prodotto viene riparato con parti che non provengono o non sono omologate dal produttore.
- Il prodotto contiene un accessorio che non proviene o non è omologato dal produttore.
- Il prodotto non viene riparato presso un centro di assistenza autorizzato o presso un'autorità competente.

Sicurezza

Definizioni di sicurezza

Le avvertenze, le precauzioni e le note sono utilizzate per evidenziare le parti importanti del manuale.



AVVERTENZA: Utilizzato se è presente un rischio di lesioni o morte dell'operatore o di passanti nel caso in cui le istruzioni del manuale non vengano rispettate.



ATTENZIONE: Utilizzato se è presente un rischio di danni al prodotto, ad altri materiali oppure alla zona adiacente nel

caso in cui le istruzioni del manuale non vengano rispettate.

Nota: Utilizzato per fornire ulteriori informazioni necessarie in una determinata situazione.

Istruzioni di sicurezza generali



AVVERTENZA: Leggere le seguenti avvertenze prima di utilizzare il prodotto.

- Questo prodotto è pericoloso se utilizzato in maniera impropria o se non si presta attenzione. La mancata

osservanza delle istruzioni di sicurezza può causare lesioni anche fatali.

- Durante il funzionamento, questo prodotto genera un campo elettromagnetico. Tale campo può interferire, in alcuni casi, con persone portatrici di impianti medici attivi o passivi. Per ridurre il rischio di condizioni che possono implicare lesioni gravi o mortali, i portatori di tali impianti devono consultare il proprio medico e il produttore dell'impianto prima di utilizzare questo prodotto.
- Usare la massima cautela e il buon senso. Se non si è sicuri di come utilizzare il prodotto in una particolare situazione, fermarsi e rivolgersi al proprio rivenditore Husqvarna prima di continuare.
- Tenere presente che l'operatore potrà essere ritenuto responsabile di eventuali incidenti che coinvolgono altre persone o i loro beni.
- Tenere pulito il prodotto. Assicurarsi che sia possibile leggere chiaramente simboli e decalcomanie.
- Non consentire ad altre persone di utilizzare il prodotto se non si è sicuri che abbiano letto e compreso il contenuto del Manuale dell'operatore.
- Non consentire ai bambini di utilizzare il prodotto.
- Tenere i bambini lontani dall'area di lavoro. È necessaria sempre la supervisione di un adulto responsabile.
- Non permettere a chiunque non conosca le istruzioni di utilizzare il prodotto.
- Controllare sempre qualsiasi persona, dalle capacità fisiche o mentali ridotte, che utilizzi il prodotto. È necessaria sempre la supervisione di un adulto responsabile.
- Non utilizzare l'apparecchio quando si è stanchi, ammalati o sotto effetto di alcool, farmaci o medicinali. Essi potrebbero compromettere la vista, l'attenzione, il coordinamento e il giudizio.
- Se difettoso, non utilizzare il prodotto.
- Non modificare il prodotto né utilizzarlo nel caso in cui vi sia la possibilità che sia stato modificato da altri.
- Non modificare la regolazione per il controllo del regime motore.

Sicurezza dell'area di lavoro



AVVERTENZA: Leggere le seguenti avvertenze prima di utilizzare il prodotto.

- Rimuovere oggetti quali rami, ramoscelli o pietre dall'area di lavoro prima di utilizzare il prodotto.
- Gli oggetti che urtano contro l'attrezzatura di taglio potrebbero essere proiettati e causare danni a cose e persone. Mantenere persone e animali a una distanza di sicurezza dal prodotto.
- Non utilizzare mai il prodotto in condizioni meteorologiche avverse quali nebbia, pioggia, vento forte, freddo intenso e rischio di fulmini.

L'uso del prodotto in condizioni meteorologiche avverse o in ambienti umidi è stancante. Condizioni meteorologiche avverse possono causare situazioni di pericolo quali superfici scivolose.

- Prestare attenzione a persone, cose e situazioni che possono impedire un utilizzo sicuro del prodotto.
- Prestare attenzione a ostacoli quali radici, pietre, ramoscelli, fossi e avvallamenti. L'erba alta può nascondere eventuali ostacoli.
- Tagliare l'erba in pendenza può risultare pericoloso. Non utilizzare il prodotto su terreni con pendenze superiori a 15°.
- Utilizzare il prodotto trasversalmente lungo i pendii. Non spostarsi seguendo tragitti verso l'alto e verso il basso.
- Prestare attenzione in prossimità di angoli e oggetti nascosti che potrebbero ostacolare la visuale.

Sicurezza sul lavoro



AVVERTENZA: Leggere le seguenti avvertenze prima di utilizzare il prodotto.

- Utilizzare il prodotto esclusivamente per tagliare il prato. Non è consentito utilizzare il prodotto per altri scopi.
- Usare sempre abbigliamento protettivo personale. Vedere *Abbigliamento protettivo personale alla pagina 175*.
- Assicurarsi di saper spegnere il motore rapidamente in caso di emergenza.
- Non avviare il motore in uno spazio chiuso o in prossimità di materiali infiammabili. I fumi di scarico del motore sono molto caldi e possono contenere scintille in grado di provocare incendi.
- Non azionare il prodotto senza prima aver montato correttamente la lama e tutti i coperchi. Una lama non correttamente fissata potrebbe allentarsi e causare lesioni personali.
- Assicurarsi che la lama non urti oggetti quali pietre e radici. Ciò potrebbe provocare danni alla lama e piegare l'albero motore. Un'asse piegato provoca forti vibrazioni e un alto rischio di allentamento della lama.
- Qualora la lama urti contro un oggetto o all'insorgere di vibrazioni arrestare immediatamente il prodotto. Staccare il cavo di accensione dalla candela. Verificare la presenza di eventuali danni al prodotto. Riparare eventuali danni o contattare un'officina autorizzata per far svolgere la riparazione.
- Non fissare l'impugnatura del freno motore in modo permanente al manubrio quando il motore è avviato.
- Posizionare il prodotto su una superficie piana e stabile e avviarlo. Assicurarsi che la lama non venga a contatto con il terreno o con altri oggetti.
- Collocarsi sempre posteriormente al prodotto quando lo si utilizza.

- Consentire a tutte le ruote di restare a contatto con il suolo e tenere le 2 mani sull'impugnatura mentre si aziona il prodotto. Tenere mani e piedi lontani dalle lame rotanti.
- Non ribaltare il prodotto a motore acceso.
- Prestare attenzione quando si tira il prodotto verso di sé.
- Non sollevare mai il prodotto a motore avviato. Se si deve sollevare il prodotto, arrestare innanzitutto il motore e scollegare il cavo di accensione dalla candela.
- Non camminare all'indietro quando si utilizza il prodotto.
- Arrestare il motore quando si attraversano zone prive d'erba quali vialetti in ghiaia, pietra e asfalto.
- Non correre con il prodotto quando il motore è acceso. Camminare sempre durante l'utilizzo del prodotto.
- Spegner il motore prima di apportare qualsiasi modifica all'altezza di taglio. Non effettuare mai regolazioni a motore acceso.
- Non perdere mai di vista il prodotto quando il motore è acceso. Arrestare il motore e assicurarsi che l'attrezzatura di taglio non giri.

Istruzioni di sicurezza per il funzionamento

Abbigliamento protettivo personale



AVVERTENZA: Leggere le seguenti avvertenze prima di utilizzare il prodotto.

- L'uso di abbigliamento protettivo personale non elimina il rischio di lesioni, ma ne riduce la gravità in caso di incidente. Farsi consigliare dal rivenditore per la scelta dell'attrezzatura adatta.
- Utilizzare protezioni per le orecchie se il livello di rumore è superiore a 85 dB.
- Utilizzare robusti stivali o scarpe antiscivolo. Non utilizzare il prodotto con calzature aperte o a piedi nudi.
- Utilizzare pantaloni lunghi di tessuto pesante.
- Indossare guanti protettivi ove necessario, ad esempio per montare, ispezionare o pulire l'attrezzatura di taglio.

Dispositivi di sicurezza sul prodotto



AVVERTENZA: Leggere le seguenti avvertenze prima di utilizzare il prodotto.

- Non utilizzare un prodotto usando dispositivi di sicurezza danneggiati o che non funzionano correttamente.
- Effettuare regolarmente un controllo dei dispositivi di sicurezza. Se i dispositivi di sicurezza sono

danneggiati o non funzionano correttamente, rivolgersi al centro di assistenza Husqvarna.

- Non apportare modifiche ai dispositivi di sicurezza.

Controllo del coperchio di taglio

Il coperchio di taglio riduce le vibrazioni del prodotto e il rischio di ferirsi con la lama.

- Esaminare il coperchio di taglio per accertarsi che non presenti danni quali crepe.

Controllo dell'impugnatura del freno motore (LC 551SP, LC 551VQ)

L'impugnatura del freno motore arresta il motore. Quando si rilascia l'impugnatura del freno motore, il motore si arresta.

- Avviare il motore, quindi rilasciare l'impugnatura del freno motore. Se il motore non si arresta entro 3 secondi, far regolare il freno motore presso un'officina Husqvarna autorizzata. (Fig. 28)

Verifica del comando del freno della lama e dell'inibitore dell'avviamento (LC 551VBP)

Il comando del freno della lama ferma solo la lama e non il motore. Quando si rilascia il comando del freno della lama, la lama si arresta.

1. Avviare il motore.
2. Spingere il comando del freno della lama in direzione del manubrio. L'inibitore di avviamento arresta il movimento.
3. Tirare fuori l'inibitore di avviamento.
4. Spingere il comando del freno della lama in direzione del manubrio. La lama inizia a ruotare.
5. Rilasciare il comando del freno della lama. Se la lama non si arresta entro 3 secondi, far regolare il freno della lama presso un'officina autorizzata Husqvarna. (Fig. 29)
6. Accertarsi che l'inibitore dell'avviamento torni nella posizione iniziale.

Marmitta

La marmitta assicura il minimo livello acustico e allontana i fumi di scarico dall'operatore.

Non utilizzare il prodotto se la marmitta è mancante o difettosa. Una marmitta difettosa aumenta il livello acustico e il rischio di incendio.



AVVERTENZA: La marmitta si surriscalda durante e dopo l'uso e quando il motore funziona al regime minimo. Prestare attenzione in prossimità di materiali infiammabili e/o fumi per evitare incendi.

Controllo della marmitta

- Esaminare la marmitta periodicamente per assicurarsi che sia collegata correttamente e che non sia danneggiata.

Sicurezza nell'uso del carburante



AVVERTENZA: Leggere le seguenti avvertenze prima di utilizzare il prodotto.

- Non avviare il prodotto nel caso in cui vi sia carburante o olio motore su di esso. Rimuovere il carburante/olio indesiderato e lasciare che il prodotto si asciughi.
- In caso di perdite di carburante sugli indumenti, cambiarsi immediatamente.
- Il carburante non deve arrivare a contatto con il corpo, poiché può causare lesioni. In caso di contatto del carburante con il corpo, rimuoverlo con acqua e sapone.
- Non avviare il prodotto se il motore presenta una perdita. Esaminare regolarmente il motore per verificare la presenza di eventuali perdite.
- Prestare la massima attenzione con il carburante. Il carburante è infiammabile e i fumi sono esplosivi quindi possono causare lesioni o morte.
- Non respirare i fumi del carburante perché possono causare lesioni. Accertarsi che ci sia un flusso d'aria sufficiente.
- Non fumare in prossimità del carburante o del motore.
- Non posizionare oggetti caldi in prossimità del carburante o del motore.
- Non aggiungere carburante a motore acceso.
- Assicurarsi che il motore sia freddo prima di effettuare il rifornimento.
- Prima di effettuare il rifornimento, aprire lentamente il tappo del serbatoio del carburante e rilasciare la pressione con cautela.
- Non aggiungere carburante al motore in un ambiente chiuso. Un flusso d'aria insufficiente può causare lesioni o la morte dovute ad asfissia o al monossido di carbonio.

- Stringere completamente il tappo del serbatoio del carburante. Se il tappo del serbatoio carburante non è serrato, vi è il rischio di incendio.
- Prima dell'avviamento, spostare il prodotto di almeno 3 m/10 ft dal punto in cui è stato riempito il serbatoio del carburante.
- Non riempire completamente il serbatoio del carburante. Il calore provoca l'espansione del carburante. Lasciare dello spazio nella parte superiore del serbatoio del carburante.

Istruzioni di sicurezza per la manutenzione



AVVERTENZA: Leggere le seguenti avvertenze prima di utilizzare il prodotto.

- I fumi di scarico del motore contengono monossido di carbonio, un gas inodore, velenoso e altamente pericoloso. Non avviare il motore in ambienti o spazi chiusi.
- Prima di eseguire la manutenzione del prodotto, arrestare il motore e rimuovere il cavo di accensione dalla candela.
- Indossare guanti protettivi quando si esegue la manutenzione dell'attrezzatura di taglio. La lama è molto affilata e ci si può ferire facilmente.
- Accessori e modifiche apportate al prodotto che non siano stati approvati dal costruttore possono causare infortuni gravi, anche fatali. Non apportare modifiche al prodotto. Utilizzare sempre accessori approvati dal produttore.
- Se la manutenzione non viene eseguita correttamente e con regolarità, aumenta il rischio di lesioni personali e danni al prodotto.
- Eseguire esclusivamente gli interventi di manutenzione riportati nel presente manuale. Tutti gli altri interventi di manutenzione devono essere svolti da un'officina Husqvarna autorizzata.
- Rivolgersi a un'officina Husqvarna autorizzata per far svolgere regolarmente interventi di manutenzione sul prodotto.
- Sostituire le parti danneggiate, usurate o rotte.

Montaggio

Introduzione



AVVERTENZA: Prima di assemblare il prodotto, leggere e comprendere il capitolo sulla sicurezza.



AVVERTENZA: Rimuovere il cavo della candela dalla candela prima di assemblare il prodotto.

Montaggio dell'impugnatura

1. Allentare le manopole inferiori sui lati sinistro e destro del prodotto. Accertarsi che la rondella di plastica sia nella cavità della staffa dell'impugnatura. (Fig. 30)
2. Montare l'impugnatura ripiegata in avanti, come mostrato nella figura. (Fig. 31)
 - a) Accertarsi che la rondella di plastica si trovi tra l'impugnatura e la relativa staffa.
 - b) Fissare l'impugnatura alla staffa.

3. Sollevare l'impugnatura. (Fig. 32)
4. Stringere completamente le manopole. Per la regolazione dell'altezza dell'impugnatura, fare riferimento a *Regolazione dell'altezza dell'impugnatura alla pagina 177*.
5. Posizionare i fili nelle staffe dei cavi. Assicurarsi che i fili non siano attorcigliati. Fissare le staffe dei cavi all'impugnatura. (Fig. 33)
6. Usare una fascetta per fissare i cavi alla staffa dell'impugnatura. (Fig. 34)

Regolazione dell'altezza dell'impugnatura

1. Allentare le manopole inferiori.
2. Spostare le manopole verso l'estremità inferiore delle scanalature dei lati sinistro e destro del prodotto. (Fig. 35)
3. Impostare l'altezza dell'impugnatura su 1 delle 2 posizioni disponibili.
4. Spostare le manopole verso l'alto in direzione del manubrio fino a quando un clic ne segnala l'arresto. (Fig. 36)
5. Stringere completamente le manopole.

Per predisporre il prodotto in posizione di trasporto

1. Rimuovere il raccoglierba.
2. Allentare le manopole inferiori.
3. Spostare le manopole verso l'estremità inferiore delle scanalature dei lati sinistro e destro del prodotto. (Fig. 35)
4. Ripiegare l'impugnatura in avanti. (Fig. 37)

Per fissare il prodotto in posizione di funzionamento

1. Sollevare il manubrio. (Fig. 32)
2. Spostare le manopole verso l'alto in direzione del manubrio fino a quando un clic ne segnala l'arresto. (Fig. 36)
3. Stringere completamente le manopole.

Per assemblare il raccoglierba

1. Fissare il telaio del raccoglierba al relativo sacco con la parte rigida di quest'ultimo posta in basso. Mantenere l'impugnatura del telaio dalla parte alta del sacco raccoglierba. (Fig. 38)

2. Fissare la parte inferiore del telaio del raccoglierba alla parte inferiore del sacco. (Fig. 39)
 - a) Premere il telaio del raccoglierba nella scanalatura. Iniziare dal lato destro, come mostrato nella figura e spostarsi progressivamente verso sinistra.
3. Se il telaio del raccoglierba non si collega facilmente, colpire il telaio delicatamente con un mazzuolo in gomma. Colpire il telaio del raccoglierba tra i rinforzi. (Fig. 40)
4. Fissare il sacco sul telaio del raccoglierba utilizzando i fermi. (Fig. 41)
5. Sollevare il coperchio posteriore.
6. Fissare il raccoglierba al bordo superiore del telaio.
7. Inserire la parte inferiore del raccoglierba nel canale di scarico dell'erba. (Fig. 42)

Per montare la spina di pacciamatura (accessori)

1. Sollevare il coperchio posteriore e rimuovere il raccoglierba.
2. Inserire la spina di pacciamatura nel canale di scarico. (Fig. 43)
3. Sostituire la lama con la lama di pacciamatura fornita nel kit di pacciamatura. Vedere *Per sostituire la lama alla pagina 180*.

Per tagliare l'erba senza un raccoglierba o una spina di pacciamatura collegata

- Sollevare il coperchio posteriore e rimuovere il raccoglierba.
- Se sono collegate una spina e una lama di pacciamatura, rimuoverle.
- Chiudere il coperchio posteriore prima di azionare il prodotto.

Durante l'utilizzo del prodotto, l'erba tagliata si scarica sotto il coperchio posteriore.

Introduzione



AVVERTENZA: Prima di utilizzare il prodotto, è necessario leggere e comprendere il capitolo relativo alla sicurezza.

Husqvarna Connect

Husqvarna Connect è un'app gratuita per i dispositivi mobili. L'app Husqvarna Connect fornisce funzioni estese per il prodotto Husqvarna:

- Informazioni aggiuntive sul prodotto.
- Dettagli, guida, parti del prodotto e manutenzione.

Primo utilizzo Husqvarna Connect

1. Scaricare l'app Husqvarna Connect sul proprio dispositivo mobile.
2. Registrarsi nell'app Husqvarna Connect.
3. Attenersi alle istruzioni dell'app Husqvarna Connect per collegare e registrare il prodotto.

Prima di utilizzare il prodotto

1. Leggere il Manuale dell'operatore con attenzione e accertarsi di averne compreso il contenuto.
2. Esaminare l'attrezzatura di taglio per assicurarsi che sia correttamente collegata e regolata. Vedere *Per controllare l'attrezzatura di taglio alla pagina 180*.
3. Riempire il serbatoio del carburante. Vedere *Per il rifornimento del carburante alla pagina 178*.
4. Riempire il serbatoio dell'olio ed effettuare il controllo del livello dell'olio. Vedere *Controllo del livello dell'olio alla pagina 181*.

Per il rifornimento del carburante

Se disponibile, utilizzare benzina alchilata/a basso livello di emissioni. Se non è disponibile benzina alchilata/a basso livello di emissioni, utilizzare una benzina senza piombo di buona qualità o una benzina contenente piombo con un numero di ottani non inferiore a 90.



ATTENZIONE: Non utilizzare mai benzina con un numero di ottani inferiore a 90 RON (87 AKI). Ciò può causare danni al prodotto.

1. Aprire lentamente il tappo del serbatoio del carburante per rilasciare la pressione.
2. Riempire lentamente il serbatoio con una tanica di carburante. Se si versa del carburante, rimuoverlo con un panno e lasciare asciugare eventuali residui. (Fig. 44)

3. Pulire l'area intorno al tappo del serbatoio del carburante.
4. Stringere completamente il tappo del serbatoio del carburante. Se il tappo del serbatoio carburante non è serrato, vi è il rischio di incendio.
5. Prima dell'avviamento, spostare il prodotto di almeno 3 m (10 ft) dal punto in cui è stato riempito il serbatoio del carburante.

Impostazione dell'altezza di taglio

L'altezza di taglio può essere regolata su 6 diversi livelli.

1. Premere il comando dell'altezza di taglio nella direzione della ruota, quindi all'indietro per aumentare l'altezza di taglio.
2. Premere il comando dell'altezza di taglio nella direzione della ruota, quindi in avanti per diminuire l'altezza di taglio. (Fig. 45)



ATTENZIONE: Non impostare l'altezza di taglio troppo in basso. Se la superficie del prato non è piana, le lame possono urtare il terreno.

Avviamento del prodotto (LC 551VQ)

1. Accertarsi che il cavo di accensione sia collegato alla candela.
2. Collocarsi dietro il prodotto.
3. Tenere l'impugnatura del freno motore contro il manubrio. (Fig. 46)
4. Tenere l'impugnatura della fune di avviamento con la mano destra.
5. Estrarre lentamente l'impugnatura della fune di avviamento fino a che non si avverte una leggera resistenza.
6. Tirare con forza per avviare il motore.

Avviamento del prodotto (LC 551SP, LC 551VBP)

1. Accertarsi che il cavo di accensione sia collegato alla candela.
2. Collocarsi dietro il prodotto.
3. Regolare il comando dell'acceleratore.
 - a) Se il motore è freddo, regolare il comando dell'acceleratore in posizione di starter. (Fig. 47)
 - b) Se il motore è caldo, non regolare il comando dell'acceleratore in posizione di starter.
4. Sul modello LC 551SP, tenere l'impugnatura del freno motore contro il manubrio. (Fig. 46)
5. Tenere l'impugnatura della fune di avviamento con la mano destra.

6. Estrarre lentamente l'impugnatura della fune di avviamento fino a che non si avverte una leggera resistenza.
7. Tirare con forza per avviare il motore.
8. Impostare il comando dell'acceleratore a pieno acceleratore.
9. Sul modello LC 551VBP:
 - a) Rilasciare l'inibitore dell'avviamento.
 - b) Spingere il comando del freno della lama in direzione del manubrio per avviare le lame.

Applicazione della trazione alle ruote

- Tirare l'impugnatura di comando nella direzione del manubrio. (Fig. 48)
- Per i modelli LC 551VQ e LC 551VBP: Regolare la velocità di marcia con il controllo del regime sul lato sinistro dell'impugnatura. Spostare in avanti il controllo del regime per aumentare la velocità e all'indietro per diminuirla. (Fig. 49)
- Prima di tirare il prodotto verso di sé, disinnestare la trazione e spingere il prodotto in avanti di circa 10 cm.
- Rilasciare l'impugnatura di comando per disinnestare la trazione, ad esempio quando ci si avvicina a un ostacolo.

Arresto del prodotto (LC 551SP, LC 551VQ)

- Per arrestare la sola trazione, rilasciare l'impugnatura di comando.

- Per spegnere il motore, rilasciare l'impugnatura del freno motore.

Arresto del prodotto (LC 551VBP)

- Per arrestare la sola trazione, rilasciare l'impugnatura di comando.
- Per arrestare il motore, portare il comando dell'acceleratore nella posizione di arresto.

Per ottenere un buon risultato

- Utilizzare sempre una lama ben affilata. Una lama non tagliente fornisce un risultato irregolare e la superficie di taglio dell'erba ingiallisce. Una lama affilata inoltre consuma minore energia di una lama affilata.
- Non tagliare più di $\frac{1}{3}$ dell'altezza dell'erba. Iniziare l'operazione di taglio impostando l'altezza di taglio su un livello alto. Esaminare il risultato e ridurre l'altezza di taglio al livello applicabile. Se l'erba è molto alta, procedere lentamente e tagliarla 2 volte, se necessario.
- Tagliare sempre in direzioni diverse per evitare il formarsi di strisce sul prato.
- Mantenere pulito il coperchio di taglio. L'accumulo di erba e sporcizia sul lato interno del coperchio di taglio può ridurre il risultato del taglio. Fare riferimento a *Per pulire la superficie interna del coperchio di taglio alla pagina 180.*

Manutenzione

Introduzione



AVVERTENZA: Prima di svolgere la manutenzione, leggere e comprendere il capitolo relativo alla sicurezza.

Per tutti gli interventi di assistenza e riparazione sul prodotto, è necessaria una formazione specifica. La nostra azienda garantisce la disponibilità di personale qualificato per le riparazioni e l'assistenza. Se non avete acquistato il prodotto presso un rivenditore dotato di officina, informatevi sull'ubicazione della più vicina officina autorizzata.

Per ulteriori informazioni dettagliate, fare riferimento a www.husqvarna.com.

Programma di manutenzione



ATTENZIONE: Accertarsi che il filtro dell'aria sia in alto e non a terra quando si inclina il prodotto. Rischio di avarie al motore.

Gli intervalli di manutenzione sono calcolati sulla base di un uso quotidiano del prodotto. Gli intervalli cambiano se il prodotto non viene usato quotidianamente.

Per gli interventi di manutenzione contrassegnati con il simbolo *, fare riferimento alle istruzioni in *Dispositivi di sicurezza sul prodotto alla pagina 175.*

Manutenzione	Giornaliera	Una volta a settimana	Una volta al mese
Effettuare un'ispezione generale	X		
Controllare il livello dell'olio	X		

Manutenzione	Giornaliera	Una volta a settimana	Una volta al mese
Pulire il prodotto	X		
Controllare l'attrezzatura di taglio	X		
Controllare il coperchio di taglio *	X		
Controllare l'impugnatura del freno motore * LC 551SP, LC 551VQ	X		
Esaminare il comando del freno della lama * LC 551VBP	X		
Controllare la marmitta *		X	
Controllare la candela		X	
Cambiare l'olio (la prima volta dopo 5 ore, successivamente dopo ogni 50 ore di funzionamento e annualmente)			X
Pulire o sostituire il filtro dell'aria			X
Controllare il sistema di alimentazione			X

Ispezione generale

- Controllare che tutti i dadi e le viti del prodotto siano serrati correttamente.

Pulizia del prodotto

- Pulire le parti in plastica con un panno pulito e asciutto.
- Non utilizzare acqua per pulire il prodotto. L'acqua può penetrare nella batteria o nel motore e causare un corto circuito o danni al prodotto.
- Non utilizzare idropultrici per pulire il prodotto.
- Non dirigere getti d'acqua sul motore.
- Utilizzare una spazzola per rimuovere foglie, erba e sporczia.
- Rimuovere il coperchio della frizione, utilizzare una spazzola per rimuovere l'erba sotto il coperchio della frizione. (LC 551VBP)

Per pulire la superficie interna del coperchio di taglio

- Svuotare il serbatoio del carburante.
- Collocare il prodotto su un lato con la marmitta rivolta verso il basso.



ATTENZIONE: Se il prodotto è stato collocato con il filtro dell'aria rivolto verso il basso, il motore potrebbe danneggiarsi.

- Lavare la superficie interna del coperchio di taglio con acqua.

Per controllare l'attrezzatura di taglio



AVVERTENZA: Per evitare l'avviamento accidentale del prodotto, rimuovere il cavo di accensione dalla candela.



AVVERTENZA: Indossare guanti protettivi quando si esegue la manutenzione dell'attrezzatura di taglio. La lama è molto affilata e ci si può ferire facilmente.

- Controllare l'attrezzatura di taglio per individuare danni o crepe. Sostituire sempre l'attrezzatura di taglio danneggiata.
- Osservare la lama per controllare che non sia danneggiata o usurata.

Nota: Dopo l'affilatura la lama deve essere bilanciata. Rivolgersi a un centro assistenza per l'affilatura, la sostituzione e il bilanciamento. Se si urta un ostacolo che provoca l'arresto del prodotto, sostituire la lama danneggiata. Il centro di assistenza può valutare se la lama può essere affilata o deve essere sostituita.

Per sostituire la lama

- Bloccare la lama con un blocco di legno. (Fig. 50)
- Rimuovere il bullone della lama.
- Rimuovere la lama.
- Esaminare il supporto e il bullone della lama per verificare che non siano danneggiati.
- Esaminare l'albero motore per accertarsi che non sia piegato.

6. Quando si fissa la nuova lama, assicurarsi che gli angoli della lama puntino in direzione del coperchio di taglio. (Fig. 51)
7. Assicurarsi che la lama sia allineata con il centro dell'albero motore.
8. Bloccare la lama con un blocco di legno. (Fig. 52)
9. Montare la lama.
 - a) Sul modello LC 551SP, LC 551VQ, fissare la rondella reggispinta e serrare il bullone e la rondella a una coppia di 70 Nm.
 - b) Sul modello LC 551VBP, serrare i bulloni a una coppia di 50 Nm. (Fig. 53)
10. Girare manualmente la lama per verificare che possa ruotare liberamente.



AVVERTENZA: Utilizzare dei guanti da lavoro spessi. La lama è molto affilata e ci si può ferire facilmente.

11. Avviare il prodotto per eseguire una prova della lama. Se la lama non è collegata correttamente, si verificano delle vibrazioni nel prodotto o il risultato del taglio è insoddisfacente.

Controllo del livello dell'olio



ATTENZIONE: Se il livello dell'olio è troppo basso si possono verificare danni al motore. Controllare il livello dell'olio prima di avviare il prodotto.

1. Posizionare il prodotto su un terreno in piano.
2. Rimuovere il tappo del serbatoio dell'olio con l'annessa asta di livello.
3. Pulire l'olio dall'astina di livello.
4. Inserire completamente l'asta di livello nel serbatoio dell'olio. Serrare il tappo del serbatoio dell'olio per assicurarsi di avere la misura corretta del livello dell'olio.
5. Rimuovere l'asta di livello.
6. Controllare il livello dell'olio sull'asta di livello.
7. Se il livello dell'olio è basso, rabboccare con olio motore ed eseguire nuovamente un controllo del livello dell'olio.

(Fig. 54)

Nota: Utilizzare un imbuto per evitare fuoriuscite.

Cambio dell'olio motore



AVVERTENZA: L'olio motore è molto caldo subito dopo lo spegnimento del motore. Lasciare che il motore si raffreddi prima di scaricare l'olio motore. Se si versa

accidentalmente dell'olio motore sulla pelle, lavare con acqua e sapone.

(Fig. 55)

1. Rimuovere il cavo di accensione dalla candela.
2. Rimuovere il tappo del serbatoio dell'olio.
3. Scaricare l'olio motore.
 - a) Per i modelli con tappo di drenaggio dell'olio: Posizionare un recipiente sotto il tappo di drenaggio dell'olio per raccogliere l'olio motore.
 - b) Per i modelli senza tappo di drenaggio dell'olio o se non è possibile posizionare un contenitore sotto il tappo di drenaggio dell'olio: Utilizzare una pompa per olio (accessorio) per scaricare l'olio motore dal serbatoio.
4. Riempire con nuovo olio motore del tipo raccomandato in *Dati tecnici alla pagina 183*.
5. Eseguire il controllo del livello dell'olio. Fare riferimento a *Controllo del livello dell'olio alla pagina 181*.

Rabbocco e cambio dell'olio motore

- Per informazioni su come rabboccare e cambiare l'olio motore, fare riferimento alla sezione del manuale operatore dedicata al motore.

Pulizia e sostituzione del filtro dell'aria (LC 5551SP, LC 551VBP)

- Per informazioni su come pulire e sostituire il filtro dell'aria, fare riferimento alla sezione del manuale operatore dedicata al motore.

Rimozione e installazione del filtro dell'aria (LC 551VQ)



AVVERTENZA: Usare guanti protettivi.

1. Spingere i fermi sul coperchio del filtro dell'aria.
2. Rimuovere con cautela il coperchio del filtro dell'aria (A) dal motore.
3. Rimuovere il filtro dell'aria (B) e il filtro in schiuma (C). (Fig. 56)
4. Controllare la presenza di eventuali danni al filtro dell'aria. Sostituire un filtro dell'aria danneggiato.
5. Pulire e esaminare il filtro dell'aria. Fare riferimento a *Pulizia del filtro dell'aria (LC 551VQ) alla pagina 181*.
6. Montare, seguendo i passaggi nell'ordine inverso.

Pulizia del filtro dell'aria (LC 551VQ)



ATTENZIONE: Non azionare il motore senza filtro dell'aria collegato o se il filtro dell'aria è ostruito.



ATTENZIONE: Sostituire il filtro dell'aria se non può essere completamente pulito o se è danneggiato. Un filtro dell'aria difettoso provoca danni al motore.

1. Spingere le linguette del dispositivo di chiusura (A), rimuovere il coperchio del filtro dell'aria (B) e rimuovere il filtro dell'aria (C). (Fig. 57)
2. Colpire il filtro dell'aria contro una superficie dura o soffiare l'aria compressa attraverso il filtro dell'aria dal lato pulito.



ATTENZIONE: Non utilizzare una spazzola per rimuovere la sporcizia in quanto quest'ultima potrebbe essere spinta nel filtro dell'aria.

3. Pulire il portafiltro dell'aria (D) e il coperchio del filtro dell'aria con un panno umido.



ATTENZIONE: Assicurarsi che non penetri sporcizia all'interno del condotto dell'aria (E).

4. Montare il filtro dell'aria. Assicurarsi che il filtro dell'aria sia correttamente a tenuta rispetto al portafiltro dell'aria.
5. Installare prima il coperchio del filtro dell'aria con le linguette inferiori.

Per esaminare la candela



ATTENZIONE: Usare candele originali o del tipo raccomandato. Un tipo di candela errato può danneggiare il prodotto.

- Controllare la candela nel caso in cui il motore giri a bassa potenza, risulti difficile da avviare o non funzioni correttamente al regime minimo.

- Per ridurre il rischio di accumulo di materiale superfluo sugli elettrodi delle candele, osservare le seguenti istruzioni:

- a) Accertarsi che il regime minimo sia regolato correttamente.
- b) Accertarsi che la miscela sia corretta.
- c) Accertarsi che il filtro dell'aria sia pulito.

- Se la candela è incrostata, pulirla e controllare che la distanza tra gli elettrodi sia corretta; vedere *Dati tecnici alla pagina 183*. (Fig. 58)
- Sostituire la candela secondo necessità.

Per controllare il sistema di alimentazione

- Esaminare il tappo del serbatoio del carburante e la relativa guarnizione di tenuta per verificare che non vi siano danni.
- Esaminare il tubo pescante per accertarsi che non presenti perdite. Se il tubo pescante è danneggiato, farlo sostituire presso un'officina.

Regolazione del controllo del regime e del comando dell'acceleratore

Il comando dell'acceleratore regola la velocità di marcia. Il comando dell'acceleratore regola il regime del motore.



ATTENZIONE: Non regolare il controllo del regime quando il motore è acceso.

1. Per regolare la velocità di marcia, girare la vite di regolazione (A) in modo da regolare la lunghezza della guaina del cavo. Accorciare la guaina del cavo per aumentare la velocità di marcia.
2. Se non può essere inserita la posizione di starter o di arresto, regolare il regime del motore. Girare la vite di regolazione (B). (Fig. 59)

Trasporto, stoccaggio e smaltimento

Trasporto e conservazione

- Per trasportare e conservare il prodotto e il carburante, accertarsi che non vi siano perdite o fumi. Scintille o fiamme aperte, provocate ad esempio da dispositivi elettrici o caldaie, possono innescare un incendio.
- Utilizzare sempre contenitori approvati per la conservazione e il trasporto del carburante.
- Svuotare il serbatoio del carburante prima di riporre il prodotto per un lungo periodo di tempo. Smaltire il carburante presso un apposito centro di smaltimento
- Fissare in sicurezza il prodotto durante il trasporto per evitare danni o incidenti.
- Conservare il prodotto in un'area chiusa a chiave per impedire l'accesso a bambini o persone non autorizzate.

- Conservare il prodotto in un luogo asciutto e al riparo dal gelo.

Smaltimento

- Rispettare le norme locali sul riciclaggio e le normative vigenti.
- Smaltire tutte le sostanze chimiche, quali olio motore o carburante, presso un centro assistenza o un centro di smaltimento applicabili.
- Quando il prodotto non è più in uso, inviarlo a un rivenditore Husqvarna o smaltirlo presso un impianto di riciclo.

Dati tecnici

	LC 551SP	LC 551VBP	LC 551VQ
Motore			
Marchio	Kawasaki	Kawasaki	Husqvarna
Modello	FJ180V	FJ180V	HS 166AP
Tipo di motore	Cilindro singolo, 4 tempi, raffreddamento ad aria forzata, OHV	Cilindro singolo, 4 tempi, raffreddamento ad aria forzata, OHV	Cilindro singolo, 4 tempi, raffreddamento ad aria forzata, OHV
Cilindrata, cm ³	179	179	166
Velocità, giri/min	2800	2800	2800
Potenza nominale motore, kW ⁶¹	2,9	2,9	2,7
Impianto di accensione			
Candela	NGK BPR5ES	NGK BPR5ES	Husqvarna HQT-7
Distanza tra gli elettrodi, mm	0,6-0,8	0,6-0,8	0,7-0,8
Carburante e sistema di lubrificazione			
Tipo lubrificante del motore	Pressione con filtro dell'olio	Pressione con filtro dell'olio	Lubrificazione per sbattimento
Capacità serbatoio carburante, L	1,9	1,9	1,5
Capacità del serbatoio dell'olio, L	0,7	0,7	0,5
Olio motore ⁶²	Husqvarna SAE 30	Husqvarna SAE 30	Husqvarna SAE 30
Peso			
Con serbatoi vuoti, kg	48,5	52,5	51,0
Emissioni di rumore ⁶³			
Livello di potenza acustica, misurato dB(A)	97	96	97
Livello acustico, garantito L _{WA} dB(A)	98	98	98
Livelli di rumorosità ⁶⁴			
Livello di pressione acustica all'orecchio dell'operatore, dB(A)	87	84	86

⁶¹ La potenza nominale del motore indicata corrisponde alla potenza netta media (al rapporto giri/min specificato) di un tipico motore in fase di produzione per il modello di motore misurato dalla normativa SAE J1349/ISO1585. I motori per produzione di massa potrebbero presentare un valore diverso da questo. La potenza effettiva del motore installato nel prodotto finale dipende dalla velocità di funzionamento, dalle condizioni ambientali e da altri valori.

⁶² Se l'olio SAE-30 viene utilizzato a temperature inferiori a +5 °C, vi è il rischio che non lubrifichi sufficientemente il motore. Ciò può causare danni al motore. Fare riferimento a *Cambio dell'olio motore alla pagina 181* per informazioni sull'olio corretto da utilizzare in presenza di basse temperature.

⁶³ Emissioni di rumore nell'ambiente misurate come potenza sonora (L_{WA}) in base alla direttiva CE 2000/14/CE.

⁶⁴ Livello di pressione acustica in ottemperanza alla norma ISO 5395. I dati riportati per il livello di pressione acustica hanno una dispersione statistica tipica (deviazione standard) di 1,2 dB(A).

	LC 551SP	LC 551VBP	LC 551VQ
Livelli di vibrazioni ⁶⁵			
Impugnatura, m/s ²	4,5	4,5	3,2
Attrezzatura di taglio			
Altezza di taglio, mm	26-74	26-74	26-74
Larghezza di taglio, mm	510	510	510
Lama	Raccolta	Raccolta	Raccolta
Codice articolo	5875908-10	5821494-10	5875908-10
Capacità del sacco raccoglierba, l	65	65	65
Trazione			
Velocità, km/h	4,1	2,8-5	2,8-5

⁶⁵ Livello di vibrazioni in base alla norma ISO 5395. I dati riportati per il livello di vibrazioni presentano una dispersione statistica tipica (deviazione standard) di 0,2 m/s².

Dichiarazione di conformità

Dichiarazione di conformità UE

Husqvarna AB, SE-561 82 Huskvarna, Svezia, tel.:
+46-36-146500, dichiara sotto la propria esclusiva
responsabilità che il prodotto indicato:

Descrizione	Tagliaerba
Marchio	Husqvarna
Tipo / Modello	LC 551SP, LC 551VBP, LC 551VQ
Identificazione	Numeri di serie a partire da 2022 e successivi

È pienamente conforme alle seguenti norme e direttive
UE:

Regolamento	Descrizione
2006/42/CE	"sulle macchine"
2014/30/UE	"sulla compatibilità elettromagnetica"
2000/14/CE	"sull'emissione di rumore nell'ambiente"
2011/65/UE	"sulle restrizioni dell'uso di determinate sostanze pericolose nelle apparecchiature elettriche ed elettroniche"

e che sono applicati gli standard e/o le specifiche
tecniche seguenti: EN ISO 5395-1:2013/A1:2018,
EN ISO 5395-2:2013/A1:2016/A2:2017, EN ISO
14982:2009, EN IEC 63000:2018

Organo competente: 0404, RISE SMP Svensk
Maskinprovning AB, Box 4053, SE-904 03 Umeå,
Sweden ha certificato la conformità alla Direttiva del
Consiglio 2000/14/CE, procedura di valutazione della
conformità: Allegato VI

Per informazioni sulle emissioni acustiche, fare
riferimento a *Dati tecnici alla pagina 183*.

Huskvarna, 2022-09-29



Claes Lossdal, Responsabile sviluppo/Prodotti da
giardino, Husqvarna AB

Responsabile della documentazione tecnica



目次

はじめに.....	186	メンテナンス.....	192
安全性.....	187	搬送、保管、廃棄.....	195
組立.....	190	主要諸元.....	196
Operation(動作).....	191	適合宣言.....	198

はじめに

製品の説明

本製品は、手押し式ロータリー芝刈機です。芝はグラスキャッチャーに収集されます。芝を後方排出方式にするには、グラスキャッチャーを取り外してください。刈った芝を肥料にするにはマルチキット (アクセサリー) を取り付けてください。

製品の概要

(図 1)

1. エンジンブレーキハンドル
2. ハンドル / ハンドルバー
3. 速度制御
4. ドライブベイル
5. スターターロープハンドル
6. グラスキャッチャー
7. ハンドル高さ調整
8. 刈高制御

製品の概要

(図 2)

1. ハンドル / ハンドルバー
2. ブレードブレーキコントロール (LC 551VBP)
3. スピードコントロール / スロットルコントロール (LC 551VBP)
4. ドライブベイル (LC 551VBP)
5. 始動抑制装置 (LC 551VBP)
6. スターターロープハンドル
7. グラスキャッチャー
8. ハンドル高さ調整
9. 刈高制御
10. オイルレベルゲージ / オイルタンク
11. カuttingカバー
12. マフラー
13. スパークプラグ
14. エアフィルター
15. 燃料タンク
16. 後部カバー
17. エンジンブレーキハンドル (LC 551SP)
18. スロットルコントロール (LC 551SP)
19. ドライブベイル (LC 551SP)
20. 取扱説明書

用途

本製品は芝刈り用です。他の作業に本製品を使用しないでください。

9. オイルレベルゲージ / オイルタンク
10. カuttingカバー
11. マフラー
12. スパークプラグ
13. エアフィルター
14. 燃料タンク
15. 後部カバー
16. 取扱説明書

製品に表記されるシンボルマーク

- (図 3) 不注意な取り扱いや誤った取り扱いは作業者や周囲の人などに傷害を与え、時には致命的な傷害を引き起こすことがあります。
- (図 4) この取扱説明書をよくお読みになり、内容をしっかりと把握したうえで、使用してください。
- (図 5) 作業領域からは人や動物との安全な距離を保ってください。
- (図 6) 修理やメンテナンスを行う前に、エンジンを切り、イグニッションケーブルを外してください。
- (図 7) オイル
- (図 8) 高速
- (図 9) 低速
- (図 10) エンジンの停止

- (図 11) チョーク
- (図 12) ブレードクラッチ
- (図 13) 飛び散ったり跳ね返ってくる物体に気をつけてください。
- (図 14) 回転しているブレードに手や足を近づけないでください。
- (図 15) 回転している部品に手や足を近づけないでください。
- (図 16) この製品は EU 指令適合製品です。
- (図 17) 本製品の保証書響レベルは次の場所とラベルに記載されています：
- (図 18) 環境に対する騒音レベルは EC 指令と英国の指令および規制、ニューサウスウェールズの法規「Protection of the Environment Operations (Noise Control) Regulation 2017」に準拠しています。本製品の保証書響レベルは次の場所とラベルに記載されています： *主要諸元 196* ページ。
- (図 19) エンジンの排気ガスには、無臭で有毒な危険性の高いガスである一酸化炭素が含まれます。屋内または閉鎖された空間で運転しないでください。
- (図 20) 屋内または閉鎖された空間で運転しないでください。
- (図 21) 爆発の危険性。
- (図 22) 高温の表面
- (図 23) エンジンにオイルは入っていません。
- (図 24) 本製品を使用する前にオイルを充填してください。
- (図 25) E85 燃料は使用しないでください。
- (図 26) 本製品を裸火から遠ざけてください。
- (図 27) スキャン用のコード

注記： 本製品に付いている他のシンボル / 銘板は、市場固有の法的要件を示します。

ユーロ V 排出規制



警告： エンジンを改造すると、この製品の EC 型式認証が無効になります。

製造物責任

製造物責任法に基づき、当社は、次の場合については本製品を原因とする損傷について責任を負いません。

- 本製品が誤って修理された場合。
- メーカーによるものではない部品、またはメーカーの認可していない部品を使用して本製品を修理した場合。
- メーカーによるものではないアクセサリ、またはメーカーの認可していないアクセサリを本製品に使用した場合。
- 認定サービスセンターまたは認定機関で本製品が修理されていない場合。

安全性

安全性の定義

警告、注意、注記は、取扱説明書の特に重要な部分を示しています。



警告： 取扱説明書の指示に従わない場合、使用者が負傷したり、死亡したりするが、あるいは付近の人に損傷を与える危険があることを意味します。



注意： 取扱説明書の指示に従わない場合、製品や他の物品、または隣接するエリアに損傷を与える危険があることを意味します。

注記： 特定の状況で必要とされる詳細情報を提供するために使用されます。

一般的な安全注意事項



警告： 本製品を使用する前に、以下の警告指示をお読みください。

- 本製品は、慎重かつ適切に使用しないと、危険な道具となります。安全注意事項に従わないと、負傷や死亡事故が発生するおそれがあります。
- 本製品では、運転中に電磁場が発生します。この電磁場は、ある条件下でアクティブ、またはパッシブな医療用インプラントに影響を及ぼすことがあります。深刻な傷害または致命傷の危険を避けるため、医療用インプラントを使用している方は、本製品を使用する前に主治医および医療用インプラントの製造元に相談することをお勧めします。

安全な作業



警告： 本製品を使用する前に、以下の警告指示をお読みください。

- 本製品は芝生刈りにのみ使用してください。他の作業には使用できません。
- 身体保護具を使用してください。使用者の身体保護具 189 ページを参照してください。
- 緊急時にエンジンをすばやく停止する方法を必ず確認してください。
- 閉鎖された空間または可燃性物質の近くでエンジンを始動しないでください。エンジンの排気ガスは高温で火花を含むことがあり、火災発生の原因となります。
- ブレードやすべてのカバーを適切に装着してから本製品を始動させてください。ブレードが適切に装着されていないと、緩んで、怪我をすることがあります。
- ブレードが石や根などの物体にぶつからないように気を付けてください。ブレードが損傷したり、エンジンシャフトが曲がったりするおそれがあります。シャフトが曲がると振動が激しくなり、ブレードが緩む危険性が非常に高くなります。
- ブレードが物に当たったり振動が発生したりした場合は、すぐに本製品を停止してください。スパークプラグからイグニッションケーブルを外してください。製品に損傷がないか点検します。損傷部を修復するか、正規サービス代理店に修理を依頼してください。
- エンジンの始動時は、エンジンブレーキハンドルをハンドルに完全に固定しないでください。
- 製品を平らで安定した面に置き、始動します。ブレードが地面やその他の物に触れないよう、注意してください。
- 本製品の操作時は、必ず製品の後ろに立ってください。
- 製品を操作するときは、すべてのホイールを地面につけ、両手でハンドルをつかんで操作してください。回転しているブレードに手や足を近づけないでください。
- エンジンの作動中は、本製品を傾けないでください。
- 製品を後方に引くときは注意してください。
- エンジンの作動中は、本製品を持ち上げないでください。エンジンを持ち上げる必要がある場合は、最初にエンジンを停止し、スパークプラグからイグニッションケーブルを取り外してください。
- 本製品を操作するときは、後ろ向きに歩かないでください。
- 砂利、石、アスファルトなど、芝面以外の領域を横切るときは、エンジンを停止してください。
- エンジンの作動中は、本製品を操作しながら走らないでください。製品を操作するときは、必ず歩いてください。
- 刈高を変更する場合は、まずエンジンを停止してください。エンジンが作動している状態での調整は決して行わないでください。

- 常に常識に基づいて注意して使用してください。特殊な状況での本製品の操作方法がわからない場合、作業を続ける前に本製品を停止して、Husqvarna 販売店までご連絡ください。
- 第三者やその所有物が事故に関係する場合、その責任は、作業員にあることを忘れないでください。
- 本製品は清潔に保ってください。標識やラベルがはつきりと読み取れるようにしてください。
- 取扱説明書を読んで内容を理解した人にも本製品を使用させてください。
- 子供に本製品を操作させないでください。
- 子供を作業エリアに近づけないでください。責任を有する大人が常にそばにいる必要があります。
- 指示を理解していない人に本製品を操作させないでください。
- 身体的、精神的にハンデを負った人が本製品を使用する場合は常に監視してください。責任を有する大人が常にそばにいる必要があります。
- 疲労時、疾病時、アルコールや医薬品の影響が残っているときは、本製品を使用しないでください。視力、注意力、動作、判断力に悪影響を与えます。
- 本製品に不具合がある場合は使用しないでください。
- 本製品を改造しないでください。また、本製品が改造されている可能性がある場合は使用しないでください。
- エンジンの速度制御の調整を変更しないでください。

作業エリアの安全



警告： 本製品を使用する前に、以下の警告指示をお読みください。

- 本製品を使用する前に、大小の枝や石などの物体を作業範囲から取り除いてください。
- カッティング装置にぶつかった物体がはじかれて、人が怪我をしたり物が損傷したりするおそれがあります。本製品から周囲の人や動物との安全な距離を保ってください。
- 霧、雨、強風、極寒、雷の危険などの悪天候下で本製品を使用しないでください。悪天候下や、湿気のある場所、濡れた場所では本製品を使用すると疲労します。悪天候の場合、路面が滑りやすくなるなど、危険な状態を引き起こすことがあります。
- 製品の安全な操作を妨げる可能性がある人、物、状況に注意してください。
- 根、石、小枝、窪み、溝などの障害物に注意してください。長い芝の中に障害物が隠れていることがあります。
- 斜面で芝を刈ることは危険を伴います。15 度を超える斜面では、本製品を使用しないでください。
- 斜面を横切りながら本製品を操作してください。上下に移動しないでください。
- 陰になった隅や視界を遮るものに近づくときは気を付けてください。

- エンジンが作動している状態で、見えない場所に製品を放置しないでください。エンジンを停止し、カッティング装置が回転していないことを確認してください。

操作のための安全注意事項

使用者の身体保護具



警告： 本製品を使用する前に、以下の警告指示をお読みください。

- 身体保護具で怪我を完全に防止できるわけではありませんが、万が一事故が起こった場合、負傷の度合いを軽減することができます。適切な保護具の選択については、販売店にご相談ください。
- 騒音レベルが 85 dB を超える場合は、イヤマフを使用してください。
- 丈夫で滑りやすいブーツや靴を着用してください。開放部の多い靴を使用したり、裸足で作業を行ったりしないでください。
- 厚手の長ズボンを着用してください。
- カッティング装置の取り付け、点検、清掃を行う場合は、必要に応じて保護グローブを着用してください。

本製品の安全装置



警告： 本製品を使用する前に、以下の警告指示をお読みください。

- 損傷している、または正しく動作していない安全装置を取り付けた状態で、製品を使用しないでください。
- 安全装置は定期的に点検してください。安全装置が損傷している、または正しく動作していない場合は、Husqvarna サービス代理店にお問い合わせください。
- 安全装置は改造しないでください。

カッティングカバーの点検方法

カッティングカバーは、本製品の振動を抑え、ブレードで負傷する危険性を低減します。

- カッティングカバーを点検して、亀裂などの損傷がないことを確認してください。

エンジンブレーキハンドルの点検 (LC 551SP, LC 551VQ)

エンジンブレーキハンドルは、エンジンを停止させるためのものです。エンジンブレーキハンドルを放すと、エンジンが停止します。

- エンジンを始動して、エンジンブレーキハンドルを放します。エンジンが 3 秒で停止しない場合は、Husqvarna の認証サービス代理店にエンジンブレーキの調整を依頼してください。(図 28)

ブレードブレーキコントロールと始動抑制装置の点検 (LC 551VBP)

ブレードブレーキコントロールは、エンジンではなくブレードのみを停止します。ブレードブレーキコントロールを放すと、ブレードが停止します。

- エンジンを始動します。
- ハンドルバーの方向にブレードブレーキコントロールを押します。始動抑制装置により動きが停止します。
- 始動抑制装置を押します。
- ハンドルバーの方向にブレードブレーキコントロールを押します。ブレードが回転します。
- ブレードブレーキコントロールを放します。ブレードが 3 秒で停止しない場合は、Husqvarna の認証サービス代理店にブレードブレーキの調整を依頼してください。(図 29)
- 始動抑制装置が元の位置に戻ることを確認します。

マフラー

マフラーは騒音レベルを最小限に抑え、排気ガスを作業者から遠ざける働きをします。

マフラーがない場合や損傷がある場合は、製品を使用しないでください。マフラーに損傷があると、騒音レベルと火災発生の危険が増加します。



警告： 使用中、使用直後およびエンジンがアイドリング速度で稼働しているときはマフラーが高温になります。可燃性の材料やガスの近くでは火災に注意してください。

マフラーの点検方法

- マフラーを定期的に点検して、正しく取り付けられているか、損傷していないかを確認してください。

燃料の安全について



警告： 本製品を使用する前に、以下の警告指示をお読みください。

- 本製品に燃料やエンジンオイルが付着している場合は始動しないでください。不要な燃料やオイルを本製品から除去し、乾かしてください。
- 衣服にガソリンをこぼした場合は、すぐに着替えてください。
- 燃料が身体に付着しないようにしてください。負傷する場合があります。身体に燃料が付着した場合は、石鹸と水を使用して燃料を洗い流してください。
- エンジンに漏れがある場合は、本製品を始動しないでください。エンジンに漏れがないかどうかは定期的に点検してください。
- 燃料に注意してください。燃料は可燃性で蒸気には爆発性があるため、負傷や死亡に至ることがあります。

- 燃料の蒸気を吸引しないでください。負傷の原因になることがあります。十分な空気の流れを確保してください。
- 燃料やエンジンのそばで喫煙しないでください。
- 燃料やエンジンのそばに温かい物を置かないでください。
- エンジンの稼働中は、燃料を補充しないでください。
- 燃料の補充は、エンジンが冷えてからにしてください。
- 燃料を補充する前に、燃料タンクのキャップを開けて慎重に圧力を解放してください。
- 屋内でエンジンに燃料を補充しないでください。十分な空気の流れがないと、窒息や一酸化炭素中毒によって負傷や死亡に至ることがあります。
- 燃料タンクキャップを完全に締め込んでください。燃料タンクキャップが締め込まれていない場合、火災発生の危険があります。
- 始動する前に、燃料を充填した場所から本製品を 3 m (10 フィート) 以上移動させてください。
- 燃料タンクいっぱいには充填しないでください。高温になると、燃料が膨張します。燃料タンクの上部に余裕があるようにください。
- エンジンの排気ガスには、無臭で有毒な危険性の高いガスである一酸化炭素が含まれます。屋内または閉鎖された空間でエンジンを始動しないでください。
- 本製品のメンテナンスを実施する前に、エンジンを停止し、スパークプラグからイグニッションケーブルを取り外してください。
- カutting装置のメンテナンスを実施するときは、保護グローブを使用してください。ブレードは非常に鋭いため、切り傷を負う危険性があります。
- メーカーが認可していないアクセサリーの使用や本製品の改造は、重傷や死亡事故の原因となるおそれがあります。本製品を改造しないでください。必ず、メーカー認可済みのアクセサリーを使用してください。
- メンテナンスが正しく定期的な実施されていない場合は、負傷や本製品の損傷の危険性が高まります。
- 取扱説明書に記載されているメンテナンスのみを実施してください。他のすべてのサービス作業は、Husqvarna の認証サービス代理店が実施する必要があります。
- Husqvarna の認証サービス代理店で定期的に本製品のサービス作業を実施する必要があります。
- 損傷、摩耗、破損した部品は交換してください。

メンテナンスのための安全注意事項



警告： 本製品を使用する前に、以下の警告指示をお読みください。

組立

はじめに



警告： 本製品を組み立てる前に、安全に関する章をお読みになり、内容を理解してください。



警告： 本製品を組み立てる前に、スパークプラグからスパークプラグケーブルを取りはずしてください。

ハンドルの組み立て

1. 製品の左側と右側にある下部のノブを緩めます。プラスチックワッシャーがハンドルブラケットの溝にはまっていることを確認します。(図 30)
2. 図のように、ハンドルを前方に倒します。(図 31)
 - a) プラスチックワッシャーがハンドルとハンドルブラケットの間にあることを確認します。
 - b) ハンドルをハンドルブラケットに取り付けます。
3. ハンドルを起こします。(図 32)
4. ノブを完全に締め込みます。ハンドルの高さの調節については、次を参照：[ハンドルの高さの調節方法](#) 190 ページ。

5. ケーブルブラケットにワイヤーを取り付けます。コードがねじれていないことを確認します。ケーブルブラケットをハンドルに取り付けます。(図 33)
6. ケーブルタイで、ケーブルをハンドルブラケットに取り付けます。(図 34)

ハンドルの高さの調節方法

1. 下側ノブを緩めます。
2. 本製品の左右にある溝の下端までノブを動かします。(図 35)
3. ハンドルを 1 か 2 のいずれかの高さにセットします。
4. ノブをハンドルバーの方向に、カチツと音がして止まるまで上方に動かします。(図 36)
5. ノブを完全に締め込みます。

製品を搬送位置にセットする方法

1. グラスキャッチャーを取り外します。
2. 下側ノブを緩めます。
3. 本製品の左右にある溝の下端までノブを動かします。(図 35)
4. ハンドルを前側に折り畳みます。(図 37)

製品を操作位置にセットする方法

1. ハンドルバーを起こします。(図 32)
2. ノブをハンドルバーの方向に、カチッと音がして止まるまで上方に動かします。(図 36)
3. ノブを完全に締め込みます。

グラスキャッチャーの組み付け方法

1. グラスキャッチャーフレームを、バッグ下部の硬質な部分に取り付けます。フレームのハンドルがグラスバッグの上になるようにします。(図 38)
2. グラスキャッチャーフレームの下部をグラスバッグの下部に取り付けます。(図 39)
 - a) グラスキャッチャーフレームを溝にはめます。図のように、右側から取り付けて、左へゆっくりと動かします。
3. グラスキャッチャーフレームが取り付けづらい場合は、ラバーマレットで、グラスキャッチャーフレームを慎重に押し込みます。グラスキャッチャーフレームは、補強部位の間に取り付けます。(図 40)
4. グラスバッグをグラスキャッチャーフレームにクリップで取り付けます。(図 41)
5. 後部カバーを持ち上げます。

6. グラスキャッチャーをシャーシの上端に取り付けます。
7. グラスキャッチャーの下部を芝の排出口に入れます。(図 42)

マルチプラグ(別売り)の組み立て方法

1. 後部カバーを持ち上げてグラスキャッチャーを取り外します。
2. 排出口にマルチプラグを取り付けます。(図 43)
3. ブレードを、マルチキット同梱のマルチブレードに取り替えます。ブレードの交換 194 ページを参照してください。

グラスキャッチャーやマルチプラグを取り付けずに芝を刈る方法

- 後部カバーを持ち上げてグラスキャッチャーを取り外します。
- マルチプラグとマルチブレードが取り付けられている場合は、取り外します。
- 製品を操作する前に、後部カバーを閉じてください。

製品を操作すると、刈り取られた芝が後部カバーの下に排出されます。

Operation (動作)

はじめに



警告： 本製品を操作する前に、安全に関する章をお読みになり、内容を理解してください。

Husqvarna Connect

Husqvarna Connect は、モバイルデバイス用の無料アプリです。Husqvarna Connect アプリは、お持ちの Husqvarna 製品の拡張機能を提供します。

- 拡張製品情報。
- 製品の部品とサービスに関する情報とヘルプ。

Husqvarna Connect の使い方

1. Husqvarna Connect アプリをモバイルデバイスにダウンロードします。
2. Husqvarna Connect アプリで登録を行います。
3. Husqvarna Connect アプリの指示に沿って、製品を接続して登録します。

本製品を操作する前に

1. この取扱説明書をよくお読みになり、内容をしっかりと把握してください。
2. カutting装置を点検し、正しく取り付けられ、調整されていることを確認します。Cutting装置の点検方法 193 ページを参照してください。
3. 燃料タンクを充填します。燃料の充填方法 191 ページを参照してください。

4. オイルタンクにオイルを注入し、油面をチェックします。オイルレベルのチェック 194 ページを参照してください。

燃料の充填方法

使用可能な場合は、低排出 / アキレートガソリンを使用してください。低排出 / アキレートガソリンを使用できない場合は、高品質の無鉛プレミアムガソリンを使用するか、オクタン価が 90 以上の無鉛ガソリンを使用してください。



注意： オクタン価が 90 RON (87 AKI) 未満のガソリンは使用しないでください。本製品が損傷する場合があります。

1. 燃料タンクキャップをゆっくりと開いて、圧力を解放します。
2. 燃料缶を使用してゆっくりと補充してください。燃料をこぼした場合は、布で拭き取り、残った燃料を乾燥させてください。(図 44)
3. 燃料タンクキャップの周囲をきれいにしてください。
4. 燃料タンクキャップを完全に締め込んでください。燃料タンクキャップが締め込まれていない場合、火災発生の危険があります。
5. 始動する前に燃料を入れた場所から本製品を 3 m (10 フィート) 以上移動させてください。

刈高の設定

刈高は 6 段階に調節できます。

1. 刈高を上げるには、刈高コントロールをホイールの方向に押してから後方に押しします。
2. 刈高を下げるには、刈高コントロールをホイールの方向に押してから前方に押しします。(図 45)



注意： 刈高を低く設定しすぎないでください。芝生の表面が水平でない場合、ブレードが地面に当たるおそれがあります。

本製品の始動方法 (LC 551VQ)

1. イグニッションケーブルがスパークプラグに接続されていることを確認してください。
2. 製品の後ろに立ってください。
3. エンジンブレーキハンドルをハンドルバーの方へ引きします。(図 46)
4. 右手でスターターロープハンドルを握ります。
5. 抵抗を感じるまで、スターターロープをゆっくりと引き出します。
6. 力を入れて引き、エンジンを始動します。

本製品の始動方法 (LC 551SP, LC 551VBP)

1. イグニッションケーブルがスパークプラグに接続されていることを確認してください。
2. 製品の後ろに立ってください。
3. スロットルコントロールを調整します。
 - a) エンジンが冷えている場合は、スロットルコントロールをチョークの位置に設定します。(図 47)
 - b) エンジンが暖まっている場合は、スロットルコントロールをチョーク位置にしないでください。
4. モデル LC 551SP では、エンジンブレーキハンドルをハンドルバーの方へ引きします。(図 46)
5. 右手でスターターロープハンドルを握ります。
6. 抵抗を感じるまで、スターターロープをゆっくりと引き出します。
7. 力を入れて引き、エンジンを始動します。
8. スロットルコントロールをフルスロットルの位置にセットします。
9. モデル LC 551VBP :
 - a) 始動抑制装置を外します。

- b) ハンドルバーの方向にブレードブレーキコントロールを押し、ブレードを始動します。

ドライブホイールの使用方法

- ハンドルバーの方向にドライブペイルを引きます。(図 48)
- モデル LC 551VQ およびモデル LC 551VBP : ハンドルの左側にあるスピードコントロールで、ドライブの速度を調整します。スピードコントロールを前方に動かすと速度が上がリ、後方に動かすと速度が下がります。(図 49)
- ドライブを解除し、製品を約 10 cm 前方に押してから、製品を後ろ向きに引きます。
- 障害物に近づいたときなどは、ドライブペイルを放してドライブを解除します。

本製品の停止方法 (LC 551SP, LC 551VQ)

- ドライブのみを停止するには、ドライブペイルを解除します。
- エンジンを停止するには、エンジンブレーキハンドルを放します。

本製品の停止方法(LC 551VBP)

- ドライブのみを停止するには、ドライブペイルを解除します。
- エンジンを停止するには、スロットルコントロールを停止位置に動かします。

良好に芝を刈る方法

- 必ず鋭利なブレードを使用してください。ブレードが鈍っていると、刈り取りにばらつきが出て、芝の切口が黄ばみます。鋭利なブレードを使用すると、鈍いブレードを使用した場合より労力が少なくて済みます。
- 芝の長さの $\frac{1}{3}$ 以上刈らないでください。まず刈高を高く設定して刈ります。結果を確認し、必要なレベルまで刈高を下げます。芝がかなり長い場合は、ゆっくり運転し、必要に応じて刈り取り作業を 2 回行ないます。
- 1 回目と 2 回目は別の方向に向かって刈り、芝面に筋がつかないようにします。
- カットングカバーの汚れは落としてください。カットングカバーの内側に草や土がたまると芝刈りの結果が悪くなります。カットングカバーの内側の表面を清掃するには 193 ページを参照してください。

メンテナンス

はじめに



警告： メンテナンスを行う前に、安全に関する章をお読みにになり、内容を理解してください。

本製品のすべての整備と修理作業には、特別な訓練が必要で、当社では責任をもって専門的な修理と整備作業を提供します。お客様の販売店がサービス代理店でない場合は、最寄りのサービス代理店に関する情報をお問い合わせください。

詳しくは、www.husqvarna.com を参照してください。

メンテナンスのスケジュール

してください。エンジンが損傷する可能性があります。



注意： 製品を傾けるときは、エアフィルターを上向きにし、地面に接触しないように

メンテナンス間隔は、本製品が毎日使用されることを前提に算出されています。本製品を毎日使用しない場合は、メンテナンス間隔が変わります。

「*」が付いているメンテナンスについては、次を参照：本製品の安全装置 189 ページ。

メンテナンス	毎日	毎週	毎月
一般点検の実施	X		
油面の点検	X		
製品の清掃	X		
カッティング装置の点検	X		
カッティングカバーの点検*	X		
エンジンプレーキハンドルの点検* LC 551SP, LC 551VQ	X		
ブレードプレーキコントロールの点検* LC 551VBP	X		
マフラーの点検*		X	
スパークプラグの点検		X	
オイルの交換 (最初は 5 時間の使用後、その後は 50 時間の使用ごと、年に 1 回)			X
エアフィルターの清掃または交換			X
燃料システムの点検			X

一般点検の実施方法

- 本製品のナットとネジがしっかりと締め込まれていることを確認してください。

製品の清掃

- プラスチック部品は清潔で乾燥した布で清掃してください。
- 本製品を水で洗淨しないでください。バッテリーやモーターに水が浸入して、本製品が短絡したり、破損したりする原因となります。
- 本製品の清掃には高圧水を使用しないでください。
- モーターに直接水をかけないでください。
- ブラシで、葉、草、土を取り除いてください。
- クラッチカバーを取り外し、ブラシを使用してクラッチカバーの下の草を除去します。(LC 551VBP)

カッティングカバーの内側の表面を清掃するには

- 燃料タンクを空にします。
- マフラーを下にして、製品を横向きに置きます。



注意： 製品にエアフィルターを取り付けている場合は、エンジンが破損することがあります。

- ホースを使ってカッティングカバーの内側の表面を水で洗淨します。

カッティング装置の点検方法



警告： 誤って始動しないように、イグニッションケーブルをスパークプラグから取り外します。



警告： カッティング装置のメンテナンスを実施するときは、保護グローブを着用してください。ブレードは非常に鋭利なため、切り傷を負う危険性があります。

- カッティング装置に損傷やひび割れがないかどうか点検してください。損傷したカッティング装置は必ず交換してください。
- ブレードが破損していないか、鈍くなっていないかを確認してください。

注記： ブレードの目立て後は、ブレードのバランス調整が必要です。サービスセンターに依頼して、ブレードの目立て、交換、バランス調整を受けてください。製品が障害物に当たって停止した場合は、破損したブレードを交換してください。サービスセンターに依頼して、ブレードの目立てが可能かどうか、交換が必要かどうかを判断してもらってください。

ブレードの交換

1. ブレードを木製ブロックでロックします。(図 50)
2. ブレードボルトを取り外します。
3. ブレードを外します。
4. ブレードサポートとブレードボルトに破損がないか点検します。
5. エンジンシャフトが曲がっていないかことを点検します。
6. 新しいブレードを取り付けるときは、ブレードの角度がついた部分をカッティングカバー方向に向けます。(図 51)
7. ブレードがエンジンシャフトの中心と合っていることを確認します。
8. ブレードを木製ブロックでロックします。(図 52)
9. ブレードを取り付けます。
 - a) モデル LC 551SP、LC 551VQ では、スプリングワッシャーを取り付け、ボルトとワッシャーを 70 Nm のトルクで締め付けます。
 - b) モデル LC 551VBP では、50 Nm のトルクでボルトを締め付けます。(図 53)
10. 手でブレードを引き回して、引っかかりなく回転することを確認します。



警告： 丈夫な作業用手袋を着用してください。ブレードは非常に鋭利なため、負傷する危険性があります。

11. 製品を始動してブレードのテストを実施します。ブレードが正しく取り付けられていない場合、製品に振動が発生するが、良好な刈り取り結果を得られません。

オイルレベルのチェック



注意： 油面が低すぎると、エンジンが損傷することがあります。製品を始動する前に油面を点検してください。

1. 本製品を水平面に置きます。
2. オイルレベルゲージが付いているオイルタンクキャップを取り外します。
3. オイルレベルゲージのオイルを拭き取ります。
4. オイルレベルゲージをオイルタンクに完全に入れます。オイルタンクキャップを締め、油面の正しい状況がわかるようにします。
5. オイルレベルゲージを外します。

6. オイルレベルゲージで油面を点検します。
7. 油面が低すぎる場合は、エンジンオイルを充填し、もう一度油面をチェックします。

(図 54)

注記： 飛び散らないようにじょうごを使用します。

エンジンオイルの交換



警告： エンジンの停止直後は、エンジンオイルが非常に高温になっています。エンジンオイル排出前にエンジンを冷ましてください。エンジンオイルが皮膚に触れた場合は、石鹸と水で洗ってください。

(図 55)

1. スパークプラグからイグニッションケーブルを取り外します。
2. オイルタンクキャップを取り外します。
3. エンジンオイルを排出します。
 - a) オイルドレンプラグ付きモデルの場合：エンジンオイルを収集するためにオイルドレンプラグの下にコンテナを置きます。
 - b) オイルドレンプラグが付いていないモデル、またはオイルドレンプラグの下にコンテナを置けない場合：オイルポンプ（アクセサリ）を使用してオイルタンクからエンジンオイルを抜き取ります。
4. 以下で推奨されているタイプの新しいエンジンオイルを充填します：*主要諸元 196* ページ。
5. 油面をチェックします。参照：*オイルレベルのチェック 194* ページ。

エンジンオイルの十分および交換方法

- エンジンオイルの充填と交換の方法については、エンジンの取扱説明書を参照してください。

エアフィルターの清掃と交換 (LC 5551SP, LC 551VBP)

- エアフィルターの清掃と交換の方法については、エンジンの取扱説明書を参照してください。

エアフィルターの取り外しと取り付け (LC 551VQ)



警告： 保護グローブを着用してください。

1. エアフィルターカバーのクリップを押します。
2. エンジンからエアフィルターカバー (A) を慎重に取り外します。

- エアフィルター（B）とフォームフィルター（C）を取り外します。（図 56）
- エアフィルターに損傷がないことを確認します。破損したエアフィルターを交換します。
- エアフィルターを清掃して点検します。参照：エアフィルターの清掃（LC 551VQ）195 ページ。
- 逆の手順で取り付けます。

エアフィルターの清掃 (LC 551VQ)



注意： エアフィルターが取り付けられていない状態、またはエアフィルターが汚れている状態でエンジンを運転しないでください。



注意： エアフィルターがきれいにならない場合、または損傷している場合は、交換します。エアフィルターに不具合があると、エンジンの損傷の原因となります。

- ラッチタブ（A）を押し、エアフィルターカバー（B）を外して、エアフィルター（C）を取り外します。（図 57）
- エアフィルターを硬い面に当てるか、エアフィルターのきれいな側からエアフィルターに圧縮空気を吹き付けます。



注意： ブラシで汚れを取り除くことはできません。エアフィルターにほこりが押し込まれます。

- 湿らせた布で、エアフィルターホルダー（D）とエアフィルターカバーを拭きます。



注意： エアダクト（E）に土が入らないようにしてください。

- エアフィルターを取り付けます。エアフィルターとエアフィルターホルダーの間に隙間ができないようにしてください。
- エアフィルターカバーは、下のタブから取り付けます。

スパークプラグを点検するには



注意： 必ず、推奨されている種類のスパークプラグを使用してください。スパークプラグの種類が間違っていると、本製品が破損するおそれがあります。

- エンジンのパワーが出ない、なかなか始動しない、またはアイドリング速度で適切に動作しない場合は、スパークプラグを点検します。
- スパークプラグ電極に異物が付着するリスクを下げるには、次の手順に従います。
 - アイドリング速度が正しく調整されていることを確認します。
 - 適切な燃料混合物を使用していることを確認します。
 - エアフィルターに汚れがないことを確認します。
- スパークプラグが汚れていたら、きれいにしてから電極ギャップが適切であることを確認します。主要 諸元 196 ページを参照してください。（図 58）
- 必要に応じてスパークプラグを交換します。

燃料システムを点検するには

- 燃料タンクキャップと燃料タンクキャップのシールを確認し、破損していないことを確認します。
- 燃料ホースを点検し、漏れがないことを確認します。燃料ホースが破損している場合は、サービス代理店に交換を依頼してください。

スピードコントロールおよびスロットルコントロールの調整方法

スピードコントロールはドライブ速度を調整します。スロットルコントロールは、エンジン速度を調整します。



注意： エンジンの稼働中は、スピードコントロールを調整しないでください。

- ドライブ速度を調整するには、調整ネジ（A）を回してシース付きケーブルの長さを調整します。ドライブ速度を上げるには、ケーブルのシースを短くします。
- チョークの位置または停止位置にならない場合は、エンジン速度を調整します。調整ネジ（B）を回します。（図 59）

搬送、保管、廃棄

搬送と保管

- 本製品と燃料を保管、搬送する場合は、漏れや煙がないことを確認してください。電気装置やボイラー

などからの火花や裸火により、火災が発生する場合があります。

- 燃料を保管、搬送する場合は必ず、認証されたコンテナを使用してください。

- 本製品を長期間、保管場所に入れる場合は、燃料タンクを空にしてください。燃料は適切な廃棄場所に廃棄してください。
- 搬送中は本製品を安全に接続して、損傷や事故を防止してください。
- 本製品は鍵のかかる場所に保管して、子供や許可を得ていない人が近づけないようにしてください。
- 本製品は、乾燥した霜の降りない場所に保管します。

廃棄

- 地域のリサイクル要件および適用される法規に従ってください。
- すべての化学物質（エンジンオイルや燃料など）はサービスセンターまたは適切な廃棄場所に廃棄してください。
- 本製品が不要になった場合は、Husqvarna 販売店に送付するか、リサイクル施設で廃棄してください。

主要諸元

	LC 551SP	LC 551VBP	LC 551VQ
エンジン			
ブランド	カワサキ	カワサキ	Husqvarna
機種	FJ180V	FJ180V	HS 166AP
エンジンタイプ	1 シリンダー、4 ストローク、強制空冷、OHV	1 シリンダー、4 ストローク、強制空冷、OHV	1 シリンダー、4 ストローク、強制空冷、OHV
排気量、cm ³	179	179	166
回転速度、r/min	2800	2800	2800
公称エンジン出力、kW ⁶⁶	2.9	2.9	2.7
イグニションシステム			
スパークプラグ	NGK BPR5ES	NGK BPR5ES	ハスクバーナ HQT-7
電極ギャップ、mm	0.6 ~ 0.8	0.6 ~ 0.8	0.7 ~ 0.8
燃料および潤滑システム			
エンジンの潤滑タイプ	オイルフィルター使用時の圧力	オイルフィルター使用時の圧力	はねかけ式
燃料タンクの容量、リットル	1.9	1.9	1.5
オイルタンク容量、リットル	0.7	0.7	0.5
エンジンオイル ⁶⁷	ハスクバーナ SAE 30	ハスクバーナ SAE 30	ハスクバーナ SAE 30
質量			
燃料タンクが空の場合 (kg)	48.5	52.5	51.0
騒音排出⁶⁸			
音響パワーレベル、測定 dB (A)	97	96	97

⁶⁶ 表示エンジンの電気定格は、(指定 r/min での) 平均実質電気出力で、SAE 基準 J1349/ISO1585 で測定したエンジンモデル向けの一般生産エンジンに対応しています。大量生産用エンジンは、この値と異なることがあります。最終製品に据え付けたエンジンの実際の電気出力は、運転スピード、環境状態およびその他の値によって異なります。

⁶⁷ +5 °C 以下の気温で SAE-30 オイルを使用した場合、エンジンが十分に潤滑されない可能性があります。これにより、エンジンが損傷するおそれがあります。参照：エンジンオイルの交換 194 ページ (低温に適したオイルについて)。

⁶⁸ 環境における騒音の排出は、EC 指令 2000/14/EC に従って、音響パワー (L_{WA}) として測定。

	LC 551SP	LC 551VBP	LC 551VQ
音響パワーレベル、保証 L_{WA} dB (A)	98	98	98
サウンドレベル ⁶⁹			
使用者の耳における音圧レベル (dB (A))	87	84	86
振動レベル ⁷⁰			
ハンドル、 m/s^2	4.5	4.5	3.2
カッティング装置			
刈高、mm	26 ~ 74	26 ~ 74	26 ~ 74
刈幅、mm	510	510	510
ブレード	コレクター	コレクター	コレクター
製品番号	5875908-10	5821494-10	5875908-10
グラスキャッチャー容量、リットル	65	65	65
ドライブ			
速度、km/h	4.1	2.8 ~ 5	2.8 ~ 5

⁶⁹ 騒音音圧レベルは ISO 5395 に準拠。報告データによれば、騒音音圧レベルの一般的な統計上のばらつき (標準偏差) は、1.2 dB (A) です。

⁷⁰ 振動レベルは ISO 5395 に準拠。報告データによれば、等価振動レベルの一般的な統計上のばらつき (標準偏差) は、0.2 m/s^2 です。

適合宣言

EU 適合宣言

ハスクバーナ社 (Husqvarna AB, SE-561 82 Huskvarna, Sweden、電話番号 : +46-36-146500) は、単独責任のもとで、以下の製品の適合を宣言します。

名称	芝刈機
ブランド	Husqvarna
タイプ / モデル	LC 551SP, LC 551VBP, LC 551VQ
ID	2022 年以降の製造番号

が以下の EU 指令および規制を完全に順守し、

規制	名称
2006/42/EC	「機械類に関する」
2014/30/EU	「電磁環境適合性に関する」
2000/14/EC	「環境への騒音排出に関する」
2011/65/EU	「電気・電子製品に含まれる特定有害物質の使用制限に関する」

および以下の規格または技術仕様が適用されています :
EN ISO 5395-1:2013/A1:2018, EN ISO 5395-2:2013/
A1:2016/A2:2017, EN ISO 14982:2009, EN IEC
63000:2018

試験機関 : 0404, RISE SMP Svensk Maskinprovning AB,
Box 4053, SE-904 03 Umeå, Sweden が評議会指令
2000/14/EC 適合性評価補足 VI の準拠を確認しました。

騒音排出に関する詳細 : 主要諸元 196 ページ。

Huskvarna, 2022-09-29



開発マネージャー / ガーデン製品担当 Claes Losdal,
Husqvarna AB

正式代表兼技術文書担当



TURINYS

Įvadas.....	199	Techninė priežiūra.....	205
Sauga.....	200	Transportavimas, saugojimas ir utilizavimas.....	208
Surinkimas.....	203	Techniniai duomenys.....	209
Naudojimas.....	204	Atitikties deklaracija.....	211

Įvadas

Gaminio aprašas

Šis produktas yra savaeigė sukamoji vejapjovė. Žolė renkama į žolės rinktuvą. Jei norite, kad žolė būtų išmetama per galą, išimkite žolės rinktuvą. Jei žolę norite susmulkinti kaip trąšas, pridėkite mulčiavimo priedą.

Gaminio apžvalga

(Pav. 1)

1. Variklio stabdymo rankena
2. Rankena / valdymo rankena
3. Greičio valdymas
4. Pavaros rankena
5. Starterio virvės rankena
6. Žolės rinktuvas
7. Reguliuojamas rankenų aukštis
8. Pjovimo aukščio valdiklis

Gaminio apžvalga

(Pav. 2)

1. Rankena / valdymo rankena
2. Pjovimo peilių stabdžio valdiklis (LC 551VBP)
3. Greičio valdymas / akceleratoriaus gaidukas (LC 551VBP)
4. Pavaros rankena (LC 551VBP)
5. Apsauga nuo netyčinio paleidimo (LC 551VBP)
6. Starterio virvės rankena
7. Žolės rinktuvas
8. Reguliuojamas rankenų aukštis
9. Pjovimo aukščio valdiklis
10. Alyvos lygio matuoklis / alyvos bakelis
11. Pjovimo gaubtas
12. Duslintuvas
13. Degimo žvakė
14. Oro filtras
15. Degalų bakelis
16. Galinis gaubtas
17. Variklio stabdymo rankena (LC 551SP)
18. Akceleratoriaus gaidukas (LC 551SP)
19. Pavaros rankena (LC 551SP)
20. Naudojimo instrukcija

Numatytasis naudojimas

Gaminį naudokite žolei pjauti. Nenaudokite gaminio kitiems darbams.

9. Alyvos lygio matuoklis / alyvos bakelis
10. Pjovimo gaubtas
11. Duslintuvas
12. Degimo žvakė
13. Oro filtras
14. Degalų bakelis
15. Galinis gaubtas
16. Naudojimo instrukcija

Simboliai ant gaminio

- (Pav. 3) Aplaidžiai ar netinkamai naudojant gali būti rimtai ar net mirtinai sužalotas operatorius ar aplinkiniai.
- (Pav. 4) Prieš naudodami, atidžiai perskaitykite naudojimo instrukciją ir įsitikinkite, kad viską gerai supratote.
- (Pav. 5) Asmenims ir gyvūnams būtina laikytis saugaus atstumo nuo darbo zonos.
- (Pav. 6) Prieš taisydami ar prižiūrėdami sustabdykite variklį ir atjunkite uždegimo kabelį.
- (Pav. 7) Alyva
- (Pav. 8) Greitai
- (Pav. 9) Lėtai
- (Pav. 10) Variklio išjungimas

- (Pav. 11) Oro sklendė
- (Pav. 12) Disko sankaba
- (Pav. 13) Saugokitės išmetamų ir rikošetu atšokusių daiktų.
- (Pav. 14) Saugokite rankas bei kojas ir nekiškite jų prie besisukančio peilio.
- (Pav. 15) Saugokite rankas bei kojas ir nekiškite jų prie besisukančių dalių.
- (Pav. 16) Šis įrenginys atitinka jam taikomas EU direktyvas.
- (Pav. 17) Šis gaminys atitinka taikytinų JK reglamentų nuostatas.
- (Pav. 18) Triukšmo emisijos į aplinką ženkinimas atitinka ES ir Jungtinės Karalystės direktyvas bei reglamentus ir Naujojo Pietų Velso įstatymą „2017 m. aplinkos apsaugos (triukšmo kontrolės) reglamentas“. Gaminio garantuotasis garso galios lygis nurodytas *Techniniai duomenys psl. 209* ir etiketėje
- (Pav. 19) Variklio išmetamosiose dujose yra anglies monoksido – nuodingų, bekvapių ir labai pavojingų dujų. Nenaudokite įrenginio patalpose ar uždaroje erdvėse.
- (Pav. 20) Nenaudokite įrenginio patalpose ar uždaroje erdvėse.
- (Pav. 21) Sprogimo pavojus.

- (Pav. 22) Karštas paviršius
- (Pav. 23) Variklis pristatomas be alyvos.
- (Pav. 24) Prieš naudodami įrenginį, pripilkite alyvos.
- (Pav. 25) Nenaudokite E85 degalų.
- (Pav. 26) Saugokite gaminį nuo atviros liepsnos.
- (Pav. 27) Nuskaitomas kodas.

Pasižymėkite: Kiti ant gaminio esantys simboliai / atvaizdai atitinka konkrečios rinkos teisinius reikalavimus.

„Euro V“ standartas



PERSPĖJIMAS: Variklio modifikavimas panaikina šio produkto ES tipo patvirtinimą.

Atsakomybė už gaminį

Kaip nurodyta atsakomybės už gaminį įstatymuose, mes nesame atsakingi už mūsų gaminio sukeltą žalą, jei:

- gaminys netinkamai suremontuotas;
- gaminys suremontuotas naudojant kito gamintojo arba gamintojo nepatvirtintas dalis;
- gaminys turi kito gamintojo arba gamintojo nepatvirtintą priedą;
- gaminys suremontuotas ne patvirtintame techninės priežiūros centre arba jį suremontavo ne patvirtintas atstovas.

Sauga

Saugos ženklų reikšmės

Įspėjimai, perspėjimai ir pastabos yra skirtos atkreipti dėmesį į ypač svarbias vadovo dalis.



PERSPĖJIMAS: Naudojamas, kai naudotojai ar šalia esantiems asmenims kyla mirtino arba sunkaus sužeidimo pavojus arba, jei nesilaikoma vadove pateiktų nurodymų.



PASTABA: Naudojamas, kai kyla pavojus sugadinti gaminį, kitas medžiagas arba padaryti žalą aplinkai, jei nesilaikoma vadove pateiktų nurodymų.

Pasižymėkite: Naudojamas papildomai informacijai apie konkrečią situaciją pateikti.

Bendrieji saugos nurodymai



PERSPĖJIMAS: Prieš naudodami gaminį, perskaitykite toliau esančius įspėjimus.

- Netinkamai arba neatidžiai naudojant šis gaminys yra pavojingas. Jei nesilaikysite saugos nurodymų, kyla sužeidimų arba mirties pavojus.
- Šis gaminys veikdamas sukuria elektromagnetinį lauką. Tam tikromis aplinkybėmis šis laukas gali trikdyti aktyviųjų arba pasyviųjų medicininių implantų veiklą. Kad sumažėtų sunkių ar mirtinų sužeidimų

pavojus, medicininių implantų turintiems asmenims rekomenduojame prieš naudojant šį gaminį pasitarti su gydytoju ir implanto gamintoju.

- Visada elkitės atsargiai ir vadovaukitės sveiku protu. Jei tiksliai nežinote, kaip naudoti gaminį konkrečioje situacijoje, sustabdykite darbą ir prieš tęsdami darbą pasitarkite su „Husqvarna“ pardavimo atstovu.
- Atsiminkite, kad už nelaimingus atsitikimus, kurių metu nukentės asmenys ar turtas, bus atsakingas naudotojas.
- Rūpinkitės gaminio švara. Įsitinkite, kad aiškiai perskaitėte ženklus ir lipdukus.
- Neleiskite kitiems naudotis gaminiu, jei neįsitikinote, kad jie perskaitė ir suprato naudojimo instrukcijos turinį.
- Neleiskite gaminio naudoti vaikams.
- Pasirūpinkite, kad vaikai būtų toliau nuo darbo zonos. Būtina nuolatinė atsakingo suaugusiojo priežiūra.
- Neleiskite gaminio naudoti su instrukcijomis nesusipažinusiems asmenims.
- Visada prižiūrėkite gaminį naudojančią fizinę arba protinę negalią turintį asmenį. Būtina nuolatinė atsakingo suaugusiojo priežiūra.
- Neekspluatuokite gaminio, jeigu esate pavargę, sergate, vartojate alkoholio, narkotikų ar vaistų. Tai neįgijamai veikia jūsų regėjimą, nuovoką ar koordinaciją.
- Neekspluatuokite gaminio, jei jis sugadintas.
- Nekeiskite gaminio ir nenaudokite jo, jei jį galėjo pakeisti kiti.
- Nekeiskite variklio greičio valdymo reguliavimo.

Sauga darbo vietoje



PERSPĖJIMAS: Prieš naudodami gaminį, perskaitykite toliau esančius įspėjimus.

- Prieš naudodami gaminį nuo darbo zonos pašalinkite tokius objektus, kaip šakos, šakelės ir akmenys.
- Atsitrenkę į pjovimo įrangą objektai gali atšokti ir sužeisti asmenis bei sugadinti daiktus. Šalia esantiems asmenims ir gyvūnams būtina laikytis saugaus atstumo nuo gaminio.
- Gaminio niekuomet nenaudokite blogu oru, pvz., kai pakyla rūkas, lyja, pučia stiprus vėjas, stipriai šąla ir gali žaibuoti. Darbas gaminiu blogu oru arba drėgnose ar šlapiose vietose yra varginantis. Blogu oru gali susidaryti pavojingos sąlygos, pvz., slidūs paviršiai.
- Saugokitės asmenų, daiktų ir tam tikrų situacijų kurios gali neleisti saugiai naudoti gaminio.
- Saugokitės kliūčių, pvz., šaknų, akmenų, šakelių, duobių ir griovių. Aukštoje žolėje kliūtys gali būti nematomos.
- Gali būti pavojinga pjauti žolę įkalnėse. Nenaudokite gaminio, jei šlaitas yra statenesis nei 15°.

- Šlaitus pjaukite skersai. Nevažiukite į viršų ir žemyn.
- Būkite atsargūs artėdami prie nematomų kampų ir daiktų, kurie užstoja vaizdą.

Darbo sauga



PERSPĖJIMAS: Prieš naudodami gaminį, perskaitykite toliau esančius įspėjimus.

- Gaminį naudokite tik veją žolei pjauti. Neleidžiama jo naudoti kitoms užduotims atlikti.
- Naudokite asmenines apsaugines priemones. Žr. *Asmeninės apsauginės priemonės psl. 202.*
- Įsitinkite, kad žinote, kaip greitai sustabdyti variklį nelaimės atveju.
- Niekada neužveskite variklio uždaroje erdvėje ar netoli degių medžiagų. Variklio išmetamosios dujos yra karštos, jose gali būti kibirkščių, kurios gali sukelti gaisrą.
- Nenaudokite gaminio tinkamai neuždengę peilio ir neuždėję kitų dangčių. Netinkamai uždėtas peilis gali atsilaisvinti ir sužeisti.
- Užtikrinkite, kad peilis neatsitrenktų į tokius objektus, kaip akmenys ir šaknys. Tai gali sugadinti peilį ir sulenkti variklio veleną. Sulenkta ašis sukelia didelę vibraciją ir kyla didžiulis pavojus, kad peilis atsilaisvins.
- Jei į peilį atsitrenkia objektas arba susidaro vibracijos, nedelsdami sustabdykite gaminį. Atjunkite uždegimo kabelį nuo uždegimo žvakės. Patikrinkite, ar gaminys neapgadintas. Pataisykite sugadintas dalis arba remonto darbus perleiskite įgaliotajam techninės priežiūros atstovui.
- Niekada neprijunkite variklio stabdžio rankenos prie rankenos visam laikui, kai variklis veikia.
- Padėkite gaminį ant stabilaus, plokščio paviršiaus ir paleiskite jį. Patikrinkite, ar peilis neliečia žemės ar kokių kitų daiktų.
- Visada būkite už gaminio, kai jį naudojate.
- Prižiūrėkite, kad visi ratukai būtų ant žemės ir abi rankas laikykite ant rankenos, kai naudojate gaminį. Saugokite rankas bei kojas ir neikiškite jų prie besisukančių peilių.
- Dirbant varikliui nepakreipkite gaminio.
- Būkite atsargūs, kai gaminį traukiate atgal.
- Dirbant varikliui nepakelkite gaminio. Jei gaminį turite pakelti, pirmiausia sustabdykite variklį ir atjunkite uždegimo kabelį nuo uždegimo žvakės.
- Naudodami gaminį neikite atgal.
- Veždami įrenginį per zonas be žolės, pvz., žvirgždo, akmenų ir asfalto takelius, sustabdykite variklį.
- Dirbant varikliui nebėkite su gaminiu. Naudodami gaminį visada eikite.
- Prieš pakeisdami pjovimo aukštį pirmiausia išjunkite variklį. Draudžiama reguliuoti, kai veikia variklis.

- Niekada nepaleiskite gaminio iš akių, kai veikia variklis. Išjunkite variklį ir įsitikinkite, kad pjovimo įrangą nesisuka.

Naudojimo saugos instrukcijos

Asmeninės apsauginės priemonės



PERSPĖJIMAS: Prieš naudodami gaminį, perskaitykite toliau esančius įspėjimus.

- Asmeninės apsauginės priemonės nepadės visiškai išvengti pavojaus susižeisti, tačiau nelaimingo atsitikimo atveju mažiau nukentėsite. Leiskite prekybos atstovui padėti pasirinkti tinkamą įrangą.
- Jei triukšmo lygis viršija 85 dB, naudokite klausos apsaugą
- Avėkite patvarius, neslystančius batus. Neavėkite atvirų batų ir nebūkite basi.
- Dėvėkite storas, ilgas kelnes.
- Kai būtina, pvz., montuojant, apžiūrint arba valant pjovimo įrangą, užsimaukite apsaugines pirštines.

Gaminio apsauginės priemonės



PERSPĖJIMAS: Prieš naudodami gaminį, perskaitykite toliau esančius įspėjimus.

- Nenaudokite gaminio su saugos įtaisais, kurie yra pažeisti arba tinkamai neveikia.
- Reguliariai tikrinkite saugos įtaisus. Jei saugos įtaisai pažeisti arba tinkamai neveikia, kreipkitės į Husqvarna techninės priežiūros atstovą.
- Nemodifikuokite saugos įtaisų.

Atlikite pjovimo gaubto patikrą.

Pjovimo gaubtas sumažina gaminio vibracijas ir sumažina disko keliamą sužeidimų pavojų.

- Apžiūrėkite pjovimo gaubtą, kad įsitikintumėte, jog nėra pažeidimų, pvz., įtrūkių.

Norėdami patikrinti variklio stabdžio rankeną (LC 551SP, LC 551VQ)

Variklio stabdžio rankena sustabdo variklį. Atleidus variklio stabdžio rankeną variklis sustoja.

- Paleiskite variklį, o tada atleiskite variklio stabdymo rankeną. Jei variklis nesustoja per 3 sekundes, paprašykite, kad įgaliotasis „Husqvarna“ techninės priežiūros atstovas sureguliuotų variklio rankeną. (Pav. 28)

Peilio stabdžio valdiklio ir apsaugos nuo netyčinio paleidimo tikrinimas (LC 551VBP)

Pjovimo peilių stabdžio valdiklis sustabdo tik peilį, bet ne variklį. Atleidus peilio stabdžio valdiklį peilis sustoja.

1. Paleiskite variklį.
2. Nuspauskite peilio stabdžio valdiklį link gaminio rankenos. Apsauga nuo netyčinio užvedimo neleidžia judėti.
3. Išstumkite apsaugą nuo netyčinio užvedimo.
4. Nuspauskite peilio stabdžio valdiklį link gaminio rankenos. Peilis pradeda sukstis.
5. Atleiskite peilio stabdžio valdiklį. Jei peilis nesustoja per 3 sekundes, paprašykite, kad įgaliotasis „Husqvarna“ techninės priežiūros atstovas sureguliuotų peilio rankeną. (Pav. 29)
6. Įsitikinkite, kad apsauga nuo netyčinio paleidimo grįžta į pradinę padėtį.

Duslintuvas

Duslintuvas iki minimumo sumažina triukšmo lygį ir nukreipia nuo naudotojo variklio išmetamąsias dujas.

Nenaudokite gaminio, jei nėra duslintuvo arba jis yra pažeistas. Esant pažeistam duslintuvui padidėja triukšmo lygis ir kyla gaisro pavojus.



PERSPĖJIMAS: Darbo metu ir tada, kai variklis veikia tuščiaja eiga, duslintuvas labai įkaista ir kurį laiką išlieka karštas. Elkities atsargiai su degiomis medžiagomis ir (arba) garais, kad išvengtumėte gaisro.

Duslintuvo patikra

- Norėdami įsitikinti, kad duslintuvas yra tinkamai pritvirtintas ir nėra pažeistas, jį tikrinkite reguliariai.

Degalų naudojimo sauga



PERSPĖJIMAS: Prieš naudodami gaminį, perskaitykite toliau esančius įspėjimus.

- Neužveskite gaminio, jei ant gaminio yra kuro arba variklio alyvos. Nuvalykite nepageidaujamą kurą / alyvą ir palaukite, kol gaminys išdžius.
- Apsipylę drabužius kuru nedelsiant persirenkite.
- Neapsipilkite kūno kuru, nes jis gali sužaloti. Apsipylę kūną kuru, jį nusiplaukite muilu ir vandeniui.
- Neužveskite gaminio, jei iš variklio sunkiasi skysčiai. Reguliariai tikrinkite, ar iš variklio nesisunkia skysčiai.
- Atsargiai elkities su kuru. Kuras yra degus, o jo garai – sprogūs, todėl neatsargiai elgiantis galima susižaloti arba žūti.
- Neįkvėpkite kuro garų, nes jie gali sužaloti. Pasirūpinkite tinkamu vėdinimu.
- Nerūkykite greta kuro arba variklio.
- Nedėkite šiltų objektų greta kuro arba variklio.
- Nepilkite kuro, kai variklis užvestas.
- Prieš pildami kurą įsitikinkite, ar variklis ataušęs.

- Prieš pildami kurą lėtai atidarykite kuro bakelio dangtelį ir atsargiai išleiskite slėgį.
- Nepilkite į variklį kuro būdami patalpoje. Dėl oro stygiaus galima susižaloti arba žūti uždusęs arba apsinuodijęs anglies monoksidu.
- Stipriai užsukite kuro bakelio dangtelį. Nepakankamai stipriai užsukus kuro bakelį kyla gaisro pavojus.
- Prieš pradėdami darbą patraukite gaminį mažiausiai 3 m / 10 pėdų nuo vietos, kurioje pylėte kurą.
- Nepripilkite sklidino kuro bakelio. Šildamas kuras plečiasi. Palikite vietos kuro bakelio viršuje.

Priežiūros saugos instrukcijos



PERSPĖJIMAS: Prieš naudodami gaminį, perskaitykite toliau esančius įspėjimus.

- Variklio išmetamosiose dujose yra anglies monoksido – nuodingų, bekvapių ir labai pavojingų dujų. Nepaleiskite variklio patalpose ar uždaroje erdvėje.

- Prieš atlikdami techninę gaminio priežiūrą, sustabdykite variklį ir atjunkite uždegimo kabelį nuo uždegimo žvakės.
- Pjovimo įrangos techninės priežiūros darbus atlikite apsimovę apsaugines pirštines. Peilis labai aštrus ir gali lengvai įpjauti.
- Gamintojo nepatvirtinti priedai ir gaminio pakeitimai gali rimtai ar net mirtinai sužeisti. Nekeiskite gaminio. Visada naudokite tik gamintojo patvirtintus priedus.
- Jei techninė priežiūra atliekama netinkamai ir nereguliariai, padidėja sužeidimų ir žalos gaminiui pavojus.
- Atlikite tik savininko vadove nurodytus techninės priežiūros darbus. Visus kitus techninės priežiūros darbus turi atlikti patvirtintas „Husqvarna“ techninės priežiūros atstovas.
- Patvirtintas „Husqvarna“ techninės priežiūros atstovas turi reguliariai atlikti gaminio techninę priežiūrą.
- Pakeiskite pažeistas, sulūžusias arba susidėvėjusias dalis.

Surinkimas

Įvadas



PERSPĖJIMAS: Prieš surinkdami įrenginį perskaitykite ir supraskite saugos skyriaus informaciją.



PERSPĖJIMAS: Prieš surinkdami gaminį nuo uždegimo žvakės nuimkite dangtelį.

Rankenos surinkimas

1. Atsukite apatines rankenėles gaminio kairėje ir dešinėje. Įsitinkinkite, kad plastikinė poverzlė yra rankenos laikiklio griovelyje. (Pav. 30)
2. Įstatykite rankeną užlenkę pirmyn kaip parodyta iliustracijoje. (Pav. 31)
 - a) Įsitinkinkite, kad plastikinė poverzlė yra tarp rankenos ir rankenos laikiklio.
 - b) Pritvirtinkite rankeną prie rankenos laikiklio.
3. Pakelkite rankeną. (Pav. 32)
4. Iki galo priveržkite rankenėles. Norėdami reguliuoti rankenos aukštį, žr. *Rankenos aukščio reguliavimas psl. 203*.
5. Įstatykite laidus į kabelių laikiklius. Įsitinkinkite, kad kabeliai nesusisukę. Pritvirtinkite kabelių laikiklius prie rankenų. (Pav. 33)
6. Pritvirtinkite kabelius prie rankenos laikiklio naudodami įvorę. (Pav. 34)

Rankenos aukščio reguliavimas

1. Atsukite apatines rankenėles.
2. Stumkite rankenėles iki apatinio griovelių krašto kairėje ir dešinėje produkto pusėje. (Pav. 35)
3. Nustatykite rankenos aukštį į vieną iš dviejų aukščio padėčių.
4. Stumkite rankenėles į viršų link rankenos, kol jos sustos ir išgirsite spragtelėjimą. (Pav. 36)
5. Iki galo priveržkite rankenėles.

Gaminio paruošimas transportuoti

1. Išimkite žolės rinktuvą.
2. Atsukite apatines rankenėles.
3. Stumkite rankenėles iki apatinio griovelių krašto kairėje ir dešinėje produkto pusėje. (Pav. 35)
4. Nulenkite rankeną pirmyn. (Pav. 37)

Produkto paruošimas transportuoti

1. Pakelkite rankeną. (Pav. 32)
2. Stumkite rankenėles į viršų link rankenos, kol jos sustos ir išgirsite spragtelėjimą. (Pav. 36)
3. Iki galo priveržkite rankenėles.

Žolės rinktuvo montavimas

1. Įdėkite žolės rinktuvo rėmą į žolės krepšį taip, kad standi krepšio dalis būtų apačioje. Rėmo rankeną laikykite žolės krepšio viršuje. (Pav. 38)

2. Pritvirtinkite žolės rinktuvo rėmo apačią prie žolės rinktuvo apačios. (Pav. 39)
 - a) Įstatykite žolės rinktuvo rėmą į griovelį. Pradėkite nuo dešinės pusės kaip parodyta iliustracijoje ir palaipsniui pereikite prie kairės pusės.
3. Jei žolės rinktuvą sunku pritvirtinti, švelniai stuktelėkite žolės rinktuvą guminiu plaktuku. Stuktelėkite žolės rinktuvo rėmą tarp sutvirtinimų. (Pav. 40)
4. Pritvirtinkite žolės krepšį prie žolės rinktuvo rėmo fiksatoriais. (Pav. 41)
5. Pakelkite galinį dangtelį.
6. Prikabinkite žolės rinktuvą prie viršutinio važiuoklės krašto.
7. Įdėkite apatinę žolės rinktuvo dalį į žolės išmetimo kanalą. (Pav. 42)

Mulčiavimo priedo montavimas (priedas)

1. Pakelkite galinį gaubtą ir išimkite žolės rinktuvą.

2. Įstatykite mulčiavimo priedą į išmetimo kanalą. (Pav. 43)
3. Pakeiskite peilį mulčiavimo peiliu, pridėdamu prie mulčiavimo rinkinio. Žr. *Disko keitimas psl. 206*.

Žolės pjovimas nenaudojant žolės rinktuvo arba mulčiavimo priedo

- Pakelkite galinį gaubtą ir išimkite žolės rinktuvą.
- Jei mulčiavimo priedas ir mulčiavimo peilis uždėti, nuimkite juos.
- Prieš naudodami gaminį, uždarykite galinį gaubtą.

Kai naudojate gaminį, nupjauta žolė išmetama po galiniu dangčiu.

Naudojimas

Įvadas



PERSPĖJIMAS: Prieš naudodami gaminį perskaitykite ir supraskite saugos skyriaus informaciją.

Husqvarna Connect

Husqvarna Connect yra nemokama programėlė, skirta mobiliesiems įrenginiams. Programėlė Husqvarna Connect suteikia Husqvarna gaminiui papildomas funkcijas:

- Papildoma informacija apie gaminį.
- Informacija ir patarimai apie gaminio dalis ir priežiūrą.

Norėdami pradėti naudoti Husqvarna Connect

1. Atsisiųskite „Husqvarna Connect“ programėlę į mobilųjį įrenginį.
2. Užsiregistruokite „Husqvarna Connect“ programėlėje.
3. Norėdami prisijungti ir užregistruoti gaminį, vykdykite „Husqvarna Connect“ programėlėje pateiktas instrukcijas.

Prieš naudodami gaminį

1. Atidžiai perskaitykite naudojimo instrukciją ir įsitikinkite, kad viską gerai supratote.
2. Apžiūrėkite pjovimo įrangą ir įsitikinkite, kad ji tinkamai prijungta ir sureguliuota. Žr. *Pjovimo įrangos patikrinimas psl. 206*.

3. Užpildykite kuro bakelį. Žr. *Degalų pripylimas psl. 204*.
4. Pripilkite alyvos bakelį ir patikrinkite alyvos lygį. Žr. *Alyvos lygio tikrinimas psl. 207*.

Degalų pripylimas

Jei įmanoma, naudokite ekologišką / alkilato benzina. Jei ekologiško / alkilato benzino naudoti negalite, naudokite geros kokybės bešvinį benzina arba benzina su švinu, kurio oktaninis skaičius ne mažesnis nei 90.



PASTABA: Nenaudokite benzino, kurio oktaninis skaičius yra mažesnis nei 90 RON (87 AKI). Antraip galima sugadinti gaminį.

1. Lėtai atsukite degalų bakelio dangtelį, kad sumažintumėte slėgį.
2. Lėtai pilkite iš degalų kanistro. Jei išliejate degalus, nuvalykite juos audiniu ir palaukite, kol likę degalai išdžiūs. (Pav. 44)
3. Nuvalykite sritį aplink degalų bakelio dangtelį.
4. Gerai uždarykite degalų bako dangtelį. Nepakankamai stipriai užsukus degalų bakelį kyla gaisro pavojus.
5. Prieš pradėdami darbą patraukite gaminį mažiausiai 3 m (10 pėdų) nuo vietos, kurioje pylėte degalus.

Pjovimo aukščio nustatymas

Galima nustatyti 6 pjovimo aukščio padėtis.

1. Pastumkite pjovimo aukščio valdiklį rato kryptimi ir atgal, kad padidintumėte pjovimo aukštį.

2. Pastumkite pjovimo aukščio valdiklį rato kryptimi ir pirmyn, kad sumažintumėte pjovimo aukštį. (Pav. 45)



PASTABA: Nenustatykite per žemo pjovimo aukščio. Peiliai gali užkliudyti žemę, jei vejos paviršius nelygus.

Gaminio paleidimas(LC 551VQ)

1. Įsitinkinkite, kada uždegimo kabelis prijungtas prie uždegimo žvakės.
2. Stovėkite už gaminio.
3. Laikykite variklio stabdymo rankeną prispaudę prie rankenos. (Pav. 46)
4. Dešine ranka laikykite starterio lynelį.
5. Lėtai patraukite starterio lynelį, kol pajusite pasipriešinimą.
6. Tada stipriai patraukite, kad paleistumėte variklį.

Gaminio paleidimas (LC 551SP, LC 551VBP)

1. Įsitinkinkite, kada uždegimo kabelis prijungtas prie uždegimo žvakės.
2. Stovėkite už gaminio.
3. Pareguliuokite oro sklendės rankenėlę.
 - a) Jeigu variklis šaltas, nustatykite akceleratoriaus rankenėlę į uždarytos oro sklendės padėtį. (Pav. 47)
 - b) Jeigu variklis šiltas, nenustatykite akceleratoriaus rankenėlės į uždarytos oro sklendės padėtį.
4. LC 551SP modelio atveju laikykite variklio stabdymo rankeną prispaudę prie rankenos. (Pav. 46)
5. Dešine ranka laikykite starterio lynelį.
6. Lėtai patraukite starterio lynelį, kol pajusite pasipriešinimą.
7. Tada stipriai patraukite, kad paleistumėte variklį.
8. Iki galo nuspauskite akceleratoriaus gaiduką.
9. LC 551VBP modelio atveju:
 - a) Atleiskite apsaugą nuo netyčinio paleidimo.
 - b) Patraukite peilio stabdžio valdiklį link rankenos, kad paleistumėte peilį.

Ratų pavaros naudojimas

- Pavaros rankeną pasukite rankenos kryptimi. (Pav. 48)
- LC 551VQ ir LC 551VBP modelių atveju: Pakoreguokite pavaros greitį greičio valdikliu, esančiu kairėje rankenos pusėje. Norėdami didinti greitį, stumkite greičio valdiklį į priekį, norėdami mažinti – traukite atgal. (Pav. 49)
- Prieš patraukdami produktą atgal, išjunkite pavarą ir pastumkite įrenginį į priekį apie 10 cm.
- Atleiskite pavaros rankeną, kad išjungtumėte pavarą, pvz., kai priartėjate prie kliūtis.

Gaminio sustabdymas (LC 551SP, LC 551VQ)

- Norėdami tik sustabdyti pavarą, atleiskite pavaros rankeną.
- Norėdami išjungti variklį, atleiskite variklio stabdymo rankeną.

Gaminio sustabdymas (LC 551VBP)

- Norėdami tik sustabdyti pavarą, atleiskite pavaros rankeną.
- Varikliui sustabdyti akceleratoriaus gaiduką nustatykite į stabdymo padėtį.

Gerų rezultatų gavimas

- Visada naudokite pagalastą peilį. Atšipęs peilis netaisyklingai nupjauna ir žolės paviršius pagelsta. Be to, atštrus peilis naudoja mažiau energijos nei atšipęs.
- Nepjaukite daugiau nei 1/3 žolės ilgio. Pirmiausia nupjaukite nustatę didelį aukštį. Patikrinkite rezultatai ir sumažinkite pjovimo aukštį iki tinkamo lygio. Jeigu žolė tikrai aukšta, judėkite lėtai ir, jei reikia, pjaukite 2 kartus.
- Kiekvieną kartą pjaukite skirtingomis kryptimis, kad vejoje nesusidarytų dryžiai.
- Pjovimo dangtis turi būti visuomet švarus. Prikibusi žolė ir purvas vidinėje pjovimo dangčio dalyje gali turėti įtakos pjovimo rezultatams. Žr. *Pjovimo įrangos gaubto vidinio paviršiaus valymas psl. 206.*

Techninė priežiūra

Įvadas



PERSPĖJIMAS: Prieš atlikdami priežiūros darbus perskaitykite ir supraskite saugos skyriaus informaciją.

Visiems gaminio techninės priežiūros ir remonto darbams reikia specialių apmokymų. Garantuojame profesionalaus remonto ir techninės priežiūros darbų

pasiekiamumą. Jei jūsų pardavėjas nėra techninės priežiūros atstovas, paprašykite jo informacijos apie artimiausią techninės priežiūros atstovą.

Išsamesnės informacijos žr. www.husqvarna.com.

Techninės priežiūros grafikas



PASTABA: Įsitinkinkite, kad oro filtras yra tinkamai įdėtas ir nesiglaudžia prie žemės, kai keliate gaminį. Pavojus sugadinti variklį.

Techninės priežiūros intervalai apskaičiuojami pagal kasdienį gaminio naudojimą. Intervalai keičiasi, jei gaminys nenaudojamas kasdien.

Techninės priežiūros informacijos, pažymėtos *, ieškokite instrukcijose *Gaminio apsauginės priemonės psl. 202.*

Techninė priežiūra	Kasdien	Kas savaitę	Kas mėnesį
Atlikti bendrąją apžiūrą	X		
Patikrinti alyvos lygį	X		
Gaminio valymas	X		
Patikrinti pjovimo įrangą	X		
Patikrinti pjovimo gaubtą *	X		
Patikrinti variklio stabdymo rankeną * LC 551SP, LC 551VQ	X		
Patikrinti peilio stabdžio valdiklį * LC 551VBP	X		
Patikrinti duslintuvą *		X	
Patikrinti uždegimo žvakę		X	
Pakeiskite alyvą (pirmą kartą po 5 naudojimo valandų, tada kas 50 naudojimo valandas ir kas metus)			X
Išvalyti arba pakeisti oro filtrą			X
Patikrinti degalų sistemą			X

Bendroji apžiūra

- Įsitinkinkite, kad gaminio veržlės ir varžtai yra tinkamai priveržti.

Gaminio valymas

- Plastikines dalis valykite švaria ir sausa šluoste.
- Valydami gaminį nenaudokite vandens. Vandeniui pateikus į akumuliatorių arba variklį gali įvykti trumpasis jungimas arba gaminys gali sugesti.
- Gaminio neplaukite aukšto slėgio pjovimo aparatu.
- Nepilkite vandens tiesiai ant variklio.
- Lapus, žolę ir purvą nuvalykite šepečiu.
- Nuimkite sankabos gaubtą ir šepečiu nuvalykite apačioje susikaupusią žolę. (LC 551VBP)

Pjovimo įrangos gaubto vidinio paviršiaus valymas

- Ištuštinkite kuro bakelį.
- Paverskite įrenginį ant šono ant duslintuvo.



PASTABA: Jei gaminį paversite ant oro filtro, galite sugadinti variklį.

- Vandeniui aplikite vidinį pjovimo įrangos gaubto paviršių.

Pjovimo įrangos patikrinimas



PERSPĖJIMAS: Kad įrangą netyčia nepasileistų, ištraukite uždegimo kabelį iš uždegimo žvakės.



PERSPĖJIMAS: Pjovimo įrangos techninės priežiūros darbus atlikite apsimovę apsaugines pirštines. Peilis labai aštrus ir gali lengvai įpjauti.

- Patikrinkite, ar pjovimo įrangą nepažeista ir neįskilusi. Visada pakeiskite pažeistą pjovimo įrangą.
- Apžiūrėkite peilį, ar jis nepažeistas ir neatšipęs.

Pasižymėkite: Pagalandus peilį jį reikia subalansuoti. Pagalasti, pakeisti ir subalansuoti peilį turi techninės priežiūros centro darbuotojai. Jei susidūrėte su kliūtimi, dėl kurios įrenginys sustojo, pakeiskite pažeistą peilį. Leiskite techninės priežiūros centro darbuotojams nuspręsti, ar peilį dar galima galasti, ar jau reikia keisti.

Disko keitimas

- Užfiksuokite peilį medžio bloku. (Pav. 50)

- Nusukite peilio tvirtinimo varžtą.
- Nuimkite diską.
- Patikrinkite, ar peilio atrama ir peilio tvirtinimo varžtas nėra pažeisti.
- Patikrinkite variklio veleną, kad įsitikintumėte, ar jis nesulenktas.
- Įdėję naują peilį nukreipkite jo kampus pjovimo įrangos gaubto kryptimi. (Pav. 51)
- Įsitikinkite, kad peilis sulygiuotas su peilio veleno centru.
- Užfiksukite peilį medžio bloku. (Pav. 52)
- Uždėkite peilį.
 - LC 551SP, LC 551VQ, modelio atveju uždėkite spyruoklės poveržlę ir priveržkite varžtą ir poveržlę naudodami 70 Nm priveržimo momentą.
 - LC 551VBP modelio atveju priveržkite varžtus naudodami 50 Nm priveržimo momentą. (Pav. 53)
- Ranka pasukite peilį ir patikrinkite, ar jis laisvai sukasi.



PERSPĖJIMAS: Apsimaukite pirštines sunkiam darbui. Peilis labai aštrus ir gali lengvai sužeisti.

- Paleiskite gaminį, kad išbandytumėte peilį. Jei peilis netinkamai uždėtas, gaminys vibruoja arba įjaunama nepakankamai gerai.

Alyvos lygio tikrinimas



PASTABA: Per mažas alyvos kiekis gali sukelti variklio gedimus. Prieš paleisdami gaminį patikrinkite alyvos lygį.

- Pastatykite gaminį ant lygaus paviršiaus.
- Nusukite alyvos bakelio dangtelį su pritvirtintu alyvos lygio matuokliu.
- Nuvalykite alyvą nuo alyvos lygio matuoklio.
- Iki galo įstatykite alyvos lygio matuoklį į alyvos bakelį. Priveržkite alyvos bakelio dangtelį, kad tiksliai nustatytumėte alyvos lygį.
- Ištraukite alyvos lygio matuoklį.
- Alyva ant matuoklio rodo esamą alyvos lygį.
- Jei alyvos lygis žemas, įpilkite variklio alyvos ir vėl patikrinkite alyvos lygį.

(Pav. 54)

Pasižymėkite: Naudokite piltuvėlį, kad išvengtumėte taškymosi.

Variklio alyvos keitimas



PERSPĖJIMAS: Iš karto sustabdykite variklį, jei variklio alyva yra labai karšta. Prieš išleisdami variklio alyvą, leiskite varikliui atvėsti. Jei užšipisite variklio alyvos ant odos, nuplaukite ją muilu ir vandeniu.

(Pav. 55)

- Nuimkite uždegimo kabelį nuo uždegimo žvakės.
- Nuimkite alyvos bakelio dangtelį.
- Išleiskite variklio alyvą.
 - Modeliuose su alyvos išleidimo kištis: po išleidimo kaiščiu padėkite indą, į kurį surinksite variklio alyvą.
 - Modeliuose be alyvos išleidimo kaiščio, arba jei po alyvos išleidimo angos kaiščiu neįmanoma padėti indo: naudodami alyvos siurbį (priedą) išleiskite variklio alyvą iš alyvos bakelio.
- Pripilkite naujos rekomenduojamo tipo variklio alyvos *Techniniai duomenys psl. 209*.
- Patikrinkite alyvos lygį. Žr. *Alyvos lygio tikrinimas psl. 207*.

Variklio alyvos papildymas ir keitimas

- Jei reikia informacijos, kaip papildyti ir pakeisti variklio alyvą, žr. variklio naudojimo instrukciją.

Norėdami valyti ir pakeisti oro filtrą (LC 5551SP, LC 551VBP)

- Jei reikia informacijos, kaip valyti ir pakeisti oro filtrą, žr. variklio naudojimo instrukciją.

Oro filtro išėmimas ir įdėjimas (LC 551VQ)



PERSPĖJIMAS: Mūvėkite apsaugines pirštines.

- Atstumkite spaustukus, esančius ant oro filtro gaubto.
- Atsargiai nuimkite oro filtro gaubtą (A) nuo variklio.
- Nuimkite oro filtrą (B) ir putų filtrą (C). (Pav. 56)
- Patikrinkite, ar oro filtras nepažeistas. Pažeistą oro filtrą pakeiskite.
- Išvalykite ir patikrinkite oro filtrą. Žr. *Oro filtro valymas (LC 551VQ) psl. 208*.
- Montuokite priešinga eilės tvarka.

Oro filtro valymas (LC 551VQ)



PASTABA: Neleiskite varikliui veikti be oro filtro arba jei oro filtras purvinas.



PASTABA: Pakeiskite oro filtrą, jei nepavyksta jo visiškai išvalyti arba jei jis pažeistas. Sugedęs oro filtras gali sugadinti variklį.

1. Nuspauskite fiksatorius (A), nuimkite oro filtro dangtelį (B) ir nuimkite oro filtrą (C). (Pav. 57)
2. Padaužykite oro filtrą į kietą paviršų arba pūskite suspaustą orą per oro filtrą iš švarios jo pusės.



PASTABA: Nevalykite šepėčiu, nes taip galite įstumti nešvarumus į oro filtrą.

3. Nuvalykite oro filtro laikiklį (D) ir oro filtro dangtelį drėgna šluoste.



PASTABA: Užtikrinkite, kad purvas nepatektų į oro kanalą (E).

4. Sumontuokite oro filtrą. Įsitinkite, kad oro filtras visiškai sandarus oro filtro laikiklyje.
5. Sumontuokite oro filtro dangtelį apatiniais fiksatoriais pirmyn.

Uždegimo žvakės tikrinimas



PASTABA: Visada naudokite rekomenduojamo tipo žvakes. Netinkamo tipo uždegimo žvakė gali pažeisti gaminį.

- Patikrinkite uždegimo žvakę, jei variklio galingumas mažas, jį sunku paleisti arba jis netinkamai veikia tuščiąja eiga.

- Norėdami sumažinti pašalinių medžiagų atsiradimą ant uždegimo žvakės elektrodų, laikykitės šių instrukcijų:
 - a) Įsitinkite, kad tinkamai sureguliuotas greitis tuščiąja eiga.
 - b) Įsitinkite, kad naudojate tinkamą kuro mišinį.
 - c) Patikrinkite, ar oro filtras yra švarus.
- Jei uždegimo žvakė purvina, nuvalykite ją ir patikrinkite, ar nustatytas tinkamas tarpas tarp elektrodų, žr. *Techniniai duomenys psl. 209*. (Pav. 58)
- Esant reikalui pakeiskite uždegimo žvakę.

Kuro sistemos tikrinimas

- Patikrinkite kuro bakelio dangtelį ir užsandarinkite jį, kad nepažeistumėte.
- Patikrinkite kuro žarnelę ir įsitinkite, kad ji neprateka. Jei kuro žarnelė pažeista, paprašykite, kad techninės priežiūros atstovas ją pakeistų.

Greičio valdymo ir akceleratoriaus gaiduko reguliavimas

Pavaros greitį reguliuokite greičio valdymu. Variklio apsukas reguliuokite akceleratoriaus gaiduku.



PASTABA: Varikliui veikiant nereguliuokite greičio valdymu.

1. Norėdami reguliuoti pavaros greitį, sukite reguliavimo varžtą (A), kad reguliuotumėte kabelio apsaugos ilgį. Sutrumpinkite kabelio apsaugos ilgį, kad padidintumėte pavaros greitį.
2. Jei uždarytos oro sklendės padėties arba stabdymo padėties įjungti negalima, pareguliuokite variklio apsukas. Pasukite reguliavimo varžtą (B). (Pav. 59)

Transportavimas, saugojimas ir utilizavimas

Transportavimas ir laikymas

- Norėdami laikyti ir transportuoti gaminį ir kurą, įsitinkite, kad jis neprateka ir neskleidžia išmetamųjų dujų. Žiežirbos arba atvira ugnis, pvz., elektriniai įrenginiai arba džiointuvai, gali sukelti gaisrą.
- Laikydami ir transportuodami kurą visada naudokite patvirtintus konteinerius.
- Ištuštinkite kuro bakelį prieš padėdami gaminį laikyti ilgam laikui. Kurą išpilkite tinkamoje šalinimo vietoje.
- Saugiai pritvirtinkite gaminį jį transportuodami, kad nepažeistumėte ir išvengtumėte nelaimingų atsitikimų.

- Laikykite gaminį užrakintoje patalpoje, kad jo nepasiektų vaikai arba neįgalieji asmenys.
- Laikykite gaminį sausoje neužšalancioje vietoje.

Šalinimas

- Laikykitės vietinių atliekų tvarkymo reikalavimų ir galiojančių teisės aktų.
- Išpilkite visas chemines medžiagas, pvz., variklio alyvą arba kurą techninės priežiūros centre arba tinkamoje šalinimo vietoje.
- Kai gaminys nebenaudojamas, nusiųskite jį „Husqvarna“ pardavėjui arba atiduokite jį perdirbimo vietai.

Techniniai duomenys

	LC 551SP	LC 551VBP	LC 551VQ
Variklis			
Gamintojas	„Kawasaki“	„Kawasaki“	Husqvarna
Modelis	FJ180V	FJ180V	HS 166AP
Variklio tipas	Vieno cilindro, keturtaktis, oru aušinamas, OHV	Vieno cilindro, keturtaktis, oru aušinamas, OHV	Vieno cilindro, keturtaktis, oru aušinamas, OHV
Darbinis tūris, cm ³	179	179	166
Greitis, sūk./min.	2800	2800	2800
Vardinė variklio galia, kW ⁷¹	2,9	2,9	2,7
Uždegimo sistema			
Degimo žvakė	NGK BPR5ES	NGK BPR5ES	Husqvarna HQT-7
Tarpas tarp elektrodų, mm	0,6–0,8	0,6–0,8	0,7–0,8
Degalų ir tepimo sistema			
Variklio tepimo tipas	Alyvos filtro slėgis	Alyvos filtro slėgis	Purškiamasis
Degalų bakelio talpa, l	1,9	1,9	1,5
Alyvos bakelio talpa, l	0,7	0,7	0,5
Variklio alyva ⁷²	Husqvarna SAE 30	Husqvarna SAE 30	Husqvarna SAE 30
Svoris			
Su tuščiais bakeliais, kg	48,5	52,5	51,0
Skleidžiamas triukšmas ⁷³			
Garso galios lygis, išmatuotas dB (A)	97	96	97
Garso galios lygis, garantuojamas L _{WA} dB (A)	98	98	98
Garso lygiai ⁷⁴			
Naudotojo ausį veikiantis garso slėgis, dB (A)	87	84	86
Vibracijos lygis ⁷⁵			

⁷¹ Nurodyta variklio galia atitinka to modelio tipinės gamybos būdu pagaminto variklio vidutinę naudingąją atiduodamą galią (varikliui veikiant nurodytu greičiu), išmatuotą pagal SAE standartą J1349 / ISO1585. Masinės gamybos būdu pagamintų variklių galia gali skirtis. Faktinė gaminyje įmontuoto variklio galia priklausys nuo darbinio greičio, aplinkos sąlygų ir kitų aplinkybių.

⁷² Jei SAE-30 alyva naudojama žemesnėje nei +5 °C temperatūroje, variklis gali būti suteptas nepakankamai. Dėl to gali atsirasti variklio gedimų. Žr. *Variklio alyvos keitimas psl. 207* jei reikia žemai temperatūrai tinkamo alyvos tipo.

⁷³ Triukšmas, skleidžiamas į aplinką, išmatuotas kaip garso galia (L_{WA}) pagal EB direktyvą 2000/14/EB.

⁷⁴ Triukšmo slėgio lygis pagal ISO 5395. Pateikiamų triukšmo slėgio duomenų būdingoji statistinė sklaida (standartinis nuokrypis) lygi 1,2 dB (A).

⁷⁵ Vibracijos lygis pagal ISO 5395. Pateiktuose vibracijos lygio duomenyse yra 0,2 m/s² tipiška statistinė sklaida (standartinis nuokrypis).

	LC 551SP	LC 551VBP	LC 551VQ
Rankena, m/s ²	4,5	4,5	3,2
Pjovimo įranga			
Pjovimo aukštis, mm	26–74	26–74	26–74
Pjovimo plotis, mm	510	510	510
Peilis	Rinkimas	Rinkimas	Rinkimas
Gaminio numeris	5875908-10	5821494-10	5875908-10
Žolės rinktuvo galia, l	65	65	65
Pavara			
Greitis, km/h	4,1	2,8–5	2,8–5

Atitikties deklaracija

ES atitikties deklaracija

Mes, **Husqvarna AB**, SE-561 82 Huskvarna, Švedija, tel. +46-36-146500, atsakingai patvirtiname, kad gaminys:

Aprašymas	Vejapjovė
Gamintojas	Husqvarna
Tipas / modelis	LC 551SP, LC 551VBP, LC 551VQ
Identifikacijos numeris	Serijos numeriai nuo šios datos: 2022 ir vėlesni

visiškai atitinka šias ES direktyvas ir reglamentus:

Reglamentas	Aprašymas
2006/42/EB	„dėl mašinų“
2014/30/ES	„dėl elektromagnetinio suderinamumo“
2000/14/EB	„dėl į aplinką skleidžiamo triukšmo“
2011/65/ES	„dėl tam tikrų pavojingų medžiagų naudojimo elektros ir elektroninėje įrangoje apribojimo“

ir kad laikomasi šių standartų ir (arba) techninių specifikacijų: EN ISO 5395-1:2013/A1:2018, EN ISO 5395-2:2013/A1:2016/A2:2017, EN ISO 14982:2009, EN IEC 63000:2018

Notifikuotoji įstaiga: 0404, RISE SMP Svensk Maskinprovning AB, Box 4053, SE-904 03 Umeå, Sweden patvirtino atitiktį Tarybos direktyvai 2000/14/EB; atitikties įvertinimo procedūra: VI priedas.

Daugiau informacijos apie triukšmo emisiją žr. *Techniniai duomenys psl. 209.*

Huskvarna, 2022-09-29



Claes Losdal, plėtos vadovas / sodo gaminiai,
„Husqvarna AB“

Atsakingas už techninę dokumentaciją



Saturs

Ievads.....	212	Apkope.....	219
Drošība.....	213	Pārvadāšana, glabāšana un utilizēšana.....	222
Montāža.....	216	Tehniskie dati.....	222
Lietošana.....	217	Atbilstības deklarācija.....	224

Ievads

Izstrādājuma apraksts

Izstrādājums ir gājējam vadāmais rotējošais zāles plāvējs. Zāle tiek savākta zāles savācējā. Lai piekļūtu zāles aizmugurējam izmetējam, noņemiet zāles savācēju. Lai sagrieztu zāli mēslojumam, piestipriniet mulčēšanas komplektu (papildpiederumu).

Izstrādājuma pārskats

(Att. 1)

1. Dzinēja bremzes rokturis
2. Rokturis/roktura stienis
3. Ātruma vadība
4. Piedziņas rokturis
5. Startera auklas rokturis
6. Zāles savācējs
7. Roktura augstuma regulēšana
8. Griešanas augstuma vadības ierīce

Izstrādājuma pārskats

(Att. 2)

1. Rokturis/roktura stienis
2. Asmeņu bremžu vadība (LC 551VBP)
3. Ātruma vadība/droseles vadība (LC 551VBP)
4. Piedziņas rokturis (LC 551VBP)
5. Iedarbināšanas ierobežotājs (LC 551VBP)
6. Startera auklas rokturis
7. Zāles savācējs
8. Roktura augstuma regulēšana
9. Griešanas augstuma vadības ierīce
10. Mērstienis/eļļas tvertne
11. Griezēja pārsegs
12. Trokšņa slāpētājs
13. Aizdedzes svece
14. Gaisa filtrs
15. Degvielas tvertne
16. Aizmugurējais pārsegs
17. Dzinēja bremžu rokturis (LC 551SP)
18. Droseles vadība (LC 551SP)
19. Piedziņas rokturis (LC 551SP)
20. Lietošanas rokasgrāmata

Paredzētā lietošana

Izmantojiet izstrādājumu, lai apgrieztu zāli. Nelietojiet izstrādājumu citiem uzdevumiem.

9. Mērstienis/eļļas tvertne
10. Griezēja pārsegs
11. Trokšņa slāpētājs
12. Aizdedzes svece
13. Gaisa filtrs
14. Degvielas tvertne
15. Aizmugurējais pārsegs
16. Lietošanas rokasgrāmata

Simboli uz izstrādājuma

- (Att. 3) Pavirša vai nepareiza lietošana var radīt traumas vai nāvi lietotājam vai tuvumā esošām personām.
- (Att. 4) Rūpīgi izlasiet lietotāja rokasgrāmatu un pirms izstrādājuma lietošanas pārliecinieties, vai izprotat instrukcijas.
- (Att. 5) Nodrošiniet, lai cilvēki un dzīvnieki atrastos drošā attālumā no darba zonas.
- (Att. 6) Pirms veicat remontdarbus vai tehnisko apkopi, apturiet dzinēju un izņemiet aizdedzes vadu.
- (Att. 7) Eļļa
- (Att. 8) Ātri
- (Att. 9) Lēni
- (Att. 10) Dzinēja apturēšana

- | | | | |
|-----------|---|-----------|--|
| (Att. 11) | Gaisa drosele | (Att. 22) | Karsta virsma |
| (Att. 12) | Asmens sajūgs | (Att. 23) | Dzinējā nav eļļas. |
| (Att. 13) | Uzmanieties no izmestiem un rikošetā atlecošiem priekšmetiem. | (Att. 24) | Pirms lietojat izstrādājumu, iepildiet eļļu. |
| (Att. 14) | Turiet rokas un kājas drošā attālumā no rotējošā asmens. | (Att. 25) | Nelietojiet degvielu E85. |
| (Att. 15) | Turiet rokas un kājas drošā attālumā no rotējošām daļām. | (Att. 26) | Gādājiet, lai izstrādājums neatrastos atklātu liesmu tuvumā. |
| (Att. 16) | Šis izstrādājums atbilst spēkā esošajām ES direktīvām. | (Att. 27) | Skenējams kods. |
| (Att. 17) | Šis izstrādājums atbilst spēkā esošajiem AK noteikumiem. | | |
| (Att. 18) | Trokšņa emisijas vidē uzlīme atbilstoši ES un Apvienotās Karalistes direktīvām un noteikumiem, kā arī Jaundienvidvelsas tiesību aktam "Darba vides aizsardzības (trokšņa kontroles) regula (2017)". Izstrādājuma garantētais skaņas jaudas līmenis ir norādīts <i>Tehniskie dati lpp. 222</i> un uz etiķetes. | | |
| (Att. 19) | Dzinēja gāzu izplūdes satur oglekļa monoksīdu, kas ir bezkrāsaina, indīga un ļoti bīstama gāze. Nedarbiniet izstrādājumu iekšējās vai noslēgtās vietās. | | |
| (Att. 20) | Nedarbiniet izstrādājumu iekšējās vai noslēgtās vietās. | | |
| (Att. 21) | Var notikt sprādzieni. | | |

Piezīme: Citi simboli/apzīmējumi (uzlīmes) uz izstrādājuma attiecas uz nozarei specifiskām juridiskām prasībām.

Euro V emisija



BRĪDINĀJUMS: Motora atvēršana anulē šī ķēdes zāga ES tipa apstiprinājumu.

Atbildība par izstrādājuma kvalitāti

Saskaņā ar likumiem par izstrādājuma kvalitāti mēs neuzņemamies atbildību par bojājumiem, ko radījis mūsu izstrādājums, ja:

- ir veikts nepareizs izstrādājuma remonts;
- izstrādājuma remonts ir veikts, izmantojot detaļas, ko nav nodrošinājis vai apstiprinājis ražotājs;
- izstrādājumam tiek pievienots piederums, ko nav nodrošinājis vai apstiprinājis ražotājs;
- izstrādājuma remonts nav veikts pilnvarotā remontdarbnīcā vai pie pilnvarota speciālista.

Drošība

Drošības definīcijas

Brīdinājumi, norādes "Uzmanību!" un piezīmes tiek izmantotas, lai izceltu īpaši svarīgas lietotāja rokasgrāmatas daļas.

materiālu vai blakus esošās teritorijas bojājuma risks.



BRĪDINĀJUMS: Tiek izmantota tad, ja rokasgrāmatā sniegto instrukciju neievērošanas dēļ operatoram vai blakus esošajām personām draud trauma vai nāves risks.

Piezīme: Tiek izmantota, lai sniegtu plašāku informāciju, kas nepieciešama attiecīgajā situācijā.

Vispārīgi norādījumi par drošību



BRĪDINĀJUMS: Pirms sākat lietot izstrādājumu, izlasiet tālāk izklāstītās brīdinājuma instrukcijas.



IEVĒROJIET: Tiek izmantota tad, ja rokasgrāmatā sniegto instrukciju neievērošanas dēļ rodas izstrādājuma, citu

- Šis izstrādājums ir bīstams, ja to lieto nepareizi vai ja nerīkojaties piesardzīgi. Drošības instrukciju neievērošana var izraisīt traumas vai nāvi.

- Šis izstrādājums darbības laikā rada elektromagnētisko lauku. Noteiktos apstākļos šis lauks var traucēt aktīvā vai pasīvā medicīniskā implantāta darbību. Lai samazinātu nopietnas traumas gūšanas vai dzīvības zaudēšanas risku, mēs iesakām personām, kam ir medicīniskie implantāti, pirms šī izstrādājuma lietošanas konsultēties ar savu ārstu un medicīniskā implantāta ražotāju.
- Vienmēr rīkojieties piesardzīgi un saprātīgi. Ja neesat drošs par to, kā izmantot šo izstrādājumu konkrētā situācijā, pārtrauciet darbu un sazinieties ar savu Husqvarna izplatītāju, pirms turpināt.
- Paturiet prātā, ka operators ir atbildīgs par negadījumiem, kuros iesaistītas citas personas.
- Gādājiet, lai izstrādājums ir tīrs. Pārliecinieties, ka varat skaidri izlasīt zīmes un uzlīmes.
- Neļaujiet nevienai personai izmantot izstrādājumu, ja neesat pārliecinājies, ka šī persona ir izlasījusi un izprot lietotāja rokasgrāmatas saturu.
- Neļaujiet bērniem lietot šo izstrādājumu.
- Bērni nedrīkst atrasties darba zonā. Tuvumā vienmēr jābūt pieaugušajam.
- Neļaujiet lietot izstrādājumu personai, kas nav iepazinusi ar lietošanas norādījumiem.
- Ja izstrādājumu izmanto persona ar samazinātām fiziskajām vai garīgajām spējām, vienmēr uzraugiet šo personu. Tuvumā vienmēr jābūt pieaugušajam.
- Neizmantojiet šo izstrādājumu, ja esat noguris, slims vai esat alkohola, narkotiku vai medikamentu izraisītā reibumā. Šāds stāvoklis negatīvi ietekmē jūsu redzi, modrību, koordināciju un spriestspēju.
- Neizmantojiet izstrādājumu, ja tas ir bojāts.
- Neveiciet izmaiņas šajā izstrādājumā un neizmantojiet to, ja ir iespējams, ka citas personas tajā ir veikušas izmaiņas.
- Nemainiet noregulēto dzinēja apgriezienu skaitu

- Pārliecinieties, vai nav personu, priekšmetu un situāciju, kas varētu kavēt izstrādājuma drošu darbību.
- Uzmanīgi skatieties, vai nav šķēršļu, piemēram, sakņu, akmeņu, zaru, bedru un grāvju. Garā zālē var atrasties dažādi šķēršļi.
- Pļaušana uz nogāzēm var būt bīstama. Neizmantojiet izstrādājumu uz virsmas, kuras slīpums pārsniedz 15°.
- Uz nogāzēm izstrādājumu izmantojiet garenvirzienā. Neplaujiet uz augšu un uz leju.
- Esiet uzmanīgi, kad tuvojaties stūriem, aiz kuriem nekas nav redzams, un priekšmetiem, kas aizsedz skaidru skatu.

Darba drošība



BRĪDINĀJUMS: Pirms sākat lietot izstrādājumu, izlasiet tālāk izklāstītās brīdinājuma instrukcijas.

- Izmantojiet šo izstrādājumu tikai zālienu pļaušanai. Izstrādājumu nav atļauts izmantot citu darbu veikšanai.
- Lietojiet individuālos aizsardzības līdzekļus. Skatiet šeit: *Individuālie aizsarglīdzekļi lpp. 215.*
- Pārliecinieties, vai zināt, kā ārkārtas situācijā ātri apturēt dzinēju.
- Nekad neiedarbiniet dzinēju slēgtās telpās vai uzliesmojošu materiālu tuvumā. Dzinēja izplūdes gāzes ir karstas, un tajās var būt dzirksteles, kas var izraisīt ugunsgrēku.
- Nedarbiniet izstrādājumu, ja asmens un visi pārsegi nav piestiprināti pareizi. Nepareizi piestiprināts asmens var kļūt vaļīgs un izraisīt traumas personai.
- Pārliecinieties, ka asmens neatsitas pret priekšmetiem, piemēram, akmeņiem un saknēm. Tas var sabojāt asmeni un saliekt dzinēja vārpstu. Saliekts asmens izraisa stipru vibrāciju un rada ļoti lielu risku, ka asmens kļūst vaļīgs.
- Ja asmens saskaras ar priekšmetu vai rodas spēcīgas vibrācijas, nekavējoties izslēdziet izstrādājumu. Atvienojiet aizdedzes vadu no aizdedzes sveces. Pārbaudiet, vai izstrādājumā nav bojājumu. Novērsiet bojājumus vai ļaujiet pilnvarotā servisa pārstāvim veikt remontu.
- Nekad nepiestipriniet dzinēja bremžu rokturi pastāvīgi rokturim, kad dzinējs ir iedarbināts.
- Novietojiet izstrādājumu uz stabilas, līdzenas virsmas un iedarbiniet to. Pārliecinieties, vai asmens nepieskaras zemei vai citiem priekšmetiem.
- Darbinot izstrādājumu, vienmēr stāviet aiz tā.
- Darbinot izstrādājumu, raugiet, lai visi četri rīteņi atrodas uz zemes un turiet rokturi ar abām rokām. Turiet rokas un kājas drošā attālumā no rotējošajiem asmeņiem.
- Nekad nenolieciet izstrādājumu dzinēja darbības laikā.
- Esiet piesardzīgs, velkot izstrādājumu uz aizmuguri.

Darba zonas drošība



BRĪDINĀJUMS: Pirms sākat lietot izstrādājumu, izlasiet tālāk izklāstītās brīdinājuma instrukcijas.

- Pirms izmantojat izstrādājumu, noņemiet no darba zonas priekšmetus, piemēram, zarus, žaģarus un akmeņus.
- Priekšmeti, kas saskaras ar griešanas ierīci, var atlēkt un nodarīt kaitējumu personām vai citiem priekšmetiem. Gādājiet, lai citi cilvēki un dzīvnieki atrastos drošā attālumā no izstrādājuma.
- Nekad neizmantojiet izstrādājumu sliktos laikapstākļos, piemēram, miglā, lietū, stiprā vējā, lielā aukstumā un pastāvot zibeņošanas riskam. Izstrādājuma izmantošana sliktos laikapstākļos vai mitrā vai slapjā vietā ir nogurdinoša. Slikti laikapstākļi var izraisīt bīstamus apstākļus, piemēram, slidenas virsmas.

- Nekad neceliet izstrādājumu uz augšu dzinēja darbības laikā. Ja jums jāpaceļ izstrādājums, vispirms izslēdziet dzinēju un atvienojiet aizdedzes vadu no aizdedzes sveces.
- Neejiet at muguriski izstrādājuma lietošanas laikā.
- Izslēdziet dzinēju, kad pārvietojaties pa teritorijām, ko neklāj zāle, piemēram, pa grants, akmens vai asfalta celiņiem.
- Nekad neskrieniet ar izstrādājumu dzinēja darbības laikā. Darbinot izstrādājumu, vienmēr ejiet.
- Apturiet dzinēju, pirms maināt griešanas augstumu. Nekad nemēģiniet veikt regulēšanas darbus dzinēja darbības laikā.
- Nekad neatstājiet izstrādājumu bez uzraudzības dzinēja darbības laikā. Izslēdziet dzinēju un pārliecinieties, vai griešanas ierīce nerotē.

Norādījumi par drošu darbu

Individuālie aizsarglīdzekļi



BRĪDINĀJUMS: Pirms sākat lietot izstrādājumu, izlasiet tālāk izklāstītās brīdinājuma instrukcijas.

- Šādi līdzekļi nevar pilnībā novērst traumu gūšanas risku, taču samazina traumu smaguma pakāpi, ja negadījums tomēr notiek. Ļaujiet izplatītajam palīdzēt jums izvēlēties pareizo aprīkojumu.
- Ja trokšņa līmenis ir augstāks par 85 dB, izmantojiet dzirdes aizsarglīdzekļus.
- Velciet izturīgas zābakus vai kurpes, kas neslīd. Nevelciet vaļējas kurpes un neejiet ar basām kājām.
- Velciet izturīgas garās bikses.
- Vajadzības gadījumā izmantojiet aizsargcimdus, piemēram, piestiprinot, pārbaudot vai tīrot griešanas aprīkojumu.

Izstrādājuma drošības ierīces



BRĪDINĀJUMS: Pirms izstrādājuma lietošanas izlasiet zemāk minētos brīdinājumus.

- Nelietojiet izstrādājumu kopā ar drošības ierīcēm, kas ir bojātas vai nedarbojas pareizi.
- Regulāri pārbaudiet drošības ierīces. Ja drošības ierīces ir bojātas vai nedarbojas pareizi, sazinieties ar Husqvarna apkopes dienesta pārstāvi.
- Nepārveidojiet drošības ierīces.

Griezēja pārsega pārbaude

Griezēja pārsegs samazina izstrādājuma vibrācijas un asmens radītu ievainojumu gūšanas risku.

- Pārbaudiet griezēja pārsegu, lai pārliecinātos, vai nav bojājumu, piemēram, plaisu.

Dzinēja bremžu roktura pārbaude (LC 551SP, LC 551VQ)

Dzinēja bremžu rokturis aptur dzinēju. Atlaižot dzinēja bremžu rokturi, dzinējs apstājas.

- Iedarbiniet dzinēju un pēc tam atlaidiet dzinēja bremžu rokturi. Ja dzinējs neapstājas 3 sekundēs, pieprasiet pilnvarotajam Husqvarna apkopes pārstāvim noregulēt dzinēja bremzes. (Att. 28)

Asmeņu bremžu vadības un iedarbināšanas ierobežotāja pārbaude ((LC 551VBP))

Asmeņu bremžu vadība aptur tikai asmeņu, nevis dzinēja darbību. Atlaižot asmeņu bremžu vadību, asmens apstājas.

1. Iedarbiniet dzinēju.
2. Pavelciet asmeņu bremžu vadību stūres virzienā. Iedarbināšanas ierobežotājs aptur kustību.
3. Izstumiet iedarbināšanas ierobežotāju.
4. Pavelciet asmeņu bremžu vadību stūres virzienā. Asmens sāks griezties.
5. Atlaidiet asmeņu bremžu vadību. Ja asmens neapstājas 3 sekunžu laikā, pieprasiet pilnvarotajam Husqvarna apkopes pārstāvim noregulēt asmeņu bremzes. (Att. 29)
6. Pārliecinieties, ka iedarbināšanas ierobežotājs atgriežas sākumstāvoklī.

Slāpētājs

Slāpētājs maksimāli mazina troksni un novirza motora izplūdes gāzes prom no operatora.

Nelietojiet izstrādājumu, ja slāpētājs nav piestiprināts vai ir bojāts. Bojāts slāpētājs palielina trokšņa līmeni un aizdegšanās risku.



BRĪDINĀJUMS: Lietošanas laikā, tūlīt pēc tās un tad, kad dzinējs darbojas tukšgaitā, slāpētājs ļoti uzkarst. Lai novērstu aizdegšanos, esiet piesardzīgs uzliesmojošu materiālu un/vai gāzu tuvumā.

Trokšņa slāpētāja pārbaude

- Regulāri pārbaudiet slāpētāju, lai pārliecinātos, ka tas ir pareizi piestiprināts un nav bojāts.

Drošības norādījumi, rīkojoties ar degvielu



BRĪDINĀJUMS: Pirms sākat lietot izstrādājumu, izlasiet tālāk izklāstītās brīdinājuma instrukcijas.

- Nelietojiet izstrādājumu, ja uz tā ir degviela vai dzinēja eļļa. Notīriet nevēlamo degvielu/eļļu un ļaujiet izstrādājumam nožūt.
- Ja degviela ir nokļuvusi uz apģērba, nekavējoties pārģērbieties.

- Nelaujiet degvielai nonākt uz ķermeņa, jo tā var izraisīt savainojumus. Ja degviela ir nonākusi uz ķermeņa, izmantojiet ziepes un ūdeni, lai to nomazgātu.
- Nelietojiet izstrādājumu, ja dzinējā ir sūce. Regulāri pārbaudiet, vai dzinējam nav radusies sūce.
- Rīkojoties ar degvielu, esiet uzmanīgs. Degviela ir viegli uzliesmojoša, tās tvaiki ir sprādzienbīstami, un var izraisīt savainojumus vai nāvi.
- Neieelpojiet degvielas tvaikus, jo tie var izraisīt savainojumus. Pārliecinieties, vai gaisa plūsma ir pietiekama.
- Nesmēķējiet degvielas vai dzinēja tuvumā.
- Nenovietojiet siltus objektus degvielas vai dzinēja tuvumā.
- Nepievienojiet degvielu dzinēja darbības laikā.
- Pirms degvielas uzpildes pārliecinieties, vai dzinējs ir atdzisis.
- Pirms uzpildes lēni atveriet degvielas tvertnes vāciņu un uzmanīgi izlaidiet spiedienu.
- Neveiciet dzinēja degvielas uzpildi telpās. Nepietiekama gaisa plūsma var izraisīt savainojumus vai nāvi, nosmokot vai saindējoties ar oglekļa monoksīdu (tvana gāzi).
- Pilnībā piegrieziet degvielas tvertnes vāciņu. Ja degvielas tvertnes vāciņš nav piegriezts, pastāv aizdegšanās risks.
- Pirms iedarbināšanas pārvietojiet izstrādājumu vismaz 3 m (10 pēdas) no vietas, kur piepildījāt tvertni.
- Nepiepildiet degvielas tvertni pilnībā. Siltuma ietekmē degviela izplešas. Atstājiet degvielas tvertnes augšdaļu tukšu.

Norādījumi par drošu apkopi



BRĪDINĀJUMS: Pirms sākat lietot izstrādājumu, izlasiet tālāk izklāstītās brīdinājuma instrukcijas.

- Dzinēja gāzu izplūdes satur oglekļa monoksīdu, kas ir bezkrāsaina, indīga un ļoti bīstama gāze. Nedarbiniet dzinēju iekšējās vai slēgtās telpās.
- Pirms veicat izstrādājuma apkopi, vispirms izslēdziet dzinēju un atvienojiet aizdedzes vadu no aizdedzes sveces.
- Veicot griešanas aprīkojuma apkopi, velciet aizsargcimodus. Asmens ir ļoti ass, un ar to var viegli sagriezties.
- Piederumi un pārveidojumi izstrādājumā, kurus ražotājs nav apstiprinājis, var izraisīt nopietnas traumas vai nāvi. Nepārveidojiet izstrādājumu. Izmantojiet tikai tādus piederumus, ko ir apstiprinājis ražotājs.
- Ja apkope netiek veikta pareizi un regulāri, traumu gūšanas risks un bojājumu izstrādājumam risks palielinās.
- Veiciet tikai to apkopi, kas norādīta īpašnieka rokasgrāmatā. Visi pārējie apkopes darbi jāveic pilnvarotā Husqvarna servisa pārstāvim.
- Ļaujiet pilnvarotā Husqvarna servisa pārstāvim regulāri veikt izstrādājuma apkopi.
- Nomainiet bojātās, nodilušās un salūzušās detaļas.

Montāža

levads



BRĪDINĀJUMS: Pirms montējat izstrādājumu, izlasiet nodaļu par drošību un pārliecinieties, vai saprotat to.



BRĪDINĀJUMS: Noņemiet aizdedzes sveces vadu no aizdedzes sveces, pirms montējat izstrādājumu.

Roktura montāža

1. Izstrādājuma labajā un kreisajā pusē atļaidiet apakšējos fiksatorus. Nodrošiniet, lai plastmasas paplāksne atrastos roktura skavas padziļinājumā. (Att. 30)
2. Uzstādiet rokturi salocītu uz priekšu, kā parādīts ilustrācijā. (Att. 31)
 - a) Nodrošiniet, lai plastmasas paplāksne atrastos starp rokturi un roktura skavu.
 - b) Piestipriniet rokturi roktura skavai.

3. Paceliet rokturi. (Att. 32)
4. Pilnībā pievelciet fiksatorus. Lai regulētu roktura augstumu, skatiet šeit: *Roktura augstuma regulēšana lpp. 216.*
5. Ievietojiet vadus vadu skavās. Sekojiet, lai vadi nesavijās. Vadu skavas piestipriniet rokturim. (Att. 33)
6. Lai piestiprinātu vadus rokturim, izmantojiet vadu savilcējus. (Att. 34)

Roktura augstuma regulēšana

1. Atskrūvējiet apakšējos fiksatorus.
2. Pārvietojiet fiksatorus uz rienu apakšējo malu izstrādājuma kreisajā un labajā pusē. (Att. 35)
3. Iestatiet roktura augstumu vienā no 2 pieejamajām pozīcijām.
4. Virziet fiksatorus uz augšu stūres virzienā, līdz tie apstājas un atskan klikšķis. (Att. 36)
5. Pilnībā pievelciet fiksatorus.

Produkta novietošana transportēšanas pozīcijā

1. Noņemiet zāles savācēju.
2. Atskrūvējiet apakšējos fiksatorus.
3. Pārvietojiet fiksatorus uz rievu apakšējo malu izstrādājuma kreisajā un labajā pusē. (Att. 35)
4. Nolokiet rokturi uz priekšu. (Att. 37)

Izstrādājuma novietošana darbības pozīcijā

1. Paceliet stūri uz augšu. (Att. 32)
2. Virziet fiksatorus uz augšu stūres virzienā, līdz tie apstājas un atskan klikšķis. (Att. 36)
3. Pilnībā pievelciet fiksatorus.

Zāles savācēja montāža

1. Ievietojiet zāles savācēja rāmi zāles maisā tādā veidā, lai maisa stingrā daļa būtu apakšā. Nodrošiniet, lai rāmja rokturis ir zāles maisa augšdaļā. (Att. 38)
2. Piestipriniet zāles savācēja rāmja apakšdaļu zāles maisa apakšdaļai. (Att. 39)
 - a) Ievietojiet zāles savācēja rāmi rievā. Sāciet no labās puses un pakāpeniski virzieties uz kreiso, kā parādīts attēlā.
3. Ja zāles savācēja rāmi neizdodas viegli piestiprināt, uzmanīgi pasitiet pa to ar gumijas āmuriņu. Iesitiet zāles savācēja rāmi stīpinājuma vietās. (Att. 40)

4. Piestipriniet zāles maisu pie zāles savācēja rāmja ar spailēm. (Att. 41)
5. Noceliet aizmugurējo pārsegu.
6. Piestipriniet zāles savācēju pie šasijas augšmalas.
7. Ievietojiet zāles savācēja apakšējo daļu zāles izmešanas atverē. (Att. 42)

Mulčēšanas aizbāžņa (piederums) montāža

1. Paceliet aizmugurējo pārsegu un noņemiet zāles savācēju.
2. Ievietojiet mulčēšanas ieliktni zāles izmešanas atverē. (Att. 43)
3. Nomainiet asmeni pret mulčēšanas asmeni, kas tiek nodrošināts kopā ar mulčēšanas komplektu. Skatiet šeit: *Asmens maiņa lpp. 220*.

Zāles griešana bez pievienota zāles savācēja vai mulčēšanas aizbāžņa

- Paceliet aizmugurējo pārsegu un noņemiet zāles savācēju.
- Ja ir pievienots mulčēšanas aizbāznis un mulčēšanas asmens, noņemiet tos.
- Pirms produkta lietošanas aizveriet aizmugurējo vāku.

Kad lietojat produktu, nogrieztā zāles tiek izvadīta zem aizmugurējā pārsega.

Lietošana

Ievads



BRĪDINĀJUMS: Pirms sākat darbu ar produktu, izlasiet nodaļu par drošību un pārliecinieties, vai saprotat to.

Husqvarna Connect

Husqvarna Connect ir bezmaksas lietotne jūsu mobilajai ierīcei. Lietotne Husqvarna Connect nodrošina paplašinātas funkcijas jūsu Husqvarna izstrādājumam:

- Paplašināta izstrādājuma informācija.
- Informācija par izstrādājuma daļām un apkopi un palīdzība ar to.

Lai sāktu izmantot Husqvarna Connect

1. Lejupielādējiet Husqvarna Connect lietotni savā mobilajā ierīcē.
2. Reģistrējieties Husqvarna Connect lietotnē.
3. Izpildiet Husqvarna Connect lietotnē sniegtos norādījumus, lai savienotu un reģistrētu produktu.

Pirms izstrādājuma darbināšanas

1. Uzmanīgi izlasiet lietotāja rokasgrāmatu un pārliecinieties, vai izprotat instrukcijas.
2. Pārbaudiet griešanas aprīkojumu, lai pārliecinātos, vai tas ir pareizi piestiprināts un noregulēts. Skatiet šeit: *Griešanas aprīkojuma pārbaudīšana lpp. 220*.
3. Uzpildiet degvielas tvertni. Skatiet šeit: *Degvielas uzpildīšana lpp. 217*.
4. Uzpildiet degvielas tvertni un pārbaudiet eļļas līmeni. Skatiet šeit: *Eļļas līmeņa pārbaude lpp. 220*.

Degvielas uzpildīšana

Ja iespējams, izmantojiet zemu emisiju/alkilātu degvielu. Ja zemu emisiju/alkilātu benzīns nav pieejams, izmantojiet kvalitatīvu bezsvina benzīnu vai svinu saturošu benzīnu, kura oktānskaitlis ir vismaz 90.



IEVĒROJIET: Neizmantojiet benzīnu, kura oktānskaitlis ir mazāks par 90 RON (87 AKI). Pretējā gadījumā izstrādājums var tikt bojāts.

1. Lēni atveriet degvielas tvertnes vāciņu, lai samazinātu spiedienu.
2. Lēni uzpildiet ar degvielas kannu. Ja esat izšļakstījis degvielu, noīriet to ar drāniņu un ļaujiet atlikušajai degvielai nožūt. (Att. 44)
3. Noīriet vietu ap degvielas tvertnes vāciņu.
4. Pilnībā piegrieziet degvielas tvertnes vāciņu. Ja degvielas tvertnes vāciņš nav piegriezts, pastāv aizdegšanās risks.
5. Pirms iedarbināšanas pārvietojiet izstrādājumu vismaz 3 m (10 pēdu attālumā) no vietas, kur veicāt uzpildi.
5. Turiet startera auklas rokturi ar labo roku.
6. Lēni velciet startera auklu, līdz sajūtat pretestību.
7. Lai iedarbinātu dzinēju, spēcīgi to pavelciet.
8. Uzstādiēt droseles vadību pilnībā atvērtas droseles pozīcijā.
9. Modelim LC 551VBP:
 - a) Atbrīvojiet iedarbināšanas ierobežotāju.
 - b) Lai iedarbinātu asmeņus, pavelciet asmeņu bremžu vadības sviru stūres virzienā.

Piedziņas izmantošana riteņiem

- Velciet piedziņas rokturi stūres virzienā. (Att. 48)
- Modelim LC 551VQ un modelim LC 551VBP: noregulējiet piedziņas ātrumu ar apgriezienu skaita regulēšanas sviru, kas atrodas roktura kreisajā pusē. Pabīdiēt apgriezienu skaita regulēšanas sviru uz priekšu, lai palielinātu apgriezienu skaitu, un atpakaļ, lai samazinātu apgriezienu skaitu. (Att. 49)
- Pirms velkat izstrādājumu uz aizmuguri, atvienojiet piedziņu un pastumiet izstrādājumu uz priekšu par aptuveni 10 cm.
- Atlaidiet piedziņas rokturi, lai atvienotu piedziņu, piemēram, ja ejat tuvu šķērslim.

Izstrādājuma izslēgšana (LC 551SP, LC 551VQ)

- Lai apturētu tikai piedziņu, atlaidiet piedziņas rokturi.
- Lai apturētu dzinēju, atlaidiet dzinēja bremžu rokturi.

Izstrādājuma izslēgšana (LC 551VBP)

- Lai apturētu tikai piedziņu, atlaidiet piedziņas rokturi.
- Lai apturētu dzinēju, pārvietojiet droseles vadības sviru apturēšanas stāvoklī.

Labā rezultāta panākšana

- Vienmēr lietojiet tikai asus asmeņus. Lietojot trulu asmeni, plaušanas rezultāts ir nevienmērīgs, un noplautā zāles virsma kļūst dzeltena. Ass asmens arī patērē mazāk enerģijas nekā truls asmens.
- Nepļaujiet vairāk par 1/3 no zāles garuma. Vispirms pļaujiet ar lielu pļaušanas augstuma iestatījumu. Pārbaudiet rezultātu un nolaidiet pļaušanas augstumu līdz pieņemamam līmenim. Ja zāle ir ļoti gara, pļaujiet lēni un, ja nepieciešams, dariet to divreiz.
- Katru reizi pļaujiet dažādos virzienus, lai zālienā neatstātu svītras.
- Uzturiet pļaušanas pārsegu tīru. Zāles un netīrumu uzkrāšanās pļaušanas pārsega iekšpusē var pasliktināt pļaušanas rezultātu. Skatiet: *Griešanas pārsega iekšējās virsmas tīrīšana lpp. 219.*

Pļaušanas augstuma regulēšana

Griešanas augstumu var noregulēt 6 līmeņos.

1. Lai palielinātu griešanas augstumu, pabīdiēt griešanas augstuma sviru riteņa virzienā un pēc tam uz aizmuguri.
2. Lai samazinātu griešanas augstumu, pabīdiēt griešanas augstuma sviru riteņa virzienā un pēc tam uz priekšu. (Att. 45)



IEVĒROJIET: Neiestatiet griešanas augstumu pārāk zemu. Ja zāliena virsma nav līdzena, asmeņi var saskarties ar zemi.

Izstrādājuma iedarbināšana (LC 551VQ)

1. Pārliecinieties, ka aizdedzes sveces vads ir pievienots aizdedzes svecei.
2. Stāviet aiz izstrādājuma.
3. Piespīdiēt dzinēja bremzes rokturi roktura stienim. (Att. 46)
4. Turiet startera auklas rokturi ar labo roku.
5. Lēni velciet startera auklu, līdz sajūtat pretestību.
6. Lai iedarbinātu dzinēju, spēcīgi pavelciet startera auklu.

Izstrādājuma iedarbināšana (LC 551SP, LC 551VBP)

1. Pārliecinieties, vai aizdedzes vads ir pievienots aizdedzes svecei.
2. Stāviet aiz izstrādājuma.
3. Noregulējiet droseles vadības sviru.
 - a) Ja dzinējs ir auksts, iestatiet droseles vadības sviru gaisa vārsta pozīcijā. (Att. 47)
 - b) Ja dzinējs ir silts, neiestatiet droseles vadības sviru gaisa vārsta pozīcijā.
4. Modelim LC 551SP turiet dzinēja bremžu rokturi nospiestu pret stūri. (Att. 46)

Apkope

levads



BRĪDINĀJUMS: Pirms veicat apkopi, izlasiet nodaļu par drošību un pārlicinieties, vai izprotat to.

Lai veiktu visus izstrādājuma apkopes un remonta darbus, ir nepieciešama īpaša apmācība. Mēs garantējam profesionāla remonta un apkopes pieejamību. Ja jūsu izplatītājs nav servisa pārstāvis, vērsieties pie viņa, lai iegūtu informāciju par tuvāko servisa pārstāvi.

Papildinformāciju skatiet šeit: www.husqvarna.com.

Apkopes grafiks



IEVĒROJIET: Sasverot šo izstrādājumu, nodrošiniet, lai gaisa filtrs būtu vērstis augšup, nevis pret zemi. Pastāv dzinēja bojājumu risks.

Apkopes intervāli tiek aprēķināti atbilstoši izstrādājuma ikdienas lietošanai. Intervāli mainās, ja izstrādājumu neizmanto ikdienā.

Attiecībā uz apkopi, kas atzīmēta ar *, skatiet instrukcijas šeit: *Izstrādājuma drošības ierīces lpp. 215.*

Apkope	Katru dienu	Reizi nedēļā	Reizi mēnesī
Veiciet vispārīgu pārbaudi	X		
Pārbaudiet eļļas līmeni	X		
Noīriiet izstrādājumu	X		
Pārbaudiet griešanas aprīkojumu	X		
Pārbaudiet griešanas pārsegu*	X		
Pārbaudiet dzinēja bremžu rokturi* LC 551SP, LC 551VQ	X		
Pārbaudiet asmeņu bremžu vadības sviru* LC 551VBP	X		
Pārbaudiet slāpētāju*		X	
Pārbaudiet aizdedzes sveci		X	
Nomainiet eļļu (pirmo reizi pēc 5 h lietošanas, pēc tam — ik pēc 50 h lietošanas un reizi gadā)			X
Iztīriiet vai nomainiet gaisa filtru			X
Pārbaudiet degvielas sistēmu			X

Vispārējās pārbaudes veikšana

- Pārlicinieties, vai visi uzgriežņi un skrūves uz izstrādājuma ir pareizi pievilkti.

Izstrādājuma tīršana

- Plastmasas daļas tīriiet ar tīru un sausu drānu.
- Izstrādājuma tīršanai neizmantojiet ūdeni. Ūdens var iekļūt akumulatorā vai dzinējā un rādīt issavienojumu vai izstrādājuma bojājumus.
- Neizmantojiet izstrādājuma tīršanai augstspiediena mazgātāju.
- Nekādā gadījumā neļaujiet ūdeni tieši uz dzinēja.
- Izmantojiet suku, lai notīrītu lapas, zāli un neīrumus.
- Noņemiet sajūga pārsegu, izmantojiet suku, lai notīrītu zāli zem sajūga pārsega. (LC 551VBP)

Griešanas pārsega iekšējās virsmas tīršana

1. Iztukšojiet degvielas tvertni.
2. Novietojiet izstrādājumu uz sāniem ar slāpētāju uz leju.



IEVĒROJIET: Novietojot izstrādājumu ar gaisa filtru uz leju, var sabojāt dzinēju.

3. Ar šļūteni noskalojiet griešanas pārsega iekšējo virsmu.

Griešanas aprīkojuma pārbaudīšana



BRĪDINĀJUMS: Lai novērstu nejašu palaišanu, atvienojiet aizdedzes vadu no aizdedzes sveces.



BRĪDINĀJUMS: Veicot griešanas aprīkojuma apkopi, velciet aizsargcimdus. Asmens ir ļoti ass, un ar to var viegli sagriezties.

1. Pārbaudiet, vai griešanas aprīkojums nav bojāts vai ieplaisājis. Vienmēr nomainiet bojātu griešanas ierīci.
2. Apskatiet asmeni, lai redzētu, vai tas nav bojāts vai truls.

Piezīme: Vajadzības gadījumā pēc asmens uzasināšanas to balansējiet. Ļaujiet servisa centram asināt, nomainīt un balansēt asmeni. Ja saskarities ar šķērslī, kas liek izstrādājumam apstāties, nomainiet bojāto asmeni. Lai apkopes centra pārstāvis novērtē, vai asmens ir jāuzasina, vai arī tas ir jānomaina.

Asmens maiņa

1. Fiksējiet asmeni ar koka kluci. (Att. 50)
2. Izskrūvējiet asmens skrūvi.
3. Noņemiet asmeni.
4. Pārbaudiet, vai asmens adapteris un asmens skrūve nav bojāta.
5. Pārbaudiet, vai dzinēja vārpsta nav saliekta.
6. Kad piestiprināt jauno asmeni, vērsiet asmens galus griešanas pārsega virzienā. (Att. 51)
7. Pārliecinieties, vai asmens ir salāgots ar dzinēja vārpstas centru.
8. Fiksējiet asmeni ar koka kluci. (Att. 52)
9. Piestipriniet asmeni.
 - a) Modelim LC 551SP, LC 551VQ: piestipriniet atsperpaplāksni un pievelciet skrūvi un paplāksni ar 70 Nm griezes momentu.
 - b) Modelim LC 551VBP pievelciet skrūves ar 50 Nm griezes momentu. (Att. 53)
10. Ar roku pagrieziet asmeni un pārbaudiet, vai tas griežas brīvi.



BRĪDINĀJUMS: Uzvelciet biezus cimdus. Asmens ir ļoti ass, un ar to var viegli gūt traumas.

11. Iedarbiniet izstrādājumu, lai pārbaudītu asmeni. Ja asmens nav pareizi piestiprināts, izstrādājums vibrē vai plaušanas rezultāts nav apmierinošs.

Eļļas līmeņa pārbaude



IEVĒROJIET: Pārāk zems eļļas līmenis var izraisīt dzinēja bojājumus. Pirms iedarbināt izstrādājumu, pārbaudiet eļļas līmeni.

1. Novietojiet izstrādājumu uz līdzenas virsmas.
2. Noņemiet eļļas tvertnes vāciņu ar piestiprināto mērstieni.
3. Noīriet no mērstieņa eļļu.
4. Pilnībā ievietojiet mērstieni eļļas tvertnē. Pievelciet eļļas tvertnes vāciņu, lai pareizi pārbaudītu eļļas līmeni.
5. Izņemiet mērstieni.
6. Pārbaudiet eļļas līmeni uz mērstieņa.
7. Ja eļļas līmenis ir pārāk zems, uzpildiet dzinēja eļļu un pārbaudiet eļļas līmeni vēlreiz.

(Att. 54)

Piezīme: Lai novērstu eļļas izšļakstīšanos, izmantojiet piltuvi.

Dzinēja eļļas maiņa



BRĪDINĀJUMS: Uzreiz pēc dzinēja izslēgšanas dzinēja eļļa ir ļoti karsta. Ļaujiet dzinējam atdzist, pirms izlejiet dzinēja eļļu. Ja dzinēja eļļa ir uzšļakstījusies uz ādas, nomazgājiet to ar ziepēm un ūdeni.

(Att. 55)

1. Noņemiet aizdedzes vadu no aizdedzes sveces.
2. Noņemiet eļļas tvertnes vāciņu.
3. Izteciet dzinēja eļļu.
 - a) Modeļiem ar eļļas izliešanas aizbāzni: Novietojiet tvertni zem eļļas izliešanas aizbāžņa, lai savāktu dzinēja eļļu.
 - b) Modeļiem bez eļļas izliešanas aizbāžņa vai arī, ja zem eļļas izliešanas aizbāžņa nav iespējams novietot tvertni: Izmantojiet eļļas sūknī (papildaprīkojums), lai izvadītu eļļu no eļļas tvertnes.
4. Iepildiet jaunu dzinēja eļļu, kuras tips atbilst ieteikumiem *Tehniskie dati lpp. 222*.
5. Pārbaudiet eļļas līmeni. Skatiet šeit: *Eļļas līmeņa pārbaude lpp. 220*.

Dzinēja eļļas uzpilde un maiņa

- Lai iegūtu informāciju par to, kā uzpildīt un nomainīt dzinēja eļļu, skatiet dzinēja lietotāja rokasgrāmatu.

Gaisa filtra tīrīšana un maiņa (LC 5551SP, LC 551VBP)

- Lai iegūtu informāciju par to, kā iztīrīt un nomainīt gaisa filtru, skatiet dzinēja lietotāja rokasgrāmatu.

Gaisa filtra noņemšana un uzstādīšana (LC 551VQ)



BRĪDINĀJUMS: Lietojiet aizsargcimdus.

- Piespiediet skavas, kas fiksē gaisa filtra pārsegu.
- Uzmanīgi noņemiet no dzinēja gaisa filtra pārsegu (A).
- Noņemiet gaisa filtru (B) un putu filtru (C). (Att. 56)
- Pārbaudiet, vai gaisa filtrs nav bojāts. Nomainiet bojātu gaisa filtru.
- Iztīriet un pārbaudiet gaisa filtru. Skatiet šeit: *Gaisa filtra tīrīšana (LC 551VQ) lpp. 221.*
- Uzstādiet, veicot darbības pretējā secībā.

Gaisa filtra tīrīšana (LC 551VQ)



IEVĒROJIET: Nedarbiniet dzinēju, ja nav pievienots gaisa filtrs vai tas ir netīrs.



IEVĒROJIET: Ja gaisa filtru nevar pilnībā iztīrīt vai tas ir bojāts, nomainiet to. Bojāts gaisa filtrs rada dzinēja bojājumus.

- Nospiediet fiksatora izciļņus (A), noņemiet gaisa filtra pārsegu (B) un izņemiet gaisa filtru (C). (Att. 57)
- Pasīti gaisa filtru pret cietu virsmu vai pūti caur filtru saspiestu gaisu no tā tīrās puses.



IEVĒROJIET: Neizmantojiet suku, lai noņemtu netīrumus, jo tādējādi netīrumi tiek iespiesti gaisa filtrā.

- Tīriet gaisa filtra turētāju (D) un gaisa filtra pārsegu ar mitru drānu.



IEVĒROJIET: Pārļiecinieties, ka gaisa kanālā (E) neiekļūst netīrumi.

- Uzstādiet gaisa filtru. Pārbaudiet, vai gaisa filtrs pilnībā balstās pret gaisa filtra turētāju.

- Uzstādiet gaisa filtra pārsegu ar apakšējiem izciļņiem vispirms.

Aizdedzes sveces pārbaude



IEVĒROJIET: Vienmēr lietojiet ieteikto aizdedzes sveces tipu. Nepiemērota aizdedzes svece var radīt izstrādājuma bojājumus.

- Pārbaudiet aizdedzes sveci, ja dzinējam nepietiek jaudas, dzinēju nevar viegli iedarbināt vai arī tas nedarbojas pareizi tukšgaitā.
- Lai samazinātu nevēlamu materiālu uzkrāšanos uz aizdedzes sveces elektrodiem, ievērojiet turpmākos norādījumus.
 - Pārļiecinieties, vai tukšgaitas apgriezību skaits ir noregulēts pareizi.
 - Pārļiecinieties, vai degvielas maisījums ir atbilstošs.
 - Pārļiecinieties, vai gaisa filtrs ir tīrs.
- Ja aizdedzes svece ir netīra, notīriet to un pārbaudiet, vai atstatums starp elektrodiem ir pareizs; skatiet šeit: *Tehniskie dati lpp. 222.* (Att. 58)
- Ja nepieciešams, nomainiet aizdedzes sveci.

Degvielas sistēmas pārbaude

- Pārbaudiet degvielas tvertnes vāciņu un degvielas tvertnes vāciņa blīvi, lai pārļiecinātos, vai nav bojājumu.
- Pārbaudiet degvielas šļūtenes, lai pārbaudītu, vai nav noplūdes. Ja degvielas šļūtene ir bojāta, ļaujiet servisa pārstāvim to nomainīt.

Apgriezienu skaita regulēšanas un droseles vadības sviras regulēšana

Apgriezienu skaita regulēšanas svira regulē piedziņas ātrumu. Droseles vadības svira regulē dzinēja ātrumu.



IEVĒROJIET: Ja dzinējs darbojas, neveiciet apgriezienu skaita regulēšanu.

- Lai pielāgotu piedziņas ātrumu, pagrieziet regulēšanas skrūvi (A), pielāgojot vada apvalka garumu. Lai palielinātu piedziņas ātrumu, saīsiniet vada apvalku.
- Ja gaisa vārsta pozīciju vai apturēšanas pozīciju nevar saslēgt, regulējiet dzinēja apgriezienu. Griezieta regulēšanas skrūvi (B). (Att. 59)

Pārvadāšana, glabāšana un utilizēšana

Transportēšana un glabāšana

- Attiecībā uz izstrādājuma un degvielas glabāšanu un transportēšanu pārliecinieties, vai nav noplūdes vai tvaiku. Dzirksteles vai atklātas liesmas, ko rada, piemēram, elektroierīces vai tvaika katli, var izraisīt ugunsgrēku.
- Vienmēr izmantojiet apstiprinātas tvertnes degvielas glabāšanai un transportēšanai.
- Iztukšojiet degvielas tvertni, pirms novietojat izstrādājumu glabāšanai uz ilgāku laiku. Nododiet degvielu piemērojamā utilizēšanas vietā.
- Transportēšanas laikā droši nostipriniet izstrādājumu, lai novērstu bojājumus un negadījumus.
- Glabājiet izstrādājumu norobežotā vietā, lai novērstu to, ka tam var piekļūt bērni vai personas, kam tas nav atļauts.

- Glabājiet izstrādājumu sausā vietā, kurā temperatūra nepazeminās zem 0°C.

Utilizēšana

- Ievērojiet vietējās pārstrādes prasības un piemērojamos noteikumus.
- Utilizējiet visas ķīmikālijas, piemēram, dzinēja eļļu vai degvielu, servisa centrā vai piemērojamā utilizācijas vietā.
- Kad izstrādājums vairs netiek izmantots, nosūtiet to Husqvarna izplatītājam vai nogādājiet to pārstrādes vietā.

Tehniskie dati

	LC 551SP	LC 551VBP	LC 551VQ
Dzinējs			
Zīmols	Kawasaki	Kawasaki	Husqvarna
Modelis	FJ180V	FJ180V	HS 166AP
Dzinēja tips	Viencilindra, 4 taktu, piespiedu gaisa dzeššana, OHV	Viencilindra, 4 taktu, piespiedu gaisa dzeššana, OHV	Viencilindra, 4 taktu, piespiedu gaisa dzeššana, OHV
Dzinēja darba tilpums, cm ³	179	179	166
Ātrums, apgr./min	2800	2800	2800
Dzinēja nomināljauda, kW ⁷⁶	2,9	2,9	2,7
Aizdedzes sistēma			
Aizdedzes svece	NGK BPR5ES	NGK BPR5ES	Husqvarna HQT-7
Atstatums starp elektrodziem, mm	0,6–0,8	0,6–0,8	0,7-0,8
Degvielas un eļļošanas sistēma			
Dzinēja eļļošanas veids	Spiediens ar eļļas filtru	Spiediens ar eļļas filtru	Šķaidēļļošana
Degvielas tvertnes tilpums, l	1,9	1,9	1,5
Eļļas tvertnes tilpums, l	0,7	0,7	0,5

⁷⁶ Maksimāli pieļaujamā dzinēja jauda ir vidējā tipiskā ražošanas dzinēja neto jauda (pēc noteiktajiem apgr./min.) dzinēja modelim, kas mērīta pēc SAE standarta J1349/ISO1585. Vairumam dzinēju šis lielums var atšķirties no šeit norādītā. Faktiskā izejas jauda dzinējam, kas uzstādīts gala izstrādājumam, būs atkarīga no darbības ātruma, vides apstākļiem un citiem lielumiem.

	LC 551SP	LC 551VBP	LC 551VQ
Dzinēja eļļa ⁷⁷	Husqvarna SAE 30	Husqvarna SAE 30	Husqvarna SAE 30
Svars			
Svars ar tukšu tvertni, kg	48,5	52,5	51,0
Trokšņa emisija ⁷⁸			
Skaņas jaudas līmenis, izmērītais dB (A)	97	96	97
Skaņas jaudas līmenis, garantētais L _{WA} dB (A)	98	98	98
Skaņas līmeņi ⁷⁹			
Skaņas spiediena līmenis pie operatora auss, dB (A)	87	84	86
Vibrācijas līmeņi ⁸⁰			
Rokturis, m/s ²	4,5	4,5	3,2
Pļaušanas aprīkojums			
Pļaušanas augstums, mm	26–74	26–74	26–74
Pļaušanas platums, mm	510	510	510
Asmens	Collect	Collect	Collect
Izstrādājuma numurs	5875908-10	5821494-10	5875908-10
Zāles savācēja ietilpība, l	65	65	65
Braukšana			
Ātrums, km/h	4,1	2,8–5	2,8–5

⁷⁷ Ja eļļu SAE-30 lieto, kad temperatūra ir zemāka par +5 °C, pastāv nepietiekamas dzinēja eļļošanas risks. Tas var izraisīt dzinēja bojājumus. Skatiet šeit: *Dzinēja eļļas maiņa lpp. 220* Informācija par zemu temperatūrai piemērotu eļļu.

⁷⁸ Atbilstoši EK direktīvai 2000/14/EK trokšņa emisija apkārtņē ir mērīta kā akustiskā jauda (L_{WA}).

⁷⁹ Skaņas spiediena līmenis atbilstoši standartam ISO 5395. Sniegtajos datos par skaņas spiediena līmeni tipiskā statistiskā izkliede ir 1,2 dB(A) (standartnovirze).

⁸⁰ Vibrācijas līmenis atbilstoši ISO 5395. Sniegtajos datos par vibrācijas līmeni tipiska statistiskā izkliede ir 0,2 m/s² (standarta novirze).

Atbilstības deklarācija

ES atbilstības deklarācija

Mēs, **Husqvarna AB**, SE-561 82 Huskvarna, Zviedrija, tālr. +46-36-146500, ar pilnu atbildību apliecinām, ka šis izstrādājums:

Apraksts	Zāles pļaujmašīna
Zīmols	Husqvarna
Tips/modelis	LC 551SP, LC 551VBP, LC 551VQ
Identifikācija	Ar sērijas numuriem no 2022 un turpmākiem sērijas numuriem

pilnībā atbilst šādām ES direktīvām un noteikumiem:

Noteikums	Apraksts
2006/42/EK	“par iekārtām”
2014/30/ES	“par elektromagnētisko savietojamību”
2000/14/EK	“par trokšņa emisiju vidē”
2011/65/ES	Par dažādu bīstamo vielu lietošanas ierobežojumiem elektriskajos un elektroniskajos aprīkojumos

un ir ievēroti zemāk norādītie saskaņotie standarti un/vai tehniskie dati: EN ISO 5395-1:2013/A1:2018, EN ISO 5395-2:2013/A1:2016/A2:2017, EN ISO 14982:2009, EN IEC 63000:2018

Informētā valsts iestāde: 0404, RISE SMP Svensk Maskinprovning AB, Box 4053, SE-904 03 Umeå, Sweden ir apstiprinājusi atbilstību Eiropas Padomes direktīvai 2000/14/EK, atbilstības izvērtēšanas kārtībai: VI pielikums.

Lai iegūtu informāciju par trokšņa emisiju, skatiet šeit: *Tehniskie dati lpp. 222.*

Huskvarna, 2022-09-29



Claes Losdal, nodaļas vadītājs/dārzkopības izstrādājumi, Husqvarna AB

Atbildīgais par tehnisko dokumentāciju



Inhoud

Inleiding.....	225	Onderhoud.....	232
Veiligheid.....	226	Vervoer, opslag en verwerking.....	235
Montage.....	229	Technische gegevens.....	235
Werking.....	230	Verklaring van overeenstemming.....	237

Inleiding

Productbeschrijving

Het product is een roterende duwmaaier. Het gras wordt verzameld in een grasopvangbak. Verwijder de grasopvangbak om het gras aan de achterkant af te voeren. Bevestig een mulchkit (accessoire) om het gras te snijden tot meststof.

Productoverzicht

(Fig. 1)

1. Motorremhendel
2. Hendel / handgreep
3. Toerentalregeling
4. Aandrijfhendel
5. Startkoordgreep
6. Grasopvangbak
7. Hoogteafstelling van de duwboom
8. Maaihoogteregeling

Productoverzicht

(Fig. 2)

1. Hendel / handgreep
2. Mesremregeling (LC 551VBP)
3. Toerenregeling/gashendel (LC 551VBP)
4. Aandrijfhendel (LC 551VBP)
5. Startvergrendeling (LC 551VBP)
6. Startkoordgreep
7. Grasopvangbak
8. Hoogteafstelling van de duwboom
9. Maaihoogteregeling
10. Peilstok/olietank
11. Kap van maaidek
12. Geluiddemper
13. Bougie
14. LuchtfILTER
15. Brandstoftank
16. Achterklep
17. Motorremhendel (LC 551SP)
18. Gashendel (LC 551SP)
19. Aandrijfhendel (LC 551SP)
20. Bedieningshandleiding

Gebruik

Gebruik het product om gras te maaien. Gebruik het product niet voor andere taken.

9. Peilstok/olietank
10. Kap van maaidek
11. Geluiddemper
12. Bougie
13. LuchtfILTER
14. Brandstoftank
15. Achterklep
16. Bedieningshandleiding

Symbolen op het product

- (Fig. 3) Onzorgvuldig of onjuist gebruik kan leiden tot letsel of overlijden van de gebruiker of omstanders.
- (Fig. 4) Lees de bedieningshandleiding zorgvuldig door en zorg dat u de instructies hebt begrepen voordat u het product gebruikt.
- (Fig. 5) Houd personen en dieren op veilige afstand van het werkgebied.
- (Fig. 6) Zet de motor uit en verwijder de ontstekingskabel voordat u reparaties of onderhoud uitvoert.
- (Fig. 7) Olie
- (Fig. 8) Snel
- (Fig. 9) Langzaam
- (Fig. 10) Stop de motor

- (Fig. 11) Choke
- (Fig. 12) Bladkoppeling
- (Fig. 13) Kijk uit voor weggeslingerde en afgeketste voorwerpen.
- (Fig. 14) Houd handen en voeten uit de buurt van het roterende mes.
- (Fig. 15) Houd handen en voeten uit de buurt van de draaiende delen.
- (Fig. 16) Dit product voldoet aan de geldende EU-richtlijnen.
- (Fig. 17) Dit product voldoet aan geldende VK-regelgeving.
- (Fig. 18) Geluidsemissies naar het omgevingslabel volgens de richtlijnen en voorschriften van de EU en het VK en de wetgeving van Nieuw-Zuid-Wales "Protection of the Environment Operations (Noise Control) Regulation 2017". Het gegarandeerde geluidsvermogensniveau van het product staat vermeld in *Technische gegevens op pagina 235* en op het label
- (Fig. 19) Uitlaatgassen van de motor bevatten koolmonoxide, een geurloos, giftig en uiterst gevaarlijk gas. Laat het product nooit binnenshuis of in gesloten ruimten draaien.
- (Fig. 20) Laat het product nooit binnenshuis of in gesloten ruimten draaien.
- (Fig. 21) Explosiegevaar.

- (Fig. 22) Warm oppervlak
- (Fig. 23) De motor wordt geleverd zonder olie.
- (Fig. 24) Vul olie bij voordat u het product gebruikt.
- (Fig. 25) Gebruik geen E85-brandstof.
- (Fig. 26) Houd het product uit de buurt van open vuur.
- (Fig. 27) Scanbare code.

Let op: Andere symbolen/plaatjes op het product hebben betrekking op marktspecifieke wettelijke vereisten.

Euro V-emissies



WAARSCHUWING: De EU-typegoedkeuring van dit product vervalt als ongeoorloofde wijzigingen aan de motor aangebracht worden.

Productaansprakelijkheid

Zoals uiteengezet in de wet voor productaansprakelijkheid zijn wij niet aansprakelijk voor schade die door ons product wordt veroorzaakt, indien:

- het product niet goed is gerepareerd.
- het product is gerepareerd met onderdelen die niet van de fabrikant afkomstig zijn, of onderdelen die niet zijn goedgekeurd door de fabrikant.
- het product een accessoire bevat dat niet afkomstig is van de fabrikant of niet is goedgekeurd door de fabrikant.
- het product niet is gerepareerd door een erkend servicepunt of door een erkende autoriteit.

Veiligheid

Veiligheidsdefinities

Waarschuwingen, voorzorgsmaatregelen en opmerkingen worden gebruikt om te wijzen op belangrijke delen van de handleiding.



WAARSCHUWING: Wordt gebruikt om te wijzen op de kans op ernstig of fataal letsel voor de gebruiker of omstanders wanneer de instructies in de handleiding niet worden gevolgd.



OPGELET: Wordt gebruikt indien er een risico bestaat op schade aan het product en andere eigendommen of aan

de omgeving wanneer de instructies in de handleiding niet worden gevolgd.

Let op: Geven verdere informatie die nodig is in een bepaalde situatie.

Algemene veiligheidsinstructies



WAARSCHUWING: Lees de volgende waarschuwingen voordat u het product gaat gebruiken.

- Dit product is gevaarlijk als het verkeerd wordt gebruikt, of als u niet voorzichtig bent. Letsel

of overlijden kunnen het gevolg zijn als u de veiligheidsvoorschriften negeert.

- Dit product produceert tijdens bedrijf een elektromagnetisch veld. Dit veld kan onder bepaalde omstandigheden de werking van actieve of passieve medische implantaten verstoren. Om het risico op ernstig of dodelijk letsel te beperken, raden we personen met een medisch implantaat aan om contact op te nemen met hun arts en de fabrikant van het medische implantaat alvorens dit product te gaan gebruiken.
- Wees altijd voorzichtig en gebruik uw gezond verstand. Als u niet zeker weet hoe u het product moet bedienen in een bepaalde situatie, stop dan en informeer bij uw Husqvarna dealer voordat u verdergaat.
- Denk erom dat de bediener of gebruiker verantwoordelijk is voor ongelukken of beschadigingen aan eigendommen.
- Houd het product schoon. Zorg ervoor dat u de aanduidingen en stickers duidelijk kunt lezen.
- Laat niemand het product gebruiken tenzij u zeker weet dat deze de inhoud van de gebruikershandleiding hebben gelezen en begrepen.
- Laat het product niet door een kind bedienen.
- Houd kinderen uit het werkgebied. Er moet te allen tijde een verantwoordelijke volwassene aanwezig zijn.
- Laat het product niet bedienen door een persoon die de instructies niet heeft gelezen.
- Houd personen met een lichamelijke of geestelijke beperking die het product gebruiken, altijd in de gaten. Er moet te allen tijde een verantwoordelijke volwassene aanwezig zijn.
- Gebruik het product nooit als u moe of ziek bent, of onder invloed van alcohol, drugs of medicijnen verkeert. Dit heeft een negatief effect op uw visie, alertheid, coördinatie en oordeel.
- Gebruik het product niet als het defect is.
- Wijzig dit product niet of gebruik het niet als het door anderen kan zijn gewijzigd.
- Wijzig de afstelling voor de motortorentalregeling niet.

Veiligheid van het werkgebied



WAARSCHUWING: Lees de volgende waarschuwingen voordat u het product gaat gebruiken.

- Verwijder objecten zoals takken, twijgen en stenen uit het werkgebied voordat u het product gaat gebruiken.
- Objecten die tegen de snijuitrusting aankomen, kunnen worden uitgeworpen en schade veroorzaken aan personen en objecten. Houd omstanders en dieren op veilige afstand van het product.
- Gebruik het product nooit in slechte weersomstandigheden zoals mist, regen, sterke

wind, hevige kou of als er gevaar is voor blikseminslag. Het gebruik van dit product bij slecht weer of op vochtige of natte plaatsen is vermoeiend. Slecht weer kan leiden tot gevaarlijke situaties zoals gladde ondergronden.

- Kijk uit voor personen, objecten en situaties die een veilig gebruik van het product kunnen verhinderen.
- Kijk uit voor obstakels zoals wortels, stenen, takjes, kuilen en greppels. Obstakels kunnen moeilijk te zien zijn door hoog gras.
- Gras maaien op hellingen kan gevaarlijk zijn. Gebruik het product niet op een helling van meer dan 15°.
- Gebruik het product dwars over het oppervlak van hellingen. Ga niet van boven naar beneden.
- Wees voorzichtig wanneer u in de buurt komt van onoverzichtelijke bochten en voorwerpen die uw zicht kunnen belemmeren.

Werkveiligheid



WAARSCHUWING: Lees de volgende waarschuwingen voordat u het product gaat gebruiken.

- Gebruik dit product alleen om gazons te maaien. Het is niet toegestaan om het product voor andere doeleinden te gebruiken.
- Maak altijd gebruik van persoonlijke beschermingsmiddelen. Zie *Persoonlijke beschermingsuitrusting* op pagina 228.
- Zorg ervoor dat u weet hoe u de motor in een noodsituatie snel kunt stoppen.
- Start de motor nooit in een gesloten ruimte of in de buurt van brandbaar materiaal. De uitlaatdampen van de motor zijn heet en kunnen vonken bevatten die brand kunnen veroorzaken.
- Gebruik dit product alleen als het mes en alle afdekkingen correct zijn bevestigd. Een verkeerd bevestigd mes kan losraken en letsel veroorzaken.
- Zorg ervoor dat het mes geen voorwerpen raakt zoals stenen en wortels. Hierdoor kan het mes beschadigen en de motoras verbuigen. Een gebogen as veroorzaakt zware trillingen en een zeer groot risico dat het mes losraakt.
- Stop het product onmiddellijk als het mes een voorwerp wordt geraakt of als zich trillingen voordoen. Ontkoppel de ontstekingskabel van de bougie. Controleer het product op schade. Repareer schade of laat een erkende servicewerkplaats de reparatie uitvoeren.
- Bevestig de motorremhendel nooit permanent aan de handgreep wanneer de motor wordt gestart.
- Plaats het product op een stabiele, vlakke ondergrond en start het. Zorg ervoor dat het mes niet in aanraking komt met de grond of andere voorwerpen.
- Blijf altijd achter het product wanneer u het gebruikt.

- Zorg dat alle wielen op de grond blijven en houd 2 handen op de handgreep tijdens de bediening van het product. Houd uw handen en voeten uit de buurt van de roterende messen.
- Kantel het product niet terwijl de motor draait.
- Wees voorzichtig wanneer u het product naar achteren trekt.
- Til het product nooit op terwijl de motor draait. Als het product toch moet worden opgetild, zet dan eerst de motor uit en ontkoppel de ontstekingskabel van de bougie.
- Loop niet achteruit wanneer u het product bedient.
- Stop de motor als u in gebieden zonder gras komt, bijvoorbeeld op paden van grind, stenen en asfalt.
- Loop niet hard met het product wanneer de motor is ingeschakeld. Loop altijd rustig wanneer u het product bedient.
- Zet de motor uit voordat u de maaihoogte wijzigt. Voer nooit afstellingen uit terwijl de motor draait.
- Houd altijd toezicht op het product wanneer de motor draait. Schakel de motor uit en zorg ervoor dat de snijuitrusting niet draait.

- Voer geen aanpassingen uit aan veiligheidsvoorzieningen.

De kap van het maaidek controleren

De kap van het maaidek vermindert trillingen in het product en vermindert het risico op letsel door het mes.

- Controleer de kap van het maaidek om te zien of er geen schade is, zoals barsten.

De remhendel van de motor controleren (LC 551SP, LC 551VQ)

De motorrem schakelt de motor uit. Als de remhendel van de motor wordt losgelaten, stopt de motor.

- Start de motor en laat vervolgens de remhendel van de motor los. Als de motor niet binnen 3 seconden stopt, laat u een erkende Husqvarna servicewerkplaats de motorrem afstellen. (Fig. 28)

De mesremregeling en de startblokkering controleren (LC 551VBP)

De mesremregeling stopt alleen het mes en niet de motor. Als de mesremregeling wordt losgelaten, stopt het mes.

1. Start de motor.
2. Druk de mesremregeling in de richting van de handgreep. De startvergrendeling stopt de beweging.
3. Duw de startvergrendeling naar buiten.
4. Druk de mesremregeling in de richting van de handgreep. Het mes begint te draaien.
5. Laat de mesremregeling los. Als het mes niet binnen 3 seconden stopt, laat u een erkende Husqvarna servicewerkplaats de mesrem afstellen. (Fig. 29)
6. Zorg ervoor dat de startblokkering weer terugkeert naar de oorspronkelijke stand.

Geluiddemper

De uitlaatdemper is bedoeld om het geluidsniveau zo laag mogelijk te houden en om de uitlaatgassen weg te voeren van de gebruiker.

Gebruik het product niet als de demper ontbreekt of beschadigd is. Bij een defecte uitlaatdemper stijgt het geluidsniveau en neemt het risico op brand toe.

Veiligheidsinstructies voor bediening

Persoonlijke beschermingsuitrusting



WAARSCHUWING: Lees de volgende waarschuwingen voordat u het product gaat gebruiken.

- Persoonlijke beschermingsuitrusting kunnen niet alle risico's uitsluiten maar kunnen de ernst van eventueel letsel helpen beperken. Vraag uw dealer u te helpen bij het kiezen van de juiste beschermingsmiddelen.
- Gebruik gehoorbescherming als het geluidsniveau hoger is dan 85 dB.
- Gebruik zware antisliplaarzen of -schoenen. Draag geen open schoenen en loop niet op blote voeten.
- Draag een lange broek van stevige stof.
- Draag zo nodig beschermende handschoenen, bijvoorbeeld bij het monteren, inspecteren of reinigen van de snijuitrusting.

Veiligheidsvoorzieningen op het product



WAARSCHUWING: Lees de volgende waarschuwingen voordat u het product gaat gebruiken.

- Gebruik geen producten met veiligheidsvoorzieningen die beschadigd zijn of niet correct werken.
- Controleer de veiligheidsvoorzieningen regelmatig op een juiste werking. Als de veiligheidsvoorzieningen beschadigd zijn of niet goed werken, neem dan contact op met uw Husqvarna servicewerkplaats.



WAARSCHUWING: De uitlaatdemper wordt erg heet tijdens en na gebruik en wanneer de motor draait bij stationair toerental. Wees voorzichtig in de buurt van brandbare materialen en/of dampen om brand te voorkomen.

Geluiddemper controleren

- Inspecteer de uitlaatdemper regelmatig om te verifiëren of die goed vastzit en niet beschadigd is.

Brandstofveiligheid



WAARSCHUWING: Lees de volgende waarschuwingen voordat u het product gaat gebruiken.

- Start het product niet als er brandstof of motorolie op het product aanwezig is. Verwijder de ongewenste brandstof/olie en laat het product drogen.
- Als u brandstof op uw kleding morst, trek dan direct andere kleding aan.
- Zorg dat er geen brandstof op uw lichaam terecht komt, dit kan letsel veroorzaken. Als er brandstof op uw lichaam terecht komt, verwijder deze dan met water en zeep.
- Start het product niet als er sprake is van een motorlekkage. Controleer de motor regelmatig op lekkage.
- Wees voorzichtig met brandstof. Brandstof is licht ontvlambaar en de dampen zijn explosief. Ze kunnen letsel veroorzaken of leiden tot de dood.
- Adem geen brandstofdampen in, dit kan letsel veroorzaken. Zorg voor voldoende ventilatie.
- Rook niet in de buurt van de brandstof of de motor.
- Plaats geen warme voorwerpen in de buurt van de brandstof of de motor.
- Vul geen brandstof bij terwijl de motor is ingeschakeld.
- Zorg ervoor dat de motor koud is wanneer u brandstof bijvult.
- Draai de tankdop langzaam open en laat de druk voorzichtig ontsnappen voordat u brandstof bijvult.
- Vul geen brandstof voor de motor bij in een afgesloten ruimte. Onvoldoende ventilatie kan leiden tot ernstig letsel of de dood door verstikking of het inademen van koolmonoxide.
- Draai de tankdop volledig aan. Als de tankdop niet volledig is aangedraaid, bestaat een risico op brand.
- Verplaats het product minstens 3 m van de plaats waar u de brandstoftank hebt gevuld, voordat u het product start.

- Vul de brandstoftank niet volledig. Door hitte zet de brandstof uit. Zorg ervoor dat er ruimte overblijft aan de bovenkant van de brandstoftank.

Veiligheidsinstructies voor onderhoud



WAARSCHUWING: Lees de volgende waarschuwingen voordat u het product gaat gebruiken.

- Uitlaatgassen van de motor bevatten koolmonoxide, een geurloos, giftig en uiterst gevaarlijk gas. Start de motor nooit binnenshuis of in gesloten ruimten.
- Voordat u het onderhoud van het product uitvoert, zet u de motor uit en verwijderd u de ontstekingskabel van de bougie.
- Draag beschermende handschoenen wanneer u onderhoud aan de snijuitrusting uitvoert. Het mes is zeer scherp en kan gemakkelijk snijwonden veroorzaken.
- Accessoires en wijzigingen aan het product die niet zijn goedgekeurd door de fabrikant, kunnen leiden tot ernstig letsel of overlijden. Breng geen wijzigingen aan het product aan. Gebruik alleen accessoires die zijn goedgekeurd door de fabrikant.
- Als het onderhoud niet correct en regelmatig wordt uitgevoerd, neemt de kans op letsel of schade aan het product toe.
- Voer alleen onderhoud uit zoals beschreven in deze gebruikershandleiding. Alle overige onderhoudswerkzaamheden moeten worden uitgevoerd door een erkende Husqvarna servicewerkplaats.
- Laat een erkende Husqvarna servicewerkplaats regelmatig onderhoud aan het product uitvoeren.
- Vervang beschadigde, versleten of defecte onderdelen.

Montage

Inleiding



WAARSCHUWING: Voordat u het product gaat monteren, dient u het hoofdstuk over veiligheid te lezen en hebben begrepen.



WAARSCHUWING: Verwijder de bougiekabel van de bougie voordat u het product monteert.

Hendel monteren

1. Draai de onderste knoppen aan de linkerkant en de rechterkant van het product los. Zorg ervoor dat de kunststof ring in de uitsparing in de handgriepconsole zit. (Fig. 30)
2. Breng de hendel naar voren geklapt aan, zoals afgebeeld. (Fig. 31)
 - a) Zorg ervoor dat de kunststof ring zich tussen de handgreep en de handgriepconsole bevindt.
 - b) Bevestig de handgreep aan de handgriepconsole.
3. Til de hendel omhoog. (Fig. 32)

4. Draai de knoppen volledig vast. Voor het afstellen van de hoogte van de hendel, zie *Hoogte van de hendel afstellen op pagina 230*.
5. Plaats de kabels in de kabelbeugels. Controleer of de kabels niet verdraaid zijn. Bevestig de kabelbeugels aan de hendel. (Fig. 33)
6. Gebruik een kabelbinder om de kabels aan de handgriepconsole te bevestigen. (Fig. 34)
2. Bevestig de onderzijde van het frame van de grasopvangbak aan de onderzijde van de grasopvangbak. (Fig. 39)
 - a) Duw het frame van de grasopvangbak in de groef. Begin aan de rechterkant, zoals weergegeven in de afbeelding, en werk naar links.

Hoogte van de hendel afstellen

1. Draai de onderste knoppen los.
2. Beweeg de knoppen naar het onderste uiteinde van de sleuven aan de linker- en rechterzijde van het product. (Fig. 35)
3. Stel de hendelhoogte af op een van de twee beschikbare posities.
4. Beweeg de knoppen omhoog naar de handgreep tot de aanslag en u een klik hoort. (Fig. 36)
5. Draai de knoppen volledig vast.

Product in de transportstand zetten

1. Verwijder de grasopvangbak.
2. Draai de onderste knoppen los.
3. Beweeg de knoppen naar het onderste uiteinde van de sleuven aan de linker- en rechterzijde van het product. (Fig. 35)
4. Klap de hendel naar voren. (Fig. 37)

Product in de werkstand zetten

1. Til de handgreep omhoog. (Fig. 32)
2. Beweeg de knoppen omhoog naar de handgreep tot de aanslag en u een klik hoort. (Fig. 36)
3. Draai de knoppen volledig vast.

Grasopvangbak monteren

1. Breng het frame van de grasopvangbak aan in de graszak met het stevige gedeelte van de zak aan de onderzijde. Zorg dat de hendel van het frame aan de bovenkant van de graszak blijft. (Fig. 38)

3. Wanneer het frame van de grasopvangbak niet eenvoudig kan worden bevestigd, tikt u met een rubberen hamer voorzichtig tegen het frame van de grasopvangbak. Tik tussen de verstevigingen van het frame van de grasopvangbak. (Fig. 40)
4. Bevestig de graszak met de klemmen aan het frame van de grasopvangbak. (Fig. 41)
5. Til de achterklep op.
6. Bevestig de grasopvangbak aan de bovenrand van het chassis.
7. Plaats het onderste deel van de grasopvangbak in het grasuitwerpkanaal. (Fig. 42)

Mulchplug monteren (accessoire)

1. Til de achterklep op en verwijder de grasopvangbak.
2. Steek de mulchplug in het afvoerkanal. (Fig. 43)
3. Vervang het mes door het in de mulchkit meegeleverde mulchmes. Zie *Mes vervangen op pagina 233*.

Zonder grasopvangbak of mulchplug grasmaaien

- Til de achterklep op en verwijder de grasopvangbak.
- Verwijder aangekoppelde mulchpluggen en mulchmessen.
- Sluit de achterklep voordat u het product gebruikt.

Wanneer u het product gebruikt, wordt het gemaaid gras onder de achterklep uitgeworpen.

Werking

Inleiding



WAARSCHUWING: Voordat u het product gaat gebruiken, dient u het hoofdstuk over veiligheid te lezen en hebben begrepen.

Husqvarna Connect

Husqvarna Connect is een gratis app voor uw mobiele apparaat. De Husqvarna Connect-app biedt uitgebreide functies voor uw Husqvarna-product:

- Uitgebreide productinformatie.
- Informatie over, en hulp bij, onderdelen en onderhoud van uw product.

Husqvarna Connect gebruiken

1. Download de Husqvarna Connect-app op uw mobiele apparaat.
2. Registreer in de Husqvarna Connect-app.
3. Volg de instructies in de Husqvarna Connect-app om verbinding te maken met het product en dit te registreren.

Voordat u het product gaat bedienen

1. Lees de gebruikershandleiding zorgvuldig door en zorg dat u de instructies hebt begrepen.
2. Controleer de snijuitrusting om te zien of deze correct is gemonteerd en afgesteld. Zie *Snijuitrusting controleren op pagina 233*.
3. Vul de brandstoftank. Zie *Brandstof bijvullen op pagina 231*.
4. Vul de olietank en controleer het oliepeil. Zie *Oliepeil controleren op pagina 233*.

Brandstof bijvullen

Gebruik emissiearme of alkylaatzbenzine, indien beschikbaar. Als er geen emissiearme of alkylaatzbenzine beschikbaar is, gebruik dan een loodvrije benzine van goede kwaliteit, of loodhoudende benzine met een octaangetal dat niet lager is dan 90.



OPGELET: Gebruik geen benzine met een octaangetal lager dan 90 RON (87 AKI). Dit kan schade aan het product veroorzaken.

1. Draai de brandstoftankdop langzaam los om de druk te laten ontsnappen.
2. Vul langzaam met een benzinejerrycan. Als u brandstof morst, verwijder deze dan met een doek en laat de resterende brandstof opdrogen. (Fig. 44)
3. Maak het gebied rondom de brandstoftankdop goed schoon.
4. Draai de tankdop volledig aan. Als de tankdop niet volledig is aangedraaid, bestaat een risico op brand.
5. Verplaats het product minstens 3 m (10 ft) van de plaats waar u de brandstoftank hebt gevuld, voordat u het product start.

Maaihoogte afstellen

De maaihoogte is op 6 niveaus verstelbaar.

1. Duw de maaihoogteregeling in de richting van het wiel en vervolgens naar achteren om de snijhoogte te vergroten.
2. Duw de maaihoogteregeling in de richting van het wiel en vervolgens naar voren om de snijhoogte te verlagen. (Fig. 45)



OPGELET: Stel de maaihoogte niet te laag in. Als het oppervlak van het gazon niet waterpas is, kunnen de messen de grond raken.

Het product starten (LC 551VQ)

1. Controleer of de ontstekingskabel is verbonden met de bougie.
2. Blijf achter het product.

3. Houd de motorremhendel tegen de handgreep. (Fig. 46)
4. Houd het startkoord in uw rechterhand.
5. Trek het startkoord langzaam naar buiten totdat u enige weerstand voelt.
6. Krachtig trekken om de motor te starten.

Het product starten (LC 551SP, LC 551VBP)

1. Controleer of de ontstekingskabel is verbonden met de bougie.
2. Blijf achter het product.
3. Stel de gashendel af.
 - a) Als de motor koud is, zet u de gashendel in de chokestand. (Fig. 47)
 - b) Als de motor warm is, zet u de gashendel niet in de chokestand.
4. Houd bij model LC 551SP de motorremhendel tegen de handgreep. (Fig. 46)
5. Houd het startkoord in uw rechterhand.
6. Trek het startkoord langzaam naar buiten totdat u enige weerstand voelt.
7. Krachtig trekken om de motor te starten.
8. Zet de gashendel volledig open.
9. Bij model LC 551VBP:
 - a) Laat de startvergrendeling los.
 - b) Duw de mesremregeling in de richting van de handgreep om de messen te starten.

De aandrijving op de wielen gebruiken

- Trek de aandrijfhendel in de richting van de handgreep. (Fig. 48)
- Voor model LC 551VQ en model LC 551VBP: Stel de aandrijfsnelheid af met de toerenregeling aan de linkzijde van de hendel. Beweeg de toerenregeling naar voren om de snelheid te verhogen en naar achteren om de snelheid te verlagen. (Fig. 49)
- Voordat u het product naar achteren trekt, moet u de aandrijving uitschakelen en het product ongeveer 10 cm naar voren duwen.
- Laat de aandrijfhendel los om de aandrijving uit te schakelen, bijvoorbeeld wanneer u bij een obstakel komt.

Het product stoppen (LC 551SP, LC 551VQ)

- Als u de alleen de aandrijving wilt stoppen, laat u de aandrijfhendel los.
- Als u de motor wilt stoppen, laat u de motorremhendel los.

Het product stoppen (LC 551VBP)

- Als u de alleen de aandrijving wilt stoppen, laat u de aandrijfhendel los.
- Om de motor uit te zetten, zet u de gashendel in de stopstand.

Een goed resultaat verkrijgen

- Gebruik altijd een scherp mes. Een bot mes geeft een onregelmatig resultaat en het snijvlak van het gras wordt geel. Een scherp mes verbruikt ook minder energie dan een bot mes.

- Maai nooit meer dan 1/3e van de lengte van het gras af. Maai eerst met een hoog ingestelde maaihoogte. Controleer het resultaat en verlaag de snijhoogte tot een geschikt niveau. Als het gras echt lang is, rijd dan langzaam en maai zo nodig 2 keer.
- Maai elke keer in een andere richting, om het ontstaan van strepen in het gazon te voorkomen.
- Houd de kap van het maaidek schoon. Door ophoping van gras en vuil aan de binnenkant van de kap van het maaidek kunnen de maairesultaten verminderen. Zie *Binnenoppervlak van de kap van het maaidek reinigen op pagina 233*.

Onderhoud

Inleiding



WAARSCHUWING: Voordat u onderhoud gaat uitvoeren, dient u het hoofdstuk over veiligheid te lezen en hebben begrepen.

Voor alle onderhouds- en reparatiewerkzaamheden aan het product is speciale training nodig. Wij garanderen de beschikbaarheid van professionele reparaties en onderhoud. Indien uw dealer geen servicewerkplaats heeft, vraag hem dan naar de dichtstbijzijnde servicewerkplaats.

Zie www.husqvarna.com voor meer gedetailleerde informatie.

Onderhoudsschema



OPGELET: Zorg ervoor dat het luchtfilter aan de bovenkant zit en de grond niet raakt wanneer u het product kantelt. Risico van schade aan de motor.

De onderhoudsintervallen worden berekend op basis van het dagelijks gebruik van het product. De intervallen veranderen als het product niet dagelijks wordt gebruikt.

Voor onderhoud dat is gemarkeerd met *: zie de instructies in *Veiligheidsvoorzieningen op het product op pagina 228*.

Onderhoud	Elke dag	Wekelijks	Maandelijks
Algemene inspectie uitvoeren	X		
Motoroliepeil controleren	X		
Product reinigen	X		
Snijuitrusting controleren	X		
Kap van het maaidek controleren *	X		
Motorremhendel controleren * LC 551SP, LC 551VQ	X		
Mesremregeling controleren * LC 551VBP	X		
Geluiddemper controleren *		X	
Bougie controleren		X	
Olie verversen (de eerste keer na 5 uur gebruik, vervolgens na elke 50 uur gebruik en jaarlijks)			X
Reinig of vervang het luchtfilter			X
Brandstofsysteem controleren			X

Algemene inspectie uitvoeren

- Controleer of alle moeren en schroeven op het product goed zijn vastgedraaid.

Product reinigen

- Reinig de kunststof onderdelen met een schone en droge doek.
- Gebruik geen water om het product te reinigen. Water kan de accu of de motor binnendringen en kortsluiting of schade aan het product veroorzaken.
- Reinig het product niet met een hogedrukspuit.
- Laat nooit water rechtstreeks op de motor stromen.
- Gebruik een borstel om bladeren, gras en vuil te verwijderen.
- Verwijder het koppelingsdeksel, gebruik een borstel om gras onder het koppelingsdeksel te verwijderen. (LC 551VBP)

Binnenoppervlak van de kap van het maaidek reinigen

1. Leeg de brandstoftank.
2. Plaats het product op zijn kant met de demper naar beneden.



OPGELET: Als het product met het luchtfilter naar beneden wordt geplaatst, kan de motor beschadigd raken.

3. Spuit de binnenkant van het maaidek schoon met water.

Snijuitrusting controleren



WAARSCHUWING: Verwijder de ontstekingskabel van de bougie om te voorkomen dat de motor per ongeluk wordt gestart.



WAARSCHUWING: Draag beschermende handschoenen wanneer u onderhoud aan de snijuitrusting uitvoert. Het mes is zeer scherp en kan gemakkelijk snijwonden veroorzaken.

1. Controleer de snijuitrusting op beschadiging of scheuren. Vervang beschadigde snijuitrusting altijd.
2. Kijk naar het mes om te zien of dit is beschadigd of bot is.

Let op: Het mes moet na het slijpen worden gebalanceerd. Laat het slijpen, vervangen en balanceren door een servicecentrum uitvoeren. Als u een obstakel raakt waardoor het product stopt, vervang dan het beschadigde mes. Laat het servicecentrum beoordelen of het mes kan worden geslepen of moet worden vervangen.

Mes vervangen

1. Zet het mes vast met een houten blok. (Fig. 50)
2. Verwijder de mesbout.
3. Verwijder het mes.
4. Controleer de messteun en de mesbout op beschadigingen.
5. Controleer de motoras om te controleren of deze niet is verbogen.
6. Wanneer u het nieuwe mes bevestigt, richt dan de gebogen uiteinden van het mes naar de kap van het maaidek. (Fig. 51)
7. Controleer of het mes is uitgelijnd met het midden van de motoras.
8. Zet het mes vast met een houten blok. (Fig. 52)
9. Breng het mes aan.
 - a) Bevestig bij model LC 551SP, LC 551VQ de veerring en draai de bout en ring vast met een aanhaalmoment van 70 Nm.
 - b) Draai bij model LC 551VBP de bouten vast met een aanhaalmoment van 50 Nm. (Fig. 53)
10. Draai het mes met de hand rond en controleer of het vrij draait.



WAARSCHUWING: Draag handschoenen van dikke stof. Het mes is zeer scherp en kan gemakkelijk verwondingen veroorzaken.

11. Start het product om het mes te testen. Als het mes niet goed is bevestigd, zijn er trillingen in het product of is het maaire resultaat niet goed.

Oliepeil controleren



OPGELET: Een te laag oliepeil kan ernstige schade aan de motor veroorzaken. Voer een controle van het oliepeil uit voordat u het product start.

1. Zet het product op een vlakke ondergrond.
2. Verwijder de olietankdop met de bijgevoegde peilstok.
3. Veeg de olie van de peilstok.
4. Steek de peilstok volledig in de olietank. Draai de olietankdop vast om een goed beeld van het oliepeil te krijgen.
5. Verwijder de peilstok.
6. Controleer het oliepeil op de peilstok.
7. Als het oliepeil laag is, vult u bij met motorolie en controleert u het oliepeil opnieuw.

(Fig. 54)

Let op: Gebruik een trechter om morsen te voorkomen.

De motorolie verversen



WAARSCHUWING: Motorolie is nog erg heet direct nadat de motor is uitgezet. Laat de motor afkoelen voordat u de motorolie aftapt. Als u motorolie morst op uw huid, was die dan af met water en zeep.

(Fig. 55)

1. Verwijder de ontstekingskabel van de bougie.
2. Verwijder de olietankdop.
3. Tap de motorolie af.
 - a) Voor modellen met een olieaftapplug: Plaats een opvangbak onder de olieaftapplug om de motorolie in op te vangen.
 - b) Voor modellen zonder olieaftapplug of wanneer het niet mogelijk is om een opvangbak onder de olieaftapplug te plaatsen: Gebruik een oliepomp (accessoire) om de motorolie uit de olietank af te tappen.
4. Vul bij met nieuwe motorolie van het type dat wordt aanbevolen in *Technische gegevens op pagina 235*.
5. Controleer het oliepeil. Zie *Oliepeil controleren op pagina 233*.

De motorolie bijvullen en verversen

- Voor informatie over het bijvullen en verversen van de motorolie, raadpleegt u de bedieningshandleiding voor de motor.

Het luchtfilter reinigen en vervangen (LC 5551SP, LC 551VBP)

- Voor informatie over het reinigen en vervangen van het luchtfilter, raadpleegt u de bedieningshandleiding voor de motor.

Het luchtfilter verwijderen en monteren (LC 551VQ)



WAARSCHUWING: Draag veiligheidshandschoenen.

1. Duw de klemmen op het luchtfilterdeksel.
2. Verwijder voorzichtig het luchtfilterdeksel (A) van de motor.
3. Verwijder het luchtfilter (B) en het schuimfilter (C). (Fig. 56)
4. Controleer het luchtfilter op beschadigingen. Vervang een beschadigd luchtfilter.

5. Reinig en controleer het luchtfilter. Zie *Het luchtfilter reinigen (LC 551VQ) op pagina 234*.

6. Monteer in omgekeerde volgorde van verwijderen.

Het luchtfilter reinigen (LC 551VQ)



OPGELET: Laat de motor niet draaien zonder dat er een luchtfilter is gemonteerd of wanneer het luchtfilter vervuild is.



OPGELET: Vervang het luchtfilter als het niet volledig kan worden gereinigd of als het is beschadigd. Een defect luchtfilter veroorzaakt schade aan de motor.

1. Druk op de vergrendelingslippen (A), verwijder het luchtfilterdeksel (B) en verwijder het luchtfilter (C). (Fig. 57)
2. Klop het luchtfilter tegen een hard oppervlak of blaas perslucht door het luchtfilter vanaf de schone zijde van het luchtfilter.



OPGELET: Gebruik geen borstel om vuil te verwijderen, omdat dit het vuil in het luchtfilter duwt.

3. Reinig de luchtfilterhouder (D) en het luchtfilterdeksel met een vochtige doek.



OPGELET: Zorg ervoor dat er geen vuil in het luchtkanaal (E) terecht komt.

4. Breng het luchtfilter aan. Controleer of het luchtfilter de luchtfilterhouder volledig afsluit.
5. Breng het luchtfilterdeksel aan, begin met de lippen aan de onderkant.

Bougie controleren



OPGELET: Gebruik altijd het juiste bougietype. Een verkeerd type bougie kan schade aan het product veroorzaken.

- Controleer de bougie als de motor weinig vermogen heeft, niet gemakkelijk te starten is of stationair niet goed draait.
- Volg deze instructies om het risico van ongewenst materiaal op de elektroden van de bougie te beperken:
 - a) Zorg ervoor dat het stationair toerental altijd juist is afgesteld.
 - b) Zorg dat het brandstofmengsel correct is.
 - c) Zorg dat het luchtfilter schoon is.
- Maak de bougie schoon als deze vuil is en controleer of de afstand tussen de elektroden correct is, zie *Technische gegevens op pagina 235*. (Fig. 58)
- Vervang de bougie indien nodig.

Brandstofsysteem controleren

- Controleer de brandstoftankdop en de afdichting van de brandstoftankdop om te zien of er geen schade is.
- Controleer de brandstofslang om te controleren of er geen lekken zijn. Als de brandstofslang beschadigd is, laat deze dan door een servicemonteur vervangen.

De toerenregeling en de gashendel afstellen

De toerenregeling regelt de aandrijfsnelheid. De gashendel regelt het motortoerental.



OPGELET: Stel de toerenregeling niet af wanneer de motor draait.

1. Om de aandrijfsnelheid aan te passen, draait u de stelschroef (A) om de lengte van de kabelmantel aan te passen. Maak de kabelmantel korter om de aandrijfsnelheid te verhogen.
2. Als de chokestand of stopstand niet kan worden ingeschakeld, stelt u het motortoerental af. Draai de stelschroef (B). (Fig. 59)

Vervoer, opslag en verwerking

Transport en opslag

- Controleer voor opslag en vervoer van het product en de brandstof of er geen lekken of dampen zijn. Vonken of open vuur, bijvoorbeeld van elektrische apparaten of ketels, kunnen tot brand leiden.
- Gebruik altijd goedgekeurde containers voor opslag en transport van brandstof.
- Leeg de brandstoftank voordat u het product voor langere tijd opslaat. De brandstof via een geschikte verwijderingslocatie afvoeren
- Zet het product tijdens het vervoer veilig vast om schade en ongevallen te voorkomen.
- Bewaar het product in een afgesloten ruimte om toegang door kinderen of onbevoegde personen te verhinderen.

- Bewaar het product in een droge en vorstvrije ruimte.

Afvoeren

- Neem de plaatselijk geldende wet- en regelgeving voor recycling in acht.
- Voer alle chemicaliën, zoals olie of brandstof, af via een servicecentrum of een geschikte verwijderingslocatie.
- Wanneer het product niet langer in gebruik is, stuur het dan naar een Husqvarna dealer of voer het af via een recyclingslocatie.

Technische gegevens

	LC 551SP	LC 551VBP	LC 551VQ
Motor			
Merk	Kawasaki	Kawasaki	Husqvarna
Model	FJ180V	FJ180V	HS 166AP
Motortype	Enkelvoudige cilinder, 4-takt, geforceerde luchtkoeling, OHV	Enkelvoudige cilinder, 4-takt, geforceerde luchtkoeling, OHV	Enkelvoudige cilinder, 4-takt, geforceerde luchtkoeling, OHV
Cilinderinhoud, cm ³	179	179	166
Toerental, tpm	2800	2800	2800
Nominaal motorvermogen, kW ⁸¹	2,9	2,9	2,7

⁸¹ Het aangegeven nominale vermogen van de motor heeft betrekking op het gemiddelde nettovermogen (bij het opgegeven toerental) van een typische productiemotor voor het betreffende motormodel, gemeten volgens de SAE-norm J1349/ISO1585. In massa geproduceerde motoren kunnen een afwijkende waarde geven. Het werkelijk geleverde vermogen van de geïnstalleerde motor in het product hangt af van de bedrijfssnelheid, de omgevingscondities en andere waarden.

	LC 551SP	LC 551VBP	LC 551VQ
Ontstekingsstelsel			
Bougie	NGK BPR5ES	NGK BPR5ES	Husqvarna HQT-7
Elektrodenafstand, mm	0,6–0,8	0,6–0,8	0,7–0,8
Brandstof-/smeersysteem			
Type motorsmeermiddel	Druk met oliefilter	Druk met oliefilter	Spatten
Inhoud brandstoftank, l	1,9	1,9	1,5
Inhoud olietank, liter	0,7	0,7	0,5
Motorolie ⁸²	Husqvarna SAE 30	Husqvarna SAE 30	Husqvarna SAE 30
Gewicht			
Met lege tanks, kg	48,5	52,5	51,0
Geluidsemissies ⁸³			
Geluidsvermogeniveau, gemeten dB(A)	97	96	97
Geluidsvermogensniveau, gegarandeerd L _{WA} dB (A)	98	98	98
Geluidsniveau ⁸⁴			
Geluidsdruk niveau bij het oor van de gebruiker, dB (A)	87	84	86
Trillingsniveau ⁸⁵			
Hendel, m/s ²	4,5	4,5	3,2
Snijuitrusting			
Maaihogte, mm	26–74	26–74	26–74
Maaibreedte, mm	510	510	510
Mes	Collect	Collect	Collect
Artikelnummer	5875908-10	5821494-10	5875908-10
Capaciteit grasopvangbak, l	65	65	65
Aandrijving			
Snelheid, km/u	4,1	2,8–5	2,8–5

⁸² Als SAE-30 olie wordt gebruikt bij een temperatuur lager dan +5 °C bestaat het risico dat de motor niet voldoende wordt gesmeerd. Dit kan leiden tot schade aan de motor. Raadpleeg *De motorolie verversen op pagina 234* voor de juiste olie voor lage temperaturen.

⁸³ Geluidsemissie naar de omgeving gemeten als geluidsvermogen (L_{WA}) volgens EG-richtlijn 2000/14/EG.

⁸⁴ Geluidsdruk niveau volgens ISO 5395. De gerapporteerde gegevens voor het geluidsdruk niveau vertonen een typische statistische spreiding (standaardafwijking) van 1,2 dB (A).

⁸⁵ Trillingsniveau volgens ISO 5395. De gerapporteerde gegevens voor een trillingsniveau vertonen een typische statistische spreiding (standaardafwijking) van 0,2 m/s².

Verklaring van overeenstemming

EU-verklaring van overeenstemming

Wij, **Husqvarna AB**, SE-561 82 Huskvarna, Zweden, tel: +46-36-146500, verklaren onder onze alleenverantwoordelijkheid dat het product:

Beschrijving	Gazonmaaier
Merk	Husqvarna
Type / model	LC 551SP, LC 551VBP, LC 551VQ
Identificatie	Serienummers vanaf 2022 en verder

volledig voldoet aan de volgende EU-richtlijnen en -regelgeving:

Verordening	Beschrijving
2006/42/EG	"betreffende machines"
2014/30/EU	"betreffende elektromagnetische compatibiliteit"
2000/14/EG	"betreffende de geluidsemissies in het milieu"
2011/65/EU	"inzake beperking van het gebruik van bepaalde gevaarlijke stoffen in elektrische en elektronische apparatuur"

en dat de volgende normen en/of technische specificaties zijn toegepast: EN ISO 5395-1:2013/A1:2018, EN ISO 5395-2:2013/A1:2016/A2:2017, EN ISO 14982:2009, EN IEC 63000:2018

Aangemelde instantie: 0404, RISE SMP Svensk Maskinprovning AB, Box 4053, SE-904 03 Umeå, Sweden is gecertificeerd conform Richtlijn 2000/14/EG van de Raad, beoordelingsprocedure voor conformiteit: Bijlage VI.

Voor informatie over geluidsemissies, zie *Technische gegevens op pagina 235*.

Huskvarna, 2022-09-29



Claes Losdal, Development Manager/Garden Products, Huskvarna AB

Verantwoordelijk voor technische documentatie



INNHold

Innledning.....	238	Vedlikehold.....	244
Sikkerhet.....	239	Transport, oppbevaring og avhending.....	247
Montering.....	242	Tekniske data.....	247
Drift.....	243	Samsvarserklæring.....	250

Innledning

Produktbeskrivelse

Produktet er en roterende skyveggressklipper. Gresset samles i oppsamleren. Ta av oppsamleren for å få bakutkast for gress. Fest et bioklippsett (tilbehør) for å klippe gresset til gjødsel.

Produktoversikt

(Fig. 1)

1. Motorbremseshåndtak
2. Håndtak/styrestang
3. Turtallsregulering
4. Sikkerhetsbøyle
5. Startsnorhåndtak
6. Oppsamler
7. Høydejustering av håndtak
8. Klippehøyderegulering

Produktoversikt

(Fig. 2)

1. Håndtak/styrestang
2. Knivbremskontroll (LC 551VBP)
3. Turtallsregulering / gassregulator (LC 551VBP)
4. Sikkerhetsbøyle (LC 551VBP)
5. Startspærre (LC 551VBP)
6. Startsnorhåndtak
7. Oppsamler
8. Høydejustering av håndtak
9. Klippehøyderegulering
10. Peilepinne/oljetank
11. Klippedeksel
12. Lyddemper
13. Tennplugg
14. Luftfilter
15. Drivstofftank
16. Bakdeksel
17. Motorbremseshåndtak (LC 551SP)
18. Gassregulator (LC 551SP)
19. Sikkerhetsbøyle (LC 551SP)
20. Bruksanvisning

Bruksområder

Bruk produktet til å klippe gress. Ikke bruk produktet til andre oppgaver.

9. Peilepinne/oljetank
10. Klippedeksel
11. Lyddemper
12. Tennplugg
13. Luftfilter
14. Drivstofftank
15. Bakdeksel
16. Bruksanvisning

Symboler på produktet

- (Fig. 3) Uforsiktig eller feilaktig bruk kan resultere i skader eller dødsfall for brukeren eller tilskuere.
- (Fig. 4) Les nøye gjennom bruksanvisningen, og sørg for at du har forstått instruksjonene før bruk.
- (Fig. 5) Hold personer og dyr på trygg avstand fra arbeidsområdet.
- (Fig. 6) Stopp motoren og fjern tenningskabelen før det utføres reparasjoner eller vedlikehold.
- (Fig. 7) Olje
- (Fig. 8) Raskt
- (Fig. 9) Langsamt
- (Fig. 10) Stoppe motoren
- (Fig. 11) Choke

- (Fig. 12) Bladclutch
- (Fig. 13) Se opp for gjenstander som slynges ut og rikosjetterer.
- (Fig. 14) Hold hender og føtter borte fra den roterende kniven.
- (Fig. 15) Hold hender og føtter borte fra de roterende delene.
- (Fig. 16) Dette produktet er i overensstemmelse med gjeldende EU-direktiver.
- (Fig. 17) Dette produktet samsvarer med gjeldende britiske direktiver.
- (Fig. 18) Støyutslipp til omgivelsene som i EU-direktiver og forskrifter, britiske direktiver og forskrifter og New South Wales-forskriften «Protection of the Environment Operations (Noise Control) Regulation 2017». Garantert lydeffektnivå for produktet er angitt i *Tekniske data på side 247* og på etiketten
- (Fig. 19) Avgassene fra motoren inneholder karbonmonoksid, som er en luktfri, giftig og svært farlig gass. Ikke bruk produktet innendørs eller i lukkede rom.
- (Fig. 20) Ikke bruk produktet innendørs eller i lukkede rom.
- (Fig. 21) Eksplosjonsfare.
- (Fig. 22) Varm overflate

- (Fig. 23) Motoren leveres uten olje.
- (Fig. 24) Fyll på olje før du bruker produktet.
- (Fig. 25) Bruk ikke E85-drivstoff.
- (Fig. 26) Oppbevar produktet unna åpen ild.
- (Fig. 27) Kode som kan skannes.

Merk: Andre symboler/merker på produktet refererer til markedsstpesifikke juridiske krav.

Euro V-utslipp



ADVARSEL: Tukling med motoren opphever EU-type-godkjenningen til dette produktet.

Produktansvar

Som nevnt i lovverket om produktansvar er vi ikke ansvarlig for skader som produktet vårt forårsaker, i følgende tilfeller:

- Produktet er reparert på feil måte.
- Produktet er reparert med deler som ikke kommer fra produsenten eller som ikke er godkjent av produsenten.
- Produktet har et tilbehør som ikke kommer fra produsenten eller som ikke er godkjent av produsenten.
- Produktet er ikke reparert på et godkjent servicesenter eller av en godkjent aktør.

Sikkerhet

Sikkerhetsdefinisjoner

Advarsler, oppfordringer og merknader brukes for å understreke spesielt viktige deler av bruksanvisningen.



ADVARSEL: Brukes hvis det er fare for personskade eller død for brukeren eller andre personer om instruksjonene i håndboken ikke følges.



OBS: Brukes hvis det er fare for skade på produktet, annet materiell eller nærliggende områder om instruksjonene i håndboken ikke følges.

Merk: Brukes for å gi mer nødvendig informasjon for en spesifikk situasjon.

Generelle sikkerhetsinstruksjoner



ADVARSEL: Les de følgende advarselinstruksjonene før du bruker produktet.

- Dette produktet er farlig hvis det brukes feil, eller hvis du ikke er forsiktig. Personskade eller død kan forekomme hvis du ikke følger sikkerhetsinstruksjonene.
- Dette produktet danner et elektromagnetisk felt når det er i bruk. Dette feltet kan under visse forhold forstyrre aktive eller passive medisinske implantater.

For å redusere faren for hendelser som kan føre til alvorlig eller livstruende skade, anbefaler vi at personer med medisinske implantater rådfører seg med lege og produsenten av det medisinske implantatet før dette produktet tas i bruk.

- Vær alltid forsiktig og bruk sunn fornuft. Hvis du ikke er sikker på hvordan du skal bruke produktet i en bestemt situasjon, må du stoppe og snakke med Husqvarna-forhandleren før du fortsetter.
- Husk at brukeren er ansvarlig for ulykker som involverer andre personer eller deres eiendom.
- Hold produktet rent. Sørg for at du kan lese skilt og merker.
- Ikke la en person bruke produktet med mindre du forsikrer deg om at de har lest og forstått innholdet i bruksanvisningen.
- Ikke la barn bruke produktet.
- Hold barn borte fra arbeidsområdet. En ansvarlig voksen må alltid være til stede.
- Ikke la en person bruke produktet uten kunnskap om instruksjonene.
- Overvåk alltid personer med redusert fysisk eller mental kapasitet når de bruker produktet. En ansvarlig voksen må alltid være til stede.
- Ikke bruk produktet dersom du er trett eller syk eller under påvirkning av alkohol, andre rusmidler eller medisiner. Disse tingene har en negativ effekt på synet, vurderingsevnen og dømmekraften din.
- Ikke bruk produktet hvis det er defekt.
- Ikke modifierer dette produktet, og ikke bruk det dersom det er mulig at andre har modificert det.
- Ikke endre justeringen for turtallsreguleringen.

Sikkerhet i arbeidsområdet



ADVARSEL: Les de følgende advarslene før du bruker produktet.

- Fjern gjenstander som greiner, kvister og steiner fra området før du bruker produktet.
- Gjenstander som treffer skjæreutstyret, kan slynges ut og forårsake skade på personer og gjenstander. Hold tilskuere og dyr på trygg avstand fra produktet.
- Bruk aldri produktet i dårlig vær, for eksempel i tåke, regn, sterk vind, sterk kulde, eller ved fare for lyn. Det er slitsomt å bruke produktet i dårlig vær eller på fuktige eller våte steder. Dårlig vær kan forårsake farlige forhold, for eksempel glatt underlag.
- Hold utkikk etter personer, objekter og situasjoner som kan forhindre sikker bruk av produktet.
- Se etter hindringer, for eksempel røtter, steiner, kvister, fordypninger og grøfter. Høyt gress kan skjule hindringer.
- Det kan være farlig å klippe gress i skråninger. Ikke bruk produktet i skråninger som heller mer enn 15 grader.
- Bruk produktet på tvers av skråninger. Ikke gå opp og ned.

- Vær forsiktig når du nærmer deg skjulte hjørner eller gjenstander som blokkerer sikten.

Arbeidssikkerhet



ADVARSEL: Les de følgende advarslene før du bruker produktet.

- Bruk dette produktet bare til å klippe gressplener. Det er ikke tillatt å bruke det til andre formål.
- Bruk personlig verneutstyr. Se *Personlig verneutstyr på side 241*.
- Sørg for at du vet hvordan du stopper motoren raskt i en nødsituasjon.
- Start aldri motoren i et lukket rom eller i nærheten av brennbar materiale. Motorens avgasser er varme og kan inneholde gnister som kan forårsake brann.
- Ikke bruk produktet med mindre kniven og alle deksler er riktig montert. En kniv som er feilmontert, kan løsne og forårsake personskade.
- Pass på at kniven ikke kommer borti gjenstander som steiner og røtter. Dette kan gjøre skade på kniven og bøye motorakselen. En bøyd aksel kan forårsake mye vibrasjon og utgjør en svært høy fare for at kniven blir løst.
- Hvis kniven treffer en gjenstand eller det oppstår kraftige vibrasjoner, må produktet stanses øyeblikkelig. Koble tenningskabelen fra tennpluggen. Kontroller produktet for skader. Reparer skader, eller la et autorisert serviceverksted utføre reparasjon.
- Du må aldri feste motorbremsehåndtaket permanent til håndtaket når motoren er i gang.
- Plasser produktet på et stabilt, flatt underlag, og start det. Pass på at kniven ikke berører bakken eller andre gjenstander.
- Hold deg alltid bak produktet når du bruker det.
- La alle hjulene være på bakken, og hold begge hender på håndtaket når du bruker produktet. Hold hender og føtter borte fra de roterende knivene.
- Unngå å vippe produktet opp mens motoren er i gang.
- Vær forsiktig når du trekker produktet bakover.
- Du må aldri løfte produktet når motoren er i gang. Hvis du må løfte produktet, må du først stoppe motoren og koble tenningskabelen fra tennpluggen.
- Ikke gå bakover når du bruker produktet.
- Stopp motoren når du går over områder uten gress, for eksempel gangveier av grus, stein og asfalt.
- Ikke løp med produktet når motoren er på. Du må alltid gå mens du bruker produktet.
- Stopp motoren før du endrer klippehøyde. Utfør aldri justeringer mens motoren er i gang.
- La aldri produktet være ute av syne mens motoren er i gang. Stopp motoren, og forsikre deg om at skjæreutstyret ikke roterer.

Sikkerhetsinstruksjoner for drift

Personlig verneutstyr



ADVARSEL: Les de følgende advarelsene før du bruker produktet.

- Verneutstyr kan aldri fullstendig forhindre skade, men det reduserer skadeomfanget hvis ulykken inntreffer. Spør forhandleren din om hjelp til å velge riktig utstyr.
- Bruk hørselsvern hvis støynivået er høyere enn 85 dB.
- Bruk kraftige, sklisikre støvler eller sko. Ikke bruk åpne sko eller gå barbeint.
- Bruk tykke langbukser.
- Bruk vernehansker når det er nødvendig, for eksempel når du fester, undersøker eller rengjør skjæreutstyret.

Sikkerhetsutstyr på produktet



ADVARSEL: Les de følgende advarelsinstruksjonene før du bruker produktet.

- Ikke bruk et produkt med sikkerhetsutstyr som er skadet eller ikke fungerer som det skal.
- Utfør regelmessig kontroll av sikkerhetsutstyret. Hvis sikkerhetsutstyret er skadet eller ikke fungerer som det skal, må du kontakte Husqvarna-serviceverkstedet.
- Ikke foreta endringer på sikkerhetsutstyr.

Slik kontrollerer du klippedekselet

Klippedekselet gir mindre vibrasjoner og minsker risikoen for skader forårsaket av kniven.

- Undersøk klippedekselet for å sikre at det ikke er noen skader, for eksempel sprekker.

Slik kontrollerer du motorbremsehåndtaket (LC 551SP, LC 551VQ)

Motorbremsehåndtaket stopper motoren. Når du slipper motorbremsehåndtaket, stopper motoren.

- Start motoren, og slipp deretter motorbremsehåndtaket. Hvis motoren ikke stopper innen tre sekunder, må du la et godkjent Husqvarna-serviceverksted justere motorbremsen. (Fig. 28)

Slik kontrollerer du knivbremskontrollen og startspærren ((LC 551VBP))

Knivbremskontrollen stopper bare kniven og ikke motoren. Når du slipper knivbremskontrollen, stopper kniven.

1. Start motoren.

2. Skyv knivbremskontrollen i retning av håndtaket. Startspærren stopper bevegelsen.
3. Skyv startspærren ut.
4. Skyv knivbremskontrollen i retning av håndtaket. Kniven begynner å rotere.
5. Slipp knivbremskontrollen. Hvis kniven ikke stopper innen tre sekunder, må du la et godkjent Husqvarna-serviceverksted justere knivbremsen. (Fig. 29)
6. Kontroller at startspærren går tilbake til sin opprinnelige posisjon.

Lyddemper

Lyddemperen begrenser støynivået og sender avgassene bort fra brukeren.

Bruk ikke produktet hvis lyddemperen mangler eller er defekt. En defekt lyddemper øker støynivået og faren for brann.



ADVARSEL: Lyddemperen blir svært varm under og etter bruk, og når motoren går på tomgang. Vær forsiktig i nærheten av brannfarlige materialer og/eller avgasser for å unngå brann.

Slik kontrollerer du lyddemperen

- Kontroller lyddemperen regelmessig for å sikre at den er riktig montert og ikke skadet.

Drivstoffsikkerhet



ADVARSEL: Les de følgende advarelsene før du bruker produktet.

- Ikke start produktet hvis det er drivstoff eller motorolje på produktet. Fjern uønsket drivstoff/olje, og la produktet tørke.
- Skift klær umiddelbart hvis du søler drivstoff på klærne.
- Ikke få drivstoff på kroppen, det kan føre til personskade. Bruk såpe og vann for å fjerne drivstoff hvis du får drivstoff på kroppen.
- Ikke start produktet hvis motoren lekker. Kontroller motoren for lekkasjer med jevne mellomrom.
- Vær forsiktig med drivstoff. Drivstoff er brannfarlig, og avgassene er eksplosive og kan forårsake personskade eller død.
- Ikke pust inn bensindamp, det kan føre til personskade. Pass på at det er tilstrekkelig luftstrøm.
- Du må ikke røyke i nærheten av drivstoff eller motoren.
- Ikke sett varme gjenstander i nærheten av drivstoff eller motoren.
- Ikke fyll på drivstoff når motoren er på.

- Kontroller at motoren er avkjølt før du fyller på drivstoff.
- Åpne tanklokket sakte og slipp ut trykket forsiktig før du fyller.
- Ikke fyll drivstoff på motoren innendørs. En utilstrekkelig luftstrøm kan føre til personskade eller dødsfall på grunn av kveling eller karbonmonoksidforgiftning.
- Trekk til drivstofflokket helt. Hvis drivstofflokket ikke er strammet, kan det utgjøre en risiko for brann.
- Flytt produktet minst 3 m (10 fot) fra stedet der du fylte tanken, før du starter det.
- Fyll ikke drivstofftanken helt opp. Varme fører til at drivstoffet utvider seg. Lad det være litt plass øverst i drivstofftanken.
- Eksosen fra motoren inneholder karbonmonoksid, en luftfri, giftig og svært farlig gass. Ikke start motoren innendørs eller i lukkede rom.
- Før du utfører vedlikehold på produktet, må du stoppe motoren og fjerne tenningskabelen fra tennpluggen.
- Bruk vernehansker når du utfører vedlikehold på skjærestyret. Kniven er svært skarp, og det er lett å kutte seg.
- Tilbehør og endringer på produktet som ikke er godkjent av produsenten, kan føre til alvorlig personskade eller død. Ikke foreta endringer av produktet. Bruk bare tilbehør som er godkjent av produsenten.
- Hvis vedlikeholdet ikke utføres riktig og regelmessig, øker faren for personskade og skade på produktet.
- Bare utfør vedlikehold som beskrevet i denne brukerveiledningen. Alt annet vedlikehold må utføres av et godkjent Husqvarna-serviceverksted.
- La et godkjent Husqvarna-serviceverksted utføre service på produktet regelmessig.
- Skift ut alle skadde, slitte eller ødelagte deler.

Sikkerhetsinstruksjoner for vedlikehold



ADVARSEL: Les de følgende advarslene før du bruker produktet.

Montering

Innledning



ADVARSEL: Før du monterer produktet, må du lese og forstå kapittelet om sikkerhet.



ADVARSEL: Fjern tennpluggkabelen fra tennpluggen før du monterer produktet.

Slik monterer du håndtaket

1. Løsne de nedre knottene på venstre og høyre side av produktet. Kontroller at plastskiven er på plass i fordypningen i håndtaksbraketten. (Fig. 30)
2. Monter håndtaket mens det er foldet forover som vist i illustrasjonen. (Fig. 31)
 - a) Kontroller at plastskiven er mellom håndtaket og håndtaksbraketten.
 - b) Fest håndtaket til håndtaksbraketten.
3. Løft håndtaket oppover. (Fig. 32)
4. Trekk til knottene helt. For å få informasjon om justering av håndtakshøyden, kan du se *Slik justerer du høyden på håndtaket på side 242*.
5. Sett kablene i kabelbrakettene. Sørg for at kablene ikke er vridd. Fest kabelbrakettene til håndtaket. (Fig. 33)
6. Bruk en kabelstropp til å feste kablene til håndtaksbraketten. (Fig. 34)

Slik justerer du høyden på håndtaket

1. Løsne de nedre knottene.
2. Flytt knottene til den nedre enden av sporene på venstre og høyre side av produktet. (Fig. 35)
3. Angi høyden på håndtaket til én av de to tilgjengelige posisjonene.
4. Flytt knottene oppover i retning av håndtaket til de stopper og du hører et klikk. (Fig. 36)
5. Trekk til knottene helt.

Slik setter du produktet i transportstilling

1. Tøm oppsamleren.
2. Løsne de nedre knottene.
3. Flytt knottene til den nedre enden av sporene på venstre og høyre side av produktet. (Fig. 35)
4. Vipp håndtaket forover. (Fig. 37)

Slik setter du produktet i driftstilling

1. Løft håndtaket opp. (Fig. 32)
2. Flytt knottene oppover i retning av håndtaket til de stopper og du hører et klikk. (Fig. 36)
3. Trekk til knottene helt.

Slik monterer du oppsamleren

1. Fest oppsamlerammen til gressposen med den faste delen av posen på undersiden. Hold håndtaket på rammen på toppen av gressposen. (Fig. 38)

2. Fest nedre del av oppsamlerammen til bunnen av gressposen. (Fig. 39)
 - a) Skyv oppsamlerammen inn i sporet. Start på høyre side som vist i illustrasjonen, og skyv gradvis mot venstre.
3. Hvis oppsamlerammen ikke festes enkelt, kan du slå på oppsamlerammen forsiktig med en gummiklubbe. Slå mellom forsterkningene på oppsamleren. (Fig. 40)
4. Fest gressposen til oppsamlerammen med klemmene. (Fig. 41)
5. Løft det bakre dekselet.
6. Fest oppsamleren til den øverste kanten av chassiset.
7. Sett den nedre delen av oppsamleren inn i utkasterkanalen. (Fig. 42)
2. Sett finfordelingspluggen inn i utkasterkanalen. (Fig. 43)
3. Skift ut kniven med finfordelingskniven som følger med finfordelingssettet. Se *Slik skifter du ut skjærebladet på side 245*.

Slik klipper du gresset uten oppsamleren eller finfordelingspluggen festet

- Løft opp det bakre dekselet, og ta av gressoppamleren.
- Hvis en finfordelingsplugg og en finfordelingskniv er festet, tar du dem av.
- Lukk bakdekselet før du bruker produktet.

Når du bruker produktet, tømmer det klippte gresset under bakdekselet.

Slik monterer du finfordelingspluggen (tilbehør)

1. Løft opp det bakre dekselet, og ta av oppsamleren.

Drift

Innledning



ADVARSEL: Før du bruker produktet, må du lese og forstå kapittelet om sikkerhet.

Husqvarna Connect

Husqvarna Connect er en kostnadsfri app for mobilenheten din. Husqvarna Connect-appen gir utvidede funksjoner for Husqvarna-produktet ditt:

- utvidet produktinformasjon
- informasjon om og hjelp med produktdele og service

Slik begynner du å bruke Husqvarna Connect

1. Last ned Husqvarna Connect-appen på mobilenheten din.
2. Utfør registrering i Husqvarna Connect-appen.
3. Følg instruksjonene i Husqvarna Connect-appen for å koble til og registrere produktet.

Før du bruker produktet

1. Les nøye gjennom bruksanvisningen, og sørg for at du har forstått instruksjonene.
2. Undersøk skjærestyret for å sikre at det er riktig festet og justert. Se *Slik kontrollerer du skjærestyret på side 245*.
3. Fyll drivstofftanken. Se *Slik fyller du drivstoff på side 243*.

4. Fyll oljetanken, og kontroller oljenivået. Se *Slik kontrollerer du oljenivået på side 246*.

Slik fyller du drivstoff

Bruk miljøbensin/alkylatbensin, hvis det er tilgjengelig. Hvis miljøbensin/alkylatbensin ikke er tilgjengelig, bruk blyfri bensin av god kvalitet eller blybensin med oktantal 90 eller høyere.



OBS: Ikke bruk bensin med et oktantal som er mindre enn 90 RON (87 AKI). Dette kan skade produktet.

1. Åpne drivstofflokket sakte for å slippe ut trykket.
2. Fyll langsomt med en bensinkanne. Hvis du søler drivstoff, kan du tørke det opp med en klut og la det som måtte være igjen, lufttørke. (Fig. 44)
3. Tørk rent rundt drivstofflokket.
4. Trekk til drivstofflokket helt. Hvis drivstofflokket ikke er strammet, kan det utgjøre en risiko for brann.
5. Flytt produktet minst 3 m fra stedet du fylte tanken før du starter det.

Slik regulerer du klippehøyden

Klippehøyden kan justeres i seks trinn.

1. Skyv klippehøyderegulatoren i retning av hjulet og deretter bakover for å heve klippehøyden.
2. Skyv klippehøyderegulatoren i retning av hjulet og deretter forover for å senke klippehøyden. (Fig. 45)



OBS: Ikke sett klippehøyden for lavt. Knivene kan treffe bakken hvis overflaten av plenen ikke er vannrett.

Slik starter du produktet (LC 551VQ)

1. Sørg for at tenningskabelen er koblet til tennpluggen.
2. Stå bak produktet.
3. Hold motorbremselhåndtaket mot styret. (Fig. 46)
4. Hold i startsnorhåndtaket med høyrehånden.
5. Dra startsnoren langsomt ut til du kjenner litt motstand.
6. Trekk kraftig for å starte motoren.

Slik starter du produktet (LC 551SP, LC 551VBP)

1. Sørg for at tenningskabelen er koblet til tennpluggen.
2. Stå bak produktet.
3. Juster gassregulatoren.
 - a) Hvis motoren er kald, setter du gassregulatoren i choke-stillingen. (Fig. 47)
 - b) Hvis motoren er varm, setter du ikke gassregulatoren i choke-stillingen.
4. På modell LC 551SP holder du motorbremselhåndtaket inntil håndtaket. (Fig. 46)
5. Hold i startsnorhåndtaket med høyrehånden.
6. Dra startsnoren langsomt ut til du kjenner litt motstand.
7. Trekk kraftig for å starte motoren.
8. Sett gassregulatoren på full gass.
9. På modell LC 551VBP:
 - a) Løsne startsperran.
 - b) Skyv knivbremskontrollen i retning av håndtaket for å starte knivene.

Slik bruker du hjuldriften

- Trekk sikkerhetsbøylen i retning av håndtaket. (Fig. 48)

- For modell LC 551VQ og modell LC 551VBP: Juster kjørehastigheten med turtallsregulatoren på venstre side av håndtaket. Skyv turtallsregulatoren forover for å øke hastigheten og bakover for å redusere hastigheten. (Fig. 49)
- Før du trekker produktet bakover, må du koble ut driften og skyve produktet forover med ca. 10 cm.
- Løsne sikkerhetsbøylen for å frakoble driften, for eksempel når du går nær en hindring.

Slik stopper du produktet (LC 551SP, LC 551VQ)

- Hvis du vil stoppe kun driften, slipper du sikkerhetsbøylen.
- Hvis du vil stoppe motoren, slipper du motorbremselhåndtaket.

Slik stopper du produktet (LC 551VBP)

- Hvis du vil stoppe kun driften, slipper du sikkerhetsbøylen.
- Du stopper motoren ved å flytte gassregulatoren til stopp-posisjonen.

Slik får du et godt resultat

- Bruk alltid en godt slipt kniv. En sløv kniv gir ujevnt resultat, og gressets klippeoverflate blir gul. En skarp kniv bruker også mindre energi enn en sløv kniv.
- Ikke klipp mer enn 1/3 av lengden på gresset. Klipp først med klippehøyden stilt høyt. Undersøk resultatet, og senk klippehøyden til det aktuelle nivået. Hvis gresset er veldig langt, kjører du sakte og klipper to ganger om nødvendig.
- Klipp i forskjellige retninger hver gang, for å unngå striper i plenen.
- Hold klippedekselet rent. Oppsamling av gress og smuss på innsiden av klippedekselet kan gi et dårligere klipperesultat. Se *Slik rengjør du den indre overflaten av klippedekselet på side 245.*

Vedlikehold

Innledning



ADVARSEL: Før du utfører vedlikeholdsarbeid, må du lese og forstå kapittelet om sikkerhet.

For alt vedlikehold og reparasjonsarbeid på produktet er det nødvendig med spesiell opplæring. Vi garanterer fagmessig reparasjon og service. Hvis forhandleren ikke er et serviceverksted, må du snakke med dem for å få informasjon om nærmeste serviceverksted.

Hvis du vil ha mer detaljert informasjon, kan du se www.husqvarna.com.

Vedlikeholdsskjema



OBS: Sørg for at luftfilteret vender opp og ikke mot bakken når du vipper produktet. Fare for motorskade.

Vedlikeholdsintervallene er beregnet med utgangspunkt i daglig bruk av produktet. Intervallene kan endres hvis produktet ikke brukes daglig.

For vedlikehold merket med * kan du se instruksjonene i *Sikkerhetsutstyr på produktet på side 241.*

Vedlikehold	Daglig	Ukentlig	Månedlig
Utfør en generell inspeksjon.	X		
Kontroller oljenivået.	X		
Hvordan robotklipperen rengjøres	X		
Kontroller skjæreutstyret.	X		
Kontroller klippedekselet*.	X		
Kontroller motorbremsehåndtaket * LC 551SP, LC 551VQ	X		
Kontroller knivbremsekontrollen* LC 551VBP	X		
Kontroller lyddemperen*		X	
Kontroller tennpluggen.		X	
Skift olje (første gang etter 5 timers bruk og deretter etter hver 50. times bruk).			X
Rengjør eller skift luftfilteret.			X
Kontroller drivstoffsystemet.			X

Slik utfører du en generell inspeksjon

- Sørg for at alle mutre og skruer på produktet er trukket til ordentlig.

Slik rengjør du produktet

- Rengjør plastdelene med en tørr, ren klut.
- Ikke bruk vann til å rengjøre produktet. Vann kan komme inn i batteriet eller motoren og forårsake kortslutning eller skade på produktet.
- Produktet må ikke rengjøres med høytrykksspyler.
- Ikke spyl vann direkte på motoren.
- Bruk en børste for å fjerne løv, gress og smuss.
- Fjern clutchdekselet, og bruk en børste til å fjerne gress under clutchdekselet. (LC 551VBP)

Slik rengjør du den indre overflaten av klippedekselet

1. Tøm drivstofftanken.
2. Plasser produktet på siden med lyddemperen ned.



OBS: Hvis produktet settes med luftfilteret ned, kan motoren bli skadet.

3. Spyl innsiden av klippedekselet med vann.

Slik kontrollerer du skjæreutstyret



ADVARSEL: For å hindre utilsiktet start må du fjerne tenningskabelen fra tennpluggen.



ADVARSEL: Bruk vernehansker når du utfører vedlikehold på skjæreutstyret. Kniven er svært skarp, og det er lett å kutte seg.

1. Kontroller skjæreutstyret med henblikk på skader og sprekke dannelse. Bytt alltid ut skadet skjæreutstyr.
2. Sjekk om kniven er skadet eller sløv.

Merk: Kniven må balanseres etter at den er slipt. La et servicesenter slippe, skifte og balansere kniven. Hvis du treffer en hindring som fører til at produktet stopper, må du skifte ut den skadde kniven. La serviceverkstedet vurdere om kniven kan slipes eller om den må skiftes ut.

Slik skifter du ut skjærebladet

1. Lås skjærebladet med en trekloss. (Fig. 50)
2. Fjern boltene for skjærebladet.
3. Fjern skjærebladet.
4. Undersøk knivstøtten og knivbolten for skade.
5. Undersøk motorakselen for å forsikre deg om at den ikke er bøyd.

6. Når du fester den nye kniven, må du peke de vinklede endene av kniven i retning av klippedekselet. (Fig. 51)
7. Kontroller at kniven er på linje med midten av motorakselen.
8. Lås skjærebladet med en trekloss. (Fig. 52)
9. Fest kniven.
 - a) På modell LC 551SP, LC 551VQ fester du sprenskiven og trekker til boltene og skiven med et moment på 70 Nm.
 - b) På modell LC 551VBP trekker du til boltene med et moment på 50 Nm. (Fig. 53)
10. Trekk skjærebladet rundt for hånd, og kontroller at det roterer fritt.



ADVARSEL: Bruk solide arbeidshansker. Kniven er svært skarp, og det er lett å skjære seg.

11. Start produktet for å teste skjærebladet. Hvis bladet ikke er riktig festet, vil produktet vibrere, eller klipperesultatet vil ikke bli bra nok.

Slik kontrollerer du oljenivået



OBS: For lavt oljenivå kan forårsake alvorlige motorskader. Kontroller oljenivået før du starter produktet.

1. Sett produktet på et flatt underlag.
2. Ta av oljetankklokken med den medfølgende peilepinnen.
3. Fjern gjenværende olje fra peilepinnen.
4. Før peilepinnen helt inn i oljetanken. Trekk til oljetankklokken for å sikre at du får riktig bilde av oljenivået.
5. Ta ut peilepinnen.
6. Kontroller oljenivået på peilepinnen.
7. Hvis oljenivået er lavt, fyller du på motorolje og utfører en ny kontroll av oljenivået.

(Fig. 54)

Merk: Bruk en trakt for å unngå søl.

Slik skifter du motorolje



ADVARSEL: Motorolje er svært varm rett etter at motoren har stoppet. La motoren bli avkjølt før du tapper ut motorolje. Rengjør med såpe og vann hvis du søler motorolje på huden.

(Fig. 55)

1. Fjern tenningskabelen fra tennpluggen.

2. Ta av oljetankklokken.
3. Tapp ut motoroljen.
 - a) For modeller med oljeavtappingsplugg: Sett en beholder under oljeavtappingspluggen for å samle opp motoroljen.
 - b) For modeller uten oljeavtappingsplugg eller hvis det ikke er mulig å sette en beholder under oljeavtappingspluggen: Bruk en oljepumpe (tilbehør) til å tappe motoroljen fra oljetanken.
4. Fyll på ny motorolje av typen som anbefales i *Tekniske data på side 247*.
5. Kontroller oljenivået. Se *Slik kontrollerer du oljenivået på side 246*.

Slik fyller og skifter du motorolje

- Hvis du ønsker informasjon om hvordan du fyller og skifter motorolje, kan du se i bruksanvisningen for motoren.

Slik rengjør og skifter du luftfilteret (LC 5551SP, LC 551VBP)

- Hvis du ønsker informasjon om hvordan du rengjør og skifter luftfilteret, kan du se i bruksanvisningen for motoren.

Slik fjerner og monterer du luftfilteret (LC 551VQ)



ADVARSEL: Bruk vernehansker.

1. Trykk på klemmene på luftfilterdekslet.
2. Ta luftfilterdekslet (A) forsiktig av motoren.
3. Fjern luftfilteret (D) og skumfilteret (C). (Fig. 56)
4. Se etter skader på luftfilteret. Bytt alltid ut et skadet luftfilter.
5. Rengjør og undersøk luftfilteret. Se *Slik rengjør du luftfilteret (LC 551VQ) på side 246*.
6. Monter i motsatt rekkefølge.

Slik rengjør du luftfilteret (LC 551VQ)



OBS: Ikke la motoren kjøre uten luftfilter eller med et skittent luftfilter.



OBS: Skift luftfilteret hvis det ikke blir helt rent, eller hvis det er skadet. Et defekt luftfilter forårsaker skade på motoren.

1. Trykk på låsetappene (A), ta av luftfilterdekselet (B) og ta ut luftfilteret (C). (Fig. 57)

- Slå luftfilteret mot en hard overflate, eller blås trykkluft gjennom luftfilteret fra den rene siden av luftfilteret.



OBS: Ikke bruk en børste til å fjerne smuss ettersom dette skyver smuss inn i luftfilteret.

- Rengjør luftfilterholderen (D) og luftfilterdekselet med en fuktig klut.



OBS: Sørg for at det ikke kommer smuss inn i luftkanalen (E).

- Monter luftfilteret. Kontroller at luftfilteret er helt forseglet mot luftfilterholderen.
- Sett på luftfilterdekselet igjen med de nedre flikene først.

Kontrollere tennpluggen



OBS: Bruk alltid anbefalt type tennplugg. Feil tennpluggtype kan føre til skade på produktet.

- Undersøk tennpluggen hvis motorens effekt er for lav, ikke er enkel å starte eller ikke fungerer riktig på tomgang.
- Følg disse instruksjonene for å redusere risikoen for uønsket materiale på tennpluggenes elektroder:
 - Pass på at tomgangsturtallet er riktig justert.

- Pass på at drivstoffblandingen er riktig.
- Kontroller at luftfilteret er rent.

- Hvis tennpluggen er skitten, må du rengjøre den og samtidig kontrollere at elektrodeavstanden er riktig. Se *Tekniske data på side 247*. (Fig. 58)
- Skift tennpluggen når det er nødvendig.

Slik undersøker du drivstoffsystemet

- Undersøk drivstofflokket og pakningen til lokket for å sikre at det ikke er noen skader.
- Undersøk drivstoffslangen for å sikre at det ikke finnes lekkasjer. Hvis drivstoffslangen er ødelagt, må du la et serviceverksted skifte den ut.

Slik justerer du turtallsregulatoren og gassregulatoren

Turtallsregulatoren justerer kjørehastigheten. Gassregulatoren justerer motorens turtall.



OBS: Ikke juster turtallsregulatoren mens motoren er i gang.

- Hvis du vil justere kjørehastigheten, dreier du justeringssskruen (A) for å justere lengden på kabelstrømpen. Gjør kabelstrømpen kortere for å øke kjørehastigheten.
- Hvis choke-stillingen eller stopp-posisjonen ikke kan aktiveres, må du justere motorens turtall. Drei justeringssskruen (B). (Fig. 59)

Transport, oppbevaring og avhending

Transport og oppbevaring

- Før oppbevaring og transport av produktet og drivstoff, må du kontrollere at det ikke finnes lekkasjer eller gasser. Gnister eller åpen ild, for eksempel fra elektriske apparater eller varmekjeler, kan starte en brann.
- Bruk alltid godkjente beholdere for oppbevaring og transport av drivstoff.
- Tøm drivstofftanken før du setter produktet til oppbevaring over en lengre periode. Lever drivstoffet hos en returstasjon.
- Sørg for sikkert feste av produktet under transport for å unngå skader og ulykker.

- Oppbevar produktet på et låst sted for å hindre tilgang for barn eller personer som ikke er godkjent.
- Oppbevar produktet på et tørt og frostfritt sted.

Kassering

- Følg lokale gjenvinningsbestemmelser og gjeldende regelverk.
- Kast alle kjemikalier, for eksempel motorolje eller drivstoff, på et servicesenter eller en returstasjon.
- Når produktet ikke lenger er i bruk, kan du sende det til en Husqvarna-forhandler eller kaste det ved et returpunkt.

Tekniske data

	LC 551SP	LC 551VBP	LC 551VQ
Motor			
Merke	Kawasaki	Kawasaki	Husqvarna

	LC 551SP	LC 551VBP	LC 551VQ
Modell	FJ180V	FJ180V	HS 166AP
Motorstype	Ensyndret, 4-takts, tvungen luftkjøling, OHV	Ensyndret, 4-takts, tvungen luftkjøling, OHV	Ensyndret, 4-takts, tvungen luftkjøling, OHV
Volum, cm ³	179	179	166
Hastighet, o/min.	2800	2800	2800
Nominell motoreffekt, kW ⁸⁶	2,9	2,9	2,7
Tenningsystem			
Tennplugg	NGK BPR5ES	NGK BPR5ES	Husqvarna HQT-7
Elektrodeavstand, mm	0,6–0,8	0,6–0,8	0,7–0,8
Drivstoff-/smøresystem			
Motorsmøretpe	Trykk med oljefilter	Trykk med oljefilter	Skvalpesmøring
Drivstofftankens kapasitet, l	1,9	1,9	1,5
Oljetankens kapasitet, l	0,7	0,7	0,5
Motorolje ⁸⁷	Husqvarna SAE 30	Husqvarna SAE 30	Husqvarna SAE 30
Vekt			
Med tomme tanker, kg	48,5	52,5	51,0
Støyutslipp ⁸⁸			
Lydeffektnivå, målt dB (A)	97	96	97
Lydeffektnivå, garantert L _{WA} dB (A)	98	98	98
Lydnivåer ⁸⁹			
Lydtrykknivå ved brukerens øre, dB (A)	87	84	86
Vibrasjonsnivåer ⁹⁰			
Håndtak, m/s ²	4,5	4,5	3,2
Klippeutstyr			
Klippehøyde, mm	26–74	26–74	26–74
Klippebredde, mm	510	510	510
Blad	Oppsamler	Oppsamler	Oppsamler

⁸⁶ Motorens merkeeffekt er gjennomsnittlig nettoeffekt (ved angitt turtall) for en typisk produksjonsmotor for motormodellen, målt ifølge SAE-standard J1349/ISO1585. Masseproduserte motorer kan avvike fra denne verdien. Faktisk effekt for motoren montert på det ferdige produktet vil avhenge av driftshastighet, klimaforhold og andre verdier.

⁸⁷ Hvis SAE-30-olje brukes ved temperaturer lavere enn +5 °C, er det fare for at den ikke smører motoren tilstrekkelig. Dette kan føre til skader på motoren. Se *Slik skifter du motorolje på side 246* for riktig olje for lave temperaturer.

⁸⁸ Utslipp av støy til omgivelsene målt som lydeffekt (L_{WA}) samsvarer med EF-direktiv 2000/14/EF.

⁸⁹ Lydtrykknivå i henhold til ISO 5395. Rapporterte data for lydtrykknivå for maskinen har en typisk statistisk spredning (standardavvik) på 1,2 dB (A).

⁹⁰ Vibrasjonsnivå i henhold til ISO 5395. Rapporterte data for vibrasjonsnivå har en typisk statistisk spredning (standardavvik) på 0,2 m/s².

	LC 551SP	LC 551VBP	LC 551VQ
Artikkelnummer	5875908-10	5821494-10	5875908-10
Oppsamlerkapasitet, liter	65	65	65
Drift			
Hastighet, km/t	4,1	2,8–5	2,8–5

Samsvarserklæring

EU-samsvarserklæring

Vi, **Husqvarna AB**, SE-561 82 Huskvarna, Sverige, tlf.:
+46 36 146500, erklærer på eget ansvar at produktet:

Beskrivelse	Gressklipper
Merke	Husqvarna
Type/modell	LC 551SP, LC 551VBP, LC 551VQ
ID	Serienumre datert 2022 og senere

fullstendig overholder følgende EU-direktiver og
-forskrifter:

Regulering	Beskrivelse
2006/42/EC	«angående maskiner»
2014/30/EU	«om elektromagnetisk kompatibilitet»
2000/14/EC	«angående utslipp av støy til omgivelsene»
2011/65/EU	«om begrensning av bruk av visse farlige stoffer i elektrisk og elektronisk utstyr»

og at følgende standarder eller tekniske spesifikasjoner
er anvendt: EN ISO 5395-1:2013/A1:2018, EN ISO
5395-2:2013/A1:2016/A2:2017, EN ISO 14982:2009, EN
IEC 63000:2018

Kontrollorgan: 0404, RISE SMP Svensk Maskinprovning
AB, Box 4053, SE-904 03 Umeå, Sweden Har bekreftet
samsvar med rådsdirektivet 2000/14/EF, prosedyre for
overensstemmelsesvurdering: Vedlegg VI.

For informasjon som gjelder støyutslipp, kan du se
Tekniske data på side 247.

Huskvarna, 2022-09-29



Claes Losdal, Utviklingssjef/hageproduktansvarlig,
Husqvarna AB

Ansvarlig for teknisk dokumentasjon



SPIS TREŚCI

Wstęp.....	251	Przegląd.....	258
Bezpieczeństwo.....	252	Transport, przechowywanie i utylizacja.....	261
Montaż.....	256	Dane techniczne.....	262
Przeznaczenie.....	257	Deklaracja zgodności.....	264

Wstęp

Opis produktu

Produkt jest rotacyjną kosiarką obsługiwaną przez operatora. Trawa zbierana jest do pojemnika na trawę. Zdjąć pojemnik na trawę, aby usunąć z niego trawę przez tylny otwór wylotowy. Zamontować zestaw mulczujący (akcesorium), aby pociąć trawę na nawóz.

Przegląd produktu

(Rys. 1)

1. Dźwignia hamulca silnika
2. Uchwyt / uchwyt sterowniczy
3. Regulacja obrotów
4. Dźwignia napędu
5. Rączka linki rozrusznika
6. Pojemnik na trawę
7. Regulowana wysokość uchwytu
8. Regulator wysokości koszenia

Przegląd produktu

(Rys. 2)

1. Uchwyt / uchwyt sterowniczy
2. Dźwignia sterująca hamulcem ostrza tnącego (LC 551VBP)
3. Regulacja obrotów / dźwignia gazu (LC 551VBP)
4. Dźwignia napędu (LC 551VBP)
5. Zabezpieczenie przed niepożądanym uruchomieniem (LC 551VBP)
6. Rączka linki rozrusznika
7. Pojemnik na trawę
8. Regulowana wysokość uchwytu
9. Regulator wysokości koszenia
10. Prętowy wskaźnik poziomu oleju / zbiornik oleju
11. Osłona modułu tnącego
12. Tłumik
13. Świeca zapłonowa
14. Filtr powietrza
15. Zbiornik paliwa
16. Pokrywa tylna
17. Dźwignia hamulca silnika (LC 551SP)
18. Dźwignia gazu (LC 551SP)
19. Dźwignia napędu (LC 551SP)
20. Instrukcja obsługi

Przeznaczenie

Produkt służy fo cięcia trawy. Nie używać produktu do innych zadań.

9. Prętowy wskaźnik poziomu oleju / zbiornik oleju
10. Osłona modułu tnącego
11. Tłumik
12. Świeca zapłonowa
13. Filtr powietrza
14. Zbiornik paliwa
15. Pokrywa tylna
16. Instrukcja obsługi

Symbole znajdujące się na produkcie

- (Rys. 3) Następstwem nieuważnej lub nieprawidłowej obsługi mogą być obrażenia lub śmierć użytkownika bądź innych osób.
- (Rys. 4) Przed przystąpieniem do pracy należy dokładnie i ze zrozumieniem zapoznać się z treścią niniejszej instrukcji obsługi.
- (Rys. 5) Ludzie i zwierzęta powinny przebywać w bezpiecznej odległości od obszaru roboczego.
- (Rys. 6) Przed rozpoczęciem napraw lub konserwacji urządzenia wyłączyć silnik i zdjąć przewód zapłonowy.
- (Rys. 7) Olej
- (Rys. 8) Szybko
- (Rys. 9) Wolno
- (Rys. 10) Zatrzymać silnik

- (Rys. 11) Ssanie
- (Rys. 12) Sprzęgło tarczy
- (Rys. 13) Należy uważać na wyrzucane i rykoszetujące przedmioty.
- (Rys. 14) Ręce i stopy należy trzymać z dala od obracającego się noża.
- (Rys. 15) Ręce i stopy należy trzymać z dala od części obrotowych.
- (Rys. 16) Niniejszy produkt jest zgodny z obowiązującymi dyrektywami UE.
- (Rys. 17) Ten produkt jest zgodny z przepisami obowiązującymi w Wielkiej Brytanii.
- (Rys. 18) Etykieta emisji hałasu do środowiska zgodnie z dyrektywami oraz przepisami UE i Wielkiej Brytanii, a także przepisami Nowej Południowej Walii „Protection of the Environment Operations (Noise Control) Regulation 2017”. Gwarantowany poziom mocy akustycznej urządzenia jest określony w *Dane techniczne na stronie 262* oraz na etykiecie.
- (Rys. 19) Spaliny z silnika zawierają tlenek węgla, który jest bezwonnym, trującym i niebezpiecznym gazem. Nie uruchamiać produktu w pomieszczeniach ani zamkniętych przestrzeniach.
- (Rys. 20) Nie uruchamiać produktu w pomieszczeniach ani zamkniętych przestrzeniach.
- (Rys. 21) Ryzyko eksplozji.

- (Rys. 22) Gorąca powierzchnia
- (Rys. 23) Silnik dostarczany jest bez oleju.
- (Rys. 24) Przed użyciem dolać oleju.
- (Rys. 25) Nie należy stosować paliwa E85.
- (Rys. 26) Przechowywać produkt z dala od otwartego płomienia.
- (Rys. 27) Kod do przeskanowania

Uwaga: Inne symbole/naklejki umieszczone na produkcie odnoszą się do wymogów prawnych obowiązujących na danym rynku.

Emisje Euro V



OSTRZEŻENIE: Ingerencja w silnik powoduje unieważnienie europejskiego zatwierdzenia typu produktu.

Odpowiedzialność za produkt

Zgodnie z przepisami dotyczącymi odpowiedzialności za produkt nie ponosimy odpowiedzialności za szkody spowodowane przez nasz produkt, jeśli:

- produkt jest nieprawidłowo naprawiany.
- produkt jest naprawiany przy użyciu części nie pochodzących od producenta lub niezatwierdzonych przez producenta.
- produkt jest wyposażony w akcesoria nie pochodzące od producenta lub niezatwierdzone przez producenta.
- produkt nie jest naprawiany w autoryzowanym centrum serwisowym lub przez autoryzowaną placówkę.

Bezpieczeństwo

Definicje dotyczące bezpieczeństwa

Ostrzeżenia, uwagi i informacje są używane do zwrócenia uwagi na szczególnie ważne sekcje instrukcji obsługi.



OSTRZEŻENIE: Jest używane, gdy istnieje ryzyko poważnych obrażeń, śmierci operatora lub uszkodzenia otoczenia w wyniku nieprzestrzegania instrukcji obsługi.



UWAGA: Jest używane, gdy istnieje ryzyko uszkodzenia materiałów lub

urządzenia w wyniku nieprzestrzegania instrukcji obsługi.

Uwaga: Stosuje się, aby przekazać więcej informacji, które są przydatne w danej sytuacji.

Ogólne zasady bezpieczeństwa



OSTRZEŻENIE: Przed rozpoczęciem użytkowania produktu przeczytać następujące ostrzeżenia.

- Produkt ten może być niebezpieczny w przypadku jego nieprawidłowego użytkowania i niezachowania ostrożności. Nieprzestrzeganie instrukcji bezpieczeństwa może spowodować obrażenia ciała lub śmierć.
- Podczas pracy urządzenie wytwarza pole elektromagnetyczne. W pewnych okolicznościach pole to może zakłócać pracę aktywnych lub pasywnych implantów medycznych. Przed użyciem tego produktu osoby z wszczepionym implantem medycznym powinny skonsultować się z lekarzem i producentem implantu w celu ograniczenia ryzyka poważnych lub śmiertelnych obrażeń.
- Zawsze zachowywać ostrożność i kierować się zdrowym rozsądkiem. Jeśli nie ma pewności, w jaki sposób należy obsługiwać ten produkt w konkretnej sytuacji, przed wznowieniem pracy należy porozmawiać z dealerem Husqvarna.
- Pamiętać o tym, że operator ponosi odpowiedzialność za wypadki z udziałem innych ludzi i ich własności.
- Utrzymywać produkt czystym. Upewnić się, że można łatwo odczytać oznaczenia i naklejki.
- Nie pozwalać używać maszyny jakimkolwiek osobom, które nie zapoznały się i nie zrozumiały zawartości instrukcji obsługi.
- Nie pozwalać dzieciom używać produktu.
- Należy trzymać dzieci z dala od obszaru roboczego. Zawsze musi jej towarzyszyć odpowiedzialna osoba dorosła.
- Nie pozwalać osobom nieznającym instrukcji używać maszyny.
- Należy zawsze kontrolować osobę o ograniczonych możliwościach fizycznych lub umysłowych podczas używania produktu. Zawsze musi jej towarzyszyć odpowiedzialna osoba dorosła.
- Osoba, która jest zmęczona, chora lub pod wpływem alkoholu, narkotyków lub leków nie może obsługiwać urządzenia. Stany te mają negatywny wpływ na wzrok, uwagę, koordynację i osąd.
- Nie stosować uszkodzonego produktu.
- Nie wolno dokonywać w maszynie zmian stanowiących modyfikację jej oryginalnej wersji. Nie używać maszyny, jeżeli istnieje podejrzenie, że ktoś inny wprowadził w niej zmiany.
- Nie wolno zmieniać ustawień prędkości obrotowej silnika.

osób i uszkodzenia przedmiotów. Osoby znajdujące się w pobliżu i zwierzęta powinny zachować bezpieczną odległość od maszyny.

- Nigdy nie należy używać produktu w niesprzyjających warunkach np. we mgle, w deszczu, przy silnym wietrze, na silnym mrozie, gdy występuje ryzyko wyładowań atmosferycznych. Korzystanie z maszyny w niesprzyjających warunkach lub w wilgotnych czy mokrych lokalizacjach jest niebezpieczne. Niesprzyjające warunki pogodowe mogą stworzyć niebezpieczne warunki, takie jak śliskie powierzchnie.
- Należy uważać na osoby, przedmioty i sytuacje, które mogą uniemożliwić bezpieczną obsługę maszyny.
- Należy zwracać uwagę na przeszkody, takie jak korzenie, kamienie, gałązki, dziury i doły. Wysoka trawa może zasłaniać przeszkody.
- Koszenie trawy na pochyłościach może być niebezpieczne. Nie należy używać maszyny na pochyłościach terenu przekraczających 15°.
- Należy używać maszyny, prowadząc ją w poprzek zbocza. Nie należy jeździć w górę i w dół zbocza.
- Zachować ostrożność podczas zbliżania się do narożników lub innych obiektów, które mogą ograniczać widoczność.

Pracuj bezpiecznie



OSTRZEŻENIE: Przed rozpoczęciem użytkowania produktu przeczytać następujące ostrzeżenia.

- Używać maszyny wyłącznie do przycinania trawników. Nie jest dozwolone wykorzystanie maszyny do innych zadań.
- Stosuj środki ochrony osobistej. Patrz *Środki ochrony osobistej na stronie 254*.
- Należy zawsze wiedzieć, jak szybko wyłączyć silnik w razie awarii.
- Nigdy nie należy uruchamiać silnika w zamkniętej przestrzeni lub w pobliżu łatwopalnych materiałów. Spaliny silnikowe mają wysoką temperaturę, mogą zawierać iskry, które mogą się stać przyczyną pożaru.
- Nie należy obsługiwać maszyny, jeśli ostrze oraz wszystkie pokrywy nie zostały prawidłowo zamocowane. Nieprawidłowo zamocowane ostrze może się obluźwiać i spowodować obrażenia.
- Należy upewnić się, że ostrze nie uderza w żadne objekty, takie jak kamienie czy korzenie. Może to spowodować uszkodzenie ostrza oraz wygięcie wału silnika. Zgięta oś powoduje silne wibracje oraz bardzo wysokie zagrożenie obluźwaniem ostrza.
- Jeśli ostrze uderzy w jakikolwiek obiekt lub jeśli wystąpią wibracje, należy natychmiast wyłączyć maszynę. Odłączyć przewód zapłonowy od świecy zapłonowej. Należy sprawdzić maszynę pod kątem uszkodzeń. Należy naprawić uszkodzenia lub zlecić

Bezpieczeństwo miejsca pracy



OSTRZEŻENIE: Przed rozpoczęciem użytkowania produktu przeczytać następujące ostrzeżenia.

- Usunąć objekty, takie jak gałęzie, gałązki i kamienie z obszaru roboczego przed rozpoczęciem korzystania z maszyny.
- Objekty, które zderzają się z elementami tnącymi, mogą zostać wyrzucone i spowodować obrażenia

przeprowadzenie naprawy przez autoryzowany punkt serwisowy.

- Nigdy nie należy na stałe przymocowywać uchwytu hamulca silnikowego do uchwytu podczas pracy silnika.
- Maszynę należy ustawić na stabilnej, płaskiej powierzchni i ją uruchomić. Należy upewnić się, że ostrza nie uderzają w podłoże lub inne przedmioty.
- Podczas obsługi maszyny zawsze należy stać za nią.
- Podczas obsługi maszyny należy upewnić się, że wszystkie koła dotykają podłoża oraz trzymać na kierownicy obie dłonie. Ręce i stopy należy trzymać z dala od obracających się noży.
- Nie przechylać produktu, kiedy uruchomiony jest silnik.
- Należy zachować ostrożność podczas ciągnięcia maszyny do tyłu.
- Nigdy nie należy podnosić maszyny przy włączonym silniku. Jeśli konieczne jest podniesienie maszyny, najpierw należy wyłączyć silnik i odłączyć przewód zapłonowy od świcy zapłonowej.
- Nie należy poruszać się do tyłu podczas obsługi maszyny.
- Podczas poruszania się po obszarach bez trawy, na przykład po żwirowych, kamiennych lub asfaltowych ścieżkach, należy wyłączyć silnik.
- Nie należy biegać z maszyną przy włączonym silniku. Podczas obsługi maszyny zawsze należy poruszać się chodem.
- Przed zmianą wysokości koszenia należy wyłączyć silnik. Nigdy nie należy wykonywać regulacji przy uruchomionym silniku.
- Nigdy nie należy pozostawiać maszyny poza zasięgiem wzroku przy włączonym silniku. Należy wyłączyć silnik i upewnić się, że narzędzia tnące nie obracają się.

Instrukcja bezpieczeństwa dotyczące obsługi

Środki ochrony osobistej



OSTRZEŻENIE: Przed rozpoczęciem użytkowania produktu przeczytać następujące ostrzeżenia.

- Środki ochrony osobistej nie eliminują całkowicie ryzyka odniesienia obrażeń, natomiast ograniczają ich rozmiar w razie zaistnienia wypadku. Skorzystać z pomocy dealera przy wyborze odpowiedniego sprzętu.
- Jeśli poziom hałasu przekracza 85 dB, należy stosować ochronniki słuchu.
- Należy używać mocnego, przeciwpoślizgowego obuwia ochronnego lub obuwia roboczego. Nie należy używać otwartego obuwia lub chodzić boso.
- Stosować wytrzymałe, długie spodnie.

- W razie potrzeby, na przykład podczas mocowania, badania czy czyszczenia narzędzi tnących, stosować rękawice ochronne.

Zespoły zabezpieczające na produkcji



OSTRZEŻENIE: Przed rozpoczęciem użytkowania produktu przeczytać następujące ostrzeżenia.

- Nie używać produktu z urządzeniami zabezpieczającymi, które są uszkodzone lub nie działają prawidłowo.
- Regularnie przeprowadzać kontrole urządzeń zabezpieczających. Jeśli urządzenia zabezpieczające są uszkodzone lub nie działają prawidłowo, należy skontaktować się z warsztatem obsługi technicznej Husqvarna.
- Nie wolno dokonywać modyfikacji urządzeń zabezpieczających.

Sprawdzanie osłony modułu tnącego

Osłona modułu tnącego ogranicza drgania urządzenia i obniża ryzyko odniesienia obrażeń od ostrza.

- Zbadać osłonę modułu tnącego, aby upewnić się, że nie nosi ona znamion uszkodzenia, takich jak pęknięcia.

Sprawdzanie dźwigni hamulca silnika (LC 551SP, LC 551VQ)

Uchwyt hamulca silnika zatrzymuje silnik. Po zwolnieniu uchwytu hamulca silnika następuje wyłączenie silnika.

- Uruchomić silnik, a następnie zwolnić dźwignię hamulca silnika. Jeśli silnik nie wyłączy się w czasie 3 sekund, zatwierdzony serwis obsługi technicznej Husqvarna powinien wyregulować hamulec silnika. (Rys. 28)

Sprawdzanie dźwigni sterującej hamulcem ostrza tnącego i zabezpieczenia przed niepożądanym uruchomieniem (LC 551VBP)

Dźwignia sterująca hamulcem ostrza tnącego zatrzymuje wyłącznie ostrze, a nie silnik. Po zwolnieniu dźwigni sterującej hamulcem ostrza tnącego następuje wyłączenie ostrza.

1. Uruchomić silnik.
2. Pchnąć dźwignię sterującą hamulcem ostrza tnącego w stronę uchwytu sterowniczego. Zabezpieczenie przed niepożądanym uruchomieniem urządzenia zatrzymuje ruch.
3. Popchnąć zabezpieczenie przed niepożądanym uruchomieniem na zewnątrz.
4. Pchnąć dźwignię sterującą hamulcem ostrza tnącego w stronę uchwytu sterowniczego. Ostrze tnące zacznie się obracać.

5. Zwolnić dźwignię sterującą hamulcem ostrza tnącego. Jeśli ostrze nie wyłączy się w czasie 3 sekund, zatwierdzony serwis obsługi technicznej Husqvarna powinien wyregulować hamulec ostrza tnącego. (Rys. 29)
6. Upewnić się, że zabezpieczenie przed niepożądanym uruchomieniem powróciło do pozycji początkowej.

Tłumik

Tłumik ogranicza do minimum poziom hałasu i odprowadza spaliny poza strefę pracy operatora.

Nie używać produktu, jeśli tłumik nie jest zamontowany lub jest uszkodzony. Uszkodzony tłumik zwiększa poziom hałasu oraz ryzyko pożaru.



OSTRZEŻENIE: Tłumik nagrzewa się do wysokiej temperatury podczas użytkowania oraz gdy silnik pracuje na obrotach biegu jałowego, oraz pozostaje gorący przez pewien czas po wyłączeniu silnika. W przypadku zbliżenia się do łatwopalnych materiałów i/lub spalin należy zachować szczególną ostrożność, aby zapobiec pożarowi.

Sprawdzanie tłumika

- Przeprowadzać regularne kontrole tłumika, aby upewnić się, że jest prawidłowo zamontowany i sprawny.

Zasady bezpieczeństwa dotyczące paliwa



OSTRZEŻENIE: Przed rozpoczęciem użytkowania produktu przeczytać następujące ostrzeżenia.

- Nie uruchamiać produktu, jeśli znajduje się na nim paliwo lub olej silnikowy. Usunąć zabrudzenia paliwem/olejem i odczekać, aż produkt wyschnie.
- W przypadku rozlania paliwa na ubranie należy je natychmiast zmienić.
- Nie dopuścić do kontaktu paliwa z ciałem, ponieważ może to spowodować obrażenia. W przypadku kontaktu paliwa z ciałem należy użyć wody z mydłem w celu jego usunięcia.
- Nie uruchamiać maszyny, jeśli silnik jest nieszczelny. Regularnie sprawdzać silnik pod kątem nieszczelności.
- Zachować ostrożność przy pracy z paliwem. Paliwo jest łatwopalne, a jego opary mogą wybuchnąć, powodując obrażenia lub śmierć.
- Nie wdychać oparów paliwa, ponieważ może to być groźne dla zdrowia lub życia. Zapewnić odpowiednią wentylację.

- Nie palić tytoniu w pobliżu paliwa lub silnika.
- Nie umieszczać gorących przedmiotów w pobliżu paliwa lub silnika.
- Nie dolewać paliwa podczas pracy silnika.
- Przed tankowaniem upewnić się, że silnik jest zimny.
- Przed tankowaniem pomału odkręcić korek zbiornika paliwa i ostrożnie zwolnić ciśnienie.
- Nie dolewać paliwa do silnika w zamkniętym pomieszczeniu. Niewystarczający przepływ powietrza może doprowadzić do obrażeń lub śmierci na skutek uduszenia lub zatrucia tlenkiem węgla.
- Do końca dokręcić korek zbiornika paliwa. W przypadku braku dokręcenia korka zbiornika paliwa istnieje ryzyko powstania pożaru.
- Przed uruchomieniem należy przenieść produkt co najmniej 3 metry / 10 stóp od miejsca, w którym napelniany był zbiornik paliwa.
- Nie napelniaj zbiornika paliwa całkowicie. Ciepło powoduje zwiększenie objętości paliwa. Pozostawij wolną przestrzeń na górze zbiornika.

Instrukcje bezpieczeństwa dotyczące konserwacji



OSTRZEŻENIE: Przed rozpoczęciem użytkowania produktu przeczytać następujące ostrzeżenia.

- Spaliny z silnika zawierają tlenek węgla, który jest bezwonnym, trującym i niebezpiecznym gazem. Nie należy uruchamiać silnika wewnątrz pomieszczeń lub w zamkniętych przestrzeniach.
- Przed rozpoczęciem konserwacji produktu wyłączyć silnik i odłączyć przewód zapłonowy ze świecy zapłonowej.
- W trakcie konserwacji narzędzi tnących należy korzystać z rękawic ochronnych. Ostrze jest bardzo ostre i może łatwo doprowadzić do skaleczenia.
- Niezatwierdzone przez producenta akcesoria i modyfikacje maszyny mogą spowodować poważne obrażenia lub śmierć. Nie należy modyfikować maszyny. Należy korzystać wyłącznie z akcesoriów zatwierdzonych do użytku przez producenta.
- W przypadku nieprawidłowo lub nieregularnie przeprowadzanej konserwacji wzrasta ryzyko obrażeń oraz uszkodzenia produktu.
- Konserwację należy przeprowadzać wyłącznie w sposób określony w instrukcji użytkownika. Wszelkie prace serwisowe muszą być wykonywane przez zatwierdzony serwis Husqvarna.
- Należy dopilnować przeprowadzania regularnej konserwacji maszyny przez autoryzowany serwis Husqvarna.
- Wymienić uszkodzone, zużyte lub zniszczone części.

Montaż

Wstęp



OSTRZEŻENIE: Przed złożeniem produktu należy przeczytać ze zrozumieniem rozdział poświęcony bezpieczeństwu.



OSTRZEŻENIE: Przed rozpoczęciem montażu produktu odłączyć przewód świecy zapłonowej od świecy zapłonowej.

Montaż uchwyty

1. Poluzować dolne pokrętała po lewej i prawej stronie produktu. Upewnić się, że podkładka z tworzywa sztucznego znajduje się w zagłębieniu wspornika uchwyty. (Rys. 30)
2. Zamontować uchwyt złożony do przodu, jak pokazano na rysunku. (Rys. 31)
 - a) Upewnić się, że podkładka z tworzywa sztucznego znajduje się pomiędzy uchwytem a wspornikiem uchwyty.
 - b) Przymocować uchwyt do wspornika uchwyty.
3. Podnieść uchwyt. (Rys. 32)
4. Dokręcić do końca pokrętała. Aby wyregulować wysokość uchwyty, patrz *Regulacja wysokości uchwyty na stronie 256*.
5. Umieścić przewody w uchwytych kablowych. Upewnić się, że przewody nie są skręcone. Przymocować uchwyty kablowe do uchwyty. (Rys. 33)
6. Użyć opaski kablowej, aby przymocować przewody do wspornika uchwyty. (Rys. 34)

Regulacja wysokości uchwyty

1. Poluzować dolne pokrętała.
2. Przesunąć pokrętała do dolnych końców rowków po lewej i prawej stronie produktu. (Rys. 35)
3. Ustawić wysokość uchwyty w 1 z 2 dostępnych pozycji.
4. Przesunąć pokrętała w górę w kierunku uchwyty sterowniczego aż do zatrzaśnięcia. (Rys. 36)
5. Dokręcić do końca pokrętała.

Ustawienie kosiarki w pozycji transportowej

1. Wymontować pojemnik na trawę.
2. Poluzować dolne pokrętała.
3. Przesunąć pokrętała do dolnych końców rowków po lewej i prawej stronie produktu. (Rys. 35)

4. Złożyć rękojeść do przodu. (Rys. 37)

Ustawienie kosiarki w pozycji roboczej

1. Podnieść uchwyt sterowniczy. (Rys. 32)
2. Przesunąć pokrętała w górę w kierunku uchwyty sterowniczego aż do zatrzaśnięcia. (Rys. 36)
3. Dokręcić do końca pokrętała.

Montaż pojemnika na trawę

1. Przymocować ramę pojemnika na trawę do worka na trawę tak, aby sztywna część worka znajdowała się na dole. Upewnić się, że uchwyt ramy znajduje się na górze worka na trawę. (Rys. 38)
2. Zamocować dolną część ramy pojemnika na trawę do spodu worka na trawę. (Rys. 39)
 - a) Wepchnąć ramę pojemnika na trawę w rowek. Rozpocząć po prawej stronie, jak pokazano na rysunku, i przesuwać się stopniowo w lewo.
3. Jeśli ramy pojemnika na trawę nie da się łatwo zamocować, uderzyć ją delikatnie gumowym młotkiem. Uderzyć ramę pojemnika na trawę pomiędzy wzmocnieniami. (Rys. 40)
4. Przymocować worek do ramy pojemnika na trawę za pomocą zacisków. (Rys. 41)
5. Unieść tylną pokrywę.
6. Zamocować zbiornik na trawę do górnej krawędzi obudowy.
7. Włożyć dolną część pojemnika na trawę do kanału otworu wylotowego trawy. (Rys. 42)

Montaż wkładki mulczącej (akcesorium)

1. Unieść tylną pokrywę i wyjąć pojemnik na trawę.
2. Zamontować wkładkę rozdrabniającą w kanale otworu wylotowego. (Rys. 43)
3. Wymienić ostrze tnące na ostrze mulczujące, dostarczane w zestawie do mulczowania. Patrz *Wymiana noża na stronie 259*.

Koszenie trawy bez pojemnika na trawę i przystawki mulczącej

- Unieść tylną pokrywę i wyjąć pojemnik na trawę.
- Jeżeli zamontowana jest przystawka mulcząca lub nóż mulczujący, należy je wymontować.
- Przed przystąpieniem do używania urządzenia należy zamknąć tylną pokrywę.

W trakcie pracy urządzenia ścięta trawa jest wyrzucana pod tylną pokrywę.

Przeznaczenie

Wstęp



OSTRZEŻENIE: Przed użyciem urządzenia należy przeczytać ze zrozumieniem rozdział poświęcony bezpieczeństwu.

Husqvarna Connect

Husqvarna Connect to darmowa aplikacja na urządzenie mobilne. Husqvarna Connect/Husqvarna

- Extended product information.
- Information about, and help with, product parts and servicing.

Rozpoczęcie użytkowania Husqvarna Connect

1. Pobierz aplikację Husqvarna Connect na swoim urządzeniu mobilnym.
2. Zarejestruj się w aplikacji Husqvarna Connect.
3. Wykonaj instrukcje wyświetlane w aplikacji Husqvarna Connect, aby nawiązać połączenie i zarejestrować produkt.

Przed użyciem urządzenia

1. Należy dokładnie i ze zrozumieniem zapoznać się z treścią niniejszej instrukcji.
2. Należy sprawdzić narzędzia tnące, aby upewnić się, że są one prawidłowo zamontowane i wyregulowane. Patrz *Kontrola osprzętu tnącego na stronie 259*.
3. Napełnić zbiornik paliwa. Patrz *Uzupełnianie paliwa na stronie 257*.
4. Napełnić zbiornik oleju i wykonać kontrolę poziomu oleju. Patrz *Kontrola poziomu oleju na stronie 260*.

Uzupełnianie paliwa

Jeśli to możliwe, należy korzystać z niskoemisyjnej benzyny alkilatowej. W przypadku braku dostępności niskoemisyjnej benzyny alkilatowej należy korzystać z dobrej jakości benzyny bezołowiowej lub benzyny ołowiowej o liczbie oktanowej nie niższej niż 90.



UWAGA: Nie używać benzyny o liczbie oktanowej niższej niż 90 RON (87 AKI). Niezastosowanie się do tego zalecenia może spowodować uszkodzenie produktu.

1. Powoli otworzyć korek wlewowy w celu wyrównania ciśnienia.
2. Powoli napełniać zbiornik paliwa. W przypadku rozlania paliwa należy je usunąć przy użyciu ścierki i pozwolić na wyschnięcie pozostałego paliwa. (Rys. 44)

3. Oczyszczyć korek wlewowy i powierzchnię wokół niego.
4. Do końca dokręcić korek zbiornika paliwa. W przypadku braku dokręcenia korka zbiornika paliwa istnieje ryzyko powstania pożaru.
5. Przed uruchomieniem należy przenieść maszynę co najmniej 3 metry od miejsca, w którym napełniany był zbiornik paliwa.

Regulacja wysokości koszenia

Można ustawiać 6 różnych wysokości koszenia.

1. Popchnąć regulator wysokości koszenia w kierunku koła, a następnie do tyłu, aby zwiększyć wysokość koszenia.
2. Popchnąć regulator wysokości koszenia w kierunku koła, a następnie do przodu, aby zmniejszyć wysokość koszenia. (Rys. 45)



UWAGA: Nie należy ustawiać zbyt niskiej wysokości koszenia. Noże mogą uderzyć w ziemię, jeśli powierzchnia trawnika nie jest równa.

Uruchamianie urządzenia (LC 551VQ)

1. Należy upewnić się, że przewód zapłonowy jest połączony ze świecą zapłonową.
2. Należy pozostawać za maszyną.
3. Przytrzymać dźwignię hamulca silnika przy drążku sterującym. (Rys. 46)
4. Należy trzymać rączkę linki rozrusznika prawą dłonią.
5. Powoli pociągnąć za linkę rozrusznika do poczucia oporu.
6. Pociągnąć, używając odpowiedniej siły, aby uruchomić silnik.

Uruchamianie produktu (LC 551SP, LC 551VBP)

1. Należy upewnić się, że przewód zapłonowy jest połączony ze świecą zapłonową.
2. Należy pozostawać za maszyną.
3. Wyregulować dźwignię gazu.
 - a) Jeśli silnik jest zimny, przestawić dźwignię gazu w położenie ssania. (Rys. 47)
 - b) Jeśli silnik jest ciepły, nie przestawiać dźwigni gazu w położenie ssania.
4. W przypadku modelu LC 551SP przytrzymać dźwignię hamulca silnika przy uchwycie sterowniczym. (Rys. 46)
5. Należy trzymać rączkę linki rozrusznika prawą dłonią.

6. Powoli pociągnąć za linkę rozrusznika do poczuć oporu.
7. Pociągnąć, używając odpowiedniej siły, aby uruchomić silnik.
8. Ustawić dźwignię gazu na pełen zakres.
9. W przypadku modelu LC 551VBP:
 - a) Zwolnić zabezpieczenie przed niepożądanym uruchomieniem.
 - b) Popchnąć dźwignię sterującą hamulcem ostrza tnącego w kierunku uchwytu sterowniczego, aby włączyć ostrza.

Korzystanie z napędu kół

- Pociągnąć dźwignię napędu w stronę drążka sterującego. (Rys. 48)
- W przypadku modelu LC 551VQ i LC 551VBP: Wyregulować prędkość jazdy za pomocą dźwigni regulacji obrotów po lewej stronie uchwytu. Przesunąć dźwignię regulacji obrotów do przodu, aby zwiększyć, i do tyłu, aby zmniejszyć prędkość obrotową. (Rys. 49)
- Przed pociągnięciem maszyny do tyłu należy odłączyć napęd i popchnąć maszynę do przodu o około 10 cm.
- Zwolnić dźwignię napędu, aby odłączyć napęd na przykład w sytuacji zbliżania się do przeszkody.

Wyłączenie produktu (LC 551SP, LC 551VQ)

- Aby wyłączyć wyłącznie napęd, należy zwolnić dźwignię napędu.

- Aby zatrzymać silnik, należy zwolnić dźwignię hamulca silnika.

Wyłączanie urządzenia (LC 551VBP)

- Aby wyłączyć wyłącznie napęd, należy zwolnić dźwignię napędu.
- Aby wyłączyć silnik, ustawić dźwignię gazu w położeniu stop.

Uzyskiwanie dobrych rezultatów

- Używać zawsze dobrze naostrzonych ostrzy. Stępione ostrze daje nierównomierne rezultaty, a ścinana powierzchnia żółknie. Naostrzone ostrze zużywa również mniej energii niż ostrze stępione.
- Nie należy kosić więcej niż $\frac{1}{3}$ długości trawy. Najpierw należy kosić przy użyciu dużej wysokości koszenia. Zbadać rezultaty i obniżyć wysokość koszenia do odpowiedniego poziomu. Jeśli trawa jest bardzo długa, w razie konieczności należy przejechać powoli i ściąć dwukrotnie.
- Kosić za każdym razem w różnych kierunkach, aby uniknąć powstawania pasów na trawniku.
- Utrzymywać osłonę zespołu tnącego w czystości. Nagromadzenie trawy i zanieczyszczeń po wewnętrznej stronie osłony zespołu tnącego może zmniejszyć efekt koszenia. Patrz *Czyszczenie powierzchni wewnętrznych osłony osprzętu tnącego* na stronie 259.

Przegląd

Wstęp



OSTRZEŻENIE: Przed przeprowadzeniem konserwacji należy przeczytać i zrozumieć rozdział o bezpieczeństwie.

Do wykonywania wszelkich prac serwisowych i naprawczych konieczne jest specjalistyczne przeszkolenie. Gwarantujemy dostępność profesjonalnych napraw i usług serwisowych. Jeśli dany dealer nie jest autoryzowanym punktem serwisowym, poproś sprzedawcę o informacje na temat najbliższego autoryzowanego punktu serwisowego.

Aby uzyskać więcej szczegółowych informacji, patrz www.husqvarna.com.

Plan konserwacji



UWAGA: Upewnić się, że filtr powietrza jest uniesiony i nie dotyka podłoża po przechyleniu produktu. Ryzyko uszkodzenia silnika.

Odstępy pomiędzy konserwacjami obliczane są w oparciu o codzienne wykorzystanie produktu. Odstępy te ulegają zmianie, jeśli maszyna nie jest użytkowana codziennie.

Czynności konserwacyjne oznaczone znakiem * objaśniono w instrukcjach w części *Zespoły zabezpieczające na produkcie* na stronie 254.

Konserwacja	Codziennie	Co tydzień	Co miesiąc
Przeprowadzenie ogólnego przeglądu	X		
Kontrola poziomu oleju	X		

Konserwacja	Codziennie	Co tydzień	Co miesiąc
Czyszczenie urządzenia	X		
Kontrola osprzętu tnącego	X		
Sprawdzanie osłony cięcia*	X		
Sprawdzanie dźwigni hamulca silnika* LC 551SP, LC 551VQ	X		
Sprawdzanie dźwigni sterującej hamulcem noża* LC 551VBP	X		
Kontrola tłumika*		X	
Kontrola świecy zapłonowej		X	
Wymienić olej (pierwszy raz po 5 godzinach użytkowania, następnie co 50 godzin i co roku)			X
Wyczyścić lub wymienić filtr powietrza			X
Kontrola układu paliwowego			X

Przegląd ogólny

- Należy upewnić się, że wszystkie nakrętki i śruby maszyny są odpowiednio dokręcone.

Czyszczenie produktu

- Plastikowe części należy czyścić czystą i suchą ściereczką.
- Do czyszczenia urządzenia nie należy używać wody. Woda mogłaby dostać się do akumulatora lub silnika i wywołać zwarcie lub uszkodzenie urządzenia.
- Nie używać myjek wysokociśnieniowych do czyszczenia urządzenia.
- Nie polewać silnika bezpośrednio wodą.
- W celu usunięcia liści, trawy i brudu należy użyć szczotki.
- Wymontować osłonę sprzęgła i użyć szczotki, aby usunąć trawę znajdującą się pod osłoną sprzęgła. (LC 551VBP)

Czyszczenie powierzchni wewnętrznych osłony osprzętu tnącego.

- Opróżnić zbiornik paliwa.
- Położyć maszynę na boku przy tłumiku skierowanym ku dołowi.



UWAGA: Jeśli maszyna położona zostanie ze skierowanym do dołu filtrem powietrza, może dojść do uszkodzenia silnika.

- Należy spłukać powierzchnie wewnętrzne osłony osprzętu tnącego wodą.

Kontrola osprzętu tnącego



OSTRZEŻENIE: Aby zapobiec przypadkowemu uruchomieniu, należy odłączyć przewód zapłonowy od świecy zapłonowej.



OSTRZEŻENIE: W trakcie konserwacji narzędzi tnących należy korzystać z rękawic ochronnych. Ostrze jest bardzo ostre i może łatwo doprowadzić do skaleczenia.

- Należy skontrolować, czy osprzęt tnący nie jest uszkodzony bądź pęknięty. Zawsze wymieniać uszkodzony osprzęt tnący.
- Obejrzeć ostrze i upewnić się, że nie jest uszkodzone lub stępione.

Uwaga:

Po ostrzeniu ostrze należy wypoziomować. Ostrzenie, wymiana i poziomowanie ostrza winno zostać przeprowadzone przez centrum serwisowe. W przypadku uderzenia w przeszkodę, która zatrzymuje maszynę, należy wymienić uszkodzone ostrze. Pozwolić, aby przedstawiciel serwisowy oszacował, czy ostrze można naostrzyć czy wymienić.

Wymiana noża

- Zablokować nóż przy użyciu drewnianego bloku. (Rys. 50)
- Wymontować śrubę noża.
- Zdjąć nóż.
- Skontrolować wspornik ostrza oraz śrubę ostrza pod kątem uszkodzeń.
- Skontrolować wał silnika, aby upewnić się, że nie jest zgięty.

6. Podczas mocowania nowego noża należy skierować zakrzywione końce noża ku pokrywie zespołu tnącego. (Rys. 51)
7. Upewnić się, że ostrze jest wyrównane względem środka wału silnika.
8. Zablokować nóż przy użyciu drewnianego bloku. (Rys. 52)
9. Zamocować ostrze.
 - a) W przypadku modelu LC 551SP LC 551VQ zamocować podkładkę sprężynową i dokręcić śrubę oraz podkładkę momentem 70 Nm.
 - b) W przypadku modelu LC 551VBP dokręcić śruby momentem 50 Nm. (Rys. 53)
10. Obracać nożem za pomocą ręki i sprawdzić, czy obraca się swobodnie.



OSTRZEŻENIE: Nosić solidne rękawice ochronne. Ostrze tnące jest bardzo ostre i może łatwo doprowadzić do skaleczenia.

11. Uruchomić maszynę w celu przetestowania noża. Jeśli nóż nie został zamontowany prawidłowo, maszyna będzie wibrować lub rezultaty koszenia będą niezadowolające.

Kontrola poziomu oleju



UWAGA: Za niski poziom oleju może doprowadzić do poważnego uszkodzenia silnika. Przed uruchomieniem maszyny należy skontrolować poziom oleju.

1. Postawić maszynę na równym podłożu.
2. Odkręcić korek zbiornika oleju z zamocowanym wskaźnikiem prętowym.
3. Zetrzeć olej z prętowego wskaźnika poziomu oleju.
4. Włożyć prętowy wskaźnik całkowicie do zbiornika oleju. Dokręcić korek zbiornika oleju, aby sprawdzić rzeczywisty poziom oleju.
5. Wyjąć prętowy wskaźnik poziomu oleju.
6. Sprawdzić poziom oleju na wskaźniku prętowym.
7. Jeśli poziom oleju jest zbyt niski, napęlnić zbiornik olejem silnikowym i wykonać ponowną kontrolę poziomu oleju.

(Rys. 54)

Uwaga: Użyć lejka, aby uniknąć rozlania.

Wymiana oleju silnikowego



OSTRZEŻENIE: Olej silnikowy jest niezwykle gorący bezpośrednio po wyłączeniu silnika. Poczekać na

ostygnięcie silnika przed spuszczeniem oleju silnikowego. W przypadku rozlania oleju silnikowego na skórę, zmyć go wodą z mydłem.

(Rys. 55)

1. Odłączyć przewód zapłonowy od świecy zapłonowej.
2. Odkręcić korek zbiornika oleju.
3. Spuścić olej silnikowy.
 - a) W przypadku modeli z korkiem spustowym oleju: Umieścić pod korkiem spustowym oleju pojemnik, do którego zebrany zostanie olej silnikowy.
 - b) W przypadku modeli bez korka spustowego oleju lub gdy nie jest możliwe umieszczenie pojemnika pod korkiem spustowym oleju: Spuścić olej silnikowy ze zbiornika oleju za pomocą pompki do spuszczenia oleju (akcesorium).
4. Napęlnić nowym olejem silnikowym zgodnym z zaleceniami zawartymi w *Dane techniczne na stronie 262*.
5. Skontrolować poziom oleju. Patrz *Kontrola poziomu oleju na stronie 260*.

Uzupełnianie i wymiana oleju silnikowego

- Informacje dotyczące napełniania i wymiany oleju silnikowego można znaleźć w instrukcji obsługi silnika.

Czyszczenie i wymiana filtra powietrza (LC 5551SP, LC 551VBP)

- Informacje dotyczące czyszczenia i wymiany filtra powietrza można znaleźć w instrukcji obsługi silnika.

Demontaż i montaż filtra powietrza (LC 551VQ)



OSTRZEŻENIE: Stosować rękawice ochronne.

1. Wcisnąć zaciski na pokrywie filtra powietrza.
2. Ostrożnie wymontować pokrywę filtra powietrza (A) z silnika.
3. Wymontować filtr powietrza (B) i filtr piankowy (C). (Rys. 56)
4. Sprawdzić filtr powietrza pod kątem uszkodzeń. Uszkodzony filtr powietrza należy wymienić.
5. Wyczyścić i sprawdzić filtr powietrza. Patrz *Czyszczenie filtra powietrza (LC 551VQ) na stronie 261*.
6. Zamontować w odwrotnej kolejności.

Czyszczenie filtra powietrza (LC 551VQ)



UWAGA: Nie uruchamiać silnika bez zamontowanego filtra powietrza i w przypadku, gdy filtr powietrza jest brudny.



UWAGA: Wymienić filtr powietrza, jeżeli nie może on być całkowicie oczyszczony lub jeśli jest uszkodzony. Wadliwy filtr powietrza powoduje uszkodzenia silnika.

1. Wcisnąć zaczepy blokujące (A), zdjąć pokrywę filtra powietrza (B) i wyjąć filtr powietrza (C). (Rys. 57)
2. Uderzyć filtrem o twardą powierzchnię lub przedmuchać filtr sprężonym powietrzem od jego czystej strony.



UWAGA: Nie używać szczotki do usuwania brudu, ponieważ powoduje to wepchnięcie brudu do filtra.

3. Oczyszczyć uchwyt filtra powietrza (D) i pokrywę filtra powietrza wilgotną szmatką.



UWAGA: Upewnić się, że brud nie dostaje się do kanału powietrznego (E).

4. Zamontować filtr powietrza. Upewnić się, że filtr powietrza ściśle przylega do uchwytu filtra powietrza.
5. Zamontować pokrywę filtra powietrza, zaczynając od dolnych zaczepów.

Sprawdzanie świecy zapłonowej



UWAGA: Stosuj wyłącznie świece zapłonowe zalecane przez producenta. Niewłaściwy typ świecy zapłonowej może spowodować uszkodzenie produktu.

- Sprawdzić świecę zapłonową, jeśli silnik ma za małą moc, trudno go uruchomić lub nie działa prawidłowo na biegu jałowym.

- Aby zmniejszyć ryzyko przedostawania się niepożądanych materiałów na elektrody świecy zapłonowej, należy przestrzegać poniższych instrukcji:
 - a) Dopilnować, by obroty biegu jałowego zostały prawidłowo wyregulowane.
 - b) Dopilnować, aby używana była odpowiednia mieszanka paliwowa.
 - c) Zadbaj o czystość filtra powietrza.
- Jeśli świeca zapłonowa jest zabrudzona, należy ją wyczyścić i upewnić się, że odstęp między elektrodami jest prawidłowy, patrz *Dane techniczne na stronie 262*. (Rys. 58)
- W razie potrzeby wymienić świecę zapłonową.

Kontrolowanie instalacji paliwowej

- Skontrolować korek zbiornika paliwa oraz uszczelkę korka zbiornika paliwa w celu upewnienia się, że nie występują żadne uszkodzenia.
- Skontrolować przewód paliwowy w celu upewnienia się, że nie przecieka. W przypadku uszkodzenia przewodu paliwowego zlecić jego wymianę przedstawicielowi serwisowemu.

Regulacja obrotów i dźwigni gazu

Regulacja obrotów reguluje prędkość jazdy. Dźwignia przepustnicy umożliwi regulację prędkości obrotowej silnika.



UWAGA: Nie regulować obrotów, gdy silnik jest włączony.

1. Aby wyregulować prędkość jazdy, obrócić śrubę regulacyjną (A) w celu wyregulowania długości osłony linki. Aby zwiększyć prędkość jazdy, skrócić osłonę linki.
2. Jeśli nie można załączyć położenia ssania lub stop, należy wyregulować obroty silnika. Obrócić śrubę regulacyjną (B). (Rys. 59)

Transport, przechowywanie i utylizacja

Transport i przechowywanie

- W zakresie przechowywania i transportu maszyny i paliwa należy upewnić się, że nie ma żadnych przecieków ani nie wydostają się z urządzenia żadne opary. Iskry lub otwarty płomień pochodzące, na przykład, z urządzeń elektrycznych lub kotłów, mogą wzniecić pożar.
- Zawsze należy korzystać z zatwierdzonych pojemników do przechowywania i transportu paliwa.

- Opróżnić zbiornik paliwa przed odłożeniem maszyny na dłuższy okres. Utylizacja paliwa w odpowiednim miejscu
- Podczas transportu, w celu zapobieżenia uszkodzeniom i wypadkom, maszynę należy bezpiecznie zamocować.
- Maszynę należy przechowywać w zamkniętym obszarze w celu uniemożliwienia dzieciom lub nieupoważnionym osobom uzyskania do niej dostępu.

- Produkt przechowywać w suchym obszarze nie narażonym na przymrozki.

Utylizacja

- Przestrzegać lokalnych wymogów dotyczących recyklingu oraz obowiązujących przepisów.

- Zutylizować wszelkie środki chemiczne, takie jak olej silnikowy i paliwo, w centrum serwisowym lub w odpowiednim miejscu utylizacji.
- Gdy produkt nie jest już użytkowany, należy go odesłać Husqvarna do dealera lub zutylizować w centrum utylizacji.

Dane techniczne

	LC 551SP	LC 551VBP	LC 551VQ
Silnik			
Marka	Kawasaki	Kawasaki	Husqvarna
Model	FJ180V	FJ180V	HS 166AP
Typ silnika	Jednocylindrowy, 4-suwowy, wymuszony obieg powietrza chłodzącego, OHV	Jednocylindrowy, 4-suwowy, wymuszony obieg powietrza chłodzącego, OHV	Jednocylindrowy, 4-suwowy, wymuszony obieg powietrza chłodzącego, OHV
Pojemność, cm ³	179	179	166
Prędkość, obr./min	2800	2800	2800
Nominalna moc wyjściowa silnika (kW) ⁹¹	2,9	2,9	2,7
Układ zapłonowy			
Świeca zapłonowa	NGK BPR5ES	NGK BPR5ES	Husqvarna HQT-7
Odstęp między elektrodami, w mm	0,6–0,8	0,6–0,8	0,7–0,8
Układ zasilania/smarowania			
Metoda smarowania silnika	Ciśnienie z filtrem oleju	Ciśnienie z filtrem oleju	Rozprysk
Pojemność zbiornika paliwa, w l	1,9	1,9	1,5
Pojemność zbiornika oleju, l	0,7	0,7	0,5
Olej silnikowy ⁹²	Husqvarna SAE 30	Husqvarna SAE 30	Husqvarna SAE 30
Waga			
Z pustymi zbiornikami, kg	48,5	52,5	51,0
Poziom hałas ⁹³			
Zmierzony poziom mocy akustycznej, dB(A)	97	96	97
Poziom głośności, gwarantowana moc akustyczna L _{WA} dB(A)	98	98	98

⁹¹ Moc silnika podana jest jako średnia, wyjściowa moc znamionowa (przy podanych obrotach) dla typowego modelu produkowanego silnika zmierzonego wg normy SAE J1349/ISO1585. Silniki produkowane masowo mogą odbiegać od tej wartości. Aktualna moc wyjściowa zainstalowanego na maszynie silnika zależeć będzie od prędkości obrotowej, warunków otoczenia oraz innych wartości.

⁹² Jeśli olej SAE-30 jest stosowany w temperaturze poniżej +5°C, istnieje ryzyko, że silnik nie będzie odpowiednio smarowany. Może to doprowadzić do uszkodzenia silnika. Patrz *Wymiana oleju silnikowego na stronie 260*, aby uzyskać informacje na temat oleju odpowiedniego dla niskich temperatur.

⁹³ Emisję hałasu do otoczenia zmierzono jako moc akustyczną (L_{WA}), zgodnie z dyrektywą Rady 2000/14/WE.

	LC 551SP	LC 551VBP	LC 551VQ
Poziomy głośności ⁹⁴			
Poziom ciśnienia akustycznego przy uchu operatora, dB(A)	87	84	86
Poziomy drgań ⁹⁵			
Uchwyt, m/s ²	4,5	4,5	3,2
Osprzęt tnący			
Wysokość koszenia, mm	26-74	26-74	26-74
Szerokość koszenia, mm	510	510	510
Nóż	Zbieranie	Zbieranie	Zbieranie
Numer produktu	5875908-10	5821494-10	5875908-10
Pojemność pojemnika na trawę, l	65	65	65
Napęd			
Prędkość, km/h	4,1	2,8-5	2,8-5

⁹⁴ Poziom ciśnienia akustycznego zgodnie z normą ISO 5395. Odnotowane dane dla ciśnienia akustycznego mają typowe rozproszenie statystyczne (odchylenie standardowe) w wysokości 1,2 dB (A).

⁹⁵ Poziom wibracji zgodnie z normą ISO 5395. Odnotowane dane dla poziomu wibracji mają typowe rozproszenie statystyczne (odchylenie standardowe) w wysokości 0,2 m/s².

Deklaracja zgodności

Deklaracja zgodności UE

Firma **Husqvarna AB**, SE-561 82 Huskvarna,
Szwecja, tel.: +46-36-146500, deklarujemy z pełną
odpowiedzialnością, że produkt:

Opis	Kosiarka
Marka	Husqvarna
Typ/model	LC 551SP, LC 551VBP, LC 551VQ
Identyfikacja	Numery seryjne z roku 2022 i nowsze

spełnia wszystkie wymogi określone w odpowiednich
dyrektywach i przepisach UE:

Przepis	Opis
2006/42/WE	„w sprawie maszyn”
2014/30/UE	„w sprawie kompatybilności elektromagnetycznej”
2000/14/WE	„dotycząca emisji hałasu do środowiska”
2011/65/UE	„dotycząca ograniczenia użycia niektórych substancji niebezpiecznych w sprzęcie elektrycznym i elektronicznym”

oraz został zaprojektowany zgodnie z następującymi
normami i parametrami technicznymi: EN ISO
5395-1:2013/A1:2018, EN ISO 5395-2:2013/A1:2016/
A2:2017, EN ISO 14982:2009, EN IEC 63000:2018

Jednostka notyfikowana: 0404, RISE SMP Svensk
Maskinprovning AB, Box 4053, SE-904 03 Umeå,
Szwecja potwierdza zgodność z dyrektywą rady
2000/14/WE, procedura oceny zgodności: Załącznik VI.

Informacje dotyczące emisji hałasu, patrz *Dane
techniczne na stronie 262*.

Huskvarna, 2022-09-29



Claes Losdal, Szef ds. Rozwoju Produkcji/Produkty
ogrodowe, Husqvarna AB

Osoba odpowiedzialna za dokumentację techniczną



ÍNDICE

Introdução.....	265	Manutenção.....	272
Segurança.....	266	Transporte, armazenamento e eliminação.....	275
Montagem.....	269	Especificações técnicas.....	275
Funcionamento.....	270	Declaração de conformidade.....	278

Introdução

Descrição do produto

O produto é um corta-relva giratório de controlo apeado. A relva é apanhada num coletor de relva. Remova o coletor de relva para recolher a descarga traseira da relva. Prenda um kit de trituração (acessório) para cortar a relva e torná-la fertilizante.

Vista geral do produto

(Fig. 1)

1. Punho de travão do motor
2. Punho/barra de direção
3. Controlo de velocidade
4. Manípulo de direção
5. Punho do cabo de arranque
6. Coletor de relva
7. Ajuste da altura do punho
8. Controlo da altura de corte

Vista geral do produto

(Fig. 2)

1. Punho/barra de direção
2. Controlo do travão da lâmina (LC 551VBP)
3. Controlo de velocidade/acelerador (LC 551VBP)
4. Manípulo de direção (LC 551VBP)
5. Inibidor de arranque (LC 551VBP)
6. Punho do cabo de arranque
7. Coletor de relva
8. Ajuste da altura do punho
9. Controlo da altura de corte
10. Vareta de nível/depósito de óleo
11. Tampa de corte
12. Silenciador
13. Vela de ignição
14. Filtro de ar
15. Depósito de combustível
16. Cobertura traseira
17. Punho de travão do motor (LC 551SP)
18. Acelerador (LC 551SP)
19. Manípulo de direção (LC 551SP)
20. Manual do utilizador

Finalidade

Utilize o produto para cortar a relva. Não utilize o produto para outras tarefas.

9. Vareta de nível/depósito de óleo
10. Tampa de corte
11. Silenciador
12. Vela de ignição
13. Filtro de ar
14. Depósito de combustível
15. Cobertura traseira
16. Manual do utilizador

Símbolos no produto

- (Fig. 3) A utilização indevida ou incorreta poderá provocar ferimentos ou a morte do utilizador ou de terceiros.
- (Fig. 4) Leia o manual do utilizador com atenção e certifique-se de que compreende as instruções antes de utilizar o produto.
- (Fig. 5) Mantenha as pessoas e os animais a uma distância de segurança da área de trabalho.
- (Fig. 6) Desligue o motor e retire o cabo de ignição antes de realizar tarefas de reparação ou manutenção.
- (Fig. 7) Óleo
- (Fig. 8) Rápido
- (Fig. 9) Lento
- (Fig. 10) Desligue o motor

- (Fig. 11) Estrangulador
- (Fig. 12) Embraiação da lâmina
- (Fig. 13) Tenha cuidado com objetos projetados e ricochetes.
- (Fig. 14) Mantenha as mãos e os pés afastados da lâmina rotativa.
- (Fig. 15) Mantenha as mãos e os pés afastados das peças rotativas.
- (Fig. 16) Este produto está em conformidade com as diretivas aplicáveis da EU.
- (Fig. 17) Este produto está em conformidade com os regulamentos aplicáveis do Reino Unido.
- (Fig. 18) Emissão de ruído para a etiqueta ambiental de acordo com as diretivas e regulamentos da União Europeia e do Reino Unido e o regulamento "Protection of the Environment Operations (Noise Control) Regulation 2017" (regulamento de proteção de operações no meio ambiente [controle do ruído] de 2017) da Nova Gales do Sul. O nível de potência sonora garantido do produto está especificado nas *Especificações técnicas na página 275* e na etiqueta.
- (Fig. 19) Os gases de escape do motor contêm monóxido de carbono, um gás inodoro, tóxico e altamente perigoso. Não utilize o produto em zonas interiores ou espaços fechados.
- (Fig. 20) Não utilize o produto em zonas interiores ou espaços fechados.

- (Fig. 21) Risco de explosão.
- (Fig. 22) Superfície quente
- (Fig. 23) O motor é fornecido sem óleo.
- (Fig. 24) Encha com óleo antes de utilizar o produto.
- (Fig. 25) Não utilize combustível E85.
- (Fig. 26) Mantenha o produto afastado de chamas abertas.
- (Fig. 27) Código para leitura.

Nota: Os restantes símbolos/autocolantes no produto referem-se a requisitos legais específicos do mercado.

Emissões Euro V



ATENÇÃO: A adulteração do motor anula a aprovação deste produto pela UE.

Responsabilidade pelo produto

Como referido nas leis de responsabilidade pelo produto, não somos responsáveis por danos causados pelo nosso produto se:

- o produto tiver sido incorretamente reparado.
- o produto tiver sido reparado com peças que não sejam do fabricante ou que não sejam aprovadas pelo fabricante.
- o produto tiver um acessório que não seja do fabricante ou que não seja aprovado pelo fabricante.
- o produto não tiver sido reparado por um centro de assistência autorizado ou por uma autoridade aprovada.

Segurança

Definições de segurança

Os avisos, as precauções e as notas são utilizados para indicar partes especialmente importantes do manual.



ATENÇÃO: Utilizado no caso de existir risco de ferimento ou morte para o utilizador ou transeuntes, se não forem respeitadas as instruções do manual.



CUIDADO: Utilizado se existir risco de danos para o produto, para outros materiais

ou para a área adjacente, se não forem respeitadas as instruções do manual.

Nota: Utilizado para disponibilizar informações adicionais necessárias numa determinada situação.

Instruções de segurança gerais



ATENÇÃO: Leia as instruções de aviso que se seguem antes de utilizar o produto.

- Este produto é perigoso se for utilizado de forma incorreta ou se não o utilizador for cuidadoso. Podem ocorrer ferimentos graves ou mesmo morte se as instruções de segurança não forem respeitadas.
- Este produto produz um campo eletromagnético durante o funcionamento. Em determinadas circunstâncias, este campo pode interferir com o funcionamento de implantes médicos ativos ou passivos. Para diminuir o risco de ferimentos graves ou mortais, recomendamos que os portadores de implantes médicos consultem o seu médico e o fabricante do implante antes de utilizar este produto.
- Seja sempre cuidadoso e use o seu senso comum. Se não tiver a certeza sobre como utilizar o produto numa situação especial, pare e fale com o seu revendedor Husqvarna antes de continuar.
- Tenha em atenção que o utilizador é responsável pelos acidentes que incluem outras pessoas ou a respetiva propriedade.
- Mantenha o produto limpo. Certifique-se de que pode ler claramente os sinais e os autocolantes.
- O produto só pode ser utilizado por pessoas que lerem e compreenderam o conteúdo do manual do operador.
- Não deixe uma criança utilizar o produto.
- Mantenha as crianças afastadas da área de trabalho. Tem de estar sempre presente um adulto responsável.
- Não deixe que o produto seja utilizado por uma pessoa que não conhece as instruções.
- Monitorize sempre a utilização do produto por pessoas com diminuição da capacidade física ou mental. Tem de estar sempre presente um adulto responsável.
- Não utilize o produto se estiver cansado, doente ou sob a influência de álcool, drogas ou medicamentos. Estes têm um efeito negativo na sua visão, atenção, capacidade de discernimento ou controlo físico.
- Não utilize o produto se este apresentar algum defeito.
- Não altere este produto e não o utilize se houver a possibilidade de ter sido alterado por outros.
- Não altere o ajuste do controlo da velocidade do motor.
- Nunca utilize o produto em más condições meteorológicas, como nevoeiro, chuva, ventos fortes, frio intenso e risco de trovoadas. A utilização do produto em más condições meteorológicas ou em localizações molhadas ou com humidade é cansativa. As más condições meteorológicas podem causar condições perigosas, como superfícies escorregadias.
- Observe se há pessoas, objetos e situações que possam impedir o funcionamento seguro do produto.
- Observe se há obstáculos como raízes, pedras, ramos, buracos e valas. A relva longa pode ocultar obstáculos.
- Cortar relva em declives pode ser perigoso. Não utilize o produto em terrenos com um declive superior a 15°.
- Utilize o produto ao longo da face dos declives. Não se desloque para cima e para baixo.
- Tenha cuidado ao aproximar-se de esquinas com pouca visibilidade e de objetos que possam impedir uma boa visibilidade.

Segurança do trabalho



ATENÇÃO: Leia as instruções de aviso que se seguem antes de utilizar o produto.

- Utilize este produto apenas para cortar relva. Não é permitido utilizá-lo para outras tarefas.
- Use equipamento de proteção pessoal. Consulte *Equipamento de proteção pessoal na página 268*.
- Certifique-se de que sabe como desligar o motor rapidamente em caso de emergência.
- Nunca ligue o motor num espaço fechado ou perto de material inflamável. Os gases de escape do motor são quentes e podem conter faíscas causadoras de incêndios.
- Não utilize o produto, a menos que a lâmina e todas as coberturas estejam corretamente montadas. Uma lâmina montada incorretamente pode soltar-se e causar ferimentos pessoais.
- Certifique-se de que a lâmina não atinge objetos como pedras e raízes. Isto pode causar danos à lâmina e dobrar o eixo do motor. Um eixo dobrado provoca fortes vibrações e um elevado risco de a lâmina se soltar.
- Se a lâmina atingir um objeto ou ocorrerem vibrações, pare o produto imediatamente. Desligue o cabo de ignição da vela de ignição. Examine se o produto apresenta sinais de danos. Repare os danos ou solicite a reparação numa oficina autorizada.
- Nunca ligue o manípulo de travão do motor de modo permanente ao punho durante o arranque do motor.
- Coloque o produto numa superfície estável e plana e ligue-o. Certifique-se de que a lâmina não atinge o solo ou outros objetos.

Segurança no local de trabalho



ATENÇÃO: Leia as instruções de aviso que se seguem antes de utilizar o produto.

- Retire objetos como ramos, galhos e pedras da área de trabalho antes de utilizar o produto.
- Os objetos que embatem no equipamento de corte podem ser projetados e causar danos a pessoas e objetos. Mantenha terceiros e animais a uma distância de segurança do produto.

- Mantenha-se sempre por trás do produto quando o operar.
- Mantenha todas as rodas no chão e as duas mãos sobre o punho quando utilizar o produto. Mantenha as mãos e os pés afastados das lâminas rotativas.
- Não incline o produto quando ligar o motor.
- Tenha cuidado quando puxar o produto para trás.
- Nunca levante o produto quando ligar o motor. Se tiver de levantar o produto, desligue primeiro o motor e o cabo de ignição da vela de ignição.
- Não caminhe para trás quando operar o produto.
- Desligue o motor quando se deslocar em zonas sem relva, por exemplo caminhos de gravilha, pedra e asfalto.
- Não corra com o produto quando o motor está ligado. Caminhe sempre que operar o produto.
- Pare o motor antes de mudar a altura de corte. Nunca efetue ajustes com o motor ligado.
- Nunca deixe o produto fora de vista com o motor ligado. Pare o motor e certifique-se de que o equipamento de corte não roda.

Instruções de segurança para funcionamento

Equipamento de proteção pessoal



ATENÇÃO: Leia as instruções de aviso que se seguem antes de utilizar o produto.

- O equipamento de proteção pessoal não previne totalmente os ferimentos mas diminui a respetiva gravidade em caso de acidente. Obtenha ajuda junto do seu concessionário para selecionar o equipamento certo.
- Utilize protetores acústicos se o nível de ruído for superior a 85 dB.
- Use botas ou sapatos antiderrapantes resistentes. Não use calçado aberto nem ande com os pés descalços.
- Use calças compridas e resistentes.
- Use luvas de proteção sempre que necessário, por exemplo, ao fixar, examinar ou limpar o equipamento de corte.

Dispositivos de segurança no produto



ATENÇÃO: Leia as instruções de aviso que se seguem antes de utilizar o produto.

- Não utilize um produto com dispositivos de segurança danificados ou que não funcionem corretamente.
- Verifique regularmente os dispositivos de segurança. Se os dispositivos de segurança estiverem danificados ou não funcionarem

corretamente, contacte a sua oficina autorizada Husqvarna.

- Não faça modificações nos dispositivos de segurança.

Verificar a cobertura de corte

A cobertura de corte reduz as vibrações no produto e o risco de ferimentos causados pela lâmina.

- Examine a cobertura de corte para se certificar de que não existem danos, como fissuras.

Verificar o punho de travão do motor ((LC 551SP, LC 551VQ))

O punho de travão do motor para o motor. Quando o punho de travão do motor é libertado, o motor para.

- Ligue o motor e depois solte o punho do travão do motor. Se o motor não parar em 3 segundos, solicite o ajuste do travão do motor numa oficina Husqvarna autorizada. (Fig. 28)

Verificar o controlo do travão da lâmina e o inibidor de arranque (LC 551VBP)

O controlo do travão da lâmina para apenas a lâmina, não o motor. Quando soltar o controlo do travão da lâmina, a lâmina para.

1. Ligue o motor.
2. Empurre o controlo do travão da lâmina no sentido da barra de direção. O inibidor de arranque para o movimento.
3. Empurre o inibidor de arranque para fora.
4. Empurre o controlo do travão da lâmina no sentido da barra de direção. A lâmina começa a rodar.
5. Solte o controlo do travão da lâmina. Se a lâmina não parar em 3 segundos, solicite o ajuste do travão da lâmina numa oficina Husqvarna autorizada. (Fig. 29)
6. Certifique-se de que o inibidor de arranque regressa à posição inicial.

Silenciador

O silenciador mantém o mais baixo nível de ruído possível e afasta os gases de escape do utilizador.

Não utilize o produto se o silenciador estiver defeituoso ou estiver em falta. Um silenciador defeituoso aumenta o nível de ruído e o risco de incêndio.



ATENÇÃO: O silenciador fica muito quente durante e após a utilização e quando o motor funciona ao ralenti. Tenha cuidado junto de materiais inflamáveis e/ou vapores para evitar incêndios.

Verificar o silenciador

- Examine o silenciador regularmente para se certificar de que está bem fixo e não está danificado.

Segurança no manuseamento do combustível



ATENÇÃO: Leia as instruções de aviso que se seguem antes de utilizar o produto.

- Não ligue o produto se houver combustível ou óleo do motor sobre o produto. Remova o combustível/ óleo indesejado e deixe o produto secar.
- Se derramar combustível na sua roupa, troque de roupa imediatamente.
- Não deixe que o combustível entre em contacto com o seu corpo, pois pode causar ferimentos. Se o combustível entrar em contacto com o seu corpo, use sabão e água para o remover.
- Não ligue o produto se o motor tiver uma fuga. Examine regularmente o motor quanto a fugas.
- Tenha cuidado com o combustível. O combustível é inflamável e os gases são explosivos e podem causar ferimentos ou morte.
- Não respire os gases do combustível, podem causar ferimentos. Certifique-se de que existe um fluxo de ar suficiente.
- Não fume perto de combustível ou do motor.
- Não coloque objetos quentes perto do combustível ou do motor.
- Não acrescente combustível com o motor em funcionamento.
- Certifique-se de que o motor está frio antes de reabastecer.
- Antes de reabastecer, abra lentamente a tampa do depósito de combustível e liberte a pressão com cuidado.
- Não adicione combustível ao motor numa área interior. O fluxo de ar insuficiente pode causar ferimentos ou morte devido a asfixia ou monóxido de carbono.
- Aperte completamente a tampa de depósito de combustível. Se a tampa de depósito de combustível não estiver apertada, existe um risco de incêndio.

- Desloque o produto a uma distância mínima de 3 m (10 pés) da posição onde abasteceu o depósito antes de começar.
- Não encha totalmente o depósito de combustível. O calor provoca a expansão do combustível. Mantenha um espaço na parte superior do depósito de combustível.

Instruções de segurança para manutenção



ATENÇÃO: Leia as instruções de aviso que se seguem antes de utilizar o produto.

- Os gases de escape do motor contêm monóxido de carbono, um gás inodoro, tóxico e altamente perigoso. Não ligue o motor em zonas interiores ou em espaços fechados.
- Antes de proceder à manutenção do produto, desligue o motor e retire o cabo de ignição da vela de ignição.
- Use luvas de proteção quando realizar a manutenção do equipamento de corte. A lâmina é muito afiada e pode facilmente provocar cortes.
- A utilização de acessórios e a realização de alterações no produto que não sejam aprovadas pelo fabricante podem causar ferimentos graves ou morte. Não altere o produto. Utilize sempre acessórios que sejam aprovados pelo fabricante.
- Se a manutenção não for realizada de forma correta e regular, o risco de ferimentos e danos no produto aumenta.
- Realize apenas tarefas de manutenção indicadas neste manual do proprietário. Todas as outras operações de manutenção devem ser realizadas por uma oficina Husqvarna autorizada.
- Leve o produto regularmente a uma oficina Husqvarna autorizada para realizar a manutenção.
- Substitua as peças danificadas, gastas ou partidas.

Montagem

Introdução



ATENÇÃO: Antes de montar o produto, tem de ler e compreender o capítulo sobre segurança.



ATENÇÃO: Retire o cabo da vela de ignição antes de montar o produto.

Montar o punho

1. Desaperte os botões inferiores do lado esquerdo e do lado direito do produto. Certifique-se de que a anilha de plástico encaixa na reentrância do suporte do punho. (Fig. 30)
2. Instale o punho rebatido para a frente, conforme apresentado na figura. (Fig. 31)
 - a) Certifique-se de que a anilha de plástico se encontra entre o punho e o respetivo suporte.
 - b) Fixe o punho ao respetivo suporte.

3. Levante o punho. (Fig. 32)
4. Aperte os botões totalmente. Para ajustar a altura do punho, consulte *Ajustar a altura da barra na página 270*.
5. Coloque os cabos nos suportes para cabos. Certifique-se de que os cabos não estão torcidos. Prenda os suportes para cabos ao punho. (Fig. 33)
6. Utilize uma abraçadeira para prender os cabos ao suporte do punho. (Fig. 34)

Ajustar a altura da barra

1. Desaperte os manípulos inferiores.
2. Desloque os botões para a extremidade inferior das ranhuras, dos lados esquerdo e direito do produto. (Fig. 35)
3. Defina a altura do punho para 1 das 2 posições disponíveis.
4. Desloque os botões para cima em direção à barra de direção, até pararem e ouvir um clique. (Fig. 36)
5. Aperte os botões totalmente.

Para colocar o produto na posição de transporte

1. Retire o coletor de relva.
2. Desaperte os manípulos inferiores.
3. Desloque os botões para a extremidade inferior das ranhuras, dos lados esquerdo e direito do produto. (Fig. 35)
4. Dobre a barra do guiador para a frente. (Fig. 37)

Para colocar o produto na posição de funcionamento

1. Levante a barra de direção. (Fig. 32)
2. Desloque os botões para cima em direção à barra de direção, até pararem e ouvir um clique. (Fig. 36)
3. Aperte os botões totalmente.

Montar o coletor de relva

1. Coloque a estrutura do coletor de relva no saco de relva com a parte rígida do saco no fundo. Mantenha o punho da estrutura na parte superior do saco de relva. (Fig. 38)

2. Fixe a secção inferior da estrutura do coletor de relva na parte inferior do saco de relva. (Fig. 39)
 - a) Empurre a estrutura do coletor de relva para a ranhura. Comece pelo lado direito, conforme apresentado na figura, e desloque-se gradualmente para a esquerda.
3. Se tiver dificuldades em fixar a estrutura do coletor de relva, bata cuidadosamente na mesma com uma marreta de borracha. Bata na estrutura do coletor de relva, entre os reforços. (Fig. 40)
4. Fixe o saco de relva na estrutura do coletor de relva com os grampos. (Fig. 41)
5. Levante a cobertura traseira.
6. Prenda o coletor de relva à extremidade superior do chassi.
7. Coloque a parte inferior do coletor de relva no canal de descarga da relva. (Fig. 42)

Montar o tampão de trituração (acessório)

1. Levante a cobertura traseira e retire o coletor de relva.
2. Coloque o tampão de trituração no canal de descarga. (Fig. 43)
3. Substitua a lâmina pela lâmina de trituração incluída no kit de trituração. Consulte *Substituir a lâmina na página 273*.

Cortar relva sem coletor de relva ou tampão de trituração

- Levante a cobertura traseira e retire o coletor de relva.
- Se instalados, retire o tampão de trituração e a lâmina de trituração.
- Feche a cobertura traseira antes de utilizar o produto.

Quando utilizar o produto, a relva cortada vai para baixo da cobertura traseira.

Funcionamento

Introdução



ATENÇÃO: Antes de utilizar o produto, tem ler e compreender o capítulo sobre segurança.

Husqvarna Connect

A Husqvarna Connect é uma aplicação gratuita para o seu dispositivo móvel. A aplicação Husqvarna Connect disponibiliza funções alargadas para o seu produto Husqvarna:

- Informações alargadas sobre o produto.
- Informações sobre, e ajuda relacionada com peças e manutenção do produto.

Começar a utilizar Husqvarna Connect

1. Transfira a aplicação Husqvarna Connect para o seu dispositivo móvel.
2. Registe-se na aplicação Husqvarna Connect.
3. Siga os passos das instruções na aplicação Husqvarna Connect para ligar e registar o produto.

Antes de utilizar o produto

1. Leia o manual do utilizador com atenção e certifique-se de que compreende as instruções.
2. Examine o equipamento de corte para se certificar de que está corretamente montado e ajustado. Consulte o capítulo *Para examinar o equipamento de corte na página 273*.
3. Encha o depósito de combustível. Consulte o capítulo *Encher o depósito de combustível na página 271*.
4. Encha o depósito de combustível e verifique o nível do óleo. Consulte o capítulo *Verificar o nível do óleo na página 274*.

Encher o depósito de combustível

Se disponível, utilize gasolina com base em alquilatos/ecológica. Se não estiver disponível gasolina com base em alquilatos/ecológica, utilize gasolina sem chumbo de boa qualidade ou gasolina com chumbo com um índice de octanas de pelo menos 90.



CUIDADO: Não utilize gasolina com um índice de octanas inferior a 90 RON (87 AKI). Caso contrário, pode causar danos no produto.

1. Abra a tampa do depósito de combustível devagar para libertar a pressão.
2. Encha lentamente com um recipiente de combustível. Se derramar combustível, retire-o com um pano e deixe o combustível restante secar. (Fig. 44)
3. Limpe bem à volta da tampa do depósito de combustível.
4. Aperte completamente a tampa de depósito de combustível. Se a tampa de depósito de combustível não estiver apertada, existe um risco de incêndio.
5. Desloque o produto a uma distância mínima de 3 m (10 pés) da posição onde abasteceu o depósito antes de começar.

Definir a altura de corte

A altura de corte pode ser ajustada em 6 níveis.

1. Empurre o controlo da altura de corte na direção da roda e, em seguida, para trás para aumentar a altura de corte.

2. Empurre o controlo da altura de corte na direção da roda e, em seguida, para a frente para diminuir a altura de corte. (Fig. 45)



CUIDADO: Não regule a altura de corte demasiado baixa. As lâminas podem entrar em contacto com o solo se a superfície do relvado não estiver nivelada.

Ligar o produto (LC 551VQ)

1. Certifique-se de que o cabo de ignição está ligado à vela de ignição.
2. Mantenha-se atrás do produto.
3. Segure o punho de travão do motor contra a barra de direção. (Fig. 46)
4. Segure o punho do cabo de arranque com a mão direita.
5. Puxe lentamente o cabo de arranque até sentir alguma resistência.
6. Puxe com força para fazer arrancar o motor.

Arrancar o produto (LC 551SP, LC 551VBP)

1. Certifique-se de que o cabo de ignição está ligado à vela de ignição.
2. Mantenha-se atrás do produto.
3. Ajuste o acelerador.
 - a) Se o motor estiver frio, coloque o acelerador na posição de estrangulação. (Fig. 47)
 - b) Se o motor estiver quente, não coloque o acelerador na posição de estrangulação.
4. No caso do modelo LC 551SP, segure o punho de travão do motor contra a barra de direção. (Fig. 46)
5. Segure o punho do cabo de arranque com a mão direita.
6. Puxe lentamente o cabo de arranque até sentir alguma resistência.
7. Puxe com força para fazer arrancar o motor.
8. Coloque o acelerador na posição de aceleração total.
9. No caso do modelo LC 551VBP:
 - a) Solte o inibidor de arranque.
 - b) Empurre o controlo do travão da lâmina no sentido da barra de direção para arrancar as lâminas.

Para utilizar a tração das rodas

- Puxe o manípulo de direção no sentido da barra de direção. (Fig. 48)

- No caso dos modelos LC 551VQ e LC 551VBP: Ajuste a velocidade de condução com o controlo de velocidade do lado esquerdo do punho. Desloque o controlo de velocidade para a frente para aumentar a velocidade e para trás para diminuir a velocidade. (Fig. 49)
- Antes de puxar o produto para trás, desengate a transmissão e empurre o produto para a frente aproximadamente 10 cm.
- Solte o manípulo de direção para desengatar a transmissão, por exemplo quando se aproximar de um obstáculo.

Desligar o produto (LC 551SP, LC 551VQ)

- Para parar apenas a transmissão, solte o manípulo de direção.
- Para parar o motor solte o manípulo de travão do motor.

Desligar o produto (LC 551VBP)

- Para parar apenas a transmissão, solte o manípulo de direção.

- Para desligar o motor, desloque o acelerador para a posição de paragem.

Para obter bons resultados

- Utilize sempre uma lâmina bem afiada. Uma lâmina romba produz um resultado irregular e a superfície de corte da relva fica amarela. Uma lâmina afiada também gasta menos energia que uma lâmina romba.
- Não corte mais do que $\frac{1}{3}$ do comprimento da relva. Corte primeiro com a altura de corte alta. Examine o resultado e reduza a altura de corte para um nível aplicável. Caso a relva esteja muito comprida, avance lentamente e corte duas vezes, se necessário.
- Corte em diferentes direções de cada vez, para evitar a formação de linhas no relvado.
- Mantenha a cobertura de corte limpa. A acumulação de relva e sujidade no lado interior da cobertura de corte pode diminuir o resultado de corte. Consulte *Para limpar a superfície interior da cobertura de corte na página 273.*

Manutenção

Introdução



ATENÇÃO: Antes de efetuar a manutenção, tem de ler e compreender o capítulo sobre segurança.

É necessário ter formação especial para realizar qualquer tarefa de manutenção ou reparação. Garantimos a disponibilidade de reparações e manutenção profissionais. Se o seu distribuidor não for uma oficina autorizada, pergunte-lhe onde se situa a oficina autorizada mais próxima.

Para obter informações mais detalhadas, consulte www.husqvarna.com.

Esquema de manutenção



CUIDADO: Quando inclina o produto, certifique-se de que o filtro de ar está virado para cima e não contra o solo. Risco de danos no motor.

Os intervalos de manutenção são calculados a partir da utilização diária do produto. Os intervalos são alterados se o produto não for utilizado diariamente.

Relativamente às tarefas de manutenção identificadas com *, consulte as instruções em *Dispositivos de segurança no produto na página 268.*

Manutenção	Diariamente	Semanalmente	Mensalmente
Efetuar uma inspeção geral	X		
Examinar o nível do óleo	X		
Limpar o produto	X		
Examinar o equipamento de corte	X		
Examinar a tampa de corte*	X		
Examinar o punho do travão do motor* (LC 551SP, LC 551VQ)	X		
Examinar o controlo do travão da lâmina* (LC 551VBP)	X		
Examinar o silenciador*		X	

Manutenção	Diariamente	Semanalmente	Mensalmente
Examinar a vela de ignição		X	
Substituir o óleo (pela primeira vez após 5 horas de utilização, posteriormente após cada 50 horas de utilização e anualmente)			X
Limpar ou substituir o filtro de ar			X
Examinar o sistema de combustível			X

Para efetuar uma inspeção geral

- Certifique-se de que todas as porcas e os parafusos do produto estão apertados corretamente.

Limpar o produto

- Limpe os componentes plásticos com um pano seco e limpo.
- Não utilize água para limpar o produto. A água pode entrar na bateria ou no motor, provocando um curto-circuito ou danos no produto.
- Não utilize uma máquina de lavar de pressão para limpar o produto.
- Não verta água diretamente no motor.
- Utilize uma escova para remover folhas, relva e sujidade.
- Retire a cobertura da embraiagem e utilize uma escova para remover a relva por baixo da mesma. (LC 551VBP)

Para limpar a superfície interior da cobertura de corte

1. Esvazie o depósito de combustível.
2. Coloque o produto de lado com o silenciador virado para baixo.



CUIDADO: Se o produto for colocado com o filtro de ar para baixo, o motor pode sofrer danos.

3. Utilize uma mangueira para enxaguar a superfície interna da cobertura de corte com água.

Para examinar o equipamento de corte



ATENÇÃO: Para evitar o arranque acidental retire o cabo de ignição da vela de ignição.



ATENÇÃO: Use luvas de proteção quando realizar a manutenção do equipamento de corte. A lâmina é muito afiada e pode facilmente provocar cortes.

1. Examine se o equipamento de corte está danificado ou se apresenta fissuras. Substitua sempre um equipamento de corte danificado.
2. Olhe para a lâmina para verificar se está danificada ou romba.

Nota: É necessário estabilizar a lâmina depois de ser afiada. Afie, substitua e estabilize a lâmina numa oficina especializada. Se atingir um obstáculo que faça o produto parar, substitua a lâmina danificada. Um centro de assistência deve avaliar se a lâmina pode ser afiada ou se tem de ser substituída.

Substituir a lâmina

1. Bloqueie a lâmina com um bloco de madeira. (Fig. 50)
2. Remova o parafuso da lâmina.
3. Retire a lâmina.
4. Examine se o suporte da lâmina e o parafuso da lâmina apresentam sinais de danos.
5. Examine o eixo do motor para se certificar de que não se encontra dobrado.
6. Quando colocar uma lâmina nova, aponte as extremidades inclinadas da lâmina na direção da tampa de corte. (Fig. 51)
7. Certifique-se de que a lâmina está alinhada com a parte central do eixo do motor.
8. Bloqueie a lâmina com um bloco de madeira. (Fig. 52)
9. Fixe a lâmina.
 - a) No caso do modelo LC 551SP, LC 551VQ, prenda a anilha de pressão e aperte o parafuso e a anilha com um binário de 70 Nm.
 - b) Para o modelo LC 551VBP, aperte os parafusos com um binário de 50 Nm. (Fig. 53)
10. Faça rodar a lâmina com a mão de modo a assegurar-se de que roda livremente.



ATENÇÃO: Use luvas resistentes. A lâmina é muito afiada e pode facilmente provocar ferimentos.

11. Ligue o produto para testar a lâmina. Se a lâmina não estiver corretamente ligada, o produto vibra ou o resultado de corte não é satisfatório.

Verificar o nível do óleo



CUIDADO: Um nível de óleo demasiado baixo causa danos no motor. Verifique o nível do óleo antes de ligar o produto.

1. Coloque o produto num piso nivelado.
2. Remova a tampa do depósito de óleo juntamente com a vareta de nível.
3. Limpe o óleo da vareta de nível.
4. Introduza totalmente a vareta no depósito de óleo. Aperte a tampa do depósito de óleo para se certificar de que apresenta uma imagem correta do nível do óleo.
5. Remova a vareta de nível.
6. Examine o nível do óleo na vareta de nível.
7. Se o nível do óleo estiver baixo, encha com óleo de motor e verifique novamente o nível do óleo.

(Fig. 54)

Nota: Utilize um funil para evitar derrames.

Substituir o óleo de motor



ATENÇÃO: O óleo de motor está muito quente imediatamente após desligar o motor. Deixe o motor arrefecer antes de drenar o óleo de motor. Se derramar óleo de motor na pele, limpe com água e sabão.

(Fig. 55)

1. Remova o cabo de ignição da vela de ignição.
2. Retire a tampa do depósito de óleo.
3. Drene o óleo de motor.
 - a) Para modelos com um bujão de drenagem do óleo: Coloque um recipiente por baixo do bujão de drenagem do óleo para recolher o óleo de motor.
 - b) Para modelos sem um bujão de drenagem de óleo ou se não for possível colocar um recipiente por baixo do bujão de drenagem de óleo: Utilize uma bomba de óleo (acessório) para drenar o óleo de motor do respetivo depósito.
4. Encha com óleo de motor novo do tipo recomendado em *Especificações técnicas na página 275*.
5. Verifique o nível do óleo. Consulte *Verificar o nível do óleo na página 274*.

Abastecer e substituir o óleo de motor

- Para obter informações sobre como abastecer e substituir o óleo de motor, consulte o manual do operador do motor.

Limpar e substituir o filtro de ar (LC 5551SP, LC 551VBP)

- Para obter informações sobre como limpar e substituir o filtro de ar, consulte o manual do utilizador do motor.

Remover e instalar o filtro de ar (LC 551VQ)



ATENÇÃO: Utilize luvas de proteção.

1. Pressione os grampos na cobertura do filtro de ar.
2. Retire cuidadosamente a cobertura do filtro de ar (A) do motor.
3. Retire o filtro de ar (B) e o filtro de espuma (C). (Fig. 56)
4. Examine o filtro de ar quanto à existência de danos. Substitua um filtro de ar danificado.
5. Limpe e examine o filtro de ar. Consulte *Limpar o filtro de ar (LC 551VQ) na página 274*.
6. Instale na sequência inversa.

Limpar o filtro de ar (LC 551VQ)



CUIDADO: Não coloque o motor em funcionamento sem um filtro de ar montado ou se o filtro de ar estiver sujo.



CUIDADO: Substitua o filtro de ar se este não poder ser totalmente limpo ou se estiver danificado. Um filtro de ar com defeito provoca danos no motor.

1. Empurre as linguetas de trinco (A), remova a cobertura do filtro de ar (B) e remova o filtro de ar (C). (Fig. 57)
2. Bata o filtro de ar contra uma superfície rígida ou sopra com ar comprimido através do filtro de ar a partir do lado limpo do mesmo.



CUIDADO: Não utilize uma escova para remover sujidade, uma vez que isso empurra a sujidade para o interior do filtro de ar.

3. Limpe o suporte do filtro de ar (D) e a cobertura do filtro de ar com um pano húmido.



CUIDADO: Certifique-se de que não entra sujidade na conduta de ar (E).

4. Instale o filtro de ar. Certifique-se de que o filtro de ar está completamente encostado ao suporte do filtro de ar.
5. Instale a cobertura do filtro de ar com as linguetas inferiores em primeiro lugar.

Examinar a vela de ignição



CUIDADO: utilize sempre o tipo de vela de ignição recomendado. Um tipo de vela de ignição incorreto pode provocar danos no produto.

- Examine a vela de ignição para verificar se o motor apresenta uma potência reduzida ou dificuldades de arranque, ou se não funciona corretamente ao ralenti.
- Para diminuir o risco de materiais indesejados nos elétrodos da vela de ignição, siga estas instruções:
 - a) Assegure-se de que a rotação em vazio está corretamente regulada.
 - b) Certifique-se de que a mistura de combustível está correta.
 - c) Certifique-se de que o filtro de ar está limpo.
- Se a vela de ignição estiver suja, limpe-a e certifique-se de que a distância entre os elétrodos está correta; consulte *Especificações técnicas na página 275*. (Fig. 58)

- Se for necessário, substitua a vela de ignição.

Para examinar o sistema de combustível

- Examine a tampa do depósito de combustível e o vedante da tampa do depósito de combustível para se certificar de que não existem danos.
- Examine a mangueira de combustível para se certificar de que não existem fugas. Se a mangueira de combustível estiver danificada, deverá ser substituída por uma oficina autorizada.

Ajustar o controlo de velocidade e o acelerador

O controlo de velocidade ajusta a velocidade de condução. O acelerador ajusta a velocidade do motor.



CUIDADO: Não ajuste o controlo de velocidade com o motor em funcionamento.

1. Para ajustar a velocidade de condução, rode o parafuso de ajuste (A) para ajustar o comprimento do revestimento do cabo. Reduza o comprimento do revestimento do cabo para aumentar a velocidade de condução.
2. Se não for possível acionar a posição de estrangulação ou de paragem, ajuste a velocidade do motor. Rode o parafuso de ajuste (B). (Fig. 59)

Transporte, armazenamento e eliminação

Transporte e armazenamento

- Para o transporte e armazenamento do produto e do combustível, certifique-se de que não existem fugas ou fumos. Faíscas ou chamas abertas, por exemplo de dispositivos elétricos ou mesmo caldeiras, podem causar um incêndio.
- Utilize recipientes aprovados para o transporte e armazenamento de combustível.
- Esvazie o depósito de combustível antes de armazenar o produto durante um longo período de tempo. Elimine o combustível numa localização de eliminação aplicável
- Fixe o produto de forma segura durante o transporte para evitar danos e acidentes.

- Mantenha o produto numa área trancada para impedir o acesso a crianças ou pessoas que não disponham de aprovação.
- Mantenha o produto num local seco e sem gelo.

Eliminação

- Respeite os requisitos de reciclagem locais e os regulamentos aplicáveis.
- Elimine todos os produtos químicos, como óleo de motor ou combustível, num centro de assistência ou numa localização de eliminação aplicável.
- Quando o produto deixar de ser utilizado, envie-o para um revendedor Husqvarna ou elimine-o numa localização de reciclagem.

Especificações técnicas

	LC 551SP	LC 551VBP	LC 551VQ
Motor			

	LC 551SP	LC 551VBP	LC 551VQ
Marca	Kawasaki	Kawasaki	Husqvarna
Modelo	FJ180V	FJ180V	HS 166AP
Tipo de motor	Monocilíndrico, 4 tempos, refrigeração a ar forçado, OHV	Monocilíndrico, 4 tempos, refrigeração a ar forçado, OHV	Monocilíndrico, 4 tempos, refrigeração a ar forçado, OHV
Cilindrada, cm ³	179	179	166
Rotação, rpm	2800	2800	2800
Potência nominal do motor, kW ⁹⁶	2,9	2,9	2,7
Sistema de ignição			
Vela de ignição	NGK BPR5ES	NGK BPR5ES	Husqvarna HQT-7
Distância entre os eletrodos, mm	0,6–0,8	0,6–0,8	0,7-0,8
Sistema de lubrificação e combustível			
Tipo de lubrificação do motor	Pressão com filtro de óleo	Pressão com filtro de óleo	Salpico
Capacidade do depósito de combustível, l	1,9	1,9	1,5
Capacidade do depósito de óleo, l	0,7	0,7	0,5
Óleo do motor ⁹⁷	Husqvarna SAE 30	Husqvarna SAE 30	Husqvarna SAE 30
Peso			
Com depósitos vazios, kg	48,5	52,5	51,0
Emissões de ruído ⁹⁸			
Nível de potência sonora, medido dB (A)	97	96	97
Nível de potência sonora, garantido L _{WA} dB (A)	98	98	98
Níveis sonoros ⁹⁹			
Nível de pressão sonora ao nível do ouvido do utilizador, dB (A)	87	84	86
Níveis de vibração ¹⁰⁰			
Punho, m/s ²	4,5	4,5	3,2
Equipamento de corte			

⁹⁶ A potência nominal do motor indicado é a potência líquida média (a um valor de rpm especificado) de um motor de produção típico do modelo de motor avaliado de acordo com a norma J1349/ISO1585 da SAE. Motores produzidos em série poderão divergir deste valor. A potência real do motor instalado no produto final dependerá da velocidade de operação, das condições ambientais e de outros parâmetros.

⁹⁷ Se o óleo SAE-30 for utilizado a uma temperatura inferior a +5 °C, existe o risco de não lubrificar suficientemente o motor. Isto pode provocar danos no motor. Consulte *Substituir o óleo de motor na página 274* para saber qual o óleo correto para temperaturas baixas.

⁹⁸ Emissões de ruído para as imediações, medidas sob forma de potência sonora (L_{WA}) em conformidade com a diretiva da CE 2000/14/CE.

⁹⁹ Nível de pressão de ruído em conformidade com a norma ISO 5395. Os dados comunicados relativamente ao nível de pressão de ruído têm uma dispersão estatística típica (desvio padrão) de 1,2 dB (A).

¹⁰⁰ Nível de vibração em conformidade com a norma ISO 5395. Os dados comunicados relativamente ao nível de vibração têm uma dispersão estatística típica (desvio padrão) de 0,2 m/s².

	LC 551SP	LC 551VBP	LC 551VQ
Altura de corte, mm	26-74	26-74	26-74
Largura de corte, mm	510	510	510
Lâmina	Recolha	Recolha	Recolha
Artigo n.º	5875908-10	5821494-10	5875908-10
Capacidade do coletor de relva, l	65	65	65
Transmissão			
Velocidade, km/h	4,1	2,8-5	2,8-5

Declaração de conformidade

Declaração UE de conformidade

A **Husqvarna AB**, SE-561 82 Huskvarna, Suécia,
tel.: +46-36-146500, declara, sob sua inteira
responsabilidade, que o produto:

Descrição	Corta-relva
Marca	Husqvarna
Tipo/Modelo	LC 551SP, LC 551VBP, LC 551VQ
Identificação	Números de série referentes a 2022 e posteriores

está em plena conformidade com as seguintes diretivas
e regulamentos da UE:

Regulamento	Descrição
2006/42/CE	"relativa a máquinas"
2014/30/UE	"relativa à compatibilidade eletromagnética"
2000/14/CE	"relativa a emissões de ruído para o ambiente"
2011/65/UE	"relativa à restrição do uso de determinadas substâncias perigosas em equipamento elétrico e eletrônico"

e que as seguintes normas e/ou especificações técnicas
são aplicadas: EN ISO 5395-1:2013/A1:2018, EN ISO
5395-2:2013/A1:2016/A2:2017, EN ISO 14982:2009, EN
IEC 63000:2018

Entidade competente: 0404, RISE SMP Svensk
Maskinprovning AB, Box 4053, SE-904 03 Umeå,
Sweden atribuiu a certificação de conformidade com
a Diretiva 2000/14/CE do Conselho, procedimento de
avaliação de conformidade: Anexo VI.

Para mais informações sobre as emissões de ruído,
consulte *Especificações técnicas na página 275*.

Huskvarna, 2022-09-29



Claes Losdal, chefe de desenvolvimento/produtos de
jardinagem, Husqvarna AB

Responsável pela documentação técnica



CUPRINS

Introducere.....	279	Întreținerea.....	286
Siguranță.....	280	Transportul, depozitarea și eliminarea.....	289
Asamblarea.....	283	Date tehnice.....	289
Funcționarea.....	284	Declarație de conformitate.....	291

Introducere

Descrierea produsului

Produsul este o mașină rotativă pentru tuns gazonul controlată de un operator-pieton. Iarba se adună într-un colector de iarbă. Demontați colectorul de iarbă pentru a efectua descărcarea ierbii prin partea posterioară a mașinii. Atașați un kit de mărunțire (accessoriu) pentru a tăia iarba și a o transforma în îngrășământ.

Prezentarea generală a produsului

(Fig. 1)

1. Manetă frână de motor
2. Mâner/ghidon
3. Control viteză
4. Manetă de transmisie
5. Mâner pentru șnurul de pornire
6. Colector de iarbă
7. Reglare înălțime mâner
8. Control înălțime de tăiere

Prezentarea generală a produsului

(Fig. 2)

1. Mâner/ghidon
2. Control frână cuțit (LC 551VBP)
3. Control viteză / control accelerație (LC 551VBP)
4. Manetă de transmisie (LC 551VBP)
5. Inhibitor de pornire (LC 551VBP)
6. Mâner pentru șnurul de pornire
7. Colector de iarbă
8. Reglare înălțime mâner
9. Control înălțime de tăiere
10. Jojă/rezervor de ulei
11. Capac de tăiere
12. Amortizor de zgomot
13. Bujie
14. Filtru de aer
15. Rezervor de carburant
16. Capac posterior
17. Manetă frână de motor (LC 551SP)
18. Control accelerație (LC 551SP)
19. Manetă de transmisie (LC 551SP)
20. Manualul operatorului

Domeniul de utilizare

Utilizați produsul pentru a tăia iarba. Nu utilizați produsul pentru alte sarcini.

9. Jojă/rezervor de ulei
10. Capac de tăiere
11. Amortizor de zgomot
12. Bujie
13. Filtru de aer
14. Rezervor de carburant
15. Capac posterior
16. Manualul operatorului

Simbolurile de pe produs

- (Fig. 3) Utilizarea neatentă sau incorectă poate cauza vătămări corporale sau moartea operatorului sau persoanelor din apropiere.
- (Fig. 4) Citiți cu atenție manualul operatorului și asigurați-vă că înțelegeți instrucțiunile înainte de utilizare.
- (Fig. 5) Țineți persoanele și animalele la o distanță sigură de zona de lucru.
- (Fig. 6) Opriiți motorul și scoateți cablul de alimentare a aprinderii înainte de a efectua lucrări de întreținere sau reparații.
- (Fig. 7) Ulei
- (Fig. 8) Rapid
- (Fig. 9) Lent
- (Fig. 10) Oprirea motorului

- (Fig. 11) Șoc
- (Fig. 12) Ambreiaj cuțit
- (Fig. 13) Feriți-vă de obiectele proiectate sau care ricoșează.
- (Fig. 14) Feriți-vă mâinile și picioarele de cuțitul rotativ.
- (Fig. 15) Feriți-vă mâinile și picioarele de piesele rotative.
- (Fig. 16) Acest produs este în conformitate cu directivele UE aplicabile.
- (Fig. 17) Acest produs este în conformitate cu reglementările aplicabile din Regatul Unit.
- (Fig. 18) Etichetă privind emisiile de zgomot în mediu, conform directivelor și reglementărilor din UE și Regatul Unit și legislației din New South Wales „Regulamentul privind măsurile de protecție a mediului (controlul zgomotului) din 2017”. Nivelul de putere sonoră garantat al produsului este specificat în *Date tehnice la pagina 289* și pe etichetă
- (Fig. 19) Gazele de eșapament ale motorului conțin monoxid de carbon, care este un gaz inodor, toxic și deosebit de periculos. Nu porniți produsul în interior sau în spații închise.
- (Fig. 20) Nu porniți produsul în interior sau în spații închise.
- (Fig. 21) Risc de explozie.

- (Fig. 22) Suprafață fierbinte
- (Fig. 23) Motorul este furnizat fără ulei.
- (Fig. 24) Umpleți cu ulei înainte de a utiliza produsul.
- (Fig. 25) Nu folosiți carburant E85.
- (Fig. 26) Nu lăsați produsul în apropiere de flăcări deschise.
- (Fig. 27) Cod scanabil.

Nota: Alte simboluri / autocolante de pe produs se referă la cerințele legale specifice pieței.

Emisiile de Euro V



AVERTISMENT: În urma modificării neautorizate a motorului, este anulată aprobarea de tip UE pentru acest produs.

Răspunderea pentru produs

Conform prevederilor legislației privind răspunderea pentru produs, nu ne asumăm răspunderea pentru daunele cauzate de produsul nostru dacă:

- produsul este reparat necorespunzător;
- produsul este reparat cu piese care nu provin de la producător sau care nu sunt aprobate de acesta;
- produsul are un accesoriu care nu provine de la producător sau care nu este aprobat de acesta;
- produsul nu este reparat la un centru de service omologat sau de o autoritate omologată;

Siguranță

Definiții privind siguranța

Avertismentele, atenționările și notele sunt utilizate pentru a desemna părți foarte importante din manual.



AVERTISMENT: Se utilizează dacă există risc de vătămare sau de deces pentru operator sau pentru trecători, în cazul în care instrucțiunile din manual nu sunt respectate.



ATENȚIE: Se utilizează dacă există un risc de deteriorare a produsului, a altor materiale sau a zonelor învecinate, dacă instrucțiunile din manual nu sunt respectate.

Nota: Se utilizează pentru a furniza mai multe informații care sunt necesare într-o situație dată.

Instrucțiuni generale de siguranță



AVERTISMENT: Înainte de a utiliza produsul, citiți instrucțiunile de avertizare de mai jos.

- Acest produs este periculos dacă este utilizat incorect sau dacă nu sunteți atent. Nerespectarea instrucțiunilor de siguranță poate cauza vătămări corporale sau decesul.

- În timpul funcționării, acest produs produce un câmp electromagnetic. În anumite condiții, acest câmp poate interfera cu implanturile medicale active sau pasive. Pentru a reduce riscul de vătămări corporale grave sau mortale, recomandăm persoanelor cu implanturi medicale să consulte medicul și producătorul implantului medical înainte de a utiliza acest produs.
- Procedați întotdeauna cu atenție și folosiți-vă judecata. Dacă nu sunteți sigur cum să utilizați produsul într-o situație specială, opriți-l și adresați-vă distribuitorului Husqvarna înainte de a continua.
- Rețineți că operatorul poartă responsabilitatea privind orice accidente care implică alte persoane sau bunurile acestora.
- Păstrați produsul curat. Asigurați-vă că puteți citi clar semnele și etichetele.
- Nu permiteți niciunei persoană să utilizeze produsul dacă aceasta nu a citit și înțeles conținutul manualului operatorului.
- Nu permiteți copiilor să utilizeze produsul.
- Țineți copiii departe de zona de lucru. Un adult responsabil trebuie să fie prezent în permanență.
- Nu permiteți unei persoane care nu cunoaște instrucțiunile să utilizeze produsul.
- Monitorizați permanent o persoană cu capacități fizice sau mentale reduse care utilizează produsul. Un adult responsabil trebuie să fie prezent în permanență.
- Nu utilizați produsul atunci când sunteți obosit, bolnav sau dacă ați consumat alcool, droguri sau ați luat medicamente. Acestea vă afectează negativ acuitatea vizuală, atenția, coordonarea și judecata.
- Nu utilizați produsul dacă este defect.
- Nu modificați acest produs și nu îl utilizați dacă este posibil să fi fost modificat de către alte persoane.
- Nu modificați setarea controlului turației motorului.
- Verificați dacă există persoane, obiecte și situații care pot împiedica funcționarea în siguranță a produsului.
- Atenție la obstacole, precum rădăcini, pietre, ramuri, gropi și șanțuri. În iarba înaltă se pot ascunde obstacole.
- Tunderea ierbiilor pe pante poate fi periculoasă. Nu utilizați produsul pe pante cu înclinație mai mare de 15°.
- Utilizați produsul de-a curmezișul pantei. Nu efectuați mișcări în sus și în jos.
- Procedați cu atenție atunci când vă apropiați de colțuri ascunse și de obiecte care blochează vederea.

Siguranța în lucru



AVERTISMENT: Înainte de a utiliza produsul, citiți instrucțiunile de avertizare de mai jos.

- Utilizați acest produs numai pentru tunderea gazonului. Nu este permisă utilizarea acestui produs pentru alte lucrări.
- Utilizați echipamentul personal de protecție. Consultați *Echipament de protecție personală la pagina 282*.
- Asigurați-vă că știți cum să opriți rapid motorul în caz de urgență.
- Nu porniți niciodată motorul într-un spațiu închis sau lângă materiale inflamabile. Gazele de eșapament de la motor sunt fierbinți și pot conține scântei care pot cauza un incendiu.
- Nu utilizați produsul decât dacă au fost montate corect cuțitul și toate capacele. Un cuțit montat incorect se poate slăbi, provocând vătămări corporale.
- Asigurați-vă că lama nu lovește obiecte, precum pietre și rădăcini. Acestea pot deteriora cuțitul și pot îndoi arborele motorului. Un ax îndoit poate genera vibrații puternice și prezintă un risc foarte ridicat de slăbire a cuțitului.
- Dacă lama lovește un obiect sau dacă observați vibrații, opriți produsul imediat. Decuplați cablul de alimentare a aprinderii de la bujie. Examinați dacă produsul este deteriorat. Reparați defecțiunile sau solicitați unui agent de service autorizat să le repare.
- Nu fixați niciodată de mâner maneta frânei de motor, în mod permanent, atunci când motorul este pornit.
- Poziționați produsul pe o suprafață stabilă, plană și porniți-l. Asigurați-vă că lama nu atinge solul sau alte obiecte.
- Stați întotdeauna în spatele produsului atunci când îl utilizați.
- Mențineți toate roțile pe sol și țineți ambele mâini pe mâner când utilizați produsul. Feriți-vă mâinile și picioarele de cuțitele rotative.
- Nu înclinați produsul când motorul este pornit.
- Fiți atent atunci când trageți produsul în spate.



AVERTISMENT: Înainte de a utiliza produsul, citiți instrucțiunile de avertizare de mai jos.

- Înainte de a utiliza produsul, îndepărtați obiectele precum crengile, rămurelele și pietrele din zona de lucru.
- Obiectele care se lovesc de echipamentul de tăiere pot fi aruncate, provocând vătămări corporale și pagube materiale. Țineți trecătorii și animalele la o distanță sigură de produs.
- Nu utilizați produsul pe vreme rea, de exemplu pe ceață, ploaie, vânt puternic, la temperaturi exterioare foarte scăzute și atunci când există riscul de descărcări electrice. Utilizarea produsului pe vreme nefavorabilă sau pe teren umed sau inundat este oșoitoare. Vremea nefavorabilă poate conduce la apariția de situații periculoase, de exemplu suprafețe alunecoase.

- Nu ridicăți niciodată produsul când motorul este pornit. Dacă trebuie să ridicăți produsul, mai întâi opriți motorul și deconectați cablul de alimentare a aprinderii de la bujie.
- Nu mergeți cu spatele în timp ce utilizați produsul.
- Opriți motorul când traversați zone fără iarbă, de exemplu alei din piatră, piatră și asfalt.
- Nu alergați cu produsul când motorul este pornit. Întotdeauna mergeți în timp ce utilizați produsul.
- Opriți motorul înainte de a schimba înălțimea de tăiere. Nu efectuați niciodată reglări cu motorul pornit.
- Nu lăsați niciodată produsul să iasă din câmpul vizual cu motorul pornit. Opriți motorul și asigurați-vă că echipamentul de tăiere nu se rotește.

Instrucțiuni de siguranță pentru utilizare

Echipament de protecție personală



AVERTISMENT: Înainte de a utiliza produsul, citiți instrucțiunile de avertizare de mai jos.

- Echipamentele de protecție personală nu pot elimina complet riscul de rănire, însă pot reduce gravitatea rănilor în cazul unui accident. Distribuitorul vă poate ajuta să alegeți echipamentul corect.
- Utilizați echipament de protecție a auzului dacă nivelul de zgomot este mai mare de 85 dB.
- Utilizați întotdeauna ghețe sau pantofi pentru regim greu de lucru, cu rezistență la alunecare. Nu folosiți pantofi decupați și nu operați produsul desculți.
- Utilizați pantaloni lungi, groși.
- Purtați mănuși de protecție atunci când este necesar, de exemplu atunci când conectați, inspecțiți sau curățați echipamentul de tăiere.

Dispozitivele de siguranță de pe produs



AVERTISMENT: Înainte de a utiliza produsul, citiți instrucțiunile de avertizare de mai jos.

- Nu utilizați un produs cu dispozitive de siguranță care sunt deteriorate sau care nu funcționează corect.
- Verificați regulat dispozitivele de siguranță. În cazul în care dispozitivele de siguranță sunt deteriorate sau nu funcționează corect, adresați-vă Husqvarna agentului de service.
- Nu aduceți modificări dispozitivelor de siguranță.

Verificarea capacului de tăiere

Capacul de tăiere reduce vibrațiile în produs și scade riscul de rănire de la cuțit.

- Examinați capacul de tăiere și asigurați-vă că nu există defecte, precum fisuri.

Verificarea manetei frânei de motor (LC 551SP, LC 551VQ)

Maneta frânei de motor oprește motorul. Când este eliberată maneta frânei de motor, motorul se oprește.

- Porniți motorul, apoi eliberați maneta frânei de motor. Dacă motorul nu se oprește în 3 secunde, cereți-i unui agent de service autorizat Husqvarna să regleze frâna de motor. (Fig. 28)

Inspectarea controlului frânei cuțitului și a inhibitorului de pornire (LC 551VBP)

Controlul frânei cuțitului oprește numai cuțitul, nu și motorul. Când controlul frânei cuțitului este eliberat, cuțitul se oprește.

1. Porniți motorul.
2. Împingeți controlul frânei cuțitului în direcția mânerului. Inhibitorul de pornire oprește mișcarea.
3. Împingeți inhibitorul de pornire în afară.
4. Împingeți controlul frânei cuțitului în direcția mânerului. Cuțitul începe să se rotească.
5. Eliberați controlul frânei cuțitului. Dacă cuțitul nu se oprește în 3 secunde, cereți-i unui agent de service autorizat Husqvarna să regleze frâna cuțitului. (Fig. 29)
6. Asigurați-vă că inhibitorul de pornire revine în poziția inițială.

Amortizor de zgomot

Amortizorul de zgomot este proiectat pentru a reduce la minimum nivelul de zgomot și a dirija gazele de eșapament departe de utilizator.

Nu utilizați produsul dacă amortizorul de zgomot nu este instalat sau este defect. Un amortizor de zgomot defect determină creșterea nivelului de zgomot și a pericolului de incendiu.



AVERTISMENT: Amortizorul de zgomot atinge temperaturi înalte în timpul utilizării, imediat după oprire și atunci când motorul funcționează la turația de mers în gol. Procedați cu atenție în apropierea materialelor și/sau gazelor inflamabile pentru a preveni incendii.

Pentru a verifica amortizorul de zgomot

- Verificați regulat amortizorul de zgomot pentru a vă asigura că este montat corect și nu este deteriorat.

Reguli de siguranță referitoare la carburant



AVERTISMENT: Înainte de a utiliza produsul, citiți instrucțiunile de avertizare de mai jos.

- Nu porniți produsul dacă pe acesta se află carburant sau ulei pentru motor. Îndepărtați carburantul/uleiul nedorit și lăsați produsul să se usuce.
- Dacă vărsați carburantul pe îmbrăcăminte, schimbați imediat hainele.
- Nu vărsați carburantul pe corp - poate provoca vătămări corporale. Dacă vărsați carburant pe corp, utilizați apă și săpun pentru a elimina carburantul.
- Nu porniți produsul dacă motorul prezintă scurgeri. Examinați cu regularitate motorul, pentru a identifica eventuale scurgeri.
- Manipulați cu atenție carburantul. Carburantul este inflamabil, vaporii sunt explozivi și pot cauza vătămări corporale sau deces.
- Nu respirați vaporii de carburant, se pot produce vătămări corporale. Asigurați-vă că fluxul de aer este suficient.
- Nu fumați în apropierea carburantului sau a motorului.
- Nu amplasați obiecte calde în apropierea carburantului sau a motorului.
- Nu adăugați carburant atunci când motorul este pornit.
- Asigurați-vă că motorul este rece înainte de a realimenta.
- Înainte de a realimenta, deschideți lent capacul rezervorului de carburant și eliberați cu atenție presiunea.
- Nu adăugați carburant la motor într-o zonă interioară. Un flux de aer insuficient poate cauza vătămare corporală sau deces din cauza asfrierii sau a monoxidului de carbon.
- Strângeți până la capăt capacul rezervorului de carburant. Dacă acesta nu este strâns, există pericol de incendiu.
- Înainte de pornire, mutați produsul la o distanță de minimum 3 m/10 ft față de poziția unde ați umplut rezervorul.
- Nu umpleți complet rezervorul de carburant. Căldura provoacă dilatarea carburantului. Păstrați un gol în partea de sus a rezervorului de carburant.

Instrucțiunile de siguranță pentru întreținere



AVERTISMENT: Înainte de a utiliza produsul, citiți instrucțiunile de avertizare de mai jos.

- Gazele de eșapament ale motorului conțin monoxid de carbon, care este un gaz inodor, toxic și deosebit de periculos. Nu porniți motorul în interior sau în spații închise.
- Înainte de a efectua întreținerea produsului, opriți motorul și deconectați cablul de alimentare a aprinderii de la bujie.
- Purtați mănuși de protecție când efectuați întreținerea echipamentului de tăiere. Cuițul este foarte ascuțit și vă puteți tăia foarte ușor.
- Accesoriile și modificările aduse produsului care nu sunt autorizate de către producător pot provoca vătămări corporale grave sau fatale. Nu modificați produsul. Utilizați întotdeauna numai accesorii omologate de producător.
- Dacă întreținerea nu se efectuează corect și periodic, crește pericolul de vătămări corporale și de deteriorare a produsului.
- Efectuați numai operațiile de întreținere care se regăsesc în acest manual al proprietarului. Toate celelalte operații de service trebuie efectuate de către un agent de service autorizat Husqvarna.
- Solicitați unui agent de service autorizat Husqvarna să efectueze în mod regulat operații de service la produs.
- Înlocuiți piesele deteriorate, uzate sau defecte.

Asamblarea

Introducere



AVERTISMENT: Înainte de a asambla produsul, trebuie să citiți și să înțelegeți capitolul privind siguranța.



AVERTISMENT: Demontați cablul de la bujie înainte de a asambla produsul.

Asamblarea mânerului

1. Slăbiți butoanele inferioare din stânga și din dreapta produsului. Asigurați-vă că șaiba din plastic se află în locașul din consola mânerului. (Fig. 30)
2. Fixați mânerul pliat înainte așa cum se arată în ilustrație. (Fig. 31)
 - a) Asigurați-vă că șaiba din plastic se află între mâner și consola mânerului.
 - b) Fixați mânerul pe consola mânerului.
3. Ridicați mânerul. (Fig. 32)
4. Strângeți butoanele până la capăt. Pentru a regla înălțimea mânerului, consultați *Reglarea înălțimii mânerului la pagina 284*.
5. Introduceți firele în consola cablurilor. Asigurați-vă că cablurile nu sunt răsucite. Atașați consolele cablurilor la mâner. (Fig. 33)
6. Utilizați o legătură de cablu pentru a atașa cablurile la consola mânerului. (Fig. 34)

Reglarea înălțimii mânerului

1. Slăbiți butoanele inferioare.
2. Deplasați butoanele spre capătul inferior al canelurilor de pe partea stângă și de pe partea dreaptă a produsului. (Fig. 35)
3. Setează înălțimea mânerului în 1 dintre cele 2 poziții disponibile.
4. Deplasați butoanele în sus în direcția mânerului, până când acestea se opresc și se aude un clic. (Fig. 36)
5. Strângeți rozetele până la capăt.

Așezați produsul în poziția pentru transport

1. Scoateți colectorul de iarbă.
2. Slăbiți butoanele inferioare.
3. Deplasați butoanele spre capătul inferior al canelurilor de pe partea stângă și de pe partea dreaptă a produsului. (Fig. 35)
4. Plișiți mânerul în față. (Fig. 37)

Pentru a așeza produsul în poziția de funcționare

1. Ridicați mânerul. (Fig. 32)
2. Deplasați butoanele în sus în direcția mânerului, până când acestea se opresc și se aude un clic. (Fig. 36)
3. Strângeți rozetele până la capăt.

Pentru a asambla colectorul de iarbă

1. Prindeți cadrul colectorului de iarbă de sacul de iarbă, cu partea rigidă a sacului în jos. Mențineți mânerul cadrului deasupra sacului de iarbă. (Fig. 38)
2. Atașați partea inferioară a cadrului colectorului de iarbă la partea inferioară a sacului de iarbă. (Fig. 39)

- a) Împingeți cadrul colectorului de iarbă în canelură. Începeți în partea dreaptă așa cum se indică în ilustrație și avansați treptat spre stânga.
3. În cazul în care cadrul colectorului de iarbă nu este ușor de atașat, loviți-l ușor cu un ciocan din cauciuc. Loviți cadrul colectorului de iarbă între ranforsări. (Fig. 40)
4. Prindeți sacul de iarbă de cadrul colectorului de iarbă cu ajutorul clemelor. (Fig. 41)
5. Ridicați capacul posterior.
6. Fixați colectorul de iarbă de marginea superioară a carcasei.
7. Introduceți partea inferioară a colectorului de iarbă în canalul de evacuare a ierbii. (Fig. 42)

Pentru asamblarea obturatorului pentru resturi vegetale (accesoriu)

1. Ridicați capacul posterior și scoateți colectorul de iarbă.
2. Introduceți obturatorul pentru resturi vegetale în canalul colector. (Fig. 43)
3. Înlocuiți cuțitul cu un cuțit de mărunțire care este furnizat cu kitul de mărunțire. Consultați *Înlocuirea cuțitului la pagina 287*.

Tăierea ierbii fără a instala colectorul de iarbă sau obturatorul pentru resturi vegetale

- Ridicați capacul posterior și scoateți colectorul de iarbă.
- Dacă obturatorul pentru resturi vegetale și cuțitul de mărunțire sunt atașate, îndepărtați-le.
- Închideți capacul posterior, înainte de utilizarea produsului.

Atunci când utilizați produsul, ierba tăiată este evacuată pe sub capacul posterior.

Funcționarea

Introducere



AVERTISMENT: Înainte de a utiliza produsul, trebuie să citiți și să înțelegeți capitoul privind siguranța.

Husqvarna Connect

Husqvarna Connect este o aplicație gratuită pentru dispozitivul dvs. mobil. Aplicația Husqvarna Connect vă oferă funcții extinse pentru produsul dvs. Husqvarna:

- Informații pe larg despre produs.
- Informații despre piese pentru produse și service și asistență pentru acestea.

Pentru a începe să utilizați Husqvarna Connect

1. Descărcați aplicația Husqvarna Connect pe dispozitivul dvs. mobil.
2. Înregistrați-vă în aplicația Husqvarna Connect.
3. Urmați pașii cu instrucțiuni din aplicația Husqvarna Connect pentru a conecta și înregistra produsul.

Înainte de a utiliza produsul

1. Citiți cu atenție manualul operatorului și asigurați-vă că înțelegeți instrucțiunile.
2. Examinați echipamentul de tăiere și asigurați-vă că este corect montat și reglat. Consultați *Pentru a examina echipamentul de tăiere la pagina 287*.

3. Umpleți rezervorul de carburant. Consultați *Alimentarea cu carburant la pagina 285.*
4. Umpleți rezervorul de ulei și verificați nivelul uleiului. Consultați *Verificarea nivelului de ulei la pagina 287.*

Alimentarea cu carburant

Dacă este disponibilă, folosiți benzină alchilată/cu emisii scăzute. Dacă benzina alchilată/cu emisii scăzute nu este disponibilă, folosiți benzină fără plumb sau benzină cu plumb de bună calitate, cu o cifră octanică nu mai mică de 90.



ATENȚIE: Nu utilizați benzină cu o cifră octanică mai mică de 90 RON (87 AKI). Aceasta poate deteriora produsul.

1. Deschideți încet capacul rezervorului de carburant pentru a elibera presiunea.
2. Umpleți încet, cu o canistră de carburant. Dacă vărsați carburant, îndepărtați-l cu o cârpă și lăsați-l să se usuce. (Fig. 44)
3. Curățați suprafața din jurul capacului rezervorului de carburant.
4. Strângeți până la capăt capacul rezervorului de carburant. Dacă acesta nu este strâns, există pericol de incendiu.
5. Înainte de pornire, mutați produsul la o distanță de minimum 3 m (10 ft) față de poziția unde ați umplut rezervorul.

Pentru a seta înălțimea de tăiere

Înălțimea de tăiere poate fi reglată pe 6 nivele.

1. Împingeți controlul pentru înălțimea de tăiere în direcția roții și apoi înapoi pentru a mări înălțimea de tăiere.
2. Împingeți controlul pentru înălțimea de tăiere în direcția roții și apoi înainte pentru a reduce înălțimea de tăiere. (Fig. 45)



ATENȚIE: Nu setați o înălțime de tăiere prea scăzută. Cuțitele pot atinge solul dacă suprafața gazonului nu este plană.

Pornirea produsului (LC 551VQ)

1. Cablul de alimentare a aprinderii trebuie să fie conectat la bujie.
2. Stați în spatele produsului.
3. Țineți maneta frânei de motor lipită de mâner. (Fig. 46)
4. Țineți mânerul șnurului de pornire cu mâna dreaptă.
5. Trageți încet de șnurul de pornire până ce simțiți o anumită rezistență.
6. Trageți cu forță pentru a porni motorul.

Pornirea produsului (LC 551SP, LC 551VBP)

1. Cablul de alimentare a aprinderii trebuie să fie conectat la bujie.
2. Stați în spatele produsului.
3. Reglați controlul accelerației.
 - a) Dacă motorul este rece, setați controlul accelerației în poziția clapetei de șoc. (Fig. 47)
 - b) Dacă motorul este cald, nu setați controlul accelerației în poziția clapetei de șoc.
4. La modelul LC 551SP, țineți maneta frânei de motor lipită de mâner. (Fig. 46)
5. Țineți mânerul șnurului de pornire cu mâna dreaptă.
6. Trageți încet de șnurul de pornire până ce simțiți o anumită rezistență.
7. Trageți cu forță pentru a porni motorul.
8. Setați controlul accelerației la accelerație maximă.
9. La modelul LC 551VBP:
 - a) Eliberați inhibitorul de pornire.
 - b) Împingeți controlul frânei cuțitului în direcția mânerului pentru a porniți cuțitele.

Pentru a utiliza transmisia pe roți

- Trageți maneta de transmisie în direcția mânerului. (Fig. 48)
- Pentru modelul LC 551VQ și modelul LC 551VBP: Reglați viteza de transmisie cu ajutorul controlului vitezei din partea stângă a mânerului. Deplasați controlul vitezei înainte pentru a mări viteza și înapoi pentru a reduce viteza. (Fig. 49)
- Înainte de a trage produsul în spate, decuplați transmisia și împingeți produsul înainte cu aproximativ 10 cm.
- Eliberați maneta de transmisie pentru a dezactiva transmisia, de exemplu atunci când vă apropiați de un obstacol.

Oprirea produsului (LC 551SP, LC 551VQ)

- Pentru a opri doar transmisia, eliberați maneta de transmisie.
- Pentru a opri motorul, eliberați maneta frânei de motor.

Oprirea produsului (LC 551VBP)

- Pentru a opri doar transmisia, eliberați maneta de transmisie.
- Pentru a opri motorul, deplasați controlul accelerației în poziția de oprire.

Obținerea rezultatelor bune

- Utilizați întotdeauna o lamă ascuțită. O lamă tocită oferă rezultate neregulate, iar suprafața tăiată a ierbii se îngălbeniște. De asemenea, o lamă ascuțită folosește mai puțină energie decât o lamă tocită.
- Nu tăiați niciodată mai mult de 1/3 din lungimea ierbii. Inițial, tundeți cu o înălțime mare de tăiere. Verificați rezultatul și coborâți înălțimea de tăiere la un nivel convenabil. Dacă iarba este foarte înaltă, deplasați aparatul încet și tundeți de două ori, dacă este necesar.

- Tăiați de fiecare dată în altă direcție, pentru a preveni formarea de dungi pe gazon.
- Păstrați capacul de tăiere curat. Acumularea de iarbă și murdărie pe partea interioară a capacului de tăiere poate reduce calitatea rezultatului tăierii. Consultați *Pentru a curăța suprafața interioară a capacului de tăiere la pagina 287.*

Întreținerea

Introducere



AVERTISMENT: Înainte de a efectua orice operații de întreținere, citiți și înțelegeți capitolul privind siguranța.

Toate lucrările de service și de reparații la produs necesită instruire specială. Garantăm disponibilitatea unor lucrări profesionale de reparații și service. Dacă distribuitorul dvs. nu este agent de service, solicitați acestuia informații cu privire la cel mai apropiat agent de service.

Pentru informații mai detaliate, consultați www.husqvarna.com.

Program de întreținere



ATENȚIE: Asigurați-vă că filtrul de aer este ridicat și nu este lipit de sol când înclinați produsul. Pericol de defectare a motorului.

Intervalele de întreținere sunt calculate având în vedere o utilizare zilnică a produsului. Intervalele se modifică dacă produsul nu este utilizat zilnic.

Pentru operațiunile de întreținere marcate cu *, consultați instrucțiunile din *Dispozitivele de siguranță de pe produs la pagina 282.*

Întreținere	Zilnic	Săptămânal	Lunar
Efectuați o inspecție generală	X		
Examinați nivelul uleiului	X		
Curățați produsul	X		
Examinați echipamentul de tăiere	X		
Examinați capacul de tăiere *	X		
Examinați maneta frânei de motor * LC 551SP, LC 551VQ	X		
Examinați controlul frânei cuțitului * LC 551VBP	X		
Examinați amortizorul de zgomot *		X	
Examinați bujia		X	
Schimbați uleiul (prima dată după 5 ore de utilizare, apoi la fiecare 50 ore de utilizare și anual)			X
Curățați sau înlocuiți filtrul de aer			X
Examinați sistemul de alimentare cu carburant			X

Pentru a efectua o inspecție generală

- Asigurați-vă că toate șuruburile și piulițele produsului sunt strânse.

Curățarea produsului

- Curățați componentele din plastic cu o cârpă curată și uscată.

- Nu utilizați apă pentru a curăța produsul. Apa poate pătrunde în baterie sau în motor și poate provoca scurtcircuite sau poate avaria produsul.
- Nu utilizați un aparat de spălat cu presiune pentru a curăța produsul.
- Nu stropiți niciodată direct motorul cu apă.
- Folosiți o perie pentru a elimina frunzele, iarba și murdăria.
- Scoateți capacul ambreiajului și folosiți o perie pentru a îndepărta iarba de sub el. (LC 551VBP)

Pentru a curăța suprafața interioară a capacului de tăiere

1. Goliți rezervorul de carburant.
2. Așezați produsul pe o parte, cu amortizorul de zgomot în jos.



ATENȚIE: Dacă produsul este așezat cu filtrul de aer în jos, motorul se poate deteriora.

3. Spălați cu apă suprafața interioară a capacului de tăiere.

Pentru a examina echipamentul de tăiere



AVERTISMENT: Pentru a preveni pornirea accidentală, decuplați cablul de alimentare a aprinderii de la bujie.



AVERTISMENT: Purtați mănuși de protecție când efectuați întreținerea echipamentului de tăiere. Cuțitul este foarte ascuțit și vă puteți tăia foarte ușor.

1. Examinați echipamentul de tăiere pentru a identifica eventuale deteriorări sau crăpături. Înlocuiți întotdeauna un echipament de tăiere deteriorat.
2. Observați cuțitul pentru a vedea dacă este deteriorat sau tocit.

Nota: După ascuțirea cuțitului, acesta trebuie echilibrat. Solicitați unui centru de service să ascuțe, să monteze la loc și să echilibreze cuțitul. Dacă loviți un obstacol care determină produsul să se oprească, înlocuiți cuțitul deteriorat. Solicitați centrului de service să estimeze dacă lama poate fi ascuțită sau trebuie înlocuită.

Înlocuirea cuțitului

1. Blocați cuțitul cu o bucată de lemn. (Fig. 50)
2. Scoateți șurubul cuțitului.
3. Demontați cuțitul.
4. Verificați dacă suportul și șurubul cuțitului nu sunt deteriorate.

5. Examinați arborele motorului pentru a vă asigura că nu s-a îndoit.
6. Când montați un cuțit nou, îndreptați colțurile cuțitului în direcția capacului de tăiere. (Fig. 51)
7. Asigurați-vă că aliniați cuțitul cu centrul arborelui motorului.
8. Blocați cuțitul cu o bucată de lemn. (Fig. 52)
9. Atașați cuțitul.
 - a) La modelul LC 551SP, LC 551VQ, prindeți șaiba elastică și strângeți șurubul și șaiba la un cuplu de 70 Nm.
 - b) La modelul LC 551VBP, strângeți șuruburile la un cuplu de 50 Nm. (Fig. 53)
10. Învârțiți cuțitul cu mâna și asigurați-vă că se rotește liber.



AVERTISMENT: Purtați mănuși de protecție rezistente. Cuțitul este foarte ascuțit și vă puteți răni foarte ușor.

11. Porniți produsul pentru a efectua un test al cuțitului. Dacă cuțitul nu este prins corect, produsul vibrează sau rezultatele de tăiere sunt nesatisfăcătoare.

Verificarea nivelului de ulei



ATENȚIE: Un nivel de ulei prea redus poate deteriora motorul. Efectuați o verificare a nivelului de ulei înainte să porniți produsul.

1. Așezați produsul pe teren drept.
2. Scoateți bușonul rezervorului cu joja atașată.
3. Curățați joja de ulei.
4. Introduceți complet joja în rezervorul de ulei. Strângeți bușonul rezervorului de ulei pentru a vă asigura că aveți o imagine corectă a nivelului de ulei.
5. Scoateți joja.
6. Examinați nivelul de ulei de pe joja.
7. Dacă nivelul uleiului este scăzut, completați cu ulei de motor și verificați din nou nivelul.

(Fig. 54)

Nota: Folosiți o pâlnie pentru a preveni scurgerile.

Înlocuirea uleiului de motor



AVERTISMENT: Imediat după oprirea motorului, uleiul de motor este foarte fierbinte. Lăsați motorul să se răcească înainte de a-l goli de ulei. Dacă uleiul de motor intră în contact cu pielea, curățați cu apă și săpun.

(Fig. 55)

1. Scoateți cablul de alimentare a aprinderii din bujie.
2. Scoateți bușonul rezervorului de ulei.
3. Goliți uleiul de motor.
 - a) Pentru modelele cu bușon de scurgere a uleiului: Puneți un recipient sub bușonul de scurgere pentru a colecta uleiul de motor.
 - b) Pentru modelele fără bușon de scurgere a uleiului sau dacă nu se poate pune un recipient sub bușon: Folosiți o pompă de ulei (accesoriu) pentru a goli uleiul de motor din rezervor.
4. Umpleți cu ulei de motor proaspăt de tipul recomandat în *Date tehnice la pagina 289*.
5. Verificați nivelul de ulei. Consultați *Verificarea nivelului de ulei la pagina 287*.

Adăugarea și înlocuirea uleiului de motor

- Pentru informații despre adăugarea și înlocuirea uleiului de motor, consultați manualul operatorului pentru motorul respectiv.

Curățarea și înlocuirea filtrului de aer (LC 5551SP, LC 551VBP)

- Pentru informații despre curățarea și înlocuirea filtrului de aer, consultați manualul operatorului pentru motorul respectiv.

Scoaterea și montarea filtrului de aer (LC 551VQ)



AVERTISMENT: Utilizați mănuși de protecție.

1. Apăsați clemele de pe capacul filtrului de aer.
2. Scoateți cu grijă capacul filtrului de aer (A) de pe motor.
3. Scoateți filtrul de aer (B) și filtrul de spumă (C). (Fig. 56)
4. Verificați dacă filtrul de aer nu este deteriorat. Înlocuiți filtrul de aer dacă este deteriorat.
5. Curățați și examinați filtrul de aer. Consultați *Curățarea filtrului de aer (LC 551VQ) la pagina 288*.
6. Instalați în ordine inversă.

Curățarea filtrului de aer (LC 551VQ)



ATENȚIE: Nu lăsați motorul să funcționeze fără un filtru de aer atașat sau dacă filtrul de aer este murdar.



ATENȚIE: Înlocuiți filtrul de aer dacă nu poate fi curățat complet sau dacă este deteriorat. Un filtru de aer defectuos duce la deteriorarea motorului.

1. Apăsați clapetele închizătorii (A), demontați capacul filtrului de aer (B) și scoateți filtrul de aer (C). (Fig. 57)
2. Loviți filtrul de aer de o suprafață dură sau suflați aer comprimat din partea curată a filtrului de aer.



ATENȚIE: Nu folosiți o perie pentru a înlătura murdăria, deoarece aceasta împinge murdăria în filtrul de aer.

3. Curățați suportul filtrului de aer (D) și capacul filtrului de aer cu o cârpă umedă.



ATENȚIE: Aveți grijă să nu pătrundă murdărie în conducta de aer (E).

4. Instalați filtrul de aer. Asigurați-vă că filtrul de aer se prinde etanș pe suportul filtrului de aer.
5. Montați capacul filtrului de aer mai întâi cu clapetele inferioare.

Pentru a verifica bujia



ATENȚIE: Folosiți întotdeauna tipul recomandat de bujie. Tipul incorect de bujie poate defecta produsul.

- Verificați bujia dacă motorul nu are putere, nu pomește ușor sau nu funcționează corect la turație de mers în gol.
- Pentru a reduce riscul prezenței materialelor nedorite la electrozii bujiei, respectați aceste instrucțiuni:
 - a) Asigurați-vă că turația de mers în gol este corect reglată.
 - b) Asigurați-vă că amestecul este corect.
 - c) Asigurați-vă că filtrul de aer este curat.
- Dacă bujia este murdară, curățați-o și asigurați-vă că distanța dintre electrozii este corectă, consultați *Date tehnice la pagina 289*. (Fig. 58)
- Înlocuiți bujia atunci când este necesar.

Pentru a examina sistemul de alimentare cu carburant

- Examinați bușonul rezervorului de carburant și garnitura bușonului rezervorului de carburant pentru a vă asigura că nu există deteriorări.
- Examinați furtunul de carburant pentru a vă asigura că nu există scurgeri. Dacă furtun de carburant este deteriorat, trebuie înlocuit de către un agent de service.

Reglarea controlului vitezei și a controlului accelerației

Controlul vitezei reglează viteza de transmisie. Controlul accelerației reglează turația motorului.



ATENȚIE: Nu reglați controlul vitezei atunci când motorul este pornit.

1. Pentru a regla viteza de transmisie, rotiți șurubul de reglare (A) pentru a ajusta lungimea manșonului cablului. Scurtați manșonul cablului pentru a mări viteza de transmisie.
2. Dacă poziția clapetei de șoc sau poziția de oprire nu pot fi activate, reglați turația motorului. Rotiți șurubul de reglare (B). (Fig. 59)

Transportul, depozitarea și eliminarea

Transportul și depozitarea

- Pentru depozitarea și transportul produsului și a carburantului, asigurați-vă că nu există scurgeri și gaze. Scântele sau flăcările deschise, de exemplu cele provenite de la dispozitive sau boilere electrice, pot cauza un incendiu.
- Utilizați întotdeauna recipiente omologate pentru depozitarea și transportarea combustibilului.
- Goliți rezervorul de carburant și depozitați produsul pentru o perioadă lungă de timp. Eliminați carburantul într-o locație de eliminare autorizată
- Fixați în siguranță produsul în timpul transportului pentru a preveni daunele și accidentele.
- Păstrați produsul într-o zonă restricționată pentru a preveni accesul copiilor sau al persoanelor neautorizate.

- Păstrați produsul într-un spațiu uscat și ferit de îngheț.

Dezafectarea

- Respectați cerințele de reciclare și reglementările locale aplicabile.
- Eliminați toate substanțele chimice, precum uleiul de motor sau carburantul, la un centru de service sau într-o locație de eliminare autorizată.
- Atunci când produsul nu mai este în uz, trimiteți-l la un distribuitor Husqvarna sau casați-l într-o locație de reciclare.

Date tehnice

	LC 551SP	LC 551VBP	LC 551VQ
Motor			
Marcă	Kawasaki	Kawasaki	Husqvarna
Model	FJ180V	FJ180V	HS 166AP
Tip de motor	Cu un cilindru, în 4 timpi, răcire forțată cu aer, OHV	Cu un cilindru, în 4 timpi, răcire forțată cu aer, OHV	Cu un cilindru, în 4 timpi, răcire forțată cu aer, OHV
Cilindree, cm ³	179	179	166
Turație, rpm	2800	2800	2800
Putere nominală motor, kW ¹⁰¹	2,9	2,9	2,7
Sistem de aprindere			
Bujie	NGK BPR5ES	NGK BPR5ES	Husqvarna HQT-7
Spațiu electrod, mm	0,6-0,8	0,6-0,8	0,7-0,8

¹⁰¹ Puterea nominală indicată a motorului este puterea de ieșire medie netă (la turația specificată) a unui motor de producție normal pentru modelul de motor, măsurată conform standardului SAE J1349/ISO1585. Motoarele de producție în masă pot prezenta valori diferite de aceasta. Puterea efectivă pentru motorul instalat pe produsul final va depinde de viteza de funcționare, de condițiile de mediu și de alte valori.

	LC 551SP	LC 551VBP	LC 551VQ
Carburant și sistem de lubrifiere			
Tip de lubrifiere a motorului	Presiune cu filtru de ulei	Presiune cu filtru de ulei	Stropire
Capacitate rezervor de carburant, l	1,9	1,9	1,5
Capacitate rezervor de ulei, l	0,7	0,7	0,5
Ulei pentru motor ¹⁰²	Husqvarna SAE 30	Husqvarna SAE 30	Husqvarna SAE 30
Greutate			
Cu rezervoare goale, kg	48,5	52,5	51
Emisii de zgomot ¹⁰³			
Nivel de putere acustică, măsurat dB(A)	97	96	97
Nivel de putere acustică garantat L _{WA} dB(A)	98	98	98
Niveluri de zgomot ¹⁰⁴			
Nivel de presiune a sunetului la urechea operatorului, dB(A)	87	84	86
Niveluri de vibrații ¹⁰⁵			
Mâner, m/s ²	4,5	4,5	3,2
Accesorii de tăiere			
Înălțime de tăiere, mm	26-74	26-74	26-74
Lățime de tăiere, mm	510	510	510
Cuțit	Colectare	Colectare	Colectare
Număr articol	5875908-10	5821494-10	5875908-10
Capacitate colector de iarbă, l	65	65	65
Viteza			
de deplasare, km/h	4,1	2,8-5	2,8-5

¹⁰² Dacă se folosește ulei SAE-30 la temperaturi mai joase de +5 °C, există riscul să nu lubrificez suficient motorul. Acest lucru poate cauza deteriorarea motorului. Consultați *Înlocuirea uleiului de motor la pagina 287* pentru uleiul corect pentru temperaturi scăzute.

¹⁰³ Emisiile de zgomot în mediu măsurate ca putere acustică (L_{WA}) în conformitate cu directiva CE 2000/14/CE.

¹⁰⁴ Presiunea nivelului de zgomot conform ISO 5395. Datele raportate pentru nivelul presiunii zgomotului prezintă o dispersie statistică tipică (abatere standard) de 1,2 dB(A).

¹⁰⁵ Nivelul de vibrații conform ISO 5395. Datele raportate pentru nivelul de vibrații prezintă o dispersie statistică tipică (abatere standard) de 0,2 m/s².

Declarație de conformitate

Declarație de conformitate UE

Noi, **Husqvarna AB**, SE-561 82 Huskvarna, Suedia, tel.: +46-36-146500, declarăm pe propria răspundere, că produsul:

Descriere	Mașină de tuns gazonul
Marcă	Husqvarna
Tip/Model	LC 551SP, LC 551VBP, LC 551VQ
Identificare	Numerele de serie începând cu 2022

respectă în totalitate următoarele directive și reglementări UE:

Reglementare	Descriere
2006/42/CE	„privind utilajele”
2014/30/UE	„aferență compatibilității electromagnetice”
2000/14/CE	„privind emisiile de zgomot în mediul înconjurător”
2011/65/UE	„privind restricțiile de utilizare a anumitor substanțe periculoase în echipamentele electrice și electronice”

și că au fost aplicate următoarele standarde și/sau specificații tehnice: EN ISO 5395-1:2013/A1:2018, EN ISO 5395-2:2013/A1:2016/A2:2017, EN ISO 14982:2009, EN IEC 63000:2018

Organismul notificat: 0404, RISE SMP Svensk Maskinprovning AB, Box 4053, SE-904 03 Umeå, Sweden a certificat conformitatea cu directiva 2000/14/CE a consiliului, procedura de evaluare a conformității: Anexa VI.

Pentru informații privind emisiile de zgomot, consultați *Date tehnice la pagina 289.*

Huskvarna, 2022-09-29



Claes Losdal, Director de Dezvoltare / Produse de grădinărit, Husqvarna AB

Responsabil pentru documentația tehnică



Содержание

Введение.....	292	Техническое обслуживание.....	300
Безопасность.....	293	Транспортировка, хранение и утилизация.....	303
Сборка.....	297	Технические данные.....	303
Эксплуатация.....	298	Декларация о соответствии.....	306

Введение

Описание изделия

Изделие представляет собой пешеходную роторную газонокосилку. Трава собирается в травосборник. Снимите травосборник, чтобы трава отбрасывалась назад. Установите комплект для мульчирования (дополнительная принадлежность), чтобы использовать скошенную траву в качестве удобрения.

Обзор изделия

(Рис. 1)

1. Рукоятка тормоза двигателя
2. Рукоятка / рукоятка управления
3. Регулятор скорости
4. Скоба привода
5. Ручка шнура стартера
6. Травосборник
7. Регулировка рукоятки по высоте
8. Рычаг регулировки высоты кошения

Обзор изделия

(Рис. 2)

1. Рукоятка / рукоятка управления
2. Рычаг тормоза ножа (LC 551VBP)
3. Регулятор скорости / регулятор дроссельной заслонки (LC 551VBP)
4. Скоба привода (LC 551VBP)
5. Ограничитель запуска (LC 551VBP)
6. Ручка шнура стартера
7. Травосборник
8. Регулировка рукоятки по высоте
9. Рычаг регулировки высоты кошения
10. Щуп / масляный бак
11. Кожух режущего оборудования
12. Глушитель
13. Свеча зажигания
14. Воздушный фильтр
15. Топливный бак
16. Задняя крышка
17. Рукоятка тормоза двигателя (LC 551SP)
18. Регулятор дроссельной заслонки (LC 551SP)
19. Скоба привода (LC 551SP)
20. Руководство по эксплуатации

Назначение

Используйте изделие для стрижки травы. Запрещается использовать изделие для других видов работ.

9. Щуп / масляный бак
10. Кожух режущего оборудования
11. Глушитель
12. Свеча зажигания
13. Воздушный фильтр
14. Топливный бак
15. Задняя крышка
16. Руководство по эксплуатации

Символы на изделии

(Рис. 3) Небрежная или неправильная эксплуатация может привести к травме или смерти оператора или посторонних лиц.

(Рис. 4) Перед началом работы внимательно прочитайте руководство по эксплуатации и убедитесь, что понимаете приведенные в нем инструкции.

(Рис. 5) Следите за тем, чтобы в зоне проведения работ не было людей и животных.

(Рис. 6) Остановите двигатель и отсоедините кабель зажигания, прежде чем приступать к ремонту или техобслуживанию.

(Рис. 7) Масло

- (Рис. 8) Быстро
- (Рис. 9) Медленно
- (Рис. 10) Остановите двигатель
- (Рис. 11) Воздушная заслонка
- (Рис. 12) Сцепление ножа
- (Рис. 13) Берегитесь отскакивающих предметов и рикошетов.
- (Рис. 14) Держите руки и ноги на безопасном расстоянии от вращающегося ножа.
- (Рис. 15) Держите руки и ноги на безопасном расстоянии от вращающихся деталей.
- (Рис. 16) Данное изделие отвечает требованиям действующих директив ЕС.
- (Рис. 17) Данное изделие соответствует действующим директивам Великобритании.
- (Рис. 18) Табличка с уровнем эмиссии шума в окружающую среду в соответствии с директивами и нормативами Европейского союза, Великобритании и законодательством Нового Южного Уэльса "Регламент 2017 года по защите окружающей среды (контроль уровня шума)". Гарантированный уровень мощности звука изделия указан в разделе *Технические данные на стр. 303* и на табличке
- (Рис. 19) Выхлопные газы из двигателя содержат монооксид углерода — не имеющий запаха, токсичный и чрезвычайно опасный газ. Запрещается эксплуатировать изделие в помещении или в замкнутых пространствах.
- (Рис. 20) Запрещается эксплуатировать изделие в помещении или в замкнутых пространствах.
- (Рис. 21) Опасность взрыва.
- (Рис. 22) Горячая поверхность
- (Рис. 23) Двигатель поставляется без масла.
- (Рис. 24) Залейте масло перед началом эксплуатации изделия.
- (Рис. 25) Не используйте топливо E85.
- (Рис. 26) Держите изделие на безопасном расстоянии от источников открытого пламени.
- (Рис. 27) Сканируемый код.

Примечание: Другие символы/наклейки на изделии относятся к специальным юридическим требованиям на определенных рынках.

Соответствие уровня токсичных выбросов стандарту Euro V



ПРЕДУПРЕЖДЕНИЕ: В случае вмешательства в работу двигателя данное изделие перестанет соответствовать нормативам ЕС.

Ответственность изготовителя

В соответствии с законами об ответственности изготовителя мы не несем ответственности за ущерб, вызванный эксплуатацией нашего изделия в результате:

- ненадлежащего ремонта изделия;
- использования для ремонта изделия неоригинальных деталей или деталей, не одобренных производителем;
- использования неоригинальных дополнительных принадлежностей или принадлежностей, не одобренных производителем;
- ремонта изделия в неавторизованном сервисном центре или неквалифицированным специалистом;

Безопасность

Инструкции по технике безопасности

Предупреждения, предостережения и примечания используются для выделения особо важных пунктов руководства.



ПРЕДУПРЕЖДЕНИЕ:

Используется, когда несоблюдение инструкций руководства может привести к травмам или смерти оператора или находящихся рядом посторонних лиц.



ВНИМАНИЕ: Используется, когда несоблюдение инструкций руководства может привести к повреждению изделия, других материалов или прилегающей территории.

Примечание: Используется для предоставления дополнительных сведений о конкретной ситуации.

Общие инструкции по технике безопасности



ПРЕДУПРЕЖДЕНИЕ: В обязательном порядке прочитайте следующие инструкции по технике безопасности, прежде чем приступить к эксплуатации изделия.

- При небрежном или неправильном обращении изделие может оказаться опасным инструментом. Несоблюдение инструкций по технике безопасности может привести к травмам или смерти.
- Во время работы данное изделие создает электромагнитное поле. В определенных обстоятельствах это поле может создавать помехи для пассивных и активных медицинских имплантатов. В целях снижения риска серьезной или смертельной травмы лицам с медицинскими имплантатами рекомендуется проконсультироваться с врачом и изготовителем имплантата, прежде чем приступить к эксплуатации данного изделия.
- Будьте всегда осторожны и руководствуйтесь здравым смыслом. Если вы не уверены, как правильно эксплуатировать изделие в определенной ситуации, прекратите работу и проконсультируйтесь со своим дилером Husqvarna, прежде чем продолжить.
- Помните: ответственность за аварии, угрожающие другим людям или их имуществу, несет оператор.
- Содержите изделие в чистоте. Следите за тем, чтобы знаки и наклейки были легко читаемыми.
- Не разрешайте пользоваться изделием людям, не убедившись сначала в том, что они прочитали и поняли содержание руководства по эксплуатации.
- Не позволяйте детям использовать изделие.
- Не допускайте детей в рабочую зону. Они должны постоянно находиться под присмотром взрослого.
- Не разрешайте пользоваться изделием людям, которые не знакомы с данными инструкциями.
- Не оставляйте без присмотра людей с физическими или умственными нарушениями,

использующих изделие. Они должны постоянно находиться под присмотром взрослого.

- Ни в коем случае не используйте изделие, если вы устали, больны или находитесь под воздействием спиртного, наркотических веществ или лекарственных препаратов. Это может повлиять на ваше зрение, реакцию, координацию или оценку действительности.
- Запрещается использовать изделие, если оно повреждено.
- Запрещается вносить в изделие модификации или использовать изделие, если вы подозреваете, что в его конструкцию внесены изменения другими лицами.
- Не изменяйте настройку системы управления частотой вращения двигателя.

Техника безопасности на рабочем месте



ПРЕДУПРЕЖДЕНИЕ: В обязательном порядке прочитайте следующие инструкции по технике безопасности, прежде чем приступить к эксплуатации изделия.

- Уберите ветви, сучья, камни и прочие посторонние предметы из рабочей зоны перед началом эксплуатации изделия.
- Предметы, ударяющиеся о режущий инструмент, могут быть отброшены, что приведет к травмам или повреждению имущества. Следите за тем, чтобы посторонние лица и животные находились на безопасном расстоянии от изделия.
- Ни в коем случае не используйте изделие при неблагоприятных погодных условиях, например, в туман, дождь, при сильном ветре, низких температурах и риске удара молнии. Эксплуатация изделия при плохих погодных условиях или на сырых участках утомительна. Плохие погодные условия могут создавать опасные условия для работы, например, скользкие поверхности.
- Следите за возможным появлением посторонних лиц, предметов или условий, которые могут препятствовать безопасной эксплуатации изделия.
- Следите за возможным появлением препятствий, таких как корни, камни, сучья, ямы или рвы. Высокая трава может скрывать препятствия.
- Стрижка травы на склоне может представлять опасность. Запрещается использовать изделие на участках с уклоном более 15°.
- Используйте изделие поперек поверхности склона. Не передвигайтесь вверх и вниз по поверхности склона.
- Проявляйте особую осторожность при приближении к скрытым из видимости поворотам или предметам, которые могут затруднять обзор.



ПРЕДУПРЕЖДЕНИЕ: В обязательном порядке прочитайте следующие инструкции по технике безопасности, прежде чем приступать к эксплуатации изделия.

- Изделие предназначено исключительно для скашивания травы на газонах. Запрещается использовать изделие не по назначению.
- Пользуйтесь средствами индивидуальной защиты. См. раздел *Средства индивидуальной защиты на стр. 295.*
- Убедитесь, что вы знаете, как быстро остановить двигатель в аварийной ситуации.
- Запрещается запускать двигатель в закрытом помещении или вблизи легковоспламеняющихся материалов. Выхлопные газы двигателя имеют высокую температуру и могут содержать искры, которые в свою очередь могут привести к пожару.
- Ни в коем случае не используйте изделие с отсутствующими или неисправными установленными кожухами или ножом. Неправильно установленный нож может высвободиться и причинить травму.
- Следите за тем, чтобы в нож не попали посторонние предметы, например, камни и корни. Это может затупить нож и привести к искривлению вала двигателя. При сгибании оси увеличивается уровень вибрации, что может привести к снижению надежности крепления ножа.
- В случае столкновения ножа с посторонним предметом или возникновения вибрации незамедлительно остановите изделие. Отсоедините кабель от свечи зажигания. Проверьте изделие на наличие повреждений. Выполните ремонт повреждений или обратитесь в авторизованный сервисный центр для выполнения ремонта.
- Запрещается на постоянной основе фиксировать рукоятку тормоза двигателя при работающем двигателе.
- При запуске изделие должно находиться на устойчивой, ровной поверхности. Убедитесь, что нож не касается грунта или любого другого предмета.
- При работе с изделием всегда стойте сзади.
- При работе с изделием все колеса должны стоять на земле; держите рукоятку обеими руками. Не приближайте руки или ноги к вращающимся ножам.
- Запрещается наклонять изделие при работающем двигателе.
- Соблюдайте осторожность, когда тянете изделие назад.
- Запрещается поднимать изделие при работающем двигателе. Если вам необходимо

поднять изделие, сначала остановите двигатель и отсоедините кабель от свечи зажигания.

- Запрещается двигаться назад при работе с изделием.
- Останавливайте двигатель, когда пересекаете непокрытые травой зоны, например, дорожки из гравия, камня или асфальта.
- Запрещается бегать с изделием при работающем двигателе. Работайте с изделием в спокойном темпе.
- Выключайте двигатель, прежде чем изменить высоту стрижки. Ни в коем случае не выполняйте регулировку при работающем двигателе.
- Ни в коем случае не выпускайте изделие из вида при работающем двигателе. Остановите двигатель и убедитесь, что ружье оборудование не вращается.

Инструкции по безопасности во время эксплуатации

Средства индивидуальной защиты



ПРЕДУПРЕЖДЕНИЕ: В обязательном порядке прочитайте следующие инструкции по технике безопасности, прежде чем приступать к эксплуатации изделия.

- Средства индивидуальной защиты не могут полностью исключить риск получения травмы, но при несчастном случае они снижают тяжесть травмы. За помощью по правильному выбору оборудования обращайтесь к дилеру.
- Если уровень шума превышает 85 дБ, следует использовать защитные наушники.
- Используйте прочные, противоскользящие ботинки. Запрещается надевать открытую обувь или работать босиком.
- Надевайте прочные сланные брюки.
- При необходимости надевайте защитные перчатки, например, при закреплении, проверке или очистке режущего оборудования.

Защитные устройства на изделии



ПРЕДУПРЕЖДЕНИЕ: В обязательном порядке прочитайте следующие инструкции по технике безопасности, прежде чем приступать к эксплуатации изделия.

- Не используйте изделие, если защитные устройства повреждены или работают неправильно.
- Регулярно выполняйте проверку защитных устройств. Если защитные устройства повреждены или работают неправильно, обратитесь в сервисный центр Husqvarna.

- Запрещается вносить изменения в защитные устройства.

осторожность при работе вблизи легковоспламеняющихся материалов и/или паров.

Проверка режущей деки

Режущая дека снижает уровень вибрации изделия и риск травмирования ножом.

- Проверьте режущую деку и убедитесь, что на ней отсутствуют повреждения, такие как трещины.

Проверка рукоятки тормоза двигателя (LC 551SP, LC 551VQ)

Рукоятка тормоза двигателя предназначена для остановки двигателя. При отпускании рукоятки тормоза двигатель останавливается.

- Запустите двигатель и отпустите рукоятку тормоза двигателя. Если двигатель не остановится через 3 секунды, обратитесь в авторизованный сервисный центр Husqvarna для регулировки тормоза двигателя. (Рис. 28)

Проверка рычага тормоза ножа и ограничителя запуска (LC 551VBP)

Рычаг тормоза ножа останавливает только сам нож и не останавливает двигатель. При отпускании рычага тормоза ножа нож останавливается.

1. Запустите двигатель.
2. Прижмите рычаг тормоза ножа к рукоятке изделия. Ограничитель запуска останавливает движение.
3. Поверните ограничитель запуска в направлении, указанном стрелкой.
4. Прижмите рычаг тормоза ножа к рукоятке изделия. Нож начнет вращаться.
5. Отпустите рычаг тормоза ножа. Если нож не останавливается через 3 секунды, обратитесь в авторизованный сервисный центр Husqvarna для регулировки тормоза ножа. (Рис. 29)
6. Убедитесь, что ограничитель запуска возвращается в исходное положение.

Глушитель

Глушитель предназначен для максимального снижения уровня шума и отвода выхлопных газов в сторону от оператора.

Запрещается использовать изделие, если глушитель поврежден или отсутствует. Повреждение глушителя приводит к увеличению уровня шума и риску возгорания.



ПРЕДУПРЕЖДЕНИЕ:

Глушитель значительно нагревается во время эксплуатации и сразу после остановки, а также во время работы двигателя на холостых оборотах. Во избежание возгорания соблюдайте

Проверка глушителя

- Регулярно осматривайте глушитель и проверяйте, что он правильно закреплен и не поврежден.

Правила безопасного обращения с топливом



ПРЕДУПРЕЖДЕНИЕ: В обязательном порядке прочитайте следующие инструкции по технике безопасности, прежде чем приступить к эксплуатации изделия.

- Запрещается запускать изделие, если на него попало топливо или моторное масло. Удалите постороннее топливо/масло и дайте изделию высохнуть.
- Если топливо попало на одежду, немедленно смените ее.
- Не допускайте попадания топлива на тело, это может причинить вред здоровью. При попадании топлива на тело смойте его водой с мылом.
- Запрещается запускать изделие при наличии утечки из двигателя. Регулярно проверяйте двигатель на наличие утечек.
- Соблюдайте осторожность при обращении с топливом. Топливо является легко воспламеняющейся жидкостью со взрывоопасными парами и может привести к серьезным или смертельным травмам.
- Запрещается вдыхать пары топлива, т. к. это может причинить вред здоровью. Убедитесь в наличии достаточного потока воздуха.
- Запрещается курить вблизи топлива или двигателя.
- Запрещается ставить теплые предметы рядом с топливом или двигателем.
- Запрещается доливать топливо при работающем двигателе.
- Прежде чем заправить изделие, убедитесь, что двигатель полностью остыл.
- Перед заправкой топлива медленно откройте крышку топливного бака и осторожно сбросьте давление.
- Запрещается заливать топливо в двигатель в помещении. Недостаточная вентиляция может привести к травме или смерти в результате удушья или отравления угарным газом.
- Плотно затяните крышку топливного бака. Если крышка топливного бака не затянута, возникает риск пожара.

- Переместите изделие минимум на 3 м / 10 футов от места заправки топливом, прежде чем запустить его.
- Никогда не заправляйте топливный бак полностью. Тепло приводит к расширению топлива. Оставьте место в верхней части топливного бака.
- Надевайте защитные перчатки при техобслуживании режущего оборудования. Нож очень острый, что при неосторожном обращении может легко привести к порезам.
- Использование принадлежностей или внесение изменений в конструкцию изделия, не одобренных производителем, может привести к серьезным или смертельным травмам. Запрещается вносить изменения в конструкцию изделия. Пользуйтесь только рекомендованными производителем принадлежностями.

Инструкции по технике безопасности во время технического обслуживания



ПРЕДУПРЕЖДЕНИЕ: В обязательном порядке прочитайте следующие инструкции по технике безопасности, прежде чем приступать к эксплуатации изделия.

- Выхлопные газы из двигателя содержат окись углерода — не имеющий запаха, токсичный и чрезвычайно опасный газ. Запрещается запускать двигатель в помещении или в замкнутых пространствах.
- Прежде чем приступить к техобслуживанию изделия, остановите двигатель и отсоедините кабель от свечи зажигания.
- При несоблюдении правил и сроков выполнения техобслуживания риск получения травмы или повреждения изделия возрастает.
- Выполняйте техобслуживание строго в соответствии с инструкциями, приведенными в руководстве по эксплуатации. Все прочие виды сервисного обслуживания должны проводиться в авторизованном сервисном центре Husqvarna.
- Регулярно обращайтесь в авторизованный сервисный центр Husqvarna для проведения техобслуживания изделия.
- Замените поврежденные, сломанные или изношенные детали.

Сборка

Введение



ПРЕДУПРЕЖДЕНИЕ: Перед сборкой изделия ознакомьтесь с разделом, посвященным безопасности, и усвойте его содержание.



ПРЕДУПРЕЖДЕНИЕ: Перед сборкой изделия снимите со свечи зажигания провод свечи зажигания.

Сборка рукоятки

1. Ослабьте нижние регуляторы с левой и правой стороны изделия. Убедитесь, что пластиковая шайба находится в углублении в кронштейне рукоятки. (Рис. 30)
2. Установите рукоятку в сложенном вперед положении, как показано на рисунке. (Рис. 31)
 - а) Убедитесь, что пластиковая шайба находится между рукояткой и кронштейном рукоятки.
 - б) Закрепите рукоятку на кронштейне рукоятки.
3. Поднимите рукоятку. (Рис. 32)
4. Полностью затяните регуляторы. Процедура регулировки высоты рукоятки описана в разделе *Регулировка высоты рукоятки на стр. 297.*

5. Поместите провода в кабельные кронштейны. Убедитесь, что провода не перекручены. Закрепите кабельные кронштейны на рукоятке. (Рис. 33)
6. С помощью кабельной стяжки закрепите кабели на кронштейне рукоятки. (Рис. 34)

Регулировка высоты рукоятки

1. Ослабьте нижние ручки.
2. Переместите ручки в нижние положения в пазах с левой и правой стороны изделия. (Рис. 35)
3. Установите рукоятку в 1 из 2 доступных положений по высоте.
4. Сдвиньте ручки вверх в направлении рукоятки до упора. Вы должны услышать щелчок. (Рис. 36)
5. Надежно затяните ручки.

Установка изделия в положение для транспортировки

1. Снимите травосборник.
2. Ослабьте нижние ручки.
3. Переместите ручки в нижние положения в пазах с левой и правой стороны изделия. (Рис. 35)
4. Сложите рукоятку вперед. (Рис. 37)

Установка изделия в рабочее положение

1. Поднимите рукоятку. (Рис. 32)
2. Сдвиньте ручки вверх в направлении рукоятки до упора. Вы должны услышать щелчок. (Рис. 36)
3. Надежно затяните ручки.

Установка травосборника

1. Установите раму травосборника на мешок травосборника таким образом, чтобы жесткая часть мешка оказалась внизу. Ручка рамы должна располагаться поверх мешка. (Рис. 38)
2. Установите нижнюю часть рамы травосборника в нижней части мешка травосборника. (Рис. 39)
 - а) Вставьте раму травосборника в канавку. Начните с правой стороны, как показано на рисунке, постепенно перемещаясь влево.
3. Если рама травосборника вставляется с трудом, слегка постучите по раме резиновым молотком. Ударяйте по раме травосборника между усилительными элементами. (Рис. 40)
4. Закрепите мешок на раме травосборника зажимами. (Рис. 41)
5. Поднимите заднюю крышку.
6. Установите травосборник на верхний край шасси.

7. Поместите нижнюю часть травосборника в канал для выброса травы. (Рис. 42)

Установка пробки для мульчирования (принадлежность)

1. Поднимите заднюю крышку и снимите травосборник.
2. Вставьте пробку для мульчирования в канал для выброса травы. (Рис. 43)
3. Замените нож ножом для мульчирования, поставляемым в составе комплекта для мульчирования. См. раздел *Замена ножа на стр. 301*.

Стрижка травы без установленного травосборника или пробки для мульчирования

- Поднимите заднюю крышку и снимите травосборник.
- Снимите установленные пробку и нож для мульчирования.
- Прежде чем включить агрегат, закройте заднюю крышку.

Во время работы агрегата срезанная трава выбрасывается под заднюю крышку.

Эксплуатация

Введение



ПРЕДУПРЕЖДЕНИЕ: Перед эксплуатацией прибора необходимо внимательно изучить раздел безопасности.

Husqvarna Connect

Husqvarna Connect представляет собой бесплатное приложение для мобильного устройства. Приложение Husqvarna Connect позволяет пользоваться расширенными функциями вашего изделия Husqvarna:

- Дополнительная информация об изделии.
- Сведения о деталях и помощь в техническом обслуживании.

Как начать использовать Husqvarna Connect

1. Загрузите приложение Husqvarna Connect на свое мобильное устройство.
2. Зарегистрируйтесь в приложении Husqvarna Connect.

3. Выполните пошаговые инструкции в приложении Husqvarna Connect для подключения и регистрации изделия.

Перед началом эксплуатации изделия

1. Внимательно прочитайте руководство по эксплуатации и убедитесь, что понимаете приведенные здесь инструкции.
2. Осмотрите режущее оборудование и убедитесь, что оно правильно закреплено и отрегулировано. См. раздел *Проверка режущего оборудования на стр. 301*.
3. Заполните топливный бак. См. раздел *Заправка топливом на стр. 298*.
4. Заполните масляный бак и проверьте уровень масла. См. раздел *Проверка уровня масла на стр. 301*.

Заправка топливом

По возможности пользуйтесь экологическим/алкилатным бензином. При невозможности использовать экологический/алкилатный бензин используйте качественный неэтилированный или этилированный бензин с октановым числом не ниже 90.



ВНИМАНИЕ: Не используйте бензин с октановым числом меньше 90 RON (87 АК). Это может привести к повреждению изделия.

1. Медленно откройте крышку топливного бака, чтобы сбавить давление.
2. Медленно залейте топливо из канистры. Если вы пролили топливо, протрите его тряпкой и дайте оставшемуся топливу высохнуть. (Рис. 44)
3. Очистите поверхность вокруг крышки топливного бака.
4. Плотно затяните крышку топливного бака. Если крышка топливного бака не затянута, возникает риск пожара.
5. Переместите изделие минимум на 3 м (10 футов) от места заправки топливом, прежде чем запустить его.

Регулировка высоты стрижки

Высоту стрижки возможно установить на 6 разных уровнях.

1. Прижмите рычаг регулировки высоты стрижки к колесу, а затем отведите его назад для увеличения высоты стрижки.
2. Прижмите рычаг регулировки высоты стрижки к колесу, а затем отведите его вперед для уменьшения высоты стрижки. (Рис. 45)



ВНИМАНИЕ: Не устанавливайте высоту стрижки слишком низко. Ножи могут удариться о землю, если поверхность газона неровная.

Запуск изделия (LC 551VQ)

1. Убедитесь, что кабель зажигания подсоединен к свече зажигания.
2. Встаньте позади изделия.
3. Прижмите рукоятку тормоза двигателя к рукоятке. (Рис. 46)
4. Держите ручку шнура стартера правой рукой.
5. Медленно вытягивайте шнур стартера, пока не почувствуете некоторое сопротивление.
6. Резко потяните, чтобы завести двигатель.

Запуск изделия (LC 551SP, LC 551VBP)

1. Убедитесь, что кабель подсоединен к свече зажигания.
2. Стойте сзади изделия.
3. Отрегулируйте положение рычага дросселя.
 - а) При холодном двигателе установите рычаг дросселя в закрытое положение. (Рис. 47)

- б) При прогревом двигателе устанавливать рычаг дросселя закрытое положение не требуется.
4. На модели LC 551SP прижмите рукоятку тормоза двигателя к рукоятке изделия. (Рис. 46)
 5. Держите ручку шнура стартера правой рукой.
 6. Медленно потяните за шнур стартера, пока не почувствуете некоторое сопротивление.
 7. Резко потяните трос, чтобы завести двигатель.
 8. Установите рычаг дросселя в положение полной мощности.
 9. На модели LC 551VBP:
 - а) Отпустите ограничитель запуска.
 - б) Прижмите рычаг тормоза ножа к рукоятке изделия, чтобы запустить ножи.

Использование привода колес

- Потяните петлю привода в направлении рукоятки. (Рис. 48)
- На модели LC 551VQ и модели LC 551VBP: Отрегулируйте скорость с помощью рычага регулировки скорости с левой стороны рукоятки. Переведите рычаг регулировки скорости вперед для увеличения скорости или назад — для ее уменьшения. (Рис. 49)
- Прежде чем потянуть изделие назад, отключите привод и толкните изделие вперед примерно на 10 см.
- Отпустите петлю привода, чтобы отключить привод, например, при приближении к препятствию.

Остановка изделия (LC 551SP, LC 551VQ)

- Для того чтобы остановить только привод, отпустите петлю привода.
- Для того чтобы остановить двигатель, отпустите рукоятку тормоза двигателя.

Остановка изделия (LC 551VBP)

- Чтобы остановить только привод, отпустите скобу привода.
- Чтобы остановить двигатель, переведите регулятор дроссельной заслонки в положение остановки.

Достижение оптимальных результатов

- Всегда пользуйтесь хорошо заточенным ножом. Затупившийся нож будет стричь траву неровно, и в месте среза трава будет желтеть. При использовании острого ножа также затрачивается меньше энергии, чем при работе с затупившимся ножом.

- Не срезайте более $\frac{1}{3}$ всей длины травы. Выполните первую стрижку на большей высоте. Проверьте полученный результат и уменьшите высоту стрижки до необходимого уровня. Если трава высокая, передвигайте газонокосилку медленно и, при необходимости, используйте газонокосилку 2 раза.
- Если вы хотите избежать образования полос на вашем газоне, следует каждый раз стричь его в разных направлениях.
- Следите за чистотой режущей деки. Скопление травы и грязи на внутренней стороне режущей деки может привести к ухудшению качества кошения. См. раздел *Очистка внутренней поверхности режущей деки на стр. 301*.

Техническое обслуживание

Вводная информация



ПРЕДУПРЕЖДЕНИЕ: Перед выполнением техобслуживания необходимо внимательно изучить и понять информацию в разделе по технике безопасности.

Для выполнения любых работ по сервисному обслуживанию и ремонту изделия необходимо пройти специальное обучение. Мы гарантируем доступность услуг по профессиональному ремонту и сервисному обслуживанию. Если ваш дилер не предоставляет услуги сервисного обслуживания, обратитесь к нему для получения информации о ближайшем сервисном центре.

Дополнительную информацию см. в разделе www.husqvarna.com.

График технического обслуживания



ВНИМАНИЕ: При наклоне изделия следите за тем, чтобы воздушный фильтр был сверху и не был обращен в сторону земли. Риск повреждения двигателя.

График технического обслуживания составлен исходя из ежедневного использования изделия. Если изделие не используется ежедневно, интервалы техобслуживания изменятся.

Сведения о техническом обслуживании, отмеченном знаком *, см. в инструкциях в разделе *Защитные устройства на изделии на стр. 295*.

Техническое обслуживание	Ежедневно	Еженедельно	Ежемесячно
Выполните общий осмотр	X		
Проверьте уровень масла	X		
Очистите изделие	X		
Проверьте режущее оборудование	X		
Проверьте кожух режущего оборудования*	X		
Проверьте рукоятку тормоза двигателя* LC 551SP, LC 551VQ	X		
Проверьте рычаг тормоза ножа* LC 551VBP	X		
Проверьте глушитель*		X	
Проверьте свечу зажигания		X	
Замените масло (первый раз через 5 часов использования, затем через каждые 50 часов использования и ежегодно)			X
Очистите или замените воздушный фильтр			X
Проверьте топливную систему			X

Выполнение общего осмотра

- Проверьте затяжку гаек и винтов на изделии.

Очистка изделия

- Очистите пластиковые детали чистой и сухой тканью.
- Не используйте воду для очистки изделия. Попадание воды в аккумулятор или двигатель может вызвать короткое замыкание или повредить изделие.
- Не используйте мойку высокого давления для очистки изделия.
- Запрещается лить воду непосредственно на двигатель.
- Используйте щетку для удаления листьев, травы и грязи.
- Снимите крышку сцепления и с помощью щетки удалите траву из-под крышки сцепления. (LC 551VBP)

Очистка внутренней поверхности режущей деки

1. Опорожните топливный бак.
2. Положите изделие на бок таким образом, чтобы сторона с глушителем была направлена вниз.



ВНИМАНИЕ: Если положить изделие так, что воздушный фильтр будет направлен вниз, можно повредить двигатель.

3. Промойте водой из шланга внутренние поверхности режущей деки.

Проверка режущего оборудования



ПРЕДУПРЕЖДЕНИЕ: Во избежание непреднамеренного запуска отсоедините кабель от свечи зажигания.



ПРЕДУПРЕЖДЕНИЕ: Надевайте защитные перчатки при техобслуживании режущего оборудования. Нож очень острый, что при неосторожном обращении может легко привести к порезам.

1. Проверьте режущее оборудование на наличие повреждений или трещин. Всегда заменяйте поврежденное режущее оборудование.
2. Осмотрите нож на наличие повреждений или следов притупления.

Примечание: После заточки ножа необходимо выполнить его балансировку. Обратитесь в сервисный центр для выполнения заточки, замены и балансировки ножа. При столкновении с

препятствием, которое привело в остановку изделия, замените поврежденный нож. Сервисный центр должен определить, следует ли заточить нож или лучше его заменить.

Замена ножа

1. Заблокируйте нож деревянным бруском. (Рис. 50)
2. Снимите болт ножа.
3. Снимите нож.
4. Проверьте держатель ножа и болт ножа на наличие повреждений.
5. Проверьте вал двигателя на наличие деформации.
6. При установке нового ножа находящиеся под углом края должны быть обращены в направлении кожуха режущего оборудования. (Рис. 51)
7. Убедитесь, что нож совмещен с центром вала двигателя.
8. Заблокируйте нож деревянным бруском. (Рис. 52)
9. Установите нож.
 - a) На моделях LC 551SP, LC 551VQ установите пружинную шайбу и затяните болт с шайбой моментом 70 Н·м.
 - b) На модели LC 551VBP затяните болты моментом 50 Н·м. (Рис. 53)
10. Проверните нож рукой и убедитесь, что он свободно вращается.



ПРЕДУПРЕЖДЕНИЕ:

Используйте прочные защитные перчатки. Нож очень острый и при неосторожном обращении может легко стать причиной травм.

11. Запустите изделие, чтобы проверить работу ножа. Если нож установлен неправильно, вы ощутите вибрацию изделия или результат кошения будет неудовлетворительным.

Проверка уровня масла



ВНИМАНИЕ: Слишком низкий уровень масла может привести к повреждениям двигателя. Проверьте уровень масла перед запуском изделия.

1. Расположите изделие на ровной поверхности.
2. Снимите крышку масляного бака вместе с щупом.
3. Очистите щуп от масла.
4. Полностью погрузите щуп в масляный бак. Затяните крышку масляного бака, получить достоверную информацию об уровне масла.
5. Извлеките щуп.
6. Проверьте уровень масла на щупе.

7. Если уровень масла низкий, долейте моторное масло и проверьте уровень масла еще раз.

(Рис. 54)

Примечание: Используйте воронку для предотвращения проливания.

Замена моторного масла



ПРЕДУПРЕЖДЕНИЕ: Сразу после остановки двигателя моторное масло очень горячее. Дайте двигателю остыть, прежде чем сливать моторное масло. При попадании моторного масла на кожу смойте его мылом и водой.

(Рис. 55)

1. Отсоедините провод от свечи зажигания.
2. Снимите крышку масляного бака.
3. Слейте моторное масло.
 - a) На моделях с пробкой слива масла: Поместите емкость под пробку слива масла для сбора моторного масла.
 - b) На моделях без пробки слива масла или в случае, когда поместить емкость под изделие невозможно: С помощью масляного насоса (дополнительное оборудование) слейте моторное масло из масляного бака.
4. Заправьте бак новым моторным маслом; используйте тип масла, рекомендованный в разделе *Технические данные* на стр. 303.
5. Проверьте уровень моторного масла. См. раздел *Проверка уровня масла* на стр. 301.

Заправка и замена моторного масла

- Информацию о заправке и замене моторного масла см. в руководстве по эксплуатации двигателя.

Очистка и замена воздушного фильтра (LC 5551SP, LC 551VBP)

- Информацию об очистке и замене воздушного фильтра см. в руководстве по эксплуатации двигателя.

Снятие и установка воздушного фильтра (LC 551VQ)



ПРЕДУПРЕЖДЕНИЕ: Используйте защитные перчатки.

1. Нажмите на фиксаторы на крышке воздушного фильтра.

2. Осторожно снимите крышку воздушного фильтра (A) с двигателя.
3. Снимите воздушный фильтр (B) и поролоновый фильтр (C). (Рис. 56)
4. Проверьте воздушный фильтр на наличие повреждений. Замените поврежденный воздушный фильтр.
5. Очистите и проверьте воздушный фильтр. См. раздел *Очистка воздушного фильтра (LC 551VQ)* на стр. 302.
6. Установка выполняется в обратной последовательности.

Очистка воздушного фильтра (LC 551VQ)



ВНИМАНИЕ: Запрещается запускать двигатель без установленного воздушного фильтра или с грязным воздушным фильтром.



ВНИМАНИЕ: Если воздушный фильтр не получается полностью очистить или он поврежден, замените его. Неисправный воздушный фильтр приводит к повреждению двигателя.

1. Нажмите на фиксаторы (A), снимите крышку воздушного фильтра (B) и сам воздушный фильтр (C). (Рис. 57)
2. Постучите воздушным фильтром о твердую поверхность или продуйте его сжатым воздухом с чистой стороны.



ВНИМАНИЕ: Ни в коем случае не используйте для удаления грязи щетку, поскольку она проталкивает частицы грязи глубже в воздушный фильтр.

3. Очистите держатель воздушного фильтра (D) и крышку воздушного фильтра влажной тряпкой.



ВНИМАНИЕ: Следите за тем, чтобы в воздуховод (E) не попала грязь.

4. Установите воздушный фильтр. Убедитесь, что воздушный фильтр плотно посажен на место.
5. Установите крышку воздушного фильтра, начиная с нижних фиксаторов.

Проверка свечи зажигания



ВНИМАНИЕ: Всегда используйте только указанный тип свечи. Использование неправильного типа

свечи зажигания может привести к повреждению изделия.

- Проверьте свечу зажигания, если двигатель не набирает мощность, плохо заводится или плохо работает на холостых оборотах.
- Чтобы уменьшить риск появления нежелательного материала на электродах свечи зажигания, соблюдайте следующие инструкции:
 - а) Убедитесь в правильности регулировки частоты оборотов холостого хода.
 - б) Убедитесь, что используется надлежащая топливная смесь.
 - в) Убедитесь, что воздушный фильтр чист.
- Если свеча зажигания загрязнена, очистите ее и проверьте зазор между электродами, см. раздел *Технические данные на стр. 303*. (Рис. 58)
- При необходимости замените свечу зажигания.

Проверка топливной системы

- Проверьте крышку топливного бака и уплотнение крышки топливного бака на наличие повреждений.
- Проверьте топливный шланг на наличие утечек. Если топливный шланг поврежден, обратитесь в сервисный центр для его замены.

Регулировка рычага регулировки скорости и рычага дросселя

С помощью рычага регулировки скорости можно отрегулировать скорость движения. С помощью рычага дросселя можно отрегулировать частоту вращения двигателя.



ВНИМАНИЕ: Запрещается пытаться регулировать рычаг регулировки скорости при работающем двигателе.

1. Для регулировки скорости поверните регулировочный винт (А), тем самым отрегулировав длину оболочки троса. Уменьшите длину оболочки троса, чтобы увеличить скорость движения.
2. Если не удается достичь закрытого положения заслонки или положения остановки, отрегулируйте частоту вращения двигателя. Поверните регулировочный винт (В). (Рис. 59)

Транспортировка, хранение и утилизация

Транспортировка и хранение

- Перед помещением на хранение и транспортировкой изделия и топлива убедитесь в отсутствии утечек или испарения топлива. Искры или источники открытого огня, например, от электрических устройств или котлов, могут привести к пожару.
- Всегда используйте рекомендованные контейнеры для хранения и транспортировки топлива.
- Перед помещением изделия на длительное хранение опорожните топливный бак. Утилизируйте топливо в специально предназначенном для этого месте.
- Надежно закрепите изделие на время транспортировки для предотвращения повреждений или аварий.

- Храните изделие в запортом помещении для предотвращения доступа к изделию детей или посторонних лиц.
- Храните изделие в сухом и защищенном от низких температур месте.

Утилизация

- Соблюдайте местное законодательство и действующие нормы в области переработки.
- Утилизируйте все химические вещества, такие как моторное масло или топливо, в сервисном центре или в специально предназначенном для этого месте.
- Если изделие больше не эксплуатируется, отправьте его дилеру Husqvarna или утилизируйте в пункте переработки.

Технические данные

	LC 551SP	LC 551VBP	LC 551VQ
Двигатель			
Марка	Kawasaki	Kawasaki	Husqvarna
Модель	FJ180V	FJ180V	HS 166AP

	LC 551SP	LC 551VBP	LC 551VQ
Тип двигателя	Одноцилиндровый, 4-тактный, с принудительным воздушным охлаждением, OHV	Одноцилиндровый, 4-тактный, с принудительным воздушным охлаждением, OHV	Одноцилиндровый, 4-тактный, с принудительным воздушным охлаждением, OHV
Рабочий объем, см ³	179	179	166
Частота вращения, об/мин	2800	2800	2800
Номинальная мощность двигателя, кВт ¹⁰⁶	2,9	2,9	2,7
Система зажигания			
Свеча зажигания	NGK BPR5ES	NGK BPR5ES	Husqvarna HQT-7
Зазор между электродами, мм	0,6–0,8	0,6–0,8	0,7–0,8
Топливная система и система смазки			
Тип смазки двигателя	Под давлением, с масляным фильтром	Под давлением, с масляным фильтром	Разбрызгивание
Емкость топливного бака, л	1,9	1,9	1,5
Емкость масляного бака, л	0,7	0,7	0,5
Моторное масло ¹⁰⁷	Husqvarna SAE 30	Husqvarna SAE 30	Husqvarna SAE 30
Вес			
С пустыми баками, кг	48,5	52,5	51,0
Излучение шума ¹⁰⁸			
Уровень мощности звука, измеренный, дБ(A)	97	96	97
Уровень мощности звука, гарантированный, L _{WA} , дБ(A)	98	98	98
Уровни шума ¹⁰⁹			
Уровень звукового давления на уши оператора, дБ(A)	87	84	86
Уровни вибрации ¹¹⁰			

¹⁰⁶ Указанная номинальная мощность двигателя — это средняя полезная мощность типичного серийного двигателя при указанной частоте вращения (об/мин) для определенной модели двигателя, измеренная в соответствии со стандартом SAE J1349/ISO1585. Показатели двигателей массового производства могут отличаться от этого значения. Фактическая выходная мощность двигателя, установленного на определенном изделии, зависит от рабочей скорости, условий окружающей среды и других параметров.

¹⁰⁷ Если при температуре ниже +5 °C используется масло SAE-30, существует риск того, что смазка двигателя будет недостаточной. Это может привести к повреждению двигателя. См. раздел *Замена моторного масла* на стр. 302, где приведена информация о подходящем масле для использования при низких температурах.

¹⁰⁸ Излучение шума в окружающую среду измеряется как мощность звука (L_{WA}) согласно директиве ЕС 2000/14/ЕС.

¹⁰⁹ Уровень шумового давления в соответствии с ISO 5395. Указанные данные об уровне шумового давления имеют типичный статистический разброс (стандартное отклонение) 1,2 дБ(A).

¹¹⁰ Уровень вибрации в соответствии с ISO 5395. Указанные данные об уровне вибрации имеют типичный статистический разброс (стандартное отклонение) 0,2 м/с².

	LC 551SP	LC 551VBP	LC 551VQ
На рукоятке, м/с ²	4,5	4,5	3,2
Режущее оборудование			
Высота кошения, мм	26–74	26–74	26–74
Ширина кошения, мм	510	510	510
Нож	Collect	Collect	Collect
Артикул	5875908-10	5821494-10	5875908-10
Емкость травосборника, л	65	65	65
Привод			
Скорость, км/ч	4,1	2,8–5	2,8–5

Декларация о соответствии

Декларация соответствия требованиям ЕС

Мы, компания **Husqvarna AB**, SE-561 82
Husqvarna, Швеция, тел.: +46-36-146500, с полной
ответственностью заявляем, что изделие:

Описание	Газонокосилка
Марка	Husqvarna
Тип / Модель	LC 551SP, LC 551VBP, LC 551VQ
Идентификация	Серийные номера начиная с 2022 года и далее

полностью соответствует следующим директивам и
нормативам ЕС:

Норматив	Описание
2006/42/EC	"О механическом оборудовании"
2014/30/EU	"Об электромагнитной совместимости"
2000/14/EC	"Об излучении шума в окружающую среду"
2011/65/EU	"Об ограничении использования определенных опасных веществ в электрическом и электронном оборудовании"

а также требованиям следующих стандартов и/или
технических регламентов: EN ISO 5395-1:2013/
A1:2018, EN ISO 5395-2:2013/A1:2016/A2:2017, EN
ISO 14982:2009, EN IEC 63000:2018

141400, Московская обл., Г. Химки, ул. Ленинградская,
владение 39, строение 6, здание II этаж 4,
помещение OB02_04,
телефон горячей линии 8-800-200-1689

Уполномоченная организация: 0404, RISE SMP
Svensk Maskinprovning AB, Box 4053, SE-904
03 Umeå, Sweden подтвердила соответствие
Директиве Совета ЕС 2000/14/EC, процедура оценки
соответствия: Приложение VI.

Информацию по излучению шума см. в разделе
Технические данные на стр. 303.

Husqvarna, 2022-09-29



Клаес Лосдал (Claes Losdal), директор отдела
разработок/садовая техника, Husqvarna AB

Ответственный за техническую документацию



Obsah

Úvod.....	307	Údržba.....	314
Bezpečnosť.....	308	Preprava, skladovanie a likvidácia.....	317
Montáž.....	311	Technické údaje.....	317
Prevádzka.....	312	Vyhľadanie o zhode.....	319

Úvod

Popis výrobku

Tento výrobok je rotačná kosačka na trávu s chodiacou obsluhou. Tráva sa zhromažďuje do zberného koša. Na vyprázdnenie trávy zo zadnej časti odstráňte zberný kôš. Ak chcete trávu nasekať a použiť ako hnojivo, použite mulčovací súpravu (príslušenstvo).

Prehľad výrobku

(Obr. 1)

1. Rukoväť motorovej brzdy
2. Držadlo/rukoväť
3. Regulátor rýchlosti
4. Páka pohonu
5. Držadlo štartovacieho lanka
6. Zberný kôš
7. Nastavenie výšky rukoväte
8. Ovládač výšky rezu

Prehľad výrobku

(Obr. 2)

1. Držadlo/rukoväť
2. Ovládanie brzdy noža (LC 551VBP)
3. Regulácia rýchlosti/ovládanie plynu (LC 551VBP)
4. Páka pohonu (LC 551VBP)
5. Poistka naštartovania (LC 551VBP)
6. Držadlo štartovacieho lanka
7. Zberný kôš
8. Nastavenie výšky rukoväte
9. Ovládač výšky rezu
10. Olejová mierka/nádrž na olej
11. Kryt rezacej časti
12. Tlmič výfuku
13. Zapalovacia sviečka
14. Vzduchový filter
15. Palivová nádrž
16. Zadný kryt
17. Rukoväť motorovej brzdy (LC 551SP)
18. Ovládanie plynu (LC 551SP)
19. Páka pohonu (LC 551SP)
20. Návod na obsluhu

Plánované použitie

Produkt používajte na kosenie trávy. Výrobok nepoužívajte na iné účely.

9. Olejová mierka/nádrž na olej
10. Kryt rezacej časti
11. Tlmič výfuku
12. Zapalovacia sviečka
13. Vzduchový filter
14. Palivová nádrž
15. Zadný kryt
16. Návod na obsluhu

Symbody na výrobku

- (Obr. 3) Neopatrné alebo nesprávne používanie môže spôsobiť zranenie alebo smrtenie obsluhy alebo okolostojacich osôb.
- (Obr. 4) Skôr než začnete produkt používať, pozorne si prečítajte návod na obsluhu a dôsledne sa oboznámte s pokynmi.
- (Obr. 5) Dbajte na to, aby osoby a zvieratá nevstupovali do pracovnej oblasti.
- (Obr. 6) Pred vykonávaním opráv a údržby vypnite motor a odpojte kábel zapalovania.
- (Obr. 7) Olej
- (Obr. 8) Rýchlo
- (Obr. 9) Pomaly
- (Obr. 10) Vypnutie motora
- (Obr. 11) Sýtič

- (Obr. 12) Spojka rezného kotúča
- (Obr. 13) Dávajte pozor na vymrštené predmety a spätné nárazy.
- (Obr. 14) Udržiavajte ruky a chodidlá mimo dosahu rotujúceho noža.
- (Obr. 15) Udržiavajte ruky a chodidlá mimo dosahu rotujúcich častí.
- (Obr. 16) Tento výrobok je v súlade s príslušnými smernicami EÚ.
- (Obr. 17) Tento výrobok je v súlade s príslušnými právnymi predpismi Spojeného kráľovstva.
- (Obr. 18) Označenie týkajúce sa emisie hluku do okolia podľa smerníc a nariadení EÚ a UK a legislatívy v štáte New South Wales „Protection of the Environment Operations (Noise Control) Regulation 2017“ (Nariadenie o ochrane životného prostredia pri prevádzke (kontrola hluku) z roku 2017). Garantovaná hladina akustického výkonu produktu je uvedená v *Technické údaje na strane 317* a na štítku
- (Obr. 19) Výfukové plyny z motora obsahujú oxid uhoľnatý, plyn bez zápachu, ktorý je jedovatý a veľmi nebezpečný. Produkt neštartujte v interiéri ani v uzavretých priestoroch.
- (Obr. 20) Produkt neštartujte v interiéri ani v uzavretých priestoroch.
- (Obr. 21) Nebezpečenstvo výbuchu.

- (Obr. 22) Horúci povrch
- (Obr. 23) Motor sa dodáva bez oleja.
- (Obr. 24) Pred používaním výrobku doplňte olej.
- (Obr. 25) Nepoužívajte palivovo E85.
- (Obr. 26) Výrobok uchovávajte mimo otvoreného ohňa.
- (Obr. 27) Snímateľný kód.

Poznámka: Ďalšie symboly/štítky na výrobku odkazujú na právne požiadavky pre konkrétny trh.

Emisie Euro V



VÝSTRAHA: Nepovolená manipulácia s motorom ruší platnosť typového schválenia tohto výrobku pre EÚ.

Zodpovednosť za výrobok

V súlade s právnymi predpismi upravujúcimi zodpovednosť za výrobok nenesieme zodpovednosť za škody spôsobené našim výrobkom v dôsledku:

- nesprávne vykonanej opravy výrobku,
- opravy výrobku, pri ktorej neboli použité diely od výrobcu alebo diely schválené výrobcom,
- používania príslušenstva od iného výrobcu alebo príslušenstva, ktoré nie je schválené výrobcom,
- opravy výrobku, ktoré neboli vykonané v schválenom servisnom stredisku alebo schválenými kompetentnými osobami.

Bezpečnosť

Bezpečnostné definície

Výstrahy, upozornenia a poznámky slúžia na zdôraznenie mimoriadne dôležitých častí návodu.



VÝSTRAHA: Používa sa, ak pre obsluhu alebo osoby v okolí existuje nebezpečenstvo poranenia alebo smrti v prípade nedodržania pokynov v návode.



VAROVANIE: Používa sa, ak hrozí nebezpečenstvo poškodenia produktu, iných materiálov alebo okolitej oblasti v prípade nedodržania pokynov v návode.

Poznámka: Používa sa na poskytnutie informácií nad rámec nevyhnutných informácií v danej situácii.

Všeobecné bezpečnostné pokyny



VÝSTRAHA: Skôr než budete výrobok používať, prečítajte si nasledujúce výstrahy.

- Tento výrobok je nebezpečný, ak sa nepoužíva správne alebo ak nie ste pri jeho používaní opatrní. V prípade nedodržania bezpečnostných pokynov hrozí poranenie alebo usmrtenie.
- Tento výrobok vytvára počas prevádzky elektromagnetické pole. Toto pole môže za určitých

okolností spôsobovať rušenie aktívnych alebo pasívnych implantovaných lekárskeho prístrojov. Na zníženie rizika vážneho alebo smrteľného zranenia odporúčame, aby sa osoby s implantovanými lekárskeho prístrojmi poradili so svojim lekárom a výrobcom pomôcky ešte pred použitím tohto výrobku.

- Vždy zachovávajúte opatrnosť a riadte sa zdravým úsudkom. Ak si v určitých situáciách nie ste istí, ako máte výrobok používať, výrobok nepoužívajte a pred pokračovaním v práci sa poraďte s predajcom spoločnosti Husqvarna.
- Myslite na to, že operátor bude zodpovedný za nehody zahŕňajúce iné osoby alebo ich majetok.
- Výrobok udržiavajte čistý. Uistite sa, že sú symboly a emblémy čitateľné.
- Nedovoľte, aby výrobok používali iné osoby, pokiaľ sa neustíte, že si prečítali tento návod na obsluhu a porozumeli jeho obsahu.
- Nedovoľte, aby výrobok používali deti.
- Deti držte v bezpečnej vzdialenosti od pracovnej oblasti. Vyžaduje sa neustála prítomnosť zodpovednej dospeléj osoby.
- Nedovoľte, aby výrobok používali osoby, ktoré nepoznajú potrebné pokyny.
- Osoby so zníženými fyzickými alebo duševnými schopnosťami musia byť počas používania výrobku vždy pod dozorom. Vyžaduje sa neustála prítomnosť zodpovednej dospeléj osoby.
- Výrobok nepoužívajte, ak ste unavení, chorí alebo ste pod vplyvom alkoholu, drog alebo liekov. Vyššie uvedené prípady majú negatívny vplyv na váš zrak, ostražitosť, koordináciu a úsudok.
- Výrobok nepoužívajte, ak je poškodený.
- Výrobok žiadnym spôsobom neupravujte ani nepoužívajte, ak existuje možnosť, že bol upravený inými osobami.
- Nemeňte nastavenie regulácie otáčok motora.

Bezpečnosť na pracovisku



VÝSTRAHA: Skôr než budete používať produkt, prečítajte si nasledujúce výstrahy.

- Pred používaním výrobku odstráňte z pracovnej oblasti všetky predmety, ako sú napr. konáre, vetvy a kamene.
- Predmety, ktoré narazia na rezné zariadenie, môžu byť vymrštené a spôsobiť poranenie osôb alebo poškodenie iných predmetov. Dávajte pozor, aby okolo stojace osoby a zvieratá nevstupovali do pracovnej oblasti.
- Výrobok nikdy nepoužívajte počas nepriaznivých poveternostných podmienok, napríklad v hmle, v daždi, v silnom vetre, v silnom mraze, pri vysokom riziku búrkania. Používanie výrobku počas nepriaznivých poveternostných podmienok alebo na vlhkých alebo mokrych miestach je namáhavé.

Nepriaznivé poveternostné podmienky môžu mať za následok vznik nebezpečných podmienok, akými sú napr. klzké povrchy.

- Dávajte pozor na osoby, predmety a situácie, ktoré môžu zamedziť bezpečnej prevádzke výrobku.
- Dávajte pozor na prekážky, ako sú napr. korene, kamene, halúzky, jamy a priekopy. Vysoká tráva môže zakrývať prekážky.
- Kosenie trávy na svahoch môže byť nebezpečné. Výrobok nepoužívajte na svahoch so sklonom viac ako 15 °.
- S výrobkom sa pohybujte po vrstevnici. Nepohybujte sa smerom do svahu a zo svahu.
- V blízkosti skrytých rohov a objektov, ktoré vám bránia vo výhlade, sa pohybujte opatrne.

Bezpečnosť pri práci



VÝSTRAHA: Skôr než budete výrobok používať, prečítajte si nasledujúce výstrahy.

- Tento výrobok používajte len na kosenie trávy. Výrobok sa nesmie používať na iné úlohy.
- Používajte osobné ochranné pomôcky. Pozrite si časť *Osobné ochranné prostriedky na strane 310*.
- Naučte sa, ako v prípade núdze rýchlo zastaviť motor.
- Nikdy neštartujte motor v uzavretých priestoroch alebo v blízkosti horľavého materiálu. Výfukové plyny z motora sú horúce a môžu obsahovať iskry, ktoré môžu vyvolať požiar.
- Výrobok nepoužívajte, pokiaľ nie sú nôž a všetky kryty správne upevnené. Nesprávne pripojený nôž sa môže uvoľniť a spôsobiť poranenia osôb.
- Uistite sa, že nôž nenarazí na predmety, ako sú napr. kamene alebo korene. Môže dôjsť k poškodeniu noža a ohnutiú hriadeľa motora. Ohnutá náprava spôsobuje silné vibrácie a vzniká veľké nebezpečenstvo uvoľnenia noža.
- Ak nôž narazí na predmet alebo ak cítite vibrácie, výrobok okamžite vypnite. Odpojte kábel zapalovania od zapalovacej sviečky. Skontrolujte, či nie je výrobok poškodený. Opravte akékoľvek poškodenie alebo kontaktujte servisného zástupcu.
- Keď je naštartovaný motor, rukoväť motorovej brzdy nesmie byť nikdy trvalo pripojená k rukoväti.
- Položte výrobok na stabilný, rovný povrch a naštartujte ho. Uistite sa, že sa nôž nedostane do kontaktu so zemou alebo inými predmetmi.
- Pri obsluhu vždy stojte za výrobkom.
- Pri obsluhu výrobku dávajte pozor, aby všetky kolesá dosadali na zem a rukoväť držte oboma rukami. Udržiavajte ruky a chodidlá mimo dosahu rotujúcich nožov.
- Keď je motor spustený, výrobok nenakláňajte.
- Pri ťahaní výrobku smerom dozadu buďte opatrní.

- Výrobok nikdy nedvíhajte, keď je spustený motor. Ak musíte výrobok zdvihnúť, najprv vypnite motor a odpojte kábel zapalovania od zapalovacej sviečky.
- Počas obsluhy výrobku necúvajte.
- Pri prechádzaní cez oblasti bez trávy, ako sú napr. štrkové, kamenné a asfaltové chodníky, vypnite motor.
- Keď je zapnutý motor, s výrobkom neutekajte. Počas obsluhy výrobku vždy kráčajte.
- Pred zmenou výšky rezu zastavte motor. Nikdy nevykonávajte nastavenia so spusteným motorom.
- Nikdy nenechávajte výrobok bez dozoru, keď je zapnutý motor. Zastavte motor a uistite sa, že sa rezné zariadenie neotáča.

Kontrola rukoväti motorovej brzdy (LC 551SP, LC 551VQ)

Rukoväť motorovej brzdy slúži na zastavenie motora. Keď rukoväť motorovej brzdy uvoľníte, motor sa zastaví.

- Naštartujte motor a potom uvoľníte rukoväť motorovej brzdy. Ak sa motor v priebehu 3 sekúnd nezastaví, požiadajte servisného zástupcu spoločnosti Husqvarna o nastavenie motorovej brzdy. (Obr. 28)

Kontrola ovládania brzdy noža a poistky naštartovania (LC 551VBP)

Ovládanie brzdy noža zastaví len nôž, nie motor. Keď ovládanie brzdy noža uvoľníte, nôž sa zastaví.

1. Naštartujte motor.
2. Potlačte ovládanie brzdy noža smerom k rukoväti. Poistka naštartovania zastaví pohyb.
3. Zatláčte poistku naštartovania smerom von.
4. Potlačte ovládanie brzdy noža smerom k rukoväti. Nôž sa začne otáčať.
5. Uvoľníte ovládanie brzdy noža. Ak sa nôž v priebehu 3 sekúnd nezastaví, požiadajte servisného zástupcu spoločnosti Husqvarna o nastavenie brzdy noža. (Obr. 29)
6. Uistite sa, že sa poistka naštartovania vrátila späť do pôvodnej polohy.

Tlmič výfuku

Tlmič výfuku slúži na udržiavanie minimálnej hladiny hluku a na smerovanie výfukových plynov smerom od operátora.

Nepoužívajte produkt, ak tlmič výfuku chýba alebo je poškodený. Poškodený tlmič výfuku zvyšuje hladinu hluku a riziko požiaru.

Bezpečnostné pokyny pre prevádzku

Osobné ochranné prostriedky



VÝSTRAHA: Skôr než budete výrobok používať, prečítajte si nasledujúce výstrahy.

- Osobné ochranné prostriedky nedokážu úplne vylúčiť riziko, ale môžu znížiť vážnosť zranenia v prípade nehody. Váš predajca vám pomôže pri výbere správnych prostriedkov.
- Ak hladina hluku je vyššia ako 85 dB, používajte chrániče sluchu.
- Noste odolné protišmykové topánky. Výrobok neobsluhujte v otvorených topánkach ani s bosými nohami.
- Noste dlhé odolné nohavice.
- Keď je to potrebné, používajte ochranné rukavice, ako napríklad pri montáži, kontrole alebo čistení rezného zariadenia.

Bezpečnostné zariadenia na výrobku



VÝSTRAHA: Skôr než budete výrobok používať, prečítajte si nasledujúce výstrahy.

- Výrobok nepoužívajte s bezpečnostnými zariadeniami, ktoré sú poškodené alebo nefungujú správne.
- Pravidelne kontrolujte bezpečnostné zariadenia. Ak sú bezpečnostné zariadenia poškodené alebo nefungujú správne, obráťte sa na servisného zástupcu Husqvarna.
- Bezpečnostné zariadenia neupravujte.

Kontrola krytu rezacej časti

Kryt rezacej časti tlmi vibrácie vo výrobku a znižuje riziko poranenia kotúčom.

- Skontrolujte kryt rezacej časti, aby ste sa uistili, že na ňom nie sú žiadne známky poškodenia, ako sú napr. praskliny.



VÝSTRAHA: Tlmič výfuku je veľmi horúci počas prevádzky, po nej a tiež počas behu motora na voľnobeh. Zachovávajte opatnosť v okolí horľavých materiálov alebo výparov, aby ste nespôsobili požiar.

Kontrola tlmiča výfuku

- Pravidelne kontrolujte, či je tlmič výfuku správne pripravený a či nie je poškodený.

Bezpečnosť paliva



VÝSTRAHA: Skôr než budete používať produkt, prečítajte si nasledujúce výstrahy.

- Výrobok neštartujte, ak sú na ňom zvyšky paliva alebo motorového oleja. Odstráňte neželané palivo/olej a nechajte výrobok vyschnúť.
- Ak vylejete palivo na odev, okamžite sa prelečte.

- Dávajte pozor, aby ste si palivo nevyliali na telo, pretože môže spôsobiť poranenie. Ak si palivo vylejete na telo, umyte sa pomocou mydla vody.
- Výrobok neštartujte, ak sa na motore vyskytuje netesnosť. Pravidelne kontrolujte výskyt netesnosti na motore.
- Pri manipulácii s palivom zachovajte opatrnosť. Palivo je horľavá látka a výpary z paliva sú výbušné a môžu spôsobiť poranenia alebo smrť.
- Vyhnite sa vdychovaniu výparov paliva, pretože môžu spôsobiť poranenie. Zabezpečte dostatočné prúdenie vzduchu.
- V blízkosti paliva alebo motora nefajčíte.
- Neukladajte do blízkosti paliva alebo motora teplé predmety.
- Nedopĺňajte palivo, keď je zapnutý motor.
- Pred doplnením paliva sa uistite, že motor vychladol.
- Pred doplnením paliva pomaly otvorte veko palivovej nádrže a opatrne uvoľnite tlak.
- Palivo do motora nedopĺňajte v interiéri. Nedostatočné prúdenie vzduchu môže spôsobiť poranenie alebo smrť v dôsledku udusenía alebo otravy oxidom uhoľnatým.
- Veko palivovej nádrže pevne utiahnite. Ak nie je veko palivovej nádrže pevne utiahnuté, existuje riziko vzniku požiaru.
- Pred naštartovaním premiestnite výrobok minimálne 3 m od miesta, kde ste dopĺňali palivo do nádrže.
- Palivovú nádrž nedopĺňajte úplne doplna. Teplo spôsobuje expanziu paliva. Uchovajte miesto navrchu palivovej nádrže.

Bezpečnostné pokyny pre údržbu



VÝSTRAHA: Skôr než budete používať produkt, prečítajte si nasledujúce výstrahy.

- Výfukové plyny z motora obsahujú oxid uhoľnatý, plyn bez zápachu, ktorý je jedovatý a veľmi nebezpečný. Motor neštartujte v interiéri ani v uzavretých priestoroch.
- Pred vykonávaním údržby výrobku zastavte motor a odpojte kábel zapalovania od zapalovacej sviečky.
- Pri vykonávaní údržby rezného zariadenia používajte ochranné rukavice. Čepel je veľmi ostrá a ľahko môže dôjsť k porezaniu.
- Príslušenstvo a úprava výrobku, ktoré neschválil výrobca, môžu spôsobiť vážne poranenia alebo smrť. Výrobok neupravujte. Vždy používajte príslušenstvo schválené výrobcom.
- Nepravidelná a nesprávne vykonaná údržba zvyšuje nebezpečenstvo poranenia a poškodenia výrobku.
- Vykonávajte len údržbu uvedenú v tomto návode na používanie. Všetky ostatné práce týkajúce sa údržby musí vykonávať schválený servisný zástupca spoločnosti Husqvarna.
- Výrobok nechajte pravidelne kontrolovať kvôli údržbe u schváleného servisného zástupcu spoločnosti Husqvarna.
- Vymeňte všetky poškodené, opotrebované alebo zlomené diely.

Montáž

Úvod



VÝSTRAHA: Pred zostavením výrobku si musíte prečítať kapitolu o bezpečnosti a porozumiť informáciám, ktoré sa v nej uvádzajú.



VÝSTRAHA: Pred zostavením výrobku od zapalovacej sviečky odpojte kábel zapalovacej sviečky.

Montáž rukoväti

1. Uvoľnite spodné gombíky na ľavej a pravej strane výrobku. Skontrolujte, či sa plastová podložka nachádza v drážke v podpere rukoväti. (Obr. 30)
2. Nainštalujte rukoväť sklopenú smerom dopredu, ako je to znázornené na obrázku. (Obr. 31)
 - a) Skontrolujte, či sa plastová podložka nachádza medzi rukoväťou a podporou rukoväti.
 - b) Pripevnite rukoväť k podpere rukoväti.
3. Nadvihnite rukoväť nahor. (Obr. 32)

4. Gombíky utiahnite na doraz. Informácie o nastavení výšky rukoväti nájdete v časti *Nastavenie výšky držadla na strane 311*.
5. Umiestnite káble do držiakov káblov. Skontrolujte, či nie sú káble viditeľne stočené. Pripevnite držiaky káblov k rukoväti. (Obr. 33)
6. Pomocou káblovej spony pripevnite káble k podpere rukoväti. (Obr. 34)

Nastavenie výšky držadla

1. Uvoľnite spodné gombíky.
2. Posuňte gombíky smerom k spodnej časti drážok na ľavej a pravej strane výrobku. (Obr. 35)
3. Nastavte výšku rukoväti do jednej z dvoch dostupných polôh.
4. Posuňte gombíky nahor smerom k rukoväti, kým sa nezastavia a nezaznie kliknutie. (Obr. 36)
5. Gombíky utiahnite na doraz.

Nastavenie výrobku do transportnej polohy

1. Odstráňte zberný kôš.

2. Uvoľnite spodné gombíky.
3. Posuňte gombíky smerom k spodnej časti drážok na ľavej a pravej strane výrobku. (Obr. 35)
4. Skopťe držadlo dopredu. (Obr. 37)

Nastavenie výrobku do prevádzkovej polohy

1. Nadvihnite rukoväť nahor. (Obr. 32)
2. Posuňte gombíky nahor smerom k rukováti, kým sa nezastavia a nezaznie kliknutie. (Obr. 36)
3. Gombíky utiahnite na doraz.

Zostavenie zberného koša

1. Pripojte rám zberného koša k vaku na trávu tak, aby pevná časť vaku bola na spodnej strane. Rukoväť rámu držte nad vakom na trávu. (Obr. 38)
2. Pripojte spodnú časť rámu zberného koša k spodnej časti vaku na trávu. (Obr. 39)
 - a) Rám zberného koša zatlačte do drážky. Začnite na pravej strane, ako je to znázornené na obrázku, a postupujte smerom doľava.
3. Ak sa rám zberného koša nedá pripevniť ľahko, opatrne po ňom udrite gumeným kladivom. Rám zberného koša udierajte medzi spevnenými časťami. (Obr. 40)
4. Vak na trávu pripojte k rámu zberného koša pomocou svoriek. (Obr. 41)

5. Nadvihnite zadný kryt.
6. Upevnite zberný kôš na horný okraj rámu.
7. Vložte spodnú časť zberného koša do kanála na vyhadzovanie trávy. (Obr. 42)

Osadenie mulčovacej zarážky (príslušenstvo)

1. Nadvihnite zadný kryt a vyberte zberný kôš.
2. Do kanála na vyhadzovanie trávy vložte prípojku na mulčovanie. (Obr. 43)
3. Vymeňte nôž za mulčovací nôž dodaný so súpravou na mulčovanie. Pozrite si časť *Výmena noža na strane 315*.

Kosenie trávy bez pripojeného zberného koša alebo zasunutej mulčovacej zarážky

- Nadvihnite zadný kryt a vyberte zberný kôš.
- Ak sa používa mulčovacia zarážka a mulčovací nôž, demontujte ich.
- Pred používaním výrobku zatvorte zadný kryt.

Pri používaní výrobku sa pokosená tráva vyhadzuje pod zadným krytom.

Prevádzka

Úvod



VÝSTRAHA: Pred používaním výrobku si musíte prečítať kapitolu o bezpečnosti a porozumieť informáciám, ktoré sa v nej uvádzajú.

Husqvarna Connect

Husqvarna Connect je bezplatná aplikácia pre mobilné zariadenia. Aplikácia Husqvarna Connect prináša rozšírené funkcie pre výrobok Husqvarna:

- Rozšírené informácie o výrobku.
- Informácie a podpora vzťahujúce sa na súčasť výrobku a servis.

Ak chcete začať, použite Husqvarna Connect

1. Stiahnite si aplikáciu Husqvarna Connect do mobilného zariadenia.
2. Zaregistrujte sa v aplikácii Husqvarna Connect.
3. Ak chcete pripojiť a zaregistrovať produkt, postupujte podľa pokynov v aplikácii Husqvarna Connect.

Pred obsluhou zariadenia

1. Pozorne si prečítajte tento návod na obsluhu a uistite sa, že ste porozumeli pokynom.
2. Skontrolujte reznú zariadenie a uistite sa, že je správne upevnené a nastavené. Pozrite si kapitolu *Kontrola rezného zariadenia na strane 315*.
3. Nalejte palivo do palivovej nádrže. Pozrite si kapitolu *Doplňanie paliva na strane 312*.
4. Naplňte nádrž a skontrolujte hladinu oleja. Pozrite si kapitolu *Kontrola hladiny oleja na strane 315*.

Doplňanie paliva

Ak je to možné, používajte alkylátový benzín s nízkymi emisiami. Ak nemáte k dispozícii alkylátový benzín s nízkymi emisiami, použite vysokokvalitný bezolovnatý benzín alebo olovnatý benzín s oktánovým číslom minimálne 90.



VAROVANIE: Nepoužívajte benzín s oktánovým číslom menším než 90 RON (87 AKI). Mohlo by to viesť k poškodeniu výrobku.

1. Pomalým otvorením veka palivovej nádrže uvoľnite tlak.
2. S použitím kanistra opatrne doplňte palivo. Ak sa palivo vyleje, pomocou handričky ho utrite a zvyšné palivo nechajte vyschnúť. (Obr. 44)
3. Vyčistite priestor okolo veka palivovej nádrže.
4. Veko palivovej nádrže pevne utiahnite. Ak nie je veko palivovej nádrže pevne utiahnuté, existuje riziko vzniku požiaru.
5. Pred spustením premiestnite výrobok minimálne 3 m od miesta, na ktorom ste doplňali palivo do nádrže.
5. Pevne uchopte rukoväť štartovacieho lanka pravou rukou.
6. Pomaly potiahnite štartovacie lanko, kým nepocítite istý odpor.
7. Silným potiahnutím naštartujte motor.
8. Nastavte ovládanie plynu na plný plyn.
9. Model LC 551VBP:
 - a) Uvoľnite poistku naštartovania.
 - b) Zatlačením ovládania brzdy noža v smere rukoväti spustíte nôž.

Nastavenie výšky kosenia

Výšku rezu možno nastaviť v šiestich rôznych úrovniach.

1. Zatlačte ovládač výšky rezu v smere kolieska a potom smerom dozadu, aby sa výška rezu zväčšila.
2. Zatlačte ovládač výšky rezu v smere kolieska a potom smerom dopredu, aby sa výška rezu zmenšila. (Obr. 45)



VAROVANIE: Nenastavujte výšku rezu príliš nízko. Ak nie je povrch trávniku rovný, nože môžu narážať o zem.

Zapnutie výrobku (LC 551VQ)

1. Uistite sa, že je kábel zapaľovania pripojený k zapaľovacej sviečke.
2. Stojte za výrobkom.
3. Rukoväť motorovej brzdy držte oproti hornej rukoväti. (Obr. 46)
4. Pevne uchopte rukoväť štartovacieho lanka pravou rukou.
5. Pomaly potiahnite štartovacie lanko, kým nepocítite istý odpor.
6. Silným potiahnutím naštartujte motor.

Naštartovanie výrobku (LC 551SP, LC 551VBP)

1. Uistite sa, že je kábel zapaľovania pripojený k zapaľovacej sviečke.
2. Stojte za výrobkom.
3. Nastavte ovládanie plynu.
 - a) Ak je motor studený, nastavte ovládanie plynu do polohy sýtiča. (Obr. 47)
 - b) Ak je motor teplý, ovládanie plynu nenastavujte do polohy sýtiča.
4. Model LC 551SP: držte rukoväť motorovej brzdy oproti rukoväti. (Obr. 46)

Používanie pohonu na kolesách

- Potiahnite páku pohonu k hornej rukoväti. (Obr. 48)
- Model LC 551VQ a model LC 551VBP: Pomocou regulácie rýchlosti na ľavej strane rukoväti upravte rýchlosť jazdy. Posunutím regulácie rýchlosti dopredu zvýšite rýchlosť a posunutím dozadu rýchlosť znížite. (Obr. 49)
- Pred potiahnutím výrobku smerom dozadu deaktivujte pohon a potlačte výrobok zhruba 10 cm dopredu.
- Uvoľnením páky pohonu deaktivujte pohon, napr. keď sa pohybujete v blízkosti prekážok.

Vypnutie výrobku (LC 551SP, LC 551VQ)

- Ak chcete vypnúť len pohon, uvoľnite páku pohonu.
- Ak chcete vypnúť motor, uvoľnite rukoväť motorovej brzdy.

Zastavenie výrobku (LC 551VBP)

- Ak chcete vypnúť len pohon, uvoľnite páku pohonu.
- Ak chcete zastaviť motor, prepnite ovládanie plynu do polohy STOP.

Zabezpečenie optimálnych výsledkov

- Vždy používajte ostrý nôž. Tupý nôž poskytuje nepravdivé výsledky kosenia a pokosený povrch trávniku zožltne. Ostrý nôž spotrebuje menej energie ako tupý nôž.
- Nekoste viac ako 1/3 dĺžky trávy. Najprv koste s nastavenou vysokou výškou rezu. Skontrolujte výsledok a znížte výšku rezu na príslušnú úroveň. Ak je tráva veľmi vysoká, pohybujte sa pomaly a ak je to potrebné, pokoste ju dvakrát.
- Zakaždým koste iným smerom, aby ste predišli vzniku pruhov na trávniku.
- Udržiavajte kryt kosačky čistý. Nahromadenie trávy a nečistoty na vnútornej strane krytu kosačky môže viesť k horšiemu výsledku kosenia. Pozrite si časť *Čistenie vnútorného povrchu krytu rezacej časti na strane 314.*

Údržba

Úvod



VÝSTRAHA: Pred vykonávaním akejkoľvek údržby si musíte prečítať kapitolu o bezpečnosti a porozumieť jej.

Údržba a opravné práce na výrobku si vyžadujú špeciálne školenie. Zaručujeme dostupnosť profesionálnych opravných prác a údržby. Ak váš predajca nie je servisný zástupca, kontaktujte predajcu, ktorý vám poskytne informácie o najbližšom servisnom zástupcovi.

Podrobnejšie informácie nájdete na stránke www.husqvarna.com.

Plán údržby



VAROVANIE: Uistite sa, že vzduchový filter je na vrchnej strane výrobku a nie smerom do zeme, keď výrobok nakloníte. Hrozí nebezpečenstvo poškodenia motora.

Intervaly údržby sú vypočítané na základe každodenného používania výrobku. Ak sa výrobok nepoužíva každý deň, tieto intervaly sa menia.

Informácie o prvkoch údržby označených symbolom * nájdete v pokynoch v časti *Bezpečnostné zariadenia na výrobku na strane 310*.

Údržba	Denne	Týždenne	Mesačne
Vykonajte všeobecnú kontrolu	X		
Skontrolujte hladinu oleja	X		
Čistenie výrobku	X		
Skontrolujte rezné zariadenie	X		
Skontrolujte kryt rezacej časti *	X		
Skontrolujte rukoväť motorovej brzdy * LC 551SP, LC 551VQ	X		
Skontrolujte ovládanie brzdy noža * LC 551VBP	X		
Skontrolujte tlmič výfuku *		X	
Skontrolujte zapaľovaciu sviečku		X	
Vymeňte olej (prvýkrát po 5 hodinách používania, potom po každých 50 hodinách používania a ročne)			X
Vyčistite vzduchový filter alebo ho vymeňte			X
Skontrolujte palivový systém			X

Vykonanie všeobecnej kontroly

- Uistite sa, že sú dotiahnuté všetky matice aj skrutky na výrobku.

Čistenie výrobku

- Plastové diely čistite čistou a suchou handričkou.
- Výrobok neumývajte vodou. Voda môže preniknúť do batérie alebo motora a spôsobiť skrat alebo poškodenie výrobku.
- Na čistenie produktu nepoužívajte vysokotlakový čistič.
- Nikdy nelejte vodu priamo na motor.
- Pomocou kefy odstráňte listy, trávu a nečistoty.
- Odnímate kryt spojky a pomocou kefy odstráňte trávu pod krytom spojky. (LC 551VBP)

Čistenie vnútorného povrchu krytu rezacej časti

- Vyprázdňte palivovú nádrž.
- Položte výrobok na stranu tak, aby tlmič výfuku smeroval nadol.



VAROVANIE: Ak výrobok položíte tak, že vzduchový filter bude smerovať nadol, môže dôjsť k poškodeniu motora.

- Pomocou hadice vystriekajte vnútorné povrchy krytu rezacej časti.

Kontrola rezného zariadenia



VÝSTRAHA: Aby ste zabránili náhodnému naštartovaniu, odpojte kábel zapalovania od zapalovacej sviečky.



VÝSTRAHA: Pri vykonávaní údržby rezného zariadenia používajte ochranné rukavice. Čepeľ je veľmi ostrá a ľahko môže dôjsť k porezaniu.

1. Skontrolujte, či sa na reznom zariadení nenachádzajú známky poškodenia alebo praskliny. Poškodené rezné zariadenie vždy vymeňte.
2. Skontrolujte, či nie je poškodený alebo tupý nôž.

Poznámka: Po nabrúsení je potrebné nôž vyrovnať. Nôž nechajte nabrúsiť, vymeniť a vyrovnať v servisnom stredisku. Ak narazíte na predmet, ktorý spôsobí zastavenie výrobku, vymeňte poškodený nôž. Nechajte, aby servisné stredisko rozhodlo, či je možné nôž nabrúsiť alebo sa musí vymeniť.

Výmena noža

1. Pomocou dreveného bloku zaistite nôž. (Obr. 50)
2. Odstráňte skrutku noža.
3. Odstráňte nôž.
4. Skontrolujte, či nie je poškodená podpera a skrutka noža.
5. Skontrolujte hriadeľ motora a uistite sa, že nie je ohnutý.
6. Pri upevňovaní nového noža nasmerujte uhly noža v smere krytu rezacej časti. (Obr. 51)
7. Uistite sa, že je nôž zarovnaný so stredom hriadeľa motora.
8. Pomocou dreveného bloku zaistite nôž. (Obr. 52)
9. Pripojte nôž.
 - a) Na modeli LC 551SP, LC 551VQ pripevnite pérovy podložku a utiahnite skrutku a podložku momentom 70 Nm.
 - b) Model LC 551VBP: skrutku utiahnite momentom 50 Nm. (Obr. 53)
10. Rukou potočte nožom a uistite sa, že sa voľne otáča.



VÝSTRAHA: Používajte odolné rukavice. Nôž je veľmi ostrý a ľahko môže dôjsť k zraneniu.

11. Zapnite výrobok a otestujte nôž. Ak nôž nie je správne upevnený, výrobok vibruje alebo poskytuje neuspokojivé výsledky kosenia.

Kontrola hladiny oleja



VAROVANIE: Príliš nízka hladina oleja môže viesť k poškodeniu motora. Pred zapnutím výrobku skontrolujte hladinu oleja.

1. Položte výrobok na rovný povrch.
2. Odstráňte uzáver nádrže na olej s olejovou mierkou.
3. Očistite olej z olejovej mierky.
4. Ponornú mierku zasuňte celú do nádrže na olej. Uťahnite uzáver nádrže na olej, aby ste sa uistili, že poskytuje správny obraz o hladine oleja.
5. Vytiahnite olejovú mierku.
6. Skontrolujte hladinu oleja na ponornej mierke.
7. V prípade príliš nízkej hladiny doplňte motorový olej a opätovne skontrolujte hladinu oleja.

(Obr. 54)

Poznámka: Použite lievik, aby ste zabránili úniku oleja.

Výmena motorového oleja



VÝSTRAHA: Bezprostredne po vypnutí motora je motorový olej veľmi horúci. Nechajte motor vychladnúť pred vypustením oleja. Ak sa motorový olej dostane na pokožku, očistite ju mydlom a vodou.

(Obr. 55)

1. Vytiahnite kábel zapalovania zo zapalovacej sviečky.
2. Odstráňte uzáver nádrže na olej.
3. Vypustíte motorový olej.
 - a) Pre modely so zátkou na vypustenie oleja: Pod zátku na vypustenie oleja položte nádobu na zachytenie motorového oleja.
 - b) Pre modely bez zátky na vypustenie oleja alebo ak pod ňu nie je možné položiť nádobu na zachytenie motorového oleja: Na vypustenie motorového oleja z nádrže oleja použite olejové čerpadlo (príslušenstvo).
4. Nalejte do nádrže nový motorový olej, pričom sa riadte odporúčaniami v kapitole *Technické údaje na strane 317*.
5. Skontrolujte hladinu oleja. V časti *Kontrola hladiny oleja na strane 315*.

Doplnenie a výmena motorového oleja

- Informácie o dopĺňaní a výmene motorového oleja sú uvedené v návode na obsluhu motora.

Vyčistenie a výmena vzduchového filtra (LC 5551SP, LC 551VBP)

- Informácie o čistení a výmene vzduchového filtra sú uvedené v návode na obsluhu motora.

Demontáž a montáž vzduchového filtra (LC 551VQ)



VÝSTRAHA: Používajte ochranné rukavice.

1. Stlačte svorky na kryte vzduchového filtra.
2. Opatrne vyberte kryt vzduchového filtra (A) z motora.
3. Odstráňte vzduchový filter (B) a penový filter (C). (Obr. 56)
4. Skontrolujte, či vzduchový filter nie je poškodený. Poškodený vzduchový filter vymeňte.
5. Čistenie a kontrola vzduchového filtra V časti *Čistenie vzduchového filtra (LC 551VQ) na strane 316.*
6. Pri montáži postupujte v opačnom poradí.

Čistenie vzduchového filtra (LC 551VQ)



VAROVANIE: Nepoužívajte motor bez pripojeného vzduchového filtra alebo ak je vzduchový filter znečistený.



VAROVANIE: Ak vzduchový filter nie je možné úplne vyčistiť alebo je poškodený, vymeňte ho. Chybný vzduchový filter spôsobuje poškodenie motora.

1. Zatlačte poistné výstupky (A), odstráňte kryt vzduchového filtra (B) a odstráňte vzduchový filter (C). (Obr. 57)
2. Oklepte vzduchový filter o tvrdý povrch alebo vyfúkните stlačený vzduch cez vzduchový filter z jeho čistej strany.



VAROVANIE: Na odstránenie nečistôt nepoužívajte kefu, pretože nečistoty sa tak zatlačia do vzduchového filtra.

3. Držiak vzduchového filtra (D) a kryt vzduchového filtra očistite vlhkou handričkou.



VAROVANIE: Uistite sa, že do vzduchového potrubia (E) nevnikla nečistota.

4. Nainštalujte vzduchový filter. Uistite sa, že filter pevne dosadá proti držiaku vzduchového filtra.
5. Najprv nasadte kryt vzduchového filtra so spodnými výstupkami.

Kontrola zapalovacej sviečky



VAROVANIE: Vždy používajte odporúčaný typ zapalovacej sviečky. Nesprávny typ zapalovacej sviečky môže spôsobiť poškodenie výrobku.

- Ak má motor slabý výkon, ťažko sa štartuje alebo pri voľnobežných otáčkach nefunguje správne, skontrolujte zapalovaciu sviečku.
- Ak chcete znížiť riziko prítomnosti neželaného materiálu na elektródach zapalovacej sviečky, postupujte takto:
 - a) Uistite sa, že voľnobežné otáčky sú správne nastavené.
 - b) Uistite sa, že používate správnu zmes paliva.
 - c) Uistite sa, že je čistý vzduchový filter.
- Ak je zapalovacia sviečka znečistená, očistite ju a skontrolujte, či je medzera medzi elektródami správna. Pozrite si časť *Technické údaje na strane 317.* (Obr. 58)
- V prípade potreby vymeňte zapalovaciu sviečku.

Kontrola palivového systému

- Skontrolujte veko palivovej nádrže a tesnenie veka palivovej nádrže a uistite sa, že nie sú poškodené.
- Skontrolujte palivovú hadicu a uistite sa, že z nej nevyteká palivo. Ak je palivová hadica poškodená, nechajte servisného zástupcu, aby ju vymenil.

Nastavenie regulácie rýchlosti a ovládania plynu

Regulácia rýchlosti upraví rýchlosť jazdy. Ovládanie plynu upraví otáčky motora.



VAROVANIE: Reguláciu rýchlosti neupravujte, keď je motor spustený.

1. Ak chcete nastaviť rýchlosť jazdy, upravte dĺžku plášťa kábla otočením nastavovacej skrutky (A). Ak chcete rýchlosť jazdy zvýšiť, plášť kábla skráťte.
2. Ak nie je možné dosiahnuť polohu sýtiča alebo zastavenia, upravte otáčky motora. Otočte nastavovaciu skrutku (B). (Obr. 59)

Preprava, skladovanie a likvidácia

Preprava a uskladnenie

- Pri uskladňovaní a preprave výrobku a paliva sa uistite, že nedochádza k úniku kvapaliny a výparov. Iskry alebo otvorené plamene, napr. z elektrických zariadení alebo bojlerov, môžu vyvolať požiar.
- Na uskladnenie a prepravu paliva vždy používajte schválené kanistre.
- Pred uskladnením výrobku na dlhšiu dobu vyprázdňte palivovú nádrž. Palivo zlikvidujte v príslušnom zariadení na likvidáciu.
- Počas prepravy výrobok bezpečne upevnite, aby ste zabránili poškodeniu alebo nehodám.
- Výrobok skladujte v uzamknutom priestore mimo dosahu detí a neoprávnených osôb.

- Výrobok skladujte na suchom mieste, ktoré je chránené pred mrazom.

Likvidácia

- Dodržiavajte miestne požiadavky v oblasti recyklácie a platné predpisy.
- Všetky chemikálie, ako napr. motorový olej alebo palivo, zlikvidujte v servisnom stredisku alebo v príslušnom zariadení na likvidáciu.
- Keď už výrobok nepoužívate, pošlite ho predajcovi spoločnosti Husqvarna alebo ho zlikvidujte v recyklačnom zariadení.

Technické údaje

	LC 551SP	LC 551VBP	LC 551VQ
Motor			
Značka	Kawasaki	Kawasaki	Husqvarna
Model	FJ180V	FJ180V	HS 166AP
Typ motora	Jednovalcový, 4-taktový, chladenie s núteným obehom vzduchu, OHV	Jednovalcový, 4-taktový, chladenie s núteným obehom vzduchu, OHV	Jednovalcový, 4-taktový, chladenie s núteným obehom vzduchu, OHV
Objem, cm ³	179	179	166
Rýchlosť, ot./min	2800	2800	2800
Menovitý výkon motora, kW ¹¹¹	2,9	2,9	2,7
Systém zapalovania			
Zapaľovacia sviečka	NGK BPR5ES	NGK BPR5ES	Husqvarna HQT-7
Vzdialenosť elektród, mm	0,6 – 0,8	0,6 – 0,8	0,7 – 0,8
Systém paliva a mazania			
Typ mazania motora	Tlak pri olejovom filtri	Tlak pri olejovom filtri	Rozstrekovaním oleja
Objem palivovej nádrže, l	1,9	1,9	1,5
Objem nádrže na olej, l	0,7	0,7	0,5

¹¹¹ Vyznačený výkon motora je priemerný čistý výkon (pri uvedených ot./min) typického sériového motora pre model motora meraný podľa normy SAE J1349/ISO 1585. Sériovo vyrábané motory sa môžu od tejto hodnoty odlišovať. Skutočný výkon motora nainštalovaného na koncovom výrobku závisí od prevádzkovej rýchlosti, podmienok okolitého prostredia a iných hodnôt.

	LC 551SP	LC 551VBP	LC 551VQ
Motorový olej ¹¹²	Husqvarna SAE 30	Husqvarna SAE 30	Husqvarna SAE 30
Hmotnosť			
S prázdnyimi nádržami, kg	48,5	52,5	51,0
Emisie hluku ¹¹³			
Nameraná hladina akustického výkonu, dB (A)	97	96	97
Zaručená úroveň hlučnosti L _{WA} dB(A)	98	98	98
Úrovne hlučnosti ¹¹⁴			
Hladina akustického tlaku pri uchu obsluhy, dB (A)	87	84	86
Úrovne vibrácií ¹¹⁵			
Rukoväť, m/s ²	4,5	4,5	3,2
Rezné zariadenie			
Výška rezu, mm	26 – 74	26 – 74	26 – 74
Šírka rezu, mm	510	510	510
Nôž	Zberací	Zberací	Zberací
Objednávacie číslo	5875908-10	5821494-10	5875908-10
Kapacita zberného koša, l	65	65	65
Pohon			
Rýchlosť, km/h	4,1	2,8 – 5	2,8-5

¹¹² Ak sa motorový olej SAE-30 používa pri teplote nižšej ako +5 °C, existuje riziko, že motor nebude dostatočne mazaný. Môže tak dôjsť k poškodeniu motora. V časti *Výmena motorového oleja na strane 315* o vhodnom oleji použiteľnom pri nízkych teplotách.

¹¹³ Hladina hluku meraná ako akustický tlak (L_{WA}) v súlade s európskou smernicou 2000/14/ES.

¹¹⁴ Hladina akustického tlaku podľa smernice ISO 5395. Uvádzané údaje pre hladinu akustického tlaku majú typický štatistický rozptyl (štandardnú odchýlku) 1,2 dB (A).

¹¹⁵ Úroveň vibrácií podľa smernice ISO 5395. Uvádzané údaje pre ekvivalentný stupeň vibrácií majú typický štatistický rozptyl (štandardnú odchýlku) 0,2 m/s².

Vyhlásenie o zhode

Vyhlásenie o zhode EÚ

My, spoločnosť **Husqvarna AB**, SE-561 82 Huskvarna, Švédsko, tel.: +46-36-146500, vyhlasujeme s plnou zodpovednosťou, že výrobok:

Popis	Kosačka na trávu
Značka	Husqvarna
Typ/model	LC 551SP, LC 551VBP, LC 551VQ
Identifikácia	Výrobné čísla od roku 2022 a novšie

plne spĺňa nasledujúce smernice a nariadenia EÚ:

Nariadenie	Popis
2006/42/ES	„o strojových zariadeniach“
2014/30/EÚ	„o elektromagnetickej kompatibilite“
2000/14/ES	„týkajúca sa emisie hluku v prostredí pochádzajúceho zo zariadení používaných vo voľnom priestranstve“
2011/65/EÚ	„o obmedzení používania určitých nebezpečných látok v elektrických a elektronických zariadeniach“

a že sa pri ňom uplatňujú nasledujúce normy a technické špecifikácie: EN ISO 5395-1:2013/A1:2018, EN ISO 5395-2:2013/A1:2016/A2:2017, EN ISO 14982:2009, EN IEC 63000:2018

Notifikovaný orgán: 0404, RISE SMP Svensk Maskinprovning AB, Box 4053, SE-904 03 Umeå, Sweden osvedčil zhodu so smernicou Rady 2000/14/ES, posudzovanie zhody: príloha VI.

Informácie týkajúce sa emisií hluku nájdete v časti *Technické údaje na strane 317*.

Huskvarna, 2022-09-29



Claes Losdal, Manažér vývoja/Produkty pre záhradu
Husqvarna AB

Zodpovedný za technickú dokumentáciu



VSEBINA

Uvod.....	320	Vzdrževanje.....	326
Varnost.....	321	Transport skladiščenje in odstranitev.....	329
Montaža.....	324	Tehnični podatki.....	329
Delovanje.....	325	Izjava o skladnosti.....	332

Uvod

Opis izdelka

Naprava je rotacijska kosilnica. Pokošena trava se zbira v zbiralniku za travo. Če želite uporabiti zadenjski izmet trave, odstranite zbiralnik za travo. Če želite travo razrezati v gnojilo, namestite mulčer (dodatna oprema).

Pregled izdelka

(Sl. 1)

1. Ročica zavore motorja
2. Ročica/ročaj
3. Nadzor hitrosti
4. Pogonska ročica
5. Ročica zaganjalne vrvice
6. Zbiralnik za travo
7. Nastavitev višine ročaja
8. Regulator višine košnje

Pregled izdelka

(Sl. 2)

1. Ročica/ročaj
2. Ročica za zavoro rezila (LC 551VBP)
3. Nastavitev hitrosti/uravnavanje plina (LC 551VBP)
4. Pogonska ročica (LC 551VBP)
5. Blokada vžiga (LC 551VBP)
6. Ročica zaganjalne vrvice
7. Zbiralnik za travo
8. Nastavitev višine ročaja
9. Regulator višine košnje
10. Merilna palica/rezervoar olja
11. Pokrov rezila
12. Dušilec
13. Svečka
14. Zračni filter
15. Rezervoar za gorivo
16. Zadnji pokrov
17. Ročica zavore motorja (LC 551SP)
18. Uravnavanje plina (LC 551SP)
19. Pogonska ročica (LC 551SP)
20. Navodila za uporabo

Namen uporabe

Izdelek uporabite za rezanje trave. Izdelka ne uporabljajte za druga opravila.

9. Merilna palica/rezervoar olja
10. Pokrov rezila
11. Dušilec
12. Svečka
13. Zračni filter
14. Rezervoar za gorivo
15. Zadnji pokrov
16. Navodila za uporabo

Simboli na izdelku

- (Sl. 3) Neprevidna ali napačna uporaba lahko povzroči poškodbe in celo smrt uporabnika ali opazovalcev.
- (Sl. 4) Pred začetkom uporabe izdelka natančno preberite navodila za uporabo in se prepričajte, da ste jih razumeli.
- (Sl. 5) Poskrbite, da so osebe in živali na varni razdalji od delovnega območja.
- (Sl. 6) Izklopite motor in odstranite vžigalni kabel, šele nato opravite popravila ali vzdrževalna dela.
- (Sl. 7) Olje
- (Sl. 8) Hitro
- (Sl. 9) Počasi
- (Sl. 10) Izklopite motor
- (Sl. 11) Čok

- | | | | |
|----------|--|----------|---|
| (Sl. 12) | Sklopka rezila | (Sl. 23) | Ob dobavi v motorju ni olja. |
| (Sl. 13) | Pazite na leteče in odbite predmete. | (Sl. 24) | Pred uporabo izdelka dolijte olje. |
| (Sl. 14) | Roke in noge držite stran od vrtljivega rezila. | (Sl. 25) | Ne uporabljajte goriva E85. |
| (Sl. 15) | Roke in noge držite stran od vrtljivih delov. | (Sl. 26) | Izdelka ne izpostavljajte odprtemu ognju. |
| (Sl. 16) | Ta izdelek je v skladu z veljavnimi direktivami EU. | (Sl. 27) | Bralna koda. |
| (Sl. 17) | Izdelek je v skladu z veljavnimi direktivami ZK. | | |
| (Sl. 18) | Emisija hrupa v okolje je skladna z direktivami in uredbami EU, ZK ter zakonodajo Novega južnega Walesa, in sicer z direktivo "Zaščita okolja pri delu (nadzor hrupa) iz 2017". Zajamčena raven zvočne moči izdelka je navedena na in v <i>Tehnični podatki na strani 329</i> in na oznaki | | |
| (Sl. 19) | Izpušni plini vsebujejo ogljikov monoksid iz motorja, ki je brezbarven, strupen in zelo nevaren plin. Izdelka ne zaganjajte v stavbah ali v zaprtih prostorih. | | |
| (Sl. 20) | Izdelka ne zaganjajte v stavbah ali v zaprtih prostorih. | | |
| (Sl. 21) | Nevarnost eksplozije. | | |
| (Sl. 22) | Vroča površina | | |

Opomba: Ostali simboli in oznake na izdelku se nanašajo na zakonske zahteve, ki veljajo za nekatere trge.

Stopnja emisij Euro V



OPOZORILO: Zaradi predelave motorja se razveljavi EU-homologacija tega izdelka.

Odgovornost proizvajalca

Kot je navedeno v zakonodaji, ki ureja odgovornost proizvajalca, ne prevzemamo nikakršne odgovornosti za poškodbe, ki bi jih naši izdelki povzročili v naslednjih primerih:

- Izdelek ni pravilno popravljen.
- Izdelek je popravljen z deli, ki jih ni izdelal ali odobril proizvajalec.
- Na izdelku je nameščena dodatna oprema, ki je ni izdelal ali odobril proizvajalec.
- Izdelek ni bil popravljen v pooblaščenem servisnem centru ali pri pooblaščenem organu.

Varnost

Varnostne definicije

Opozorila, svarila in opombe opozarjajo na posebej pomembne dele priročnika.



OPOZORILO: Se uporabi, če obstaja nevarnost telesne poškodbe ali smrti uporabnika ali opazovalcev ob neupoštevanju navodil v tem priročniku.



POZOR: Se uporabi, če obstaja nevarnost poškodbe izdelka, drugih materialov ali okolice ob neupoštevanju navodil v tem priročniku.

Opomba: Se uporabi za podajanje podrobnejših informacij, potrebnih v dani situaciji.

Splošna varnostna navodila



OPOZORILO: Pred uporabo izdelka preberite navodila v povezavi z opozorili v nadaljevanju.

- Ta izdelek je lahko nevaren, če ga ne uporabljate pravilno ali če niste previdni. Če ne upoštevate varnostnih navodil, lahko nastopijo poškodbe ali celo smrt.
- Izdelek med delovanjem ustvarja elektromagnetno polje. To polje lahko v nekaterih pogojih moti delovanje aktivnih ali pasivnih medicinskih vsadkov. Uporabnikom medicinskih vsadkov svetujemo, da se pred uporabo tega izdelka posvetujejo z zdravnikom ali proizvajalcem medicinskega vsadka, s čimer zmanjšajo nevarnost resnih ali smrtnih poškodb.
- Vedno bodite previdni in ravnajte razumno. Če niste prepričani, kako upravljati ta izdelek v določeni

situaciji, prenehajte z delom in se pogovorite s prodajalcem Husqvarna.

- Ne pozabite, da je uporabnik odgovoren za nesreče, ki jih povzroči drugim ljudem ali njihovi lastnini.
- Stroj redno čistite. Pozorno preberite znake in nalepke.
- Ne dovolite osebi, ki ni prebrala in ne razume vsebine navodil za uporabo, da upravlja ta izdelek.
- Izdelka ne smejo uporabljati otroci.
- Otroci naj ostanejo zunaj delovnega območja. Vedno mora biti prisotna odgovorna odrasla oseba.
- Izdelka ne smejo uporabljati osebe, ki ne poznajo navodil za uporabo.
- Če izdelek uporabljajo osebe z zmanjšanimi fizičnimi ali intelektualnimi sposobnostmi, jih nenehno nadzorujte. Vedno mora biti prisotna odgovorna odrasla oseba.
- Izdelka ne uporabljajte, ko ste utrujeni, bolni, ali pod vplivom alkohola, drog ali zdravil. To negativno vpliva na vaš vid, pozornost, koordinacijo in presojo.
- Izdelka ne uporabljajte, če je poškodovan.
- Izdelka ne spreminjajte ali uporabljajte, če obstaja možnost, da so ga spremenile tretje osebe.
- Ne spreminjajte nastavitve števila vrtljajev motorja.

Varnost delovnega področja



OPOZORILO: Pred uporabo izdelka preberite navodila v povezavi z opozorili v nadaljevanju.

- Z delovnega območja pred začetkom dela odstranite predmete, kot so veje, vejice in kamni.
- Predmeti, ki pridejo v kontakt z rezalno opremo, lahko odletijo in poškodujejo osebe in ostale predmete. Opazovalci in živali naj bodo na varni razdalji od izdelka.
- Izdelka nikoli ne uporabljajte v slabem vremenu, kot je megla, dež, močan veter, izreden mraz ter nevarnost strele. Če izdelek uporabljate v slabem vremenu ali v vlažnih ali mokrih okoljih, vas bo to utrudilo. Slabo vreme lahko povzroči nevarne pogoje, kot je spolzka podlaga.
- Bodite pozorni na osebe, predmete in situacije, ki lahko preprečijo varno obratovanje izdelka.
- Bodite pozorni na ovire, kot so korenine, kamni, veje, jame in jarki. Visoka trava lahko prekriva ovire.
- Košnja trave na pobočju je lahko nevarna. Izdelka ne uporabljajte na pobočjih z naklonom, večjim od 15°.
- Izdelek uporabljajte prečno na pobočje. Ne premikajte se navzgor in navzdol.
- Bodite previdni, kadar se približujete kotom in predmetom, ki omejujejo pogled.

Varnost pri delu



OPOZORILO: Pred uporabo izdelka preberite navodila v povezavi z opozorili v nadaljevanju.

- Ta izdelek uporabljajte izključno za košnjo trave. Ne uporabljajte ga za druga opravila.
- Uporabljajte osebno zaščitno opremo. Glejte *Osebna zaščitna oprema na strani 323*.
- V zasilnem primeru morate znati motor hitro izklopiti.
- Motorja nikoli ne vklopite v zaprtem prostoru ali v bližini vnetljivega materiala. Izpušni plini iz motorja so vroči in lahko vsebujejo iskre, ki lahko povzročijo požar.
- Izdelka ne uporabljajte, če rezilo in vsi pokrovi niso nameščeni pravilno. Nepravilno nameščeno rezilo lahko odleti in povzroči poškodbe.
- Pazite, da rezilo ne udarja ob predmete, npr. kamenje in korenine. To lahko poškoduje rezilo in ukrivi motorno gred. Zvita os povzroča vibracije in zelo visoko tveganje, da rezilo odleti.
- Če rezilo trči ob predmet ali začutite vibracije, izdelek nemudoma izklopite. S svečke odstranite vžigalni kabel. Preglejte, ali je izdelek morda poškodovan. Poškodbe popravite ali pa popravilo prepustite pooblaščenemu serviserju.
- Ročico zavore motorja nikoli ne pritrdite trajno na ročaj, ko je motor obratuje.
- Izdelek vklopite na stabilni in ravni podlagi. Prepričajte se, da rezilo ne trči ob tla ali druge predmete.
- Vedno bodite za izdelkom, ko ga upravljate.
- Ko upravljate izdelek, morajo biti vsa kolesa na tleh, prav tako pa imejte na ročaju obe roki. Roke in noge držite stran od vrtljivih rezil.
- Pri delujočem motorju izdelka nikoli ne nagibajte.
- Ko izdelek potegnete nazaj, bodite previdni.
- Izdelka ne dvigajte, ko motor deluje. Če morate izdelek dvigniti, motor izklopite in s svečke odstranite vžigalni kabel.
- Med uporabo izdelka ne hodite vzvratno.
- Izklopite motor, ko se premikate prek področij brez trave, npr. poti iz gramoza, kamna in asfalta.
- Pri delujočem motorju ne tecite z izdelkom. Pri uporabi tega izdelka vedno hodite.
- Preden spreminjate višino reza, ustavite motor. Ne izvajajte prilagoditev, ko motor deluje.
- Ko je motor vklopljen, imejte izdelek vedno v pogledu. Motor izklopite in se prepričajte, da se rezalna oprema ne vrti.

Varnostna navodila za uporabo

Osebna zaščitna oprema



OPOZORILO: Pred uporabo izdelka preberite navodila v povezavi z opozorili v nadaljevanju.

- Osebna zaščitna oprema ne more popolnoma preprečiti poškodb, vendar v primeru nesreče omili posledice. Prodajalec naj vam pomaga izbrati ustrezno opremo.
- Če je moč hrupa višja od 85 dB, uporabljajte zaščitno opremo za sluh.
- Uporabite trpežno obutev, ki ne drsi. Ne bodite bosi ali nosite odprtih čevljev.
- Oblečene imejte trpežne, dolge hlače.
- Po potrebi uporabite zaščitne rokavice, npr. kadar pritrjujete, pregledujete ali čistite rezalno opremo.

Varnostne naprave na izdelku



OPOZORILO: Pred uporabo izdelka preberite navodila v povezavi z opozorili v nadaljevanju.

- Ne uporabljajte izdelka z varnostnimi napravami, ki so poškodovane ali ne delujejo pravilno.
- Redno preverjajte varnostne naprave. Če so varnostne naprave poškodovane ali ne delujejo pravilno, se obrnite na servisnega zastopnika Husqvarna.
- Ne spreminjajte varnostnih naprav.

Preverjanje pokrova rezila

Pokrov rezila zmanjšuje moč vibracij v izdelku in zmanjšuje nevarnost poškodb, katerih vzrok bi lahko bilo rezilo.

- Preglejte pokrov rezila in se prepričajte, da nima poškodb, kot so razpoke.

Preverjanje ročice zavore motorja (LC 551SP, LC 551VQ)

Ročica zavore motorja izklopi motor. Ko je ročica zavore motorja sproščena, se motor ustavi.

- Zaženite motor in nato sprostite ročico zavore motorja. Če se motor ne izklopi v 3 sekundah, peljite izdelek k pooblaščenemu serviserju Husqvarna, da nastavi zavoro motorja. (Sl. 28)

Kontrola nadzora zavore rezila in blokade vžiga (LC 551VBP)

Zavora rezila ustavi samo rezilo, ne motorja. Ko spustite ročico za zavoro rezila, se rezilo ustavi.

1. Zaženite motor.

2. Ročico za zavoro rezila potisnite v smer ročaja. Blokada vžiga ustavi premikanje.
3. Blokado vžiga potisnite ven.
4. Ročico za zavoro rezila potisnite v smer ročaja. Rezilo se začne vrteti.
5. Sprostite ročico zavore rezila. Če se rezilo ne ustavi v 3 sekundah, peljite izdelek k pooblaščenemu serviserju Husqvarna, da nastavi zavoro rezila. (Sl. 29)
6. Blokada vžiga mora vbiti v izhodiščnem položaju.

Dušilnik

Dušilnik zmanjšuje hrup na najnižjo možno raven in pošilja izpušne pline stran od operaterja.

Ne uporabljajte izdelka, če dušilnik manjka ali je poškodovan. Poškodovan dušilnik zviša raven hrupa in poveča nevarnost požara.



OPOZORILO: Dušilnik se med in po uporabi ter med delovanjem motorja v prostem teku močno segreje. V bližini vnetljivih materialov in/ali hlapov bodite previdni, da preprečite požar.

Preverjanje dušilnika

- Dušilnik redno preverjajte in se tako prepričajte, da je pravilno nameščen in ni poškodovan.

Varnost pri delu z gorivom



OPOZORILO: Pred uporabo izdelka preberite navodila v povezavi z opozorili v nadaljevanju.

- Če so na izdelku ostanke goriva ali motornega olja, izdelka ne zaganjajte. Očistite ostanke goriva/olja in počakajte, da se izdelek posuši.
- Če se z gorivom polijete po obleki, se nemudoma preoblecite.
- Pazite, da goriva ne polijete po telesu, saj lahko pride do poškodb. Če gorivo polijete po telesu, se očistite z milom in vodo.
- Če motor pušča, izdelka ne zaganjajte. Redno preverjajte, ali motor pušča.
- Z gorivom ravnajte previdno. Gorivo je vnetljivo, hlapi pa so eksplozivni, zato lahko pride do poškodb ali smrti.
- Ne vdihavajte hlapov goriva, saj lahko pride do poškodb. Zagotovite zadosten pretok zraka.
- V bližini goriva ali motorja ne kadite.
- Vročih predmetov ne postavljajte v bližino goriva ali motorja.
- Goriva ne dolivajte, ko je motor vklopljen.
- Pred dolivanjem goriva se prepričajte, da je motor ohlajen.

- Pred dolivanjem počasi odprite pokrovček posode za gorivo in previdno sprostite pritisak.
- Goriva ne dolivajte v zaprtih prostorih. Nezadosten pretok zraka lahko povzroči poškodbe ali smrt zaradi zadušitve ali zastrupitve z ogljikovim monoksidom.
- Skrbno privijte pokrovček posode za gorivo. Če pokrovček posode za gorivo ni dobro zatesnjen, obstaja nevarnost požara.
- Preden izdelek vklopite, ga premaknite najmanj 3 m/10 čevljev stran od mesta, kjer ste napolnili posodo za gorivo.
- Rezervoar za gorivo ne napolnite do konca. Gorivo se razširi zaradi vročine. Pustite prazen prostor na vrhu rezervoarja za gorivo.
- Preden začnete z vzdrževanjem izdelka, ustavite motor in s svečke odstranite vžigalni kabel.
- Pri vzdrževanju rezalne opreme uporabite zaščitne rokavice. Rezilo je izjemno ostro, zato lahko hitro pride do ureznin.
- Dodatki in spremembe izdelka, ki niso odobrene s strani proizvajalca, lahko vodijo k resnim poškodbam ali celo v smrt. Ne spreminjajte izdelka. Vedno uporabljajte samo dodatke, ki jih je odobril proizvajalec.
- Če izdelka ne vzdržujete pravilno in redno, se poveča nevarnost poškodb osebam in izdelku.
- Vzdrževanje opravite tako, kot piše v teh navodilih za uporabo. Vsakršno drugačno vzdrževanje mora opraviti osebe pooblaščen servisne delavniceHusqvarna.
- Redno dovolite osebju pooblaščen servisne delavnice Husqvarnaizvajati vzdrževalna dela.
- Zamenjajte poškodovane, obrabljene ali zlomljene dele.

Varnostna navodila za vzdrževanje



OPOZORILO: Pred uporabo izdelka preberite navodila v povezavi z opozorili v nadaljevanju.

- Izpušni plini vsebujejo ogljikov monoksid iz motorja, ki je brezbarven, strupen in zelo nevaren plin. Motorja ne vklopite v zaprtih prostorih.

Montaža

Uvod



OPOZORILO: Preden sestavite izdelek morate prebrati in razumeti poglavje o varnosti.



OPOZORILO: Preden sestavite izdelek odklopite kabel vžigalne svečke s svečke.

Montaža ročice

1. Sprostite spodnja gumbna vijaka na levi in desni strani izdelka. Plastična podložka mora biti v ležišču nosilca ročaja. (Sl. 30)
2. Ročaj namestite tako, da bo preklapljen naprej, kot je prikazano na sliki. (Sl. 31)
 - a) Plastična podložka mora biti med ročajem in nosilcem ročaja.
 - b) Ročaj namestite na nosilec ročaja.
3. Dvignite ročaj. (Sl. 32)
4. Popolnoma zategnite gumbne vijake. Za nastavitve višine ročaja glejte *Nastavitev višine ročice na strani 324*.
5. Žične potege vstavite v držala. Žične potege ne smejo biti zvite. Držala za žične potege namestite na ročaja. (Sl. 33)
6. Žične potege pritrдите na ročaj s priloženo kabelsko vezico. (Sl. 34)

Nastavitev višine ročice

1. Sprostite spodnja gumbna vijaka.
2. Gumbna vijaka na levi in desni strani izdelka pomaknite v spodnji del utorov. (Sl. 35)
3. Višino ročice prestavite v 1 od 2 razpoložljivih položajev.
4. Premaknite gumbna vijaka do konca navzgor proti ročaju, da zaslišite klik. (Sl. 36)
5. Popolnoma zategnite gumbne vijake.

Nastavitev kosilnice v transportni položaj

1. Odstranite zbiralnik za travo.
2. Sprostite spodnja gumbna vijaka.
3. Gumbna vijaka na levi in desni strani izdelka pomaknite v spodnji del utorov. (Sl. 35)
4. Ročaj preklpite naprej. (Sl. 37)

Nastavitev kosilnice v delovni položaj

1. Dvignite ročaj. (Sl. 32)
2. Premaknite gumbna vijaka do konca navzgor proti ročaju, da zaslišite klik. (Sl. 36)
3. Popolnoma zategnite gumbne vijake.

Namestitev zbiralnika za travo

1. Ogrodje zbiralnika za travo vstavite v vrečo za travo tako, da je trdi del vrečke na dnu. Ročaj ogrodja zbiralnika za travo mora biti vedno na vrhu. (Sl. 38)
2. Spodnji del ogrodja zbiralnika za travo vstavite na spodnji del zbiralnika za travo. (Sl. 39)
 - a) Okvir zbiralnika za travo potisnite v utor. Začnite na desni strani, kot je prikazano na sliki, in nadaljujte poti levi.
3. Če zbiralnika za travo ni mogoče namestiti z lahkoto, po okvirju zbiralnika za travo na rahlo tolcite z gumijastim kladivom. Po okvirju zbiralnika za travo tolcite med ojačitvami. (Sl. 40)
4. Vrečo za travo namestite na ogrodje zbiralnika za travo in ga pritrdite z sponkami. (Sl. 41)
5. Dvignite zadnji pokrov.
6. Zbiralnik za travo pritrdite na zgornji rob ohišja.
7. Vstavite spodnji del zbiralnika za travo v izpustni kanal za travo. (Sl. 42)

Namestitev vložka za mulčenje (dodatna oprema)

1. Privzdignite zadnji pokrov in odstranite zbiralnik za travo.

2. Vložek za mulčenje vtaknite v izpustni kanal. (Sl. 43)
3. Rezilo zamenjajte z rezilom za mulčenje, priloženo kompletu za mulčenje. Glejte *Zamenjava rezil na strani 327*.

Košnja trave brez nameščena zbiralnika za travo ali vložka za mulčenje

- Privzdignite zadnji pokrov in odstranite zbiralnik za travo.
- Če sta nameščena vložek za mulčenje in rezilo za mulčenje, ju odstranite.
- Pred uporabo izdelka zaprite zadnji pokrov.

Ko uporabljate izdelek, poteka izmet pokošene trave pod zadnjim pokrovom.

Delovanje

Uvod



OPOZORILO: Pred uporabo izdelka morate prebrati in razumeti poglavje o varnosti.

Husqvarna Connect

Husqvarna Connect je brezplačna aplikacija za vašo mobilno napravo. Aplikacija Husqvarna Connect omogoča razširitev funkcij vašega izdelka Husqvarna:

- Dodatne informacije o izdelku.
- Informacije o izdelku, delih in servisu ter pomoč.

Začetek uporabe: Husqvarna Connect

1. V mobilno napravo si prenesite aplikacijo Husqvarna Connect.
2. Registrirajte se v aplikaciji Husqvarna Connect.
3. Za vzpostavitev povezave in registracijo izdelka sledite navodilom v aplikaciji Husqvarna Connect.

Pred uporabo izdelka

1. Natančno preberite navodila za uporabo in se prepričajte, da ste jih razumeli.
2. Preglejte rezalno opremo in se prepričajte, da je pravilno pritrjena in nastavljena. Glejte *Kako pregledati rezalno opremo na strani 327*.

3. Napolnite rezervoar za gorivo. Glejte *Dolivanje goriva na strani 325*.
4. Napolnite rezervoar olja in preverite nivo olja. Glejte *Kako preveriti nivo olja na strani 328*.

Dolivanje goriva

Če je na voljo, uporabite nizkoemisijsko/alkilatno gorivo. Če nizkoemisijsko/alkilatno gorivo ni na voljo, uporabite neosvinčeno gorivo dobre kakovosti ali osvinčeno gorivo, ki ima najmanj 90 oktanov.



POZOR: Ne uporabljajte bencina, ki ima oktansko število nižje od 90 RON (87 AKI). Izdelek se lahko tako poškoduje.

1. Počasi odprite pokrovček posode za gorivo, da sprostite pritisk.
2. Napolnite počasi s posodo za gorivo. Če gorivo polijete, ga pobrišite s krpo in pustite, da se preostalo gorivo posuši. (Sl. 44)
3. Očistite področje okrog pokrovčka posode za gorivo.
4. Skrbno privijte pokrovček posode za gorivo. Če pokrovček posode za gorivo ni dobro zatesnjen, obstaja nevarnost požara.
5. Preden izdelek vklopite, ga premaknite najmanj 3 m (10 čevljev) stran od mesta, kjer ste napolnili posodo za gorivo.

Nastavitev višine košnje

Košnjo lahko nastavite na 6 višin.

1. Višino košnje dvignete tako, da ročico za nastavitev višine reza potisnete proti kolesu in nazaj.
2. Višino košnje spustite tako, da ročico za nastavitev višine reza potisnete proti kolesu in naprej. (Sl. 45)



POZOR: Ne nastavite višino rezanja prenizko. Rezila lahko trčijo ob tla, če površina travnika ni ravna.

Zagon izdelka (LC 551VQ)

1. Prepričajte se, da je vžigalni kabel priklopljen na svečko.
2. Ostanite za izdelkom.
3. Ročico zavore motorja držite ob ročaju. (Sl. 46)
4. Z desno roko držite ročico zaganjalne vrvice.
5. Zaganjalno ročico počasi izvlecite, da začutite nekoliko upora.
6. Močno povlecite, da zaženete motor.

Zagon izdelka (LC 551SP, LC 551VBP)

1. Prepričajte se, da je vžigalni kabel priklopljen na svečko.
2. Ostanite za izdelkom.
3. Nastavite ročico za plin.
 - a) Če je motor hladen, premaknite ročico za plin v položaj plin. (Sl. 47)
 - b) Če je motor topel, ne premaknite ročice za plin v položaj plin.
4. Pri modelu LC 551SP morate ročico zavore motorja držati ob ročaju. (Sl. 46)
5. Z desno roko držite ročico zaganjalne vrvice.
6. Zaganjalno ročico počasi izvlecite, da začutite nekoliko upora.
7. Močno povlecite, da zaženete motor.
8. Uravnavanje plina nastavite na polni plin.
9. Model LC 551VBP:
 - a) Sprostite blokado vžiga.

- b) Ročico za zavoro rezila potisnite v smer ročaja in sprostite rezilo.

O uporabi pogona koles

- Pogonsko ročico potisnite v smer ročaja. (Sl. 48)
- Modela LC 551VQ in LC 551VBP: Z ročico za nadzor hitrosti na levi strani ročaja nastavite hitrost pogona. Ročico za nadzor hitrosti potisnite naprej za zvišanje hitrosti motorja in povlecite nazaj za znižanje hitrosti. (Sl. 49)
- Preden izdelek povlečete vzvratno, sprostite pogonsko ročico in izdelek potisnite naprej približno 10 cm.
- Sprostite pogonsko ročico, da izklopite pogon, npr. ko ste blizu ovire.

Izklop izdelka (LC 551SP, LC 551VQ)

- Če želite izklopiti samo pogon, sprostite pogonsko ročico.
- Če želite izklopiti motor, sprostite ročico zavore motorja.

Zaustavitev izdelka (LC 551VBP)

- Če želite izklopiti samo pogon, sprostite pogonsko ročico.
- Motor zaustavite s ročico za plin prestavite v položaj za zaustavitev.

Kako doseči dober rezultat

- Vedno uporabljajte ostra rezila. Če uporabljate topo rezilo, bo trava pokošena neenakomerno, ob zarezah pa lahko postane tudi rumena. Ostro rezilo prav tako porabi manj energije kot topo rezilo.
- Ne odrežite več kot tretjino dolžine travnih bilk. Najprej kosite z visoko nastavitvijo višine košnje. Preglejte rezultat in nastavite višino košnje na ustrezno višino. Če je trava zelo visoka, vozite počasi in po potrebi kosite dvakrat.
- Vsakič kosite v različnih smereh, da se na travi ne bi pojavile črte.
- Pokrov kosišča mora biti čist. Obloge iz trave in umazanije na notranji strani pokrova kosišča lahko zmanjša učinkovitost košnje. Glejte *Kako očistiti notranjo površino pokrova rezila na strani 327*.

Vzdrževanje

Uvod



OPOZORILO: Pred izvajanjem vzdrževalnih del morate prebrati in razumeti poglavje o varnosti.

Za servisiranje in popravila na izdelku posebno usposabljanje ni potrebno. Zagotavljamo, da vam bodo na voljo strokovna popravila in servisiranje. Če vaš

prodajalec ni pooblaščen serviser, ga povprašajte, kje je naslednja najbližja pooblaščen servisna delavnica.

Za več informacij glejte www.husqvarna.com.

Urnik vzdrževanja



POZOR: Ko izdelek nagibate mora biti zračni filter na zgornji strani in ne sme biti bližje tlam. Nevarnost poškodb motorja.

Izračunani intervali vzdrževanja veljajo za vsakodnevno uporabo izdelka. Intervali se spremenijo, če izdelka ne uporabljate vsakodnevno.

Vzdrževalni posegi, označeni z *, veljajo za navodila v *Varnostne naprave na izdelku na strani 323.*

Vzdrževanje	Dnevno	Tedensko	Mesečno
Opravite splošen pregled	X		
Preverite nivo olja	X		
Izdelek očistite	X		
Preglejte rezalno opremo	X		
Preglejte pokrov rezila *	X		
Preglejte ročico zavore motorja * (LC 551SP, LC 551VQ)	X		
Preglejte ročico zavore rezila * (LC 551VBP)	X		
Preglejte dušilnik *		X	
Preglejte svečko		X	
Zamenjajte olje (prvič po 5 urah uporabe, potem po vsakih 50 urah uporabe in enkrat na leto.)			X
Očistite ali zamenjajte zračni filter			X
Preglejte sistem za gorivo			X

Izvajanje splošnih pregledov

- Prepričajte se, da so vse matice in vijaki na izdelku ustrezno priti.

Čiščenje izdelka

- Plastične dele čistite s čisto in suho krpo.
- Izdelka ne čistite z vodo. Voda lahko vdre v baterijo ali motor in povzroči kratki stik ali poškoduje izdelek.
- Izdelka ne čistite z visokotlačnim čistilnikom.
- Vode ne zlivajte neposredno na motor.
- S krtačo odstranite listje, travo in umazanijo.
- Odstranite pokrov sklopke in s krtačo odstranite travo pod pokrovom sklopke. (LC 551VBP)

Kako očistiti notranjo površino pokrova rezila

1. Izpraznite posodo za gorivo.
2. Izdelek položite na stran tako, da je dušilec na spodnji strani.



POZOR: Če položite izdelek na stran tako, da je na tleh zračni filter, lahko poškodujete motor.

3. Izperite notranjo površino pokrova rezila z vodo.

Kako pregledati rezalno opremo



OPOZORILO: Odstranite vžigalni kabel s svečke, da preprečite naključni vklop motorja.



OPOZORILO: Pri vzdrževanju rezalne opreme uporabite zaščitne rokavice. Rezilo je izjemno ostro, zato lahko hitro pride do ureznin.

1. Preverite, ali je rezalna oprema poškodovana oziroma razpokana. Če je rezalna oprema poškodovana, jo zamenjajte.
2. Preverite, ali je rezilo poškodovano ali topo.

Opomba: Rezilo morate po brušenju postaviti v ravnovesje. Izdelek peljite na servisni center, da rezilo nabrusijo, zamenjajo in uravnovesijo. Če trčite ob oviro in se izdelek ustavi, zamenjajte poškodovano rezilo. Pooblaščen servisna delavnica naj oceni, ali lahko rezilo izostrijo ali pa ga je treba zamenjati.

Zamenjava rezil

1. Rezilo blokirajte z leseno klado. (Sl. 50)
2. Odstranite vijak rezila.
3. Odstranite rezilo.

- Preverite, ali sta nosilec rezila in vijak rezila poškodovana.
- Preglejte, ali je motorna gred zvita.
- Ko pritržite novo rezilo, usmerite nagnjene strani rezila v smer pokrova rezila. (Sl. 51)
- Prepričajte se, da je rezilo poravnano s središčem motorne gredi.
- Rezilo blokirajte z leseno klado. (Sl. 52)
- Namestite rezilo.
 - Model LC 551SP, LC 551VQ: namestite podložko vzemti in privijte vijak in podložko z zateznim momentom 70 Nm.
 - Model LC 551VBP: vijake zategnite z zateznim momentom 50 Nm. (Sl. 53)
- Ročno zavrtite rezilo in se prepričajte, da se prosto obrača.



OPOZORILO: Nosite trpežne rokavice. Rezilo je izjemno ostro, zato lahko hitro pride do poškodb.

- Izdelek vklopite, da preizkusite rezilo. Če rezilo ni pritrjeno pravilno, bo izdelek vibriral, rezultat košnje pa ne bo zadovoljiv.

Kako preveriti nivo olja



POZOR: Če je nivo olja prenizek, se lahko poškoduje motor. Preden zaženete izdelek, preverite nivo olja.

- Izdelek naj bo na ravnih tleh.
- Odstranite pokrov rezervoarja olja s priloženo merilno palico.
- Z merilne palice očistite olje.
- Merilno palico vstavite do konca v rezervoar olja. Privijte pokrovček posode za olje, da zagotovite pravilno sliko nivoja olja.
- Odstranite merilno palico.
- Na merilni palici preučite nivo olja.
- Če je nivo olja nizek, dolijte motorno olje in še enkrat preverite nivo olja.

(Sl. 54)

Opomba: Uporabite lijak, da preprečite razlitje.

Zamenjava motornega olja



OPOZORILO: Tik po zaustavitvi motorja je motorno olje zelo vroče. Preden iztočite motorno olje, se motor mora ohladiti. Če polijete motorno olje po koži, se umijte z milom in vodo.

(Sl. 55)

- S svečke odstranite vžigalni kabel.
- Odstranite pokrovček posode za olje.
- Odtočite motorno olje.
 - Pri modelih z vijakom za izpust olja: Pod vijak za izpust olja postavite posodo, kamor se bo izteklo motorno olje.
 - Pri modelih brez vijaka za izpust olja oziroma če posode ni mogoče namestiti pod vijak za izpust olja: Uporabite oljno črpalko (dodatna oprema), da se olje izteče iz posode za olje.
- Dolijte novo motorno olje, priporočila najdete v *Tehnični podatki na strani 329*.
- Preverite nivo olja. Glejte *Kako preveriti nivo olja na strani 328*.

Dolivanje in zamenjava motornega olja

- Za informacije o načinu dolivanja in zamenjave motornega olja glejte navodila za uporabo motorja.

Čiščenje in zamenjava zračnega filtra (LC 5551SP, LC 551VBP)

- Za informacije o načinu čiščenja in zamenjave zračnega filtra glejte navodila proizvajalca motorja.

Čiščenje in pregled zračnega filtra (LC 551VQ)



OPOZORILO: Uporabljajte zaščitne rokavice.

- Potisnite objemke na pokrovu zračnega filtra.
- Previdno odstranite pokrov zračnega filtra (A) z motorja.
- Odstranite zračni filter (B) in filter iz pene (C). (Sl. 56)
- Preverite, ali je zračni filter poškodovan. Če je zračni filter poškodovan, ga zamenjajte.
- Očistite in pregledajte zračni filter. Glejte *Čiščenje zračnega filtra (LC 551VQ) na strani 328*.
- Namestitev poteka v obratnem vrstnem redu.

Čiščenje zračnega filtra (LC 551VQ)



POZOR: Motor ne sme delovati brez nameščenega zračnega filtra ali če je zračni filter umazan.



POZOR: Če zračnega filtra ni mogoče v celoti očistiti ali je poškodovan, ga zamenjajte. Poškodovan zračni filter poškoduje motor.

1. Potisnite zaklepna jezička (A), odstranite pokrov zračnega filtra (B) in izvlecite zračni filter (C). (Sl. 57)
2. Zračni filter udarite ob trdo površino ali skozi njega spihajte stisnjeni zrak s čiste strani.



POZOR: Filtra ne čistite s krtačenjem, saj tako umazanijo le vtirate.

3. Očistite nosilec zračnega filtra (D) in pokrov zračnega filtra očistite z vlažno krpo.



POZOR: Prepričajte se, da v zračno cev (E) ne prihaja umazanija.

4. Namestite zračni filter. Prepričajte se, da se zračni filter tesno prilega nosilcu zračnega filtra.
5. Zračni filter namestite tako, da najprej vstavite spodnje jezičke.

Pregled svečke



POZOR: Vedno uporabljajte priporočeno vrsto svečke. Zaradi neustrezne vrste vžigalne svečke se izdelek lahko poškoduje.

- Če se moč motorja zmanjša, motorja ni mogoče enostavno zagnati ali ta ne deluje ustrezno v prostem teku, preglejte vžigalno svečko.
- Tveganje za pojav oblog na elektrodah vžigalne svečke lahko zmanjšate tako, da upoštevate ta navodila:

- a) Hitrost prostega teka mora biti pravilno nastavljena.
 - b) Mešanica goriva mora biti ustrezna.
 - c) Zračni filter mora biti čist.
- Če je vžigalna svečka umazana, jo očistite in zagotovite, da je razmak med elektrodama ustrezen; glejte *Tehnični podatki na strani 329*. (Sl. 58)
 - Vžigalno svečko po potrebi zamenjajte.

Kako pregledati sistem za gorivo

- Preverite, ali sta pokrov rezervoarja za gorivo in tesnilo pokrova rezervoarja za gorivo poškodovana.
- Preverite, ali cev za gorivo pušča. Če je cev za gorivo poškodovana, naj jo pooblaščen servisna delavnica zamenja.

Nastavitev hitrosti in plina

Z ročico za nastavitev hitrosti uravnavate hitrost pogona. Z ročico za plin uravnavate število vrtljajev motorja.



POZOR: Ne prestavljajte ročice za nastavitev hitrosti, ko je motor vklopljen.

1. Za nastavitev hitrosti pogona obračajte nastavitveni vijak (A) in tako prilagajajte dolžino izolacije žične potege. Hitrost povišate s skrajševanjem izolacije žične potege.
2. Če ni mogoče nastaviti položaja za nastavitev čoka ali položaja za zaustavitev, prilagodite št. vrt. motorja. Obračajte nastavitveni vijak (B). (Sl. 59)

Transport skladiščenje in odstranitev

Prevoz in skladiščenje

- Preden prevažate in skladiščite izdelek in gorivo, se prepričajte, da izdelek ne pušča in da ni hlapov. Iskre ali odprti plamen, npr. z električnih naprav ali kotlov, lahko zanetijo ogenj.
- Za prevoz in skladiščenje goriva vedno uporabite odobrene posode.
- Preden izdelek skladiščite za daljše obdobje, izpraznite rezervoar za gorivo. Gorivo zavržite na temu primernem zbirnem mestu.
- Izdelek varno pritrdite na prevozno sredstvo, da se izognete poškodbam in nesrečam.
- Izdelek skladiščite v zaklenjenem prostoru, tako da otroci ali osebe, ki niso primerne za rokovanje z izdelkom, do izdelka ne morajo dostopati.

- Izdelek skladiščite na suhem mestu, kjer ne zmrzuje.

Odstranitev

- Upoštevajte lokalne zahteve za recikliranje in ustrezne predpise.
- Vse kemikalije, kot so motorno olje ali gorivo, zavržite na servisnem centru ali na kakšni drugi temu primerni lokaciji.
- Ko izdelka ne uporabljate več, ga pošljite k prodajalcu Husqvarna ali pa ga zavržite na mestu za recikliranje.

Tehnični podatki

	LC 551SP	LC 551VBP	LC 551VQ
Motor			

	LC 551SP	LC 551VBP	LC 551VQ
Znamka	Kawasaki	Kawasaki	Husqvarna
Model	FJ180V	FJ180V	HS 166AP
Tip motorja	Enojni valj, 4-taktni, prislilno hlajenje z zrakom, OHV	Enojni valj, 4-taktni, prislilno hlajenje z zrakom, OHV	Enojni valj, 4-taktni, prislilno hlajenje z zrakom, OHV
Prostornina, cm ³	179	179	166
Hitrost v vrt./min	2800	2800	2800
Nazivna izhodna moč motorja v kW ¹¹⁶	2,9	2,9	2,7
Vžigalni sistem			
Svečka	NGK BPR5ES	NGK BPR5ES	Husqvarna HQT-7
Razmak med elektrodama, mm	0,6–0,8	0,6–0,8	0,7-0,8
Sistem za gorivo in mazanje			
Vrsta maziva za motor	Tlak z oljnim filtrom	Tlak z oljnim filtrom	Pršenje
Prostornina posode za gorivo, l	1,9	1,9	1,5
Prostornina posode za olje, l	0,7	0,7	0,5
Motorno olje ¹¹⁷	Husqvarna SAE 30	Husqvarna SAE 30	Husqvarna SAE 30
Teža			
S praznimi rezervoarji v kg	48,5	52,5	51,0
Emisije hrupa ¹¹⁸			
Raven zvočne moči, izmerjena v dB (A)	97	96	97
Raven zvočne moči, zajamčena L _{WA} v dB(A)	98	98	98
Nivoji hrupa ¹¹⁹			
Nivo zvočnega tlaka pri ušesu operaterja, dB(A)	87	84	86
Ravni vibracij ¹²⁰			
Ročaj, m/s ²	4,5	4,5	3,2
Rezalna oprema			
Višina reza v mm	26–74	26–74	26–74

¹¹⁶ Navedena vrednost moči stroja je povprečni skupni izhod (pri določenem številu vrtljajev na minuto) običajnega proizvodnega stroja za model stroja, izmerjen po standardu SAE J1349/ISO1585. Stroji masovne proizvodnje imajo lahko drugačno vrednost. Dejanska moč izdelka, nameščenega na končni napravi, je odvisna od delovne hitrosti, okoljskih pogojev in drugih vrednosti.

¹¹⁷ Če olje SAE-30 uporabljate pri temperaturah, nižjih od 5 °C, obstaja nevarnost, da motor ne bo dovolj namazan. Ob tem lahko pride do poškodb motorja. Glejte, *Zamenjava motornega olja na strani 328* če želite ugotoviti, katero olje je primerno za nizke temperature.

¹¹⁸ Emisije hrupa v okolje, merjene kot moč zvoka (L_{WA}), v skladu z direktivo ES 2000/14/ES.

¹¹⁹ Nivo zvočnega tlaka v skladu s standardom ISO 5395. Zabeleženi podatki za nivo zvočnega tlaka imajo tipično statistično razpršitev (standardni odklon) 1,2 dB (A).

¹²⁰ Raven vibracij v skladu s standardom ISO 5395. Zabeleženi podatki za raven vibracij imajo tipično statistično razpršitev (standardni odklon) 0,2 m/s².

	LC 551SP	LC 551VBP	LC 551VQ
Širina rezanja, mm	510	510	510
Rezilo	Skupno	Skupno	Skupno
Številka izdelka	5875908-10	5821494-10	5875908-10
Kapaciteta zbiralnika za travo, l	65	65	65
Pogon			
Hitrost v km/h	4,1	2,8-5	2,8-5

Izjava o skladnosti

Izjava EU o skladnosti

Mi, **Husqvarna AB**, SE--561 82 Huskvarna, Švedska,
tel.: +46-36-146500, izjavljamo na lastno odgovornost,
da je izdelek:

Opis	Vrtna kosilnica
Znamka	Husqvarna
Vrsta/model	LC 551SP, LC 551VBP, LC 551VQ
Identifikacija	Serijske številke od letnika 2022 dalje

v celoti skladen z naslednjimi direktivami in uredbami
EU:

Uredba	Opis
2006/42/ES	"o strojih"
2014/30/EU	"o elektromagnetni združljivosti"
2000/14/EC	"o emisijah hrupa v okolico"
2011/65/EU	"o omejevanju uporabe nekaterih nevarnih snovi v električni in elektronski opremi"

in so pri tem v veljavi naslednji standardi in/ali tehnične
specifikacije: EN ISO 5395-1:2013/A1:2018, EN ISO
5395-2:2013/A1:2016/A2:2017, EN ISO 14982:2009, EN
IEC 63000:2018

Priglašeni organ: 0404, RISE SMP Svensk
Maskinprovning AB, Box 4053, SE-904 03 Umeå,
Sweden, je potrdil skladnost z direktivo Sveta
2000/14/ES, postopki ugotavljanja skladnosti: Priloga VI.

Za informacije v zvezi z emisijami hrupa glejte poglavje
Tehnični podatki na strani 329.

Huskvarna, 2022-09-29



Claes Losdal, Vodja oddelka za razvoj vrtno opreme,
Husqvarna AB

Odgovorni za tehnično dokumentacijo



Sadržaj

Uvod.....	333	Održavanje.....	340
Bezbednost.....	334	Transport, skladištenje i odlaganje.....	343
Sklapanje.....	337	Tehnički podaci.....	343
Rukovanje.....	338	Deklaracija o usaglašenosti.....	345

Uvod

Opis proizvoda

Proizvod je rotaciona kosačica koju kontroliše rukovalac. Trava se sakuplja u hvatač trave. Uklonite hvatač trave kako biste omogućili pražnjenje trave na zadnjoj strani. Postavite komplet za usitnjavanje (oprema) za košenje trave u đubrivo.

Pregled proizvoda

(Sl. 1)

1. Ručica kočnice motora
2. Ručka/upravljač
3. Kontrola brzine
4. Pritiskivač pogona
5. Ručica užeta startera
6. Hvatač trave
7. Podešavanje visine ručice
8. Komanda visine košenja

Pregled proizvoda

(Sl. 2)

1. Ručka/upravljač
2. Komanda kočnice noža (LC 551VBP)
3. Komanda brzine / komanda gasa (LC 551VBP)
4. Pritiskivač pogona (LC 551VBP)
5. Inhibitor pokretanja (LC 551VBP)
6. Ručica užeta startera
7. Hvatač trave
8. Podešavanje visine ručice
9. Komanda visine košenja
10. Šipka za merenje / rezervoar za ulje
11. Poklopac košenja
12. Prigušivač
13. Svećica
14. Filter za vazduh
15. Rezervoar za gorivo
16. Zadnji poklopac
17. Ručica kočnice motora (LC 551SP)
18. Komanda gasa (LC 551SP)
19. Pritiskivač pogona (LC 551SP)
20. Uputstvo za rukovaoca

Namena

Koristite proizvod za košenje trave. Nemojte koristiti proizvod za druge zadatke.

9. Šipka za merenje / rezervoar za ulje
10. Poklopac košenja
11. Prigušivač
12. Svećica
13. Filter za vazduh
14. Rezervoar za gorivo
15. Zadnji poklopac
16. Uputstvo za rukovaoca

Simboli na proizvodu

- (Sl. 3) Nepažljiva ili nepravilna upotreba može dovesti do povrede ili smrti rukovaoca ili osoba u blizini.
- (Sl. 4) Pre korišćenja pažljivo pročitajte korisničko uputstvo i uverite se da razumete njegov sadržaj.
- (Sl. 5) Pazite da ljudi i životinje budu na bezbednoj udaljenosti od radnog područja.
- (Sl. 6) Zaustavite motor i uklonite kabl za paljenje pre popravki i održavanja.
- (Sl. 7) Ulje
- (Sl. 8) Brzo
- (Sl. 9) Sporo
- (Sl. 10) Zaustavite motor

- (Sl. 11) Čok
- (Sl. 12) Kvačilo noža
- (Sl. 13) Pazite na odbačene predmete i odskakivanja.
- (Sl. 14) Udaljite šake i stopala od rotirajućeg noža.
- (Sl. 15) Ne približavajte šake i stopala rotirajućim delovima.
- (Sl. 16) Proizvod je usaglašen sa važećim direktivama EU.
- (Sl. 17) Proizvod je usaglašen sa važećim direktivama UK.
- (Sl. 18) Oznaka emisije buke u okruženje u skladu sa direktivama i propisima EU i UK i propisom o zaštiti radova u okruženju (kontrola buke) Novog Južnog Velsa iz 2017. Garantovani nivo zvučne snage za ovaj proizvod naveden je u *Tehnički podaci na stranici 343* i na nalepnici
- (Sl. 19) Izduvni gasovi iz motora sadrže ugljen-monoksid, otrovan i veoma opasan gas bez mirisa. Nemojte puštati proizvod u rad u zatvorenim prostorima.
- (Sl. 20) Nemojte puštati proizvod u rad u zatvorenim prostorima.
- (Sl. 21) Rizik od eksplozije.
- (Sl. 22) Vruća površina

- (Sl. 23) Motor se isporučuje bez ulja.
- (Sl. 24) Napunite uljem pre upotrebe proizvoda.
- (Sl. 25) Ne koristite gorivo E85.
- (Sl. 26) Držite proizvod dalje od otvorenog plamena.
- (Sl. 27) Kôd koji se može skenirati.

Napomena: Ostali simboli/nalepnice koji su navedeni na proizvodu odnose se na pravne zahteve specifične za tržište.

Emisije Euro V.



UPOZORENJE: Neovlašćene prepravke motora poništavaju EU tip odobrenja za ovaj proizvod.

Odgovornost za proizvod

Kako je izloženo u zakonima o odgovornosti za proizvode, mi nismo odgovorni za oštećenja prouzrokovana našim proizvodom u sledećim slučajevima:

- proizvod je popravljen na pogrešan način
- proizvod je popravljen korišćenjem delova koji nisu napravljeni ili odobreni od strane proizvođača
- proizvod ima opremu koja ne potiče ili nije odobrena od strane proizvođača
- proizvod nije popravljen u ovlašćenom servisnom centru ili od strane ovlašćenog stručnjaka

Bezbednost

Bezbednosne definicije

Upozorenja, mere opreza i napomene se koriste da ukažu na naročito važne delove korisničkog uputstva.



UPOZORENJE: Koristi se ako, usled nepoštovanja uputstava, postoji rizik od nastanka telesnih povreda ili smrti kod rukovaoca ili prisutnih osoba.



OPREZ: Koristi se ako, usled nepoštovanja uputstava, postoji rizik od nastanka oštećenja na proizvodu, drugim materijalima ili susednim oblastima.

Napomena: Koristi se za pružanje više informacija koje su neophodne u datoj situaciji.

Opšta bezbednosna uputstva



UPOZORENJE: Pročitajte upozoravajuća uputstva koja slede pre korišćenja proizvoda.

- Proizvod je opasan ako se koristi na nepravilan način ili ako niste oprezni. Može doći do telesne povrede ili smrti ako se ne pridržavate bezbednosnih uputstava.
- Ovaj proizvod pri radu stvara elektromagnetno polje. Ovo polje u određenim uslovima može da izazove smetnje na aktivnim i pasivnim medicinskim

implantatima. U cilju smanjenja rizika od uslova nastanka teških ili smrtnih telesnih povreda, preporučujemo osobama koje imaju medicinske implantate da se pre upotrebe ovog proizvoda konsultuju sa lekarom ili proizvođačem implantata.

- Uvek budite pažljivi i koristite zdrav razum. Ako niste sigurni kako da rukujete proizvodom u određenoj situaciji, prekinite rad i obratite se Husqvarna prodavcu pre nastavka rada.
- Imajte na umu da će se rukovalac smatrati odgovornim za nesrećne slučajeve koji uključuju druge osobe ili njihovu imovinu.
- Održavajte proizvod čistim. Pobrinite se da jasno možete pročitati znakove i nalepnice.
- Nemojte dozvoliti da druga osoba koristi proizvod osim ako se niste uverili da je pročitala i razumela sadržaj korisničkog uputstva.
- Nemojte dozvoliti da dete rukuje proizvodom.
- Vodite računa o tome da deca ne budu u radnom području. Odgovorna odrasla osoba mora biti prisutna sve vreme.
- Nemojte dozvoliti da osoba, bez znanja u pogledu uputstava, rukuje proizvodom.
- Uvek nadzirajte osobu sa smanjenim fizičkim ili mentalnim sposobnostima koja koristi proizvod. Odgovorna odrasla osoba mora biti prisutna sve vreme.
- Nemojte da koristite proizvod kada ste umorni, bolesni ili pod uticajem alkohola, droge ili lekova. To ima negativan uticaj na vašu moć vida, opreznost, koordinaciju i rasuđivanje.
- Nemojte da koristite proizvod ako je pokvaren.
- Nemojte vršiti izmene na proizvodu i nemojte koristiti proizvod ako postoji mogućnost da su druge osobe vršile izmene na njemu.
- Nemojte da menjate podešavanje za kontrolu brzine motora.

Bezbednost u oblasti rada



UPOZORENJE: Pročitajte upozoravajuća uputstva koja slede pre korišćenja proizvoda.

- Uklonite predmete kao što su grane, grančice i kamenje iz radnog područja pre nego što počnete da koristite proizvod.
- Predmeti koji udare o opremu za košenje mogu da budu izbačeni i izazovu povredu osoba ili oštećenje predmeta. Pazite da prisutne osobe i životinje budu na bezbednoj udaljenosti od proizvoda.
- Nikada nemojte koristiti proizvod u lošim vremenskim uslovima kao što su magla, kiša, jak vetar, intenzivna hladnoća i kada postoji opasnost od pojave munja. Korišćenje proizvoda u lošim vremenskim uslovima ili na vlažnim lokacijama je zamorno. Loši vremenski uslovi mogu da izazovu opasne okolnosti, kao što su klizave površine.

- Vodite računa o osobama, predmetima i situacijama koji bi mogli da spreče bezbedan rad proizvoda.
- Pazite na prepreke, kao što su korenje, kamenje, grančice, jame i jarci. Visoka trava može da sakrije prepreke.
- Košenje trave na nagibima može biti opasno. Nemojte koristiti proizvod na terenu koji ima nagib veći od 15°.
- Rukujte proizvodom preko prednjih strana nagiba. Nemojte ga pomerati gore i dole.
- Budite pažljivi kada se približavate skrivenim uglovima i predmetima koji bi mogli da blokiraju vaš vidik.

Bezbednost na radu



UPOZORENJE: Pročitajte upozoravajuća uputstva koja slede pre korišćenja proizvoda.

- Koristite ovaj proizvod samo za košenje travnjaka. Nije dozvoljeno njegovo korišćenje za druge zadatke.
- Koristite ličnu zaštitnu opremu. Pogledajte *Lična zaštitna oprema na stranici 336*.
- Naučite kako da brzo zaustavite motor u slučaju opasnosti.
- Nemojte da pokrećete motor u zatvorenom prostoru ili blizu zapaljivih materijala. Izduvni gasovi motora su vrelli i mogu da sadrže varnice, što može izazvati požar.
- Nemojte raditi sa proizvodom ako sečivo i svi poklopci nisu pravilno postavljeni. Nepravilno postavljeno sečivo se može otkaçiti i prouzrokovati telesnu povredu.
- Pobrinite se da sečivo ne udara o predmete kao što su kamenje ili korenje. To može dovesti do oštećenja noža i savijanja osovine motora. Savijena osovina proizvodi velike vibracije i postoji povećana opasnost da se sečivo olabavi.
- Ako sečivo udari o predmet ili ako se pojave vibracije, odmah zaustavite proizvod. Uklonite kabl za paljenje sa svećice. Pregledajte proizvod u pogledu oštećenja. Otklonite oštećenja ili dozvolite ovlašćenom servisnom agentu da izvrši popravku.
- Nemojte postavljati ručicu kočnice motora trajno na ručku kada je motor pokrenut.
- Postavite proizvod na stabilnu, ravnu površinu i pokrenite ga. Vodite računa da sečivo ne dodiruje tlo ili druge predmete.
- Uvek stojte iza proizvoda kada radite sa njim.
- Vodite računa da svi točkici ostanu na tlu i držite dve ruke na ručki kada rukujete proizvodom. Udaljite šake i stopala od rotirajućih sečiva.
- Nemojte naginjati proizvod kada je motor pokrenut.
- Budite pažljivi kada povlačite proizvod unazad.
- Nikada nemojte podizati proizvod kada je motor pokrenut. Ako morate da podignete proizvod, prvo isključite motor i odvojte kabl za paljenje sa svećice.

- Nemojte hodati unazad kada radite sa proizvodom.
- Zaustavite motor kada se krećete preko područja bez trave, na primer, stazica napravljenih od šljunka, kamena i asfalta.
- Ne trčite sa proizvodom ako mu radi motor. Uvek hodajte kada radite sa proizvodom.
- Zaustavite motor pre nego što promenite visinu košenja. Nikada nemojte da vršite podešavanja dok je motor pokrenut.
- Nikada nemojte dozvoliti da proizvod ostane bez nadzora dok je motor pokrenut. Zaustavite motor i uverite se da se oprema za košenje ne okreće.

Bezbednosna uputstva za rad

Lična zaštitna oprema



UPOZORENJE: Pročitajte upozoravajuća uputstva koja slede pre korišćenja proizvoda.

- Lična zaštitna oprema ne može da u potpunosti spreči telesnu povredu, ali ona umanjuje stepen telesne povrede ako dođe do nesrećnog slučaja. Neka vam vaš prodavac pomogne u izboru odgovarajuće opreme.
- Koristite zaštitu za uši ako je nivo buke iznad 85 dB.
- Nosite čvrste neklizajuće cizme ili cipele. Nemojte nositi obuću sa otvorenim prstima ili ići bosonogi.
- Uvek nosite duge pantalone od čvrstog materijala.
- Nosite zaštitne rukavice po potrebi, na primer, kada pričvršćujete, pregledate ili čistite opremu za košenje.

Bezbednosni uređaji na proizvodu



UPOZORENJE: Pročitajte upozoravajuća uputstva koja slede pre korišćenja proizvoda.

- Nemojte da koristite bezbednosne uređaje koji su oštećeni ili neispravni.
- Redovno proveravajte bezbednosne uređaje. Ako su bezbednosni uređaji oštećeni ili neispravni, obratite se svom Husqvarna servisnim agentu.
- Nemojte vršiti izmene na bezbednosnim uređajima.

Provera poklopca mehanizma za košenje

Poklopac mehanizma za košenje smanjuje vibracije u proizvodu, kao i rizik od povrede nožem.

- Pregledajte poklopac košenja kako biste se uverili da nema oštećenja kao što su naprsline.

Provera ručice kočnice motora (LC 551SP, LC 551VQ)

Ručica kočnice motora zaustavlja motor. Kada je ručica kočnice motora otpuštena, motor se zaustavlja.

- Pokrenite motor, a zatim otpustite ručicu kočnice motora. Ako se motor ne zaustavi u roku od 3 sekunde, neka ovlašćeni Husqvarna serviser izvrši podešavanje kočnice motora. (Sl. 28)

Provera komande kočnice noža i inhibitora pokretanja (LC 551VBP)

Komanda kočnice noža zaustavlja samo nož, ne i motor. Kada je komanda kočnice noža otpuštena, nož se zaustavlja.

1. Pokrenite motor.
2. Pritisnite komandu kočnice noža ka ručki. Inhibitor pokretanja zaustavlja kretanje.
3. Pritisnite inhibitor pokretanja ka spolja.
4. Pritisnite komandu kočnice noža ka ručki. Nož počinje da rotira.
5. Spustite komandu kočnice noža. Ako se nož ne zaustavi u roku od 3 sekunde, neka ovlašćeni Husqvarna serviser izvrši podešavanje kočnice noža. (Sl. 29)
6. Uverite se da se inhibitor pokretanja vraća u početni položaj.

Prigušivač

Prigušivač održava nivo buke na minimumu i šalje izduvne gasove od rukovaoca.

Ne koristite proizvod ako prigušivač nedostaje ili je oštećen. Oštećeni prigušivač povećava nivo buke i rizik od požara.



UPOZORENJE: Prigušivač postaje veoma vruć tokom i nakon korišćenja i kada motor radi pri brzini praznog hoda. Budite pažljivi u blizini zapaljivih materijala i/ili isparenja kako biste sprečili požar.

Da biste proverili prigušivač

- Redovno proveravajte prigušivač kako biste se uverili da je ispravno postavljen i da nije oštećen.

Bezbednost oko goriva



UPOZORENJE: Pročitajte upozoravajuća uputstva koja slede pre korišćenja proizvoda.

- Nemojte pokretati proizvod ako na njemu postoje tragovi goriva ili motornog ulja. Uklonite neželjeno gorivo/ulje i sačekajte da se proizvod osuši.
- Ako prospete gorivo na odeću, odmah je presvucite.
- Nemojte dozvoliti da gorivo dospe na vaše telo, ono može izazvati telesnu povredu. Ako vam gorivo dospe na telo, uklonite ga vodom i sapunom.
- Nemojte pokretati proizvod ako postoji curenje iz motora. Redovno proveravajte da li postoji curenje iz motora.

- Budite oprezni pri rukovanju gorivom. Gorivo je zapaljivo a isparenja su eksplozivna i mogu izazvati telesne povrede ili smrt.
- Nemojte udisati isparenja goriva, to može izazvati telesnu povredu. Pobrinite se da ima dovoljno protoka vazduha.
- Nemojte pušiti u blizini goriva ili motora.
- Nemojte stavljati vruće predmete blizu goriva ili motora.
- Nemojte dolivati gorivo kada motor radi.
- Uverite se da je motor hladan pre dopunjavanja goriva.
- Pre dopunjavanja goriva, lagano otvorite poklopac rezervoara za gorivo i pažljivo otpustite pritisak.
- Nemojte dolivati gorivo u motor u zatvorenom prostoru. Nedovoljan protok vazduha može izazvati telesnu povredu ili smrt usled gušenja ili prisustva ugljen-monoksida.
- Do kraja zategnite čep rezervoara za gorivo. Ako čep rezervoara za gorivo nije zategnut, postoji opasnost od požara.
- Izmaknite proizvod bar 3 m / 10 stopa od mesta na kojem ste napunili rezervoar pre pokretanja.
- Ne punite rezervoar za gorivo do vrha. Toplota izaziva širenje goriva. Ostavite prazan prostor na vrhu rezervoara za gorivo.
- Izduvni gasovi iz motora sadrže ugljen-monoksid, otrovan i veoma opasan gas bez mirisa. Nemojte puštati motor u rad u zatvorenim prostorima.
- Pre održavanja proizvoda zaustavite motor i uklonite kabl za paljenje sa svećice.
- Nosite zaštitne rukavice kada vršite održavanje na opremi za košenje. Sečivo je veoma oštro i lako dolazi do posekotina.
- Oprema i izmene na proizvodu koji nisu odobreni od strane proizvođača mogu da izazovu teške telesne povrede ili smrt. Nemojte vršiti izmene na proizvodu. Koristite samo delove koje je odobrio proizvođač.
- Ako se održavanje ne vrši na ispravan način i redovno, raste rizik od telesnih povreda i oštećenja proizvoda.
- Vršite samo održavanje opisana u ovom korisničkom uputstvu. Ostalo servisiranje mora da obavlja ovlašćeni Husqvarna serviser.
- Neka ovlašćeni Husqvarna servisni agent redovno vrši servisiranje proizvoda.
- Zamenite oštećene, pohabane ili pokvarene delove.

Bezbednosna uputstva za održavanje



UPOZORENJE: Pročitajte upozoravajuća uputstva koja slede pre korišćenja proizvoda.

Sklanjanje

Uvod



UPOZORENJE: Pre sklanjanja proizvoda, morate pročitati i razumeti poglavlje o bezbednosti.



UPOZORENJE: Uklonite kabl svećice sa svećice pre sklanjanja proizvoda.

Sklanjanje ručke

1. Otpustite donje točkice sa leve i desne strane proizvoda. Uverite se da je plastična podloška u žlebu nosača drške. (Sl. 30)
2. Postavite dršku sklopljenu ka napred, kao što je prikazano na ilustraciji. (Sl. 31)
 - a) Uverite se da je plastična podloška između drške i nosača drške.
 - b) Postavite dršku na nosač drške.
3. Podignite dršku. (Sl. 32)

4. Potpuno zategnite dugmad. Da biste podesili visinu ručke, pogledajte *Podešavanje visine ručke na stranici 337*.
5. Stavite kablove u nosače kablova. Uverite se da kablovi nisu uvrnuti. Postavite nosače kablova na dršku. (Sl. 33)
6. Postavite vezicu kabla da pričvrstite kablove na nosač na ručki. (Sl. 34)

Podešavanje visine ručke

1. Olabavite donju dugmad.
2. Pomerite dugmad u donji kraj žlebova na levoj i desnoj strani proizvoda. (Sl. 35)
3. Postavite ručku u 1 od 2 dostupna položaja.
4. Pomerite dugmad nagore u smeru ručke dok se ne zaustave i ne čujete klik. (Sl. 36)
5. Potpuno zategnite dugmad.

Stavljanje proizvoda u položaj za transport

1. Uklonite hvatač trave.
2. Olabavite donju dugmad.
3. Pomerite dugmad u donji kraj žlebova na levoj i desnoj strani proizvoda. (Sl. 35)
4. Sklopite ručku unapred. (Sl. 37)

Stavljanje proizvoda u položaj za rad

1. Podignite dršku. (Sl. 32)
2. Pomerite dugmad nagore u smeru ručke dok se ne zaustave i ne čujete klik. (Sl. 36)
3. Potpuno zategnite dugmad.

Sklopanje hvatača trave

1. Postavite ram hvatača trave na vreću za travu tako da krut deo vreće bude na dnu. Ručica rama treba da bude na vrhu vreće za travu. (Sl. 38)
2. Postavite donji deo rama hvatača trave na dno torbe za travu. (Sl. 39)
 - a) Gurnite okvir hvatača trave u žleb. Počnite sa desne strane, kao na ilustraciji, i postepeno se pomerajte ulevo.
3. Ako se okvir hvatača trave teško postavlja, pažljivo ga lupnite gumenim čekićem. Udarajte u okvir hvatača trave između ojačanja. (Sl. 40)

4. Pričvrstite okvir vreće za travu spojnicama. (Sl. 41)
5. Podignite zadnji poklopac.
6. Pričvrstite hvatač trave na gornju ivicu šasije.
7. Stavite donji deo hvatača trave u kanal sa izbacivanjem trave. (Sl. 42)

Postavljanje zatvarača za usitnjavanje (dodatak)

1. Podignite zadnji poklopac i uklonite hvatač trave.
2. Postavite zatvarač za usitnjavanje u kanal za izbacivanje trave. (Sl. 43)
3. Zamenite nož nožem za usitnjavanje iz kompleta za usitnjavanje. Pogledajte *Zamena noža na stranici 341*.

Košenje trave bez hvatača trave i zatvarača za usitnjavanje

- Podignite zadnji poklopac i uklonite hvatač trave.
- Ako su postavljeni zatvarač za usitnjavanje i nož za usitnjavanje, uklonite ih.
- Zatvorite zadnji poklopac pre rada proizvodom.

Kad koristite proizvod, pokošena trava se izbacuje ispod zadnjeg poklopca.

Rukovanje

Uvod



UPOZORENJE: Pre rada sa proizvodom, morate pročitati i razumeti poglavlje o bezbednosti.

Husqvarna Connect

Husqvarna Connect je besplatna aplikacija za mobilne uređaje. Aplikacija Husqvarna Connect pruža proširene funkcije za proizvod Husqvarna:

- Dodatne informacije o proizvodu.
- Informacije o delovima proizvoda i servisiranju i pomoći u vezi s njima.

Da biste počeli koristiti Husqvarna Connect

1. Preuzmite aplikaciju Husqvarna Connect na svoj mobilni uređaj.
2. Registrujte se u aplikaciji Husqvarna Connect.
3. Pratite uputstva u aplikaciji Husqvarna Connect da biste se spojili i registrovali proizvod.

Pre rada sa proizvodom

1. Pažljivo pročitajte korisničko uputstvo i budite sigurni da razumete njegov sadržaj.
2. Pregledajte opremu za košenje i uverite se da je pravilno postavljena i podešena. Pogledajte *Pregled opreme za košenje na stranici 341*.
3. Napunite rezervoar za gorivo. Pogledajte *Dosipanje goriva na stranici 338*.
4. Napunite rezervoar za ulje i proverite nivo ulja. Pogledajte *Provera nivoa ulja na stranici 341*.

Dosipanje goriva

Ako je dostupan, koristite alkilatni benzin / benzin koji proizvodi manju količinu štetnih izduvnih gasova. Ako vam nije dostupan alkilatni benzin / benzin koji proizvodi manju količinu štetnih izduvnih gasova, koristite bezolovni benzin ili benzin sa olomom čiji oktanski broj nije manji od 90.



OPREZ: Nemojte koristiti benzin sa oktanskim brojem manjim od 90 RON (87 AKI). To može prouzrokovati oštećenje proizvoda.

- Polako otvorite čep rezervoara za gorivo da biste izjednačili pritisak.
- Polako napunite iz kanistera za gorivo. Ako prospete gorivo, obrišite ga krpom i sačekajte da se preostalo gorivo osuši. (Sl. 44)
- Obrišite deo oko čepa rezervoara za gorivo.
- Do kraja zategnite čep rezervoara za gorivo. Ako čep rezervoara za gorivo nije zategnut, postoji opasnost od požara.
- Izmaknite proizvod bar 3 m (10 stopa) od mesta na kojem ste sipali gorivo pre pokretanja.
- Snažno povucite da biste pokrenuli motor.
- Gurnite komandu gasa u položaj punog gasa.
- Na modelu LC 551VBP:
 - Otpustite inhibitor pokretanja.
 - Gurnite komandu kočnice noža ka ručki da biste pokrenuli noževe.

Korišćenje pogona na točkicama

- Gurnite pritiskivač pogona u smeru ručice. (Sl. 48)
- Za model LC 551VQ i model LC 551VBP: Podesite brzinu pogona ručicom komande brzine na levoj strani ručke. Pomerite ručicu komande brzine unapred da povećate brzinu a unazad da je smanjite. (Sl. 49)
- Pre nego što povučete proizvod unazad, odvojte pogon i gurnite proizvod ka napred približno 10 cm.
- Otpustite pritiskivač pogona da biste deaktivirali pogon, na primer, kada se nalazite blizu prepreke.

Zaustavljanje proizvoda (LC 551SP, LC 551VQ)

- Da biste zaustavili samo pogon, oslobodite pritiskivač pogona.
- Da biste zaustavili motor, pustite ručicu kočnice motora.

Zaustavljanje proizvoda (LC 551VBP)

- Da biste zaustavili samo pogon, oslobodite pritiskivač pogona.
- Da biste zaustavili motor, pomerite komandu gasa u položaj za zaustavljanje.

Za dobre rezultate

- Uvek koristite oštro sečivo. Tupo sečivo daje neujednačeni rezultat i pokošena površina trave postaje žuta. Oštro sečivo takođe koristi manje energije nego tupo sečivo.
- Nemojte kositi više od $\frac{1}{3}$ dužine trave. Prvo kosite sa visokom visinom košenja. Pregledajte rezultat i spustite visinu košenja na prihvatljivi nivo. Ako je trava zaista visoka, vozite polako i kosite dvaput ako bude potrebno.
- Kosite u različitim smerovima svaki put da biste izbegli pruge na travnjaku.
- Poklopac košenja mora da bude čist. Naslage trave i prljavštine s unutarnje strane poklopca košenja mogu da umanje rezultate košenja. Pogledajte *Čišćenje unutrašnje površine poklopca mehanizma za košenje na stranici 340*

Podešavanje visine košenja

Visina košenja se može podesiti u 6 nivoa.

- Gurnite komandu visine košenja u pravcu točka pa unazad da povećate visinu košenja.
- Gurnite komandu visine košenja u pravcu točka pa unapred da smanjite visinu košenja. (Sl. 45)



OPREZ: Nemojte postavljati visinu košenja suviše nisko. Sečiva mogu da udare o tlo ako površina travnjaka nije ujednačena.

Pokretanje proizvoda (LC 551VQ)

- Proverite da li je kabl za paljenje povezan sa svećicom.
- Stanite iza proizvoda.
- Držite ručicu kočnice motora naspram upravljača. (Sl. 46)
- Držite ručicu užeta startera desnom rukom.
- Lagano izvlačite užu startera dok ne osetite otpor.
- Snažno povucite da biste pokrenuli motor.

Pokretanje proizvoda (LC 551SP, LC 551VBP)

- Proverite da li je kabl za paljenje povezan sa svećicom.
- Stanite iza proizvoda.
- Podesite komandu gasa.
 - Ako je motor hladan, stavite komandu gasa u čokiran položaj. (Sl. 47)
 - Ako je motor zagrejan, ne stavljajte komandu gasa u čokiran položaj.
- Na modelu LC 551SP, stisnite ručicu kočnice motora uz dršku. (Sl. 46)
- Držite ručicu užeta startera desnom rukom.
- Lagano izvlačite užu startera dok ne osetite otpor.

Održavanje

Uvod



UPOZORENJE: Pre održavanja, morate pročitati i razumeti poglavlje o bezbednosti.

Za sva servisiranja i popravke proizvoda, potrebna je specijalna obuka. Garantujemo dostupnost stručnih popravki i servisiranja. Ako vaš prodavac nije servisni agent, obratite mu se za informacije o najbližem servisnom agentu.

Za detaljnije informacije pogledajte www.husqvarna.com.

Šema održavanja



OPREZ: Uverite se da je filter za vazduh podignut, a ne pritisnut na tlo kad nagnete proizvod. Opasnost od oštećenja motora.

Intervali održavanja su izračunati na osnovu svakodnevnog korišćenja proizvoda. Intervali se menjaju ako se proizvod ne koristi svakodnevno.

Za održavanja obeležena znakom *, pogledajte uputstva u *Bezbednosni uređaji na proizvodu na stranici 336*.

Održavanje	Dnevno	Nedeljno	Mesečno
Izvršite generalni pregled	X		
Proverite nivo ulja	X		
Očistite proizvod	X		
Pregledajte opremu za košenje	X		
Pregledajte poklopac košenja *	X		
Pregledajte ručicu kočnice motora * LC 551SP, LC 551VQ	X		
Pregledajte komandu kočnice noža * LC 551VBP	X		
Pregledajte auspuh *		X	
Pregledajte svećicu		X	
Zamenite ulje (prvi put posle 5 sati rada, a zatim na svakih 50 sati rada i jednom godišnje)			X
Očistite ili zamenite filter vazduha			X
Pregledajte sistem za gorivo			X

Vršenje opšteg pregleda

- Uverite se da su sve navrtke i zavrtnji na proizvodu ispravno pritegnuti.

Čišćenje proizvoda

- Očistite plastične delove čistom i suvom krpom.
- Nemojte čistiti proizvod vodom. Voda može da prodre u akumulator ili motor i izazove kratak spoj ili oštećenje proizvoda.
- Nemojte da koristite čistač pod visokim pritiskom za čišćenje proizvoda.
- Nemojte direktno ispirati motor vodom.
- Uklonite lišće, travu i prljavštinu pomoću četke.
- Uklonite poklopac kvačila, koristite četku da uklonite travu ispod poklopca kvačila. (LC 551VBP)

Čišćenje unutrašnje površine poklopca mehanizma za košenje

- Ispraznite rezervoar za gorivo.
- Stavite proizvod na bok tako da je auspuh dole.



OPREZ: Ako se proizvod spusti tako da je filter za vazduh dole, motor može da se ošteti.

- Isperite unutrašnju stranu poklopca mehanizma za košenje vodom iz creva.

Pregled opreme za košenje



UPOZORENJE: Da biste sprečili neželjeno pokretanje, uklonite kabl za paljenje sa svećice.



UPOZORENJE: Nosite zaštitne rukavice kada vršite održavanje na opremi za košenje. Sečivo je veoma oštro i lako dolazi do posekotine.

1. Pregledajte opremu za košenje u pogledu oštećenja ili naprsina. Uvek zamenite oštećenu opremu za košenje.
2. Pregledajte sečivo da biste videli je li oštećeno ili tupo.

Napomena: Nakon oštrenja sečiva potrebno ga je balansirati. Neka servisni centar naoštri, zameni i balansira sečivo. Ako udarite o prepreku nakon čega se proizvod zaustavi, zamenite oštećeno sečivo. Neka servisni centar odredi da li sečivo može da se naoštri ili mora da se zameni.

Zamena noža

1. Blokirate nož pomoću komada drveta. (Sl. 50)
2. Uklonite vijak noža.
3. Uklonite nož.
4. Pregledajte da li su potpora noža i vijak sečiva oštećeni.
5. Pregledajte osovinu motora kako biste se uverili da nije savijena.
6. Kada postavite nov nož, usmerite savijene krajeve noža u smeru poklopca košenja. (Sl. 51)
7. Pobrinite se da je nož poravnat sa sredinom osovine motora.
8. Blokirate nož pomoću komada drveta. (Sl. 52)
9. Postavite nož.
 - a) Na modelu LC 551SP, LC 551VQ, postavite opružnu podlošku i zategnite vijak i podlošku na moment pritezanja od 70 Nm.
 - b) Na modelu LC 551VBP, pritegnite vijak momentom od 50 Nm. (Sl. 53)
10. Povucite nož rukom da biste proverili da li se slobodno okreće.



UPOZORENJE: Nosite čvrste rukavice. Sečivo je veoma oštro i lako dolazi do posekotine.

11. Pokrenite proizvod kako biste testirali nož. Ako nož nije ispravno postavljen, pojavice se vibriranje proizvoda ili rezultat košenja neće biti zadovoljavajući.

Provera nivoa ulja



OPREZ: Previše nizak nivo ulja može da ošteti motor. Proverite nivo ulja pre pokretanja proizvoda.

1. Stavite proizvod na ravno tlo.
2. Uklonite poklopac rezervoara za ulje sa šipkom za merenje.
3. Obrišite ulje na šipki za merenje.
4. Stavite šipku za merenje do kraja u rezervoar ulja. Zategnite poklopac rezervoara za ulje da biste tačno izmerili nivo ulja.
5. Uklonite šipku za merenje.
6. Očitajte nivo ulja na šipci za merenje.
7. Ako je nivo ulja nizak, dospite motorno ulje i ponovo proverite nivo.

(Sl. 54)

Napomena: Koristite levak da biste sprečili prosipanje.

Zamena motornog ulja



UPOZORENJE: Motorno ulje je vrelo neposredno nakon zaustavljanja motora. Pustite da se motor ohladi pre odlivanja motornog ulja. Ako prospete motorno ulje na kožu, sperite ga sa tela sapunom i vodom.

(Sl. 55)

1. Uklonite kabl za paljenje sa svećice.
2. Uklonite poklopac rezervoara za ulje.
3. Ispustite motorno ulje.
 - a) Za modele sa čepom za ispuštanje ulja: Stavite posudu za skupljanje ulja ispod čepa za ispuštanje ulja.
 - b) Za modele bez čepa za ispuštanje ulja ili ako nije moguće staviti posudu ispod čepa za ispuštanje ulja: Koristite pumpu za ulje (dodatna oprema) da ispuštite motorno ulje iz rezervoara za ulje.
4. Sipajte novo motorno ulje tipa preporučenog u *Tehnički podaci na stranici 343*.
5. Proverite nivo ulja. Pogledajte *Provera nivoa ulja na stranici 341*.

Dosipanje i zamena motornog ulja

- Za informacije o dosipanju i zameni motornog ulja pogledajte korisničko uputstvo za motor.

Čišćenje i zamena filtera za vazduh (LC 5551SP, LC 551VBP)

- Za informacije o čišćenju i zameni filtera za vazduh, pogledajte korisničko uputstvo za motor.

Uklanjanje i postavljanje filtera za vazduh (LC 551VQ)



UPOZORENJE: Koristite zaštitne rukavice.

1. Gurnite spojnice poklopca filtera za vazduh.
2. Pažljivo skinite poklopac filtera za vazduh (A) sa motora.
3. Uklonite filter za vazduh (B) i filter od pene (C). (Sl. 56)
4. Proverite da li je filter za vazduh oštećen. Zamenite oštećeni filter za vazduh.
5. Očistite i pregledajte filter za vazduh. Pogledajte *Čišćenje filtera za vazduh (LC 551VQ) na stranici 342.*
6. Postavite obrnutim redosledom.

Čišćenje filtera za vazduh (LC 551VQ)



OPREZ: Ne koristite motor bez filtera za vazduh ili sa prljavim filterom za vazduh.



OPREZ: Zamenite filter za vazduh ako se ne očisti u potpunosti ili ako je oštećen. Defektni filter za vazduh uzrokuje oštećenje motora.

1. Gurnite jezičke za zabavljanje (A), uklonite poklopac filtera za vazduh (B) i filter za vazduh (C). (Sl. 57)
2. Udarite filter za vazduh o tvrdu površinu ili udvajate komprimovani vazduh kroz filter za vazduh sa čiste strane filtera.



OPREZ: Ne koristite četku za uklanjanje prljavštine, jer se tako prljavština gura u filter.

3. Očistite držač filtera za vazduh (D) i poklopac filtera za vazduh vlažnom krpom.



OPREZ: Pobrinite se da prljavština ne ode u cev za vazduh (E).

4. Postavite filter za vazduh. Uverite se da filter za vazduh do kraja naleže na držač filtera za vazduh.
5. Stavite poklopac filtera za vazduh tako da donji jezički idu prvi.

Pregled svećice



OPREZ: Uvek koristite preporučeni tip svećice. Neodgovarajući tip svećice može da ošteti proizvod.

- Pregledajte svećicu ako je snaga motora mala, ako se teško pokreće ili nepravilno radi u praznom hodu.
- Da biste smanjili rizik od nakupljanja neželjenog materijala na elektrodama svećice, poštujujte sledeća uputstva:
 - a) Uverite se da je broj obrtaja na praznom hodu pravilno podešen.
 - b) Uverite se da je mešavina dobro napravljena.
 - c) Uverite se da je filter za vazduh čist.
- Ako je svećica prljava, očistite je i ujedno proverite da li je razmak između elektroda tačan, pogledajte *Tehnički podaci na stranici 343.* (Sl. 58)
- Zamenite svećicu ako je potrebno.

Pregled sistema za gorivo

- Pogledajte da li su poklopac rezervoara za gorivo i njegova zaptivka oštećeni.
- Pogledajte da li crevo za gorivo curi. Ako je crevo za gorivo oštećeno, neka ga serviser zameni.

Podešavanje komande brzine i komande gasa

Komandom brzine se podešava brzina vožnje. Komandom gasa se podešava brzina pogona.



OPREZ: Ne podešavajte komande brzine dok radi motor.

1. Da biste podesili brzinu pogona, okrenite zavrtnaj za podešavanje (A), čime se menja dužina bužira. Skratite bužir da biste povećali brzinu pogona.
2. Ako ne možete da aktivirate čokiran položaj ili položaj za zaustavljanje, podesite brzinu motora. Okrenite vijak za podešavanje (B). (Sl. 59)

Transport, skladištenje i odlaganje

Transport i skladištenje

- Uverite se da pri skladištenju i transportu proizvoda i goriva nema isparavanja i curenja iz proizvoda. Varnice i otvoren plamen, na primer iz električnih uređaja i bojlera, može da zapali požar.
- Uvek koristite odobrene kanistere za čuvanje i transport goriva.
- Ispraznite rezervoar za gorivo pre dužeg skladištenja proizvoda. Gorivo odbacujte na odgovarajućoj lokaciji za odbacivanje
- Da biste sprečili nezgode i oštećenja, dobro fiksirajte proizvod prilikom transporta.

- Čuvajte proizvod u zaključanoj prostoriji da biste sprečili neodobren pristup deci i drugim osobama.
- Čuvajte proizvod na suvom mestu bez mraza.

Odlaganje

- Pratite lokalne zakone i propise o reciklaži.
- Sve hemikalije, kao što su motorno ulje i gorivo, odbacujte u servisnom centru ili na odgovarajućem mestu za odbacivanje.
- Kad rashodujete proizvod, pošaljite ga Husqvarna prodavcu ili ga odnesite na odgovarajuće mesto za reciklažu.

Tehnički podaci

	LC 551SP	LC 551VBP	LC 551VQ
Motor			
Marka	Kawasaki	Kawasaki	Husqvarna
Model	FJ180V	FJ180V	HS 166AP
Tip motora	Jedan cilindar, 4-takt-ni, aktivno vazdušno hlađenje, OHV	Jedan cilindar, 4-takt-ni, aktivno vazdušno hlađenje, OHV	Jedan cilindar, 4-takt-ni, aktivno vazdušno hlađenje, OHV
Zapremina cilindra, cm ³	179	179	166
Brzina, o/min	2800	2800	2800
Nominalna izlazna snaga motora, kW ¹²¹	2,9	2,9	2,7
Sistem paljenja			
Svećica	NGK BPR5ES	NGK BPR5ES	Husqvarna HQT-7
Zazor elektroda, mm	0,6-0,8	0,6-0,8	0,7-0,8
Sistem za gorivo i podmazivanje			
Tip podmazivanja motora	Pritisak s filterom ulja	Pritisak s filterom ulja	Prskanje
Kapacitet rezervoara za gorivo, l	1,9	1,9	1,5
Kapacitet rezervoara za ulje, l	0,7	0,7	0,5
Motorno ulje ¹²²	Husqvarna SAE 30	Husqvarna SAE 30	Husqvarna SAE 30
Težina			

¹²¹ Naznačena snaga motora je prosečna neto izlazna snaga (pri navedenim obrtajima u minutu) tipičnog proizvodnog motora za model motora izmerena prema SAE standardu J1349/ISO1585. Vrednost motora iz masovne proizvodnje može da se razlikuje. Stvarna izlazna snaga postavljenog motora na proizvodu će zavisići od radne brzine, uslova u okruženju i drugih vrednosti.

¹²² Ako se ulje SAE-30 koristi na temperaturama nižim od +5 °C, postoji opasnost da se motor ne podmazuje dovoljno. Tako može da dođe do oštećenja motora. Pogledajte *Zamena motornog ulja na stranici 341* za odgovarajući tip ulja za niske temperature.

	LC 551SP	LC 551VBP	LC 551VQ
Sa praznim rezervoarima, kg	48,5	52,5	51,0
Emisija buke ¹²³			
Nivo zvučne snage, mereno dB (A)	97	96	97
Nivo zvučne snage, garantovano L _{WA} dB (A)	98	98	98
Nivoi zvuka ¹²⁴			
Nivo zvučnog pritiska na uho rukovaoca, dB (A)	87	84	86
Nivoi vibracije ¹²⁵			
Ručka, m/s ²	4,5	4,5	3,2
Oprema za košenje			
Visina košenja, mm	26-74	26-74	26-74
Širina košenja, mm	510	510	510
Nož	Sakupljanje	Sakupljanje	Sakupljanje
Broj artikla	5875908-10	5821494-10	5875908-10
Kapacitet hvatača trave, l	65	65	65
Pogon			
Brzina, km/h	4,1	2,8-5	2,8-5

¹²³ Emisije buke u životnoj sredini merene kao zvučna snaga (L_{WA}) u skladu sa direktivom 2000/14/EZ.

¹²⁴ Nivo pritiska buke prema ISO 5395. Prijavljeni podaci za nivo zvučnog pritiska imaju tipičnu statističku disperziju (standardna devijacija) od 1,2 dB (A).

¹²⁵ Nivo vibracija prema ISO 5395. Podaci o nivou vibracije imaju tipičnu statističku disperziju (standardnu devijaciju) od 0,2 m/s².

Deklaracija o usaglašenosti

EU deklaracija o usaglašenosti

Mi, **Husqvarna AB**, SE-561 82 Huskvarna, Švedska, tel: +46-36-146500, izjavljujemo pod punom odgovornošću da je proizvod:

Opis	Kosačica za travu
Marka	Husqvarna
Tip/model	LC 551SP, LC 551VBP, LC 551VQ
Identifikacija	Serijski brojevi od 2022 i nadalje

su u potpunosti usaglašeni sa sledećim EU direktivama i propisima:

Propis	Opis
2006/42/EZ	„koji se odnose na mašine“
2014/30/EU	„koji se odnose na elektromagnetsku kompatibilnost“
2000/14/EZ	„koji se odnose na emisiju buke u okruženju“
2011/65/EU	„koji se odnose na ograničenje upotrebe određenih opasnih supstanci u električnoj i elek-tronskoj opremi“

i da su sledeći standardi i/ili tehničke specifikacije primenjeni: EN ISO 5395-1:2013/A1:2018, EN ISO 5395-2:2013/A1:2016/A2:2017, EN ISO 14982:2009, EN IEC 63000:2018

Ovlašćeno telo: 0404, RISE SMP Svensk Maskinprovning AB, Box 4053, SE-904 03 Umeå, Sweden je sertifikovalo usaglašenost sa direktivom veća 2000/14/EC, postupak za procenu usklađenosti: Aneks VI.

Za informacije o emisiji buke pogledajte *Tehnički podaci na stranici 343*.

Huskvarna, 2022-09-29



Claes Losdal, menadžer razvoja / baštenski proizvodi,
Husqvarna AB

Odgovoran za tehničku dokumentaciju



Innehåll

Introduktion.....	346	Underhåll.....	352
Säkerhet.....	347	Transport, förvaring och kassering.....	355
Montering.....	350	Tekniska data.....	355
Drift.....	351	Försäkrän om överensstämelse.....	357

Introduktion

Produktbeskrivning

Produkten är en rotorgräsklippare som styrs av en gående person. Gräset samlas i en gräsupsamlare. Du kan ta bort gräsupsamlaren om du vill att gräset ska komma ut mitt bak. Anslut ett mulchingkit (tillbehör) för att finfördela gräset till gödning.

Produktöversikt

(Fig. 1)

1. Motorbromsbygel
2. Handtag/styre
3. Hastighetsreglaget
4. Drivbygel
5. Startsnörets handtag
6. Gräsupsamlare
7. Höjjustering av handtag
8. Klipphöjdsreglage

Produktöversikt

(Fig. 2)

1. Handtag/styre
2. Knivbromsreglage (LC 551VBP)
3. Hastighetskontroll/gasreglage (LC 551VBP)
4. Drivbygel (LC 551VBP)
5. Startspärr (LC 551VBP)
6. Startsnörets handtag
7. Gräsupsamlare
8. Höjjustering av handtag
9. Klipphöjdsreglage
10. Mätsticka/oljetank
11. Klippkåpa
12. Ljuddämpare
13. Tändstift
14. Luftfilter
15. Bränsletank
16. Bakre kåpa
17. Motorbromsbygel (LC 551SP)
18. Gasreglage (LC 551SP)
19. Drivbygel (LC 551SP)
20. Bruksanvisning

Avsedd användning

Använd produkten för att klippa gräs. Använd inte produkten till andra uppgifter.

9. Mätsticka/oljetank
10. Klippkåpa
11. Ljuddämpare
12. Tändstift
13. Luftfilter
14. Bränsletank
15. Bakre kåpa
16. Bruksanvisning

Symboler på produkten

- (Fig. 3) Slarvigt eller felaktigt användande kan resultera i skador eller dödsfall för operatören eller andra.
- (Fig. 4) Läs igenom bruksanvisningen noggrant och se till att du förstär instruktionerna innan användning.
- (Fig. 5) Håll alltid människor och djur på säkert avstånd från arbetsområdet.
- (Fig. 6) Stäng av motorn och ta av tändkabeln före reparation eller underhåll.
- (Fig. 7) Olja
- (Fig. 8) Snabb
- (Fig. 9) Långsamt
- (Fig. 10) Stoppa motorn
- (Fig. 11) Choke

- (Fig. 12) Knivkoppling
- (Fig. 13) Akta dig för utslungade föremål och rikoschetter.
- (Fig. 14) Håll händer och fötter borta från den roterande kniven.
- (Fig. 15) Håll händer och fötter borta från roterande delar.
- (Fig. 16) Produkten överensstämmer med gällande EU-direktiv.
- (Fig. 17) Produkten överensstämmer med gällande brittiska direktiv.
- (Fig. 18) Miljömärkning för bulleremission enligt direktiv och bestämmelser för EU och Storbritannien samt New South Wales-lagen "Protection of the Environment Operations (Noise Control) Regulation 2017". Produktens garanterade ljudeffektnivå anges i *Tekniska data på sida 355* och på etiketten
- (Fig. 19) Motorns avgaser innehåller kolmonoxid, en luktlös, giftig och mycket farlig gas. Kör inte produkten inomhus eller i slutna utrymmen.
- (Fig. 20) Kör inte produkten inomhus eller i slutna utrymmen.
- (Fig. 21) Risk för explosion.
- (Fig. 22) Het yta
- (Fig. 23) Motorn levereras utan olja.
- (Fig. 24) Fyll på olja innan du använder produkten.
- (Fig. 25) Använd inte E85-bränsle.
- (Fig. 26) Håll produkten borta från öppna lågor.
- (Fig. 27) Kod som kan skannas.

Notera: Andra symboler/dekaler på produkten hänvisar till marknadsspecifika juridiska krav.

Euro V-utsläpp



WARNING: Manipulering av motorn upphäver EG-typgodkännandet för den här produkten.

Produktansvar

Enligt lagstiftningen för produktansvar ansvarar vi inte för skador som vår produkt orsakar om:

- produkten repareras felaktigt
- produkten repareras med delar som inte kommer från tillverkaren eller inte har godkänts av tillverkaren
- produkten har ett tillbehör som inte kommer från tillverkaren eller inte har godkänts av tillverkaren
- produkten inte repareras vid ett godkänt servicecenter eller av en godkänd person.

Säkerhet

Säkerhetsdefinitioner

Varningar, försiktighetsåtgärder och anmärkningar används för att betona speciellt viktiga delar i bruksanvisningen.



WARNING: Används om det finns risk för skador eller dödsfall för användaren eller kringstående om anvisningarna i bruksanvisningen inte följs.



OBSERVERA: Används om det finns risk för skada på produkten, annat material eller det angränsande området om anvisningarna i bruksanvisningen inte följs.

Notera: Används för att ge mer information som är nödvändig i en viss situation.

Allmänna säkerhetsanvisningar



WARNING: Läs varningsinstruktionerna nedan innan du använder produkten.

- Denna produkt är farlig om den används på fel sätt, och om du inte är försiktig. Skada eller dödsfall kan inträffa om du inte följer säkerhetsinstruktionerna.
- Denna produkt alstrar ett elektromagnetiskt fält under drift. Detta fält kan under vissa omständigheter ge påverkan på aktiva eller passiva medicinska implantat. För att reducera risken för omständigheter som kan leda till allvariga eller livshotande skador rekommenderar vi därför

personer med implantat att rådgöra med läkare samt tillverkaren av det medicinska implantatet innan denna produkt används.

- Var alltid försiktig och använd sunt förnuft. Om du inte vet hur du ska använda produkten i en särskild situation ska du stanna den och tala med en Husqvarna-återförsäljare innan du fortsätter.
- Tänk på att användaren kommer att hållas ansvarig för olyckor som involverar andra människor eller deras egendom.
- Håll produkten ren. Se till att du kan läsa skyltar och dekaler tydligt.
- Låt inte någon använda produkten om du inte är säker på att personen har läst och förstår innehållet i bruksanvisningen.
- Låt inte barn använda produkten.
- Håll barn borta från klippområdet. En vuxen person måste vara närvarande hela tiden.
- Låt inte en person utan kännedom om instruktionerna använda produkten.
- Övervaka alltid en person med nedsatt fysisk eller mental kapacitet som använder produkten. En vuxen person måste vara närvarande hela tiden.
- Använd aldrig produkten om du är trött, sjuk eller om du är påverkad av alkohol, droger eller läkemedel. Detta har en negativ inverkan på din syn, ditt omdöme och din kroppskontroll.
- Använd inte produkten om den är trasig.
- Modifiera aldrig den här produkten och använd den inte om det är möjligt att den har blivit modifierad av andra.
- Ändra inte inställningen för motorns varvtalsreglering.

Säkerhet i arbetsområdet



VARNING: Läs varningsinstruktionerna nedan innan du använder produkten.

- Ta bort föremål som grenar, kvistar och stenar från arbetsområdet innan du använder produkten.
- Objekt som slår mot skärutrustningen kan slungas ut och orsaka skador på personer och föremål. Håll alltid människor och djur på säkert avstånd från produkten.
- Använd aldrig produkten i dåligt väder, som dimma, regn, hård vind, extrem kyla och risk för blixtnedslag. Det är ansträngande att använda produkten i dåligt väder eller på fuktiga eller våta platser. Dåligt väder kan leda till farliga förhållanden, t.ex. hala ytor.
- Håll utkik efter personer, föremål och situationer som kan förhindra säker användning av produkten.
- Håll utkik efter hinder, som rötter, stenar, grenar, gropar och diken. Långt gräs kan dölja hinder.
- Det kan vara farligt att klippa gräs i sluttningar. Använd inte produkten i terräng som lutar mer än 15°.
- Klipp tvärs över sluttningar. Inte upp och ned.

- Var uppmärksam när du närmar dig dolda hörn och föremål som skymmer sikten.

Arbets säkerhet



VARNING: Läs varningsinstruktionerna nedan innan du använder produkten.

- Använd enbart den här produkten för att klippa gräsmattor. Det är inte tillåtet att använda den för andra uppgifter.
- Använd personlig skyddsutrustning. Se *Personlig skyddsutrustning på sida 349*.
- Se till att du vet hur man snabbt stoppar motorn i en nödsituation.
- Starta aldrig motorn i ett stängt utrymme eller nära brandfarliga material. Motoravgaserna är heta och kan medföra gnistor som kan orsaka brand.
- Använd inte produkten utan att kniven och alla kåpor är korrekt monterade. En felaktigt monterad kniv kan lossna och orsaka personskador.
- Se till att kniven inte slår emot föremål som stenar och rötter. Detta kan göra att kniven skadas och böja motoraxeln. En böjd axel orsakar kraftiga vibrationer och risken för att kniven lossnar blir mycket hög.
- Om kniven träffar ett föremål eller om det uppstår vibrationer ska du omedelbart stanna produkten. Koppla bort tändkabeln från tändstiftet. Kontrollera om det finns några skador på produkten. Reparera skadorna eller låt en behörig serviceverkstad utföra reparationen.
- Fäst aldrig motorbromsbygeln permanent på handtaget när motorn är igång.
- Ställ produkten på ett stabilt plant underlag och starta den. Se till att kniven inte vidrör marken eller andra föremål.
- Håll dig alltid bakom produkten när du använder den.
- Låt alla hjul stå på marken och håll båda händerna på handtaget när du använder produkten. Håll händer och fötter borta från de roterande knivarna.
- Luta inte produkten när motorn är igång.
- Var försiktig när du drar produkten bakåt.
- Lyft aldrig upp produkten när motorn är igång. Om du måste lyfta produkten ska du först stanna motorn och koppla bort tändkabeln från tändstiftet.
- Gå inte baklänges när du använder produkten.
- Stäng av motorn när du rör dig över områden utan gräs, t.ex. gångar av grus, sten och asfalt.
- Spring inte med produkten när motorn är igång. Gå alltid när du använder produkten.
- Stäng av motorn innan du ändrar klipphöjden. Gör aldrig justeringar med motorn igång.
- Lämnar aldrig produkten utanför ditt synfält med motorn igång. Stäng av motorn och se till att skärutrustningen inte roterar.

Säkerhetsinstruktioner för drift

Personlig skyddsutrustning



WARNING: Läs varningsinstruktionerna nedan innan du använder produkten.

- Personlig skyddsutrustning kan inte eliminera skaderisken helt, men den reducerar effekten av en skada vid ett eventuellt olyckstillbud. Be din återförsäljare om hjälp med att välja rätt utrustning.
- Använd hörselskydd om ljudnivån är högre än 85 dB.
- Använd kraftiga halksäkra kängor eller skor. Använd inte öppna skor och var inte barfota.
- Använd tjockare långbyxor.
- Använd skyddshandskar vid behov, till exempel när du ansluter, undersöker eller rengör skärutrustningen.

Säkerhetsanordningar på produkten



WARNING: Läs varningsinstruktionerna nedan innan du använder produkten.

- Använd inte en produkt med säkerhetsanordningar som är skadade eller som inte fungerar korrekt.
- Kontrollera säkerhetsanordningarna regelbundet. Om säkerhetsanordningarna är skadade eller om de inte fungerar korrekt ska du kontakta en Husqvarna-serviceverkstad.
- Gör inga ändringar på säkerhetsanordningarna.

Kontrollera klippkåpan

Klippkåpan dämpar vibrationerna och minskar risken för skador orsakade av kniven.

- Undersök klippkåpan för att se till att där inte finns några skador, t.ex. sprickor.

Kontrollera motorbromsbygeln (LC 551SP, LC 551VQ)

Motorbromsbygeln stänger av motorn. När motorbromsbygeln släpps stannar motorn.

- Starta motorn och släpp sedan motorbromsbygeln. Om motorn inte stannar inom tre sekunder ska du låta en godkänd Husqvarna-serviceverkstad justera motorbromsen. (Fig. 28)

Kontrollera knivbromsreglaget och startspärren (LC 551VBP)

Knivbromsreglaget stoppar bara kniven, inte motorn. När knivbromsreglaget släpps stannar kniven.

1. Starta motorn.
2. Tryck knivbromsreglaget i styrets riktning. Startspärren stoppar rörelsen.
3. Tryck ut startspärren.

4. Tryck knivbromsreglaget i styrets riktning. Knivarna börjar rotera.
5. Släpp knivbromsreglaget. Om kniven inte stannar inom tre sekunder ska du låta en godkänd Husqvarna-serviceverkstad justera knivbromsen. (Fig. 29)
6. Se till att startspärren går tillbaka till ursprungsläget.

Ljuddämpare

Ljuddämparen håller ljudnivån till ett minimum och leder bort motorns avgaser från föraren.

Använd inte produkten utan eller med defekt ljuddämpare. En defekt ljuddämpare ökar ljudnivån och brandrisken.



WARNING: Ljuddämparen blir mycket varm under och efter användning samt när motorn går på tomgång. Var försiktig nära brandfarliga material och/eller ångor för att förhindra brand.

Kontrollera ljuddämparen

- Undersök ljuddämparen regelbundet för att se till att den är korrekt monterad och inte skadad.

Bränslesäkerhet



WARNING: Läs varningsinstruktionerna nedan innan du använder produkten.

- Starta inte produkten om det finns bränsle eller motorolja på produkten. Ta bort det oönskade bränslet/oljan och låt produkten torka.
- Om du spillt bränsle på kläderna skall dessa bytas omedelbart.
- Se till att inte få bränsle på kroppen, det kan orsaka personskador. Om du får bränsle på kroppen ska du använda tvål och vatten för att ta bort bränslet.
- Starta inte produkten om motorn har en läcka. Undersök regelbundet om motorn läcker.
- Var försiktig med bränsle. Bränsle är brandfarligt och ångorna är explosiva och kan orsaka skador eller dödsfall.
- Undvik att andas in bränsleångor då det kan orsaka personskador. Se till att det finns tillräckligt luftflöde.
- Rök inte i närheten av bränslet eller motorn.
- Placera inga varma föremål i närheten av bränslet eller motorn.
- Fyll inte på bränsle när motorn är på.
- Se till att motorn har svalnat innan du fyller på bränsle.
- Innan du fyller på bränsle bör du öppna bränsletanklocket långsamt och försiktigt släppa på trycket.

- Fyll inte på bränsle i motorn inomhus. Otillräckligt luftflöde kan orsaka skador eller dödsfall på grund av kvävning eller kolmonoxidförgiftning.
- Dra åt bränsletankklocket ordentligt. Om bränsletankklocket inte dras åt ordentligt finns det en risk för brand.
- Flytta produkten minst 3 m från den plats där du fyllde på tanken innan du startar den.
- Fyll inte upp tanken helt. Värme gör att bränslet expanderar. Lämna lite plats längst upp på tanken.

Säkerhetsinstruktioner för underhåll



VARNING: Läs varningsinstruktionerna nedan innan du använder produkten.

- Motorns avgaser innehåller kolmonoxid, en luktlös, giftig och mycket farlig gas. Starta inte motorn inomhus eller i slutna utrymmen.

- Innan du utför underhåll på produkten ska du stänga av motorn och ta bort tändkabeln från tändstiftet.
- Använd skyddshandskar när du utför underhåll på skärutrustningen. Kniven är mycket vass och skärskador uppstår lätt.
- Tillbehör och ändringar av produkten som inte godkänts av tillverkaren kan orsaka allvarliga skador eller dödsfall. Modifiera inte produkten. Använd endast tillbehör som godkänts av tillverkaren.
- Om underhåll inte utförs korrekt och regelbundet ökar risken för personskadorna och skador på produkten.
- Utför endast underhåll enligt anvisningarna i den här bruksanvisningen. All annan service måste utföras av en godkänd Husqvarna-serviceverkstad.
- Låt en godkänd Husqvarna-serviceverkstad utföra service på produkten regelbundet.
- Byt ut skadade, slitna och trasiga delar.

Montering

Introduktion



VARNING: Innan du monterar produkten måste du läsa igenom och förstå kapitlet om säkerhet.



VARNING: Avlägsna tändstiftskabeln från tändstiftet innan du monterar produkten.

Montera handtaget

1. Lossa de nedre vreden på vänster och höger sida av produkten. Se till att plastbrickan är i försänkningen i hantagshållaren. (Fig. 30)
2. Montera handtaget framåtfällt så som visas på bilden. (Fig. 31)
 - a) Se till att plastbrickan är mellan handtaget och hantagshållaren.
 - b) Montera handtaget i hantagshållaren.
3. Lyft upp handtaget. (Fig. 32)
4. Dra åt vreden helt. Ställa in höjden på handtaget, se *. Ställa in höjden på handtaget på sida 350.*
5. Lägg kablarna i kabelfästena. Se till att kablarna inte är snodda. Montera kabelfästena på handtaget. (Fig. 33)
6. Använd ett buntband för att fästa kablarna på handtagshållaren. (Fig. 34)

Ställa in höjden på handtaget

1. Lossa de nedre vreden.
2. Flytta vreden till den nedre delen av spåren på produktens vänstra och högra sida. (Fig. 35)

3. Ställ in handtagshöjden till ett av två tillgängliga lägen.
4. Skjut vreden uppåt mot styret tills det tar stopp och du hör ett klick. (Fig. 36)
5. Dra åt vreden helt.

Ställa in produkten i transportläge

1. Ta bort gräsupsamlaren.
2. Lossa de nedre vreden.
3. Flytta vreden till den nedre delen av spåren på produktens vänstra och högra sida. (Fig. 35)
4. Vik handtaget framåt. (Fig. 37)

Ställa in produkten i arbetsläge

1. Lyft styret uppåt. (Fig. 32)
2. Skjut vreden uppåt mot styret tills det tar stopp och du hör ett klick. (Fig. 36)
3. Dra åt vreden helt.

Montera gräsupsamlaren

1. Fäst gräsupsamlarens ram i gräsbehållaren, med behållarens stela del nedåt. Håll ramens handtag ovanpå gräsbehållaren. (Fig. 38)
2. Sätt fast den nedre delen av gräsupsamlarens ram på undersidan av gräsupsamlaren. (Fig. 39)
 - a) Skjut in gräsupsamlarens ram i spåret. Starta på höger sida så som visas på bilden och flytta stegvis till vänster.
3. Om det är svårt att fästa gräsupsamlarens ram kan du slå försiktigt på gräsupsamlarens ram med en gummiklubba. Slå på gräsupsamlarens ram mellan förstärkningarna. (Fig. 40)

4. Fäst gräsbehållaren på gräsuppsamlarens ram med klämmorna. (Fig. 41)
5. Lyft den bakre kåpan.
6. Fäst gräsuppsamlaren i den övre kanten på chassit.
7. Sätt den nedre delen av gräsuppsamlaren i gräsutkastkanalen. (Fig. 42)

Montera mulchingpluggen (tillbehör)

1. Lyft upp den bakre kåpan och ta loss gräsuppsamlaren.
2. För in mulchingpluggen i utkastkanalen. (Fig. 43)
3. Byt ut kniven mot mulchingkniven som tillhandahålls i mulchingkitet. Se *Byta knivar på sida 353*.

Klippa gräset utan en gräsuppsamlare eller mulchingplugg monterad

- Lyft upp den bakre kåpan och ta loss gräsuppsamlaren.
- Om en mulchingplugg och en mulchingkniv är monterade tar du bort dem.
- Stäng den bakre kåpan innan du använder produkten.

När du använder produkten kastas gräsklippet ut under den bakre kåpan.

Drift

Introduktion



VARNING: Innan du använder produkten måste du läsa igenom och förstå kapitlet om säkerhet.

Husqvarna Connect

Husqvarna Connect är en kostnadsfri app för mobila enheter. Husqvarna Connect-appen utökar funktionerna för Husqvarna-produkten:

- Mer produktinformation.
- Information om, och hjälp med, produktdelar och service.

Börja använda Husqvarna Connect

1. Hämta Husqvarna Connect-appen på din mobila enhet.
2. Utför registreringen i Husqvarna Connect-appen.
3. Följ instruktionerna i Husqvarna Connect-appen för att ansluta och registrera produkten.

Innan du använder produkten

1. Läs igenom bruksanvisningen noggrant och se till att du förstår instruktionerna.
2. Undersök skärutrustningen för att se till att den är korrekt monterad och justerad. Se *Kontrollera skärutrustningen på sida 353*.
3. Fyll bränsletanken. Se *Fylla på bränsle på sida 351*.
4. Fyll oljetanken och kontrollera oljenivån. Se *Kontrollera oljenivån på sida 354*.

Fylla på bränsle

Använd miljöanpassad bensin/alkylatbensin om det finns. Om miljöanpassad bensin/alkylatbensin inte finns tillgänglig ska du använda blyfri bensin eller blyad bensin av hög kvalitet med ett oktantal på minst 90.



OBSERVERA: Använd inte bensin med ett oktantal lägre än 90 RON (87 AKI). Det kan orsaka skador på produkten.

1. Öppna tanklocket långsamt för att släppa på trycket.
2. Fyll på långsamt med en bränsledunk. Om du spiller bränsle ska du ta bort det med en trasa och låta bensinresterna avdunsta. (Fig. 44)
3. Torka rent runt bränsletanklocket.
4. Dra åt bränsletanklocket ordentligt. Om bränsletanklocket inte dras åt ordentligt finns det en risk för brand.
5. Flytta produkten minst tre meter från den plats där du fyllde på tanken innan du startar den.

Ställa in klipphöjden

Klipphöjden kan justeras i sex nivåer.

1. Tryck klipphöjdsreglaget i riktning mot hjulet och sedan bakåt för att höja klipphöjden.
2. Tryck klipphöjdsreglaget i riktning mot hjulet och sedan framåt för att minska klipphöjden. (Fig. 45)



OBSERVERA: Ställ inte in för låg klipphöjd. Knivarna kan träffa marken om gräsmattans yta inte är plan.

Starta produkten (LC 551VQ)

1. Se till att tändkabeln är ansluten till tändstiftet.
2. Stå bakom produkten.
3. Håll motorbromsbygeln mot handtaget. (Fig. 46)
4. Håll i startsnörets handtag med höger hand.
5. Dra långsamt i startsnöret tills du känner ett motstånd.
6. Dra kraftigt för att starta motorn.

Starta produkten (LC 551SP, LC 551VBP)

1. Se till att tändkabeln är ansluten till tändstiftet.
2. Stå bakom produkten.
3. Justera gasreglaget.
 - a) Om motorn är kall ska du föra gasreglaget till chokeläge. (Fig. 47)
 - b) Om motorn är varm ska du inte föra gasreglaget till chokeläge.
4. På modell LC 551SP: Håll motorbromsbygeln mot styret. (Fig. 46)
5. Håll i startsnörets handtag med höger hand.
6. Dra långsamt i startsnöret tills du känner ett motstånd.
7. Dra kraftigt för att starta motorn.
8. Sätt gasreglaget på fullgas.
9. På modell LC 551VBP:
 - a) Lossa startspärren.
 - b) Tryck knivbromsreglaget i styrets riktning för att starta knivarna.

Använda drivningen på hjulen

- Dra drivbygeln i handtagets riktning. (Fig. 48)
- För modell LC 551VQ och modell LC 551VBP: Justera körhastigheten med hastighetsreglaget på handtagets vänstra sida. För hastighetsreglaget framåt för att öka varvtalet och bakåt för att minska varvtalet. (Fig. 49)
- Innan du drar produkten bakåt, stäng av drivenheten och putta fram den ca 10 cm.

- Släpp drivbygeln för att koppla ur drivningen, t.ex. när du går nära ett hinder.

Stänga av produkten (LC 551SP, LC 551VQ)

- För att stänga av endast drivningen ska du släppa drivbygeln.
- För att stänga av motorn ska du släppa motorbromsbygeln.

Stoppa produkten (LC 551VBP)

- För att stänga av endast drivningen ska du släppa drivbygeln.
- För att stänga av motorn för du gasreglaget till stoppläget.

Få ett bra resultat

- Använd alltid en vass kniv. En slö kniv ger ett ojämnt resultat och grässets snittyta blir gul. En vass kniv förbrukar mindre energi än en slö kniv.
- Klipp inte mer än en tredjedel av grässets längd. Klipp först med hög klipphöjd. Undersök resultatet och sänk klipphöjden till en lämplig nivå. Om gräset är väldigt långt kan du köra sakta och klippa två gånger vid behov.
- Klipp i olika riktningar varje gång för att undvika ränder i gräsmattan.
- Håll klippkåpan ren. Ansamling av gräs och smuts på insidan av klippkåpan kan försämra klippresultatet. Se *Rengöra insidan av klippkåpan på sida 353*.

Underhåll

Introduktion



VARNING: Innan du utför underhåll måste du läsa och förstå kapitlet om säkerhet.

För allt service- och reparationsarbete på produkten krävs särskild utbildning. Vi garanterar att du kan få en fackmannamässig reparation och service utförd. Om din återförsäljare inte är en serviceverkstad kan du tala med dem för information om närmaste serviceverkstad.

Mer information finns här i www.husqvarna.com.

Underhållsschema



OBSERVERA: Se till att luftfiltret är uppåt och inte mot marken när du lutar produkten. Risk för motorskador.

Underhållsintervallen beräknas utifrån daglig användning av produkten. Intervallen ändras om produkten inte används dagligen.

För underhåll som markeras med *, se anvisningarna i *Säkerhetsanordningar på produkten på sida 349*.

Underhåll	Dagligen	Varje vecka	Varje månad
Utför en allmän inspektion	X		
Kontrollera oljenivån	X		
Rengöra produkten	X		

Underhåll	Dagligen	Varje vecka	Varje månad
Kontrollera skärutrustningen	X		
Kontrollera klippkåpan*	X		
Kontrollera motorbromsbygeln* LC 551SP, LC 551VQ	X		
Kontrollera knivbromsreglaget* LC 551VBP	X		
Kontrollera ljuddämparen *		X	
Kontrollera tändstiftet		X	
Byt ut oljan (första gången efter fem timmars användning, sedan efter var 50:e timmes användning och varje år)			X
Rengör eller ersätt luftfiltret			X
Kontrollera bränslesystemet			X

Allmän inspektion

- Se till att alla skruvar och muttrar på produkten är korrekt åtdragna.

Rengöra produkten

- Rengör plastdelar med en ren och torr trasa.
- Använd inte vatten för att rengöra produkten. Vatten kan tränga in i batteriet eller motorn och orsaka kortslutning eller skada på produkten.
- Undvik att använda högtryckstvätt när du rengör maskinen.
- Spola inte vatten direkt på motorn.
- Använd en borste för att ta bort löv, gräs och smuts.
- Ta bort kopplingskåpan och använd en borste för att ta bort gräs under kopplingskåpan. (LC 551VBP)

Rengöra insidan av klippkåpan

1. Töm bensintanken.
2. Placera produkten på sidan med ljuddämparen nedåt.



OBSERVERA: Om produkten placeras med luftfiltret nedåt kan motorn skadas.

3. Spola av klippkåpan insida med vatten.

Kontrollera skärutrustningen



WARNING: För att förhindra oavsiktlig start ska du ta bort tändkabeln från tändstiftet.



WARNING: Använd skyddshandskar när du utför underhåll på skärutrustningen. Kniven är mycket vass och skärskador uppstår lätt.

1. Kontrollera så att skärutrustningen inte är skadad eller har sprickor. Byt alltid ut skadad skärutrustning.
2. Titta på kniven för att se om den är skadad eller slö.

Notera: Kniven måste balanseras när den har slipats. Låt en serviceverkstad slipa, byta och balansera kniven. Om du träffar ett hinder som gör att produkten stannar ska du byta ut den skadade kniven. Låt serviceverkstaden bedöma om kniven kan slipas eller måste ersättas.

Byta knivar

1. Lås kniven med en träbit. (Fig. 50)
2. Ta bort knivbulten.
3. Ta bort kniven.
4. Inspektera knivstödet och knivbulten beträffande skador.
5. Kontrollera motoraxeln för att se till att den inte är böjd.
6. När du monterar en ny kniv ska du rikta knivens vinkelade ändar mot klippkåpan. (Fig. 51)
7. Se till att kniven är i linje med motoraxelns mitt.
8. Lås kniven med en träbit. (Fig. 52)
9. Sätt fast kniven.
 - a) På modell LC 551SP, LC 551VQ: Montera fjäderbrickan och dra åt bulten och brickan med ett moment på 70 Nm.
 - b) På modell LC 551VBP: Dra åt bultarna med ett moment på 50 Nm. (Fig. 53)
10. Dra runt kniven för hand och se till att den roterar fritt.



WARNING: Använd kraftiga arbetshandskar. Kniven är mycket vass och skador uppstår lätt.

11. Starta produkten för att testa kniven. Om kniven inte är korrekt monterad känner du vibrationer i produkten eller så är klippresultat otillfredsställande.

Kontrollera oljenivån



OBSERVERA: För låg oljenivå kan orsaka allvarliga motorskador. Kontrollera oljenivån innan du startar produkten.

1. Ställ produkten på plan mark.
2. Ta bort oljetanklocket med mätstickan.
3. Torka av oljan från mätstickan.
4. Sätt tillbaka mätstickan helt i oljetanken. Dra åt oljetankens lock för att säkerställa att oljenivån visas korrekt.
5. Ta bort mätstickan.
6. Kontrollera oljenivån på mätstickan.
7. Om oljenivån är låg ska du fylla på med motorolja och kontrollera oljenivån igen.

(Fig. 54)

Notera: Använd en tratt för att förhindra spill.

Byta motorolja



VARNING: Motorolja är mycket het direkt efter att motorn stoppats. Låt motorn svalna innan du tappar ur motoroljan. Om du spiller olja på huden måste du rengöra med tvål och vatten.

(Fig. 55)

1. Ta bort tändkabeln från tändstiftet.
2. Ta bort oljetanklocket.
3. Tappa ur motoroljan.
 - a) För modeller med avtappningsplugg: Ställ en behållare under avtappningspluggen att samla upp motoroljan i.
 - b) För modeller utan avtappningsplugg eller om det inte går att placera en behållare under avtappningspluggen: Använd en oljepump (tillbehör) för att tappa ur motoroljan från oljetanken.
4. Fyll på ny motorolja av den typ som rekommenderas i *Tekniska data på sida 355*.
5. Kontrollera oljenivån. Se *Kontrollera oljenivån på sida 354*.

Fylla på och byta motoroljan

- För information om hur man fyller på och byter motorolja, se bruksanvisningen för motorn.

Rengöra och byta luftfiltret (LC 5551SP, LC 551VBP)

- För information om hur man rengör och byter ut luftfiltret, se bruksanvisningen för motorn.

Ta bort och installera luftfiltret (LC 551VQ)



VARNING: Använd skyddshandskar.

1. Tryck på klämmorna på luftfilterkåpan.
2. Ta försiktigt bort luftfilterkåpan (A) från motorn.
3. Ta bort luftfiltret (B) och skumfiltret (C). (Fig. 56)
4. Undersök om luftfiltret är skadat. Byt luftfiltret om det är skadat.
5. Rengör och undersök luftfiltret. Se *Rengöring av luftfiltret (LC 551VQ) på sida 354*.
6. Installera i omvänd ordningsföljd.

Rengöring av luftfiltret (LC 551VQ)



OBSERVERA: Kör aldrig motorn utan monterat luftfilter eller om luftfiltret är smutsigt.



OBSERVERA: Byt luftfiltret om det inte blir helt rent eller om det är skadat. Ett defekt luftfilter leder till skador på motorn.

1. Tryck på spärrflikarna (A), ta bort luftfilterkåpan (B) och ta bort luftfiltret (C). (Fig. 57)
2. Slå luftfiltret mot en hård yta eller blås tryckluft genom luftfiltret från den rena sidan av luftfiltret.



OBSERVERA: Använd inte en borste för att ta bort smuts eftersom smutsen då trycks in i luftfiltret.

3. Rengör luftfilterhållaren (D) och luftfilterkåpan lock med en fuktig trasa.



OBSERVERA: Se till att ingen smuts kommer in i luftkanalen (E).

4. Installera luftfiltret. Se till att luftfiltret ligger helt tät mot luftfilterhållaren.
5. Montera luftfilterkåpan med de nedre flikarna först.

Så undersöker du tändstiftet



OBSERVERA: Använd alltid rekommenderad tändstiftstyp. Fel typ av tändstift kan orsaka skador på produkten.

- Undersök tändstiftet om motorn har låg effekt, är svår att starta eller inte fungerar korrekt vid tomgångsvarvtal.
- Följ dessa instruktioner om du vill minska risken för oönskat material på tändstiftets elektroder:
 - a) Se till att tomgångsvarvtalet är korrekt justerat.
 - b) Se till att bränsleblandningen är korrekt.
 - c) Se till att luftfiltret är rent.
- Om tändstiftet är smutsigt rengör du det och ser till att elektrodavståndet är korrekt, se *Tekniska data på sida 355*. (Fig. 58)
- Byt ut tändstiftet vid behov.

Kontrollera bränslesystemet

- Kontrollera bränsletanklocket och tätningen till bränsletanklocket för att se till att det inte finns några skador.
- Kontrollera bränsleslangen för att se till att inget läckage förekommer. Om bränsleslangen är skadad ska du låta en serviceverkstad byta ut den.

Justera hastighetsreglaget och gasreglaget

Hastighetsreglaget reglerar körhastigheten. Gasreglaget reglerar motorns varvtal.



OBSERVERA: Justera inte hastighetsreglaget när motorn är igång.

1. För att justera körhastigheten vrider du justerskraven (A) för att justera längden på kabelhöljet. Gör kabelhöljet kortare för att öka körhastigheten.
2. Om chokeläget eller stoppläget inte kan kopplas in ska du justera motorvarvtalet. Vrid justerskraven (B). (Fig. 59)

Transport, förvaring och kassering

Transport och förvaring

- Vid förvaring och transport av produkten och bränslet ska du se till att det inte förekommer något läckage eller avgaser. Gnistor eller öppen eld, t.ex. från elektriska apparater eller pannor, kan orsaka brand.
- Använd alltid godkända behållare för transport och förvaring av bränsle.
- Töm bränsletanken innan du placerar produkten för förvaring under en längre tid. Kassera bränslet på lämplig anvisad plats
- Fäst produkten ordentligt under transport för att förhindra skador och olyckor.

- Förvara produkten i ett låst utrymme för att förhindra åtkomst för barn eller personer som inte är behöriga.
- Förvara produkten på en torr och frostfri plats.

Kassering

- Följ lokala återvinningsbestämmelser och tillämpliga förordningar.
- Kassera alla kemikalier, som olja och bränsle, vid en serviceverkstad eller på lämplig anvisad plats.
- När produkten inte längre används ska du skicka den till en Husqvarna-återförsäljare eller lämna den till en återvinningsstation.

Tekniska data

	LC 551SP	LC 551VBP	LC 551VQ
Motor			
Varumärke	Kawasaki	Kawasaki	Husqvarna
Modell	FJ180V	FJ180V	HS 166AP
Motortyp	Encylindrig, fyrtakt, forcerad luftkylning, OHV	Encylindrig, fyrtakt, forcerad luftkylning, OHV	Encylindrig, fyrtakt, forcerad luftkylning, OHV
Slagvolym, cm ³	179	179	166
Varvtal, varv/min	2 800	2 800	2 800

	LC 551SP	LC 551VBP	LC 551VQ
Nominell motoreffekt, kW ¹²⁶	2,9	2,9	2,7
Tändsystem			
Tändstift	NGK BPR5ES	NGK BPR5ES	Husqvarna HQT-7
Elektroavstånd, mm	0,6–0,8	0,6–0,8	0,7–0,8
Bränsle- och smörjsystem			
Typ av motorsmörjning	Tryck med oljefilter	Tryck med oljefilter	Splash
Bränsletankens volym, l	1,9	1,9	1,5
Oljetankvolym, l	0,7	0,7	0,5
Motorolja ¹²⁷	Husqvarna SAE 30	Husqvarna SAE 30	Husqvarna SAE 30
Vikt			
Med tomma tankar, kg	48,5	52,5	51,0
Bulleremission ¹²⁸			
Ljudeffektnivå, uppmätt dB(A)	97	96	97
Ljudeffektnivå, garanterad L _{WA} dB(A)	98	98	98
Ljudnivåer ¹²⁹			
Ljudtrycksnivå vid användarens öra, dB(A)	87	84	86
Vibrationsnivåer ¹³⁰			
Handtag, m/s ²	4,5	4,5	3,2
Skärutrustning			
Klipphöjd, mm	26–74	26–74	26–74
Klippbredd, mm	510	510	510
Klinga	Uppsamling	Uppsamling	Uppsamling
Artikelnummer	5875908–10	5821494–10	5875908–10
Gräsuppsamlarens kapacitet, l	65	65	65
Drivning			
Hastighet, km/h	4,1	2,8–5	2,8–5

¹²⁶ Motorns angivna märkeffekt är medelvärdet för nettoeffekten (vid det specificerade varvtalet) hos en typisk produktionsmotor för den motormodell som mätts enligt SAE-standard J1349/ISO1585. Massproducerade motorer kan avvika från detta värde. Den faktiska uteffekten hos den motor som är installerad i slutprodukten kommer att bero på driftshastigheten, omgivningens egenskaper och andra faktorer.

¹²⁷ Om SAE-30-olja används vid lägre temperatur än 5 °C är det risk att motorn inte smörjs tillräckligt. Detta kan skada motorn. Se *Byta motorolja på sida 354* för information om rätt olja vid låga temperaturer.

¹²⁸ Bulleremission till omgivningen uppmätt som ljudeffekt (L_{WA}) enligt EG-direktiv 2000/14/EG.

¹²⁹ Ljudtrycksnivå enligt ISO 5395. Redovisade data för ljudtrycksnivå har ett typiskt spridningsmått (standardavvikelse) på 1,2 dB (A).

¹³⁰ Vibrationsnivå enligt ISO 5395. Rapporterade data för vibrationsnivå har en typisk statistisk spridning (standardavvikelse) på 0,2 m/s².

Försäkran om överensstämmelse

EU-försäkran om överensstämmelse

Vi, **Husqvarna AB**, 561 82 Huskvarna, Sverige, tel:
+46-36-146500, försäkrar på eget ansvar att produkten:

Beskrivning	Gräsklippare
Varumärke	Husqvarna
Typ/Modell	LC 551SP, LC 551VBP, LC 551VQ
Identifiering	Serienummer daterade 2022 och framåt

uppfyller alla krav i följande EU-direktiv och förordningar:

Lagstiftning	Beskrivning
2006/42/EG	"om maskiner"
2014/30/EU	"angående elektromagnetisk kompatibilitet"
2000/14/EC	"angående emission av buller till omgivningen"
2011/65/EU	"angående begränsning av användning av vissa farliga ämnen i elektrisk och elektronisk utrustning"

och att följande standarder och/eller tekniska specifikationer tillämpas: EN ISO 5395-1:2013/A1:2018, EN ISO 5395-2:2013/A1:2016/A2:2017, EN ISO 14982:2009, EN IEC 63000:2018

Anmält organ: 0404, RISE SMP Svensk Maskinprovning AB, Box 4053, SE-904 03 Umeå, Sweden har intygat överensstämmelse med rådets direktiv 2000/14/EG, procedur för utvärdering av överensstämmelse: bilaga VI.

För information om bulleremissioner, se *Tekniska data på sida 355*.

Huskvarna, 2022-09-29



Claes Losdal, utvecklingschef/trädgårdsprodukter,
Husqvarna AB

Ansvarig för teknisk dokumentation



İçindekiler

Giriş.....	358	Bakım.....	364
Güvenlik.....	359	Taşıma, depolama ve atma.....	367
Montaj.....	362	Teknik veriler.....	367
Çalışma.....	363	Uyumluluk Bildirimi.....	370

Giriş

Ürün açıklaması

Ürün, yaya kumandalı bir döner çim biçme makinesidir. Çim, çim toplama sepetinde toplanır. Çimin arkadan boşaltımı için çim toplama sepetini çıkarın. Çimi gübre haline getirmek için bir malç kiti (aksesuar) takın.

Ürüne genel bakış

(Şek. 1)

1. Motor fren kolu
2. Tutma yeri/gidon
3. Hız kontrolü
4. Tahrik kolu
5. Çalıştırma ipi kolu
6. Çim toplama sepeti
7. Tutma yeri yükseklik ayarı
8. Kesim yüksekliği kontrolü

Ürüne genel bakış

(Şek. 2)

1. Tutma yeri/gidon
2. Bıçak fren kontrolü (LC 551VBP)
3. Hız kontrolü/gaz kontrolü (LC 551VBP)
4. Tahrik kolu (LC 551VBP)
5. Başlatma engelleyici (LC 551VBP)
6. Çalıştırma ipi kolu
7. Çim toplama sepeti
8. Tutma yeri yükseklik ayarı
9. Kesim yüksekliği kontrolü
10. Yağ çubuğu/yağ deposu
11. Kesim kapağı
12. Susturucu
13. Buji
14. Hava filtresi
15. Yakıt deposu
16. Arka kapak
17. Motor fren kolu (LC 551SP)
18. Gaz kontrolü (LC 551SP)
19. Tahrik kolu (LC 551SP)
20. Kullanım kılavuzu

Kullanım amacı

Ürünü çim biçmek için kullanın. Ürünü başka işler için kullanmayın.

9. Yağ çubuğu/yağ deposu
10. Kesim kapağı
11. Susturucu
12. Buji
13. Hava filtresi
14. Yakıt deposu
15. Arka kapak
16. Kullanım kılavuzu

Ürün üzerindeki semboller

- (Şek. 3) Dikkatsiz ya da yanlış kullanım, operatörün veya çevredeki kişilerin yaralanmasına ya da ölmesine neden olabilir.
- (Şek. 4) Kullanım kılavuzunu dikkatle okuyun ve kullanımdan önce talimatları anladığınızdan emin olun.
- (Şek. 5) İnsanları ve hayvanları çalışma alanından güvenli bir uzaklıkta tutun.
- (Şek. 6) Onarım veya bakım işlemlerinden önce motoru durdurun ve ateşleme kablosunu çıkarın.
- (Şek. 7) Yağ
- (Şek. 8) Hızlı
- (Şek. 9) Yavaş
- (Şek. 10) Motoru durdurun

- (Şek. 11) Jikle
- (Şek. 12) Bıçak kavraması
- (Şek. 13) Atılan nesnelere ve seken cisimlere dikkat edin.
- (Şek. 14) El ve ayaklarınızı döner bıçaktan uzak tutun.
- (Şek. 15) El ve ayaklarınızı döner parçalardan uzak tutun.
- (Şek. 16) Bu ürün yürürlükteki AB direktiflerine uygundur.
- (Şek. 17) Bu ürün yürürlükteki Birleşik Krallık yönetmeliklerine uygundur.
- (Şek. 18) AB ve BK direktifleri ile düzenlemeleri ve Yeni Güney Galler mevzuatı "Çevre Koruma Operasyonları (Gürültü Kontrolü) Yönetmeliği 2017" uyarınca çevreye yayılan gürültü emisyonu etiketi. Ürünün garantili ses gücü düzeyi *Teknik veriler sayfa da: 367* bölümünde ve etiketin üstünde belirtilmektedir
- (Şek. 19) Motordan gelen egzoz dumanı kokusuz, zehirli ve son derece tehlikeli bir gaz olan karbon monoksit içerir. Ürünü iç mekanlarda veya kapalı alanlarda çalıştırmayın.
- (Şek. 20) Ürünü iç mekanlarda veya kapalı alanlarda çalıştırmayın.

- (Şek. 21) Patlama tehlikesi.
- (Şek. 22) Sıcak yüzey
- (Şek. 23) Motor, içerisinde yağ olmadan teslim edilir.
- (Şek. 24) Ürünü kullanmadan önce yağ doldurun.
- (Şek. 25) E85 yakıt kullanmayın.
- (Şek. 26) Ürünü açık alevden uzak tutun.
- (Şek. 27) Taranabilir kod.

Not: Ürünün üzerindeki diğer semboller/etiketler, pazara özel yasal gerekliliklerle ilgilidir.

Avrupa V Emisyonları



UYARI: Motorun kurcalanması bu ürünün AB tip onayını geçersiz kılar.

Ürün sorumluluğu

Ürün sorumluluğu yasalarında belirtildiği üzere;

- ürünün hatalı bir şekilde onarılması,
- ürünün, üretici tarafından onaylanmayan veya üreticiden alınmayan parçalarla tamir edilmesi,
- üründe, üreticiden alınmayan veya üretici tarafından onaylanmayan bir aksesuar bulunması,
- ve ürünün, onaylı bir servis merkezinde veya yetkili bir kurum tarafından tamir edilmemesi durumunda oluşabilecek hasarlardan sorumlu değildir.

Güvenlik

Güvenlik tanımları

Kılavuzdaki önemli kısımları vurgulamak için uyarılar ve notlar kullanılmıştır.



UYARI: Kılavuzdaki talimatlara uyulmadığı takdirde operatör veya çevredeki kişiler için ciddi yaralanma veya ölüm tehlikesi varsa kullanılır.



DİKKAT: Kılavuzdaki talimatlara uyulmadığı takdirde ürünün, diğer malzemelerin veya çevrenin zarar görme riski olduğunda kullanılır.

Not: Belirli bir durumda bilgi verilmesi gerektiğinde kullanılır.

Genel güvenlik talimatları



UYARI: Ürünü kullanmadan önce aşağıdaki uyarı talimatlarını okuyun.

- Bu ürün yanlış kullanıldığında veya dikkatli olmazsanız tehlikelidir. Güvenlik talimatlarına uyulmaması yaralanmalara veya ölüme yol açabilir.
- Bu ürün, çalışırken elektromanyetik bir alan oluşturur. Bu alan, bazı koşullarda aktif veya pasif tıbbi implantlarda girişime neden olabilir. Ciddi veya ölümcül yaralanma riskini azaltmak için tıbbi implantı olan kişilerin, bu ürünü kullanmadan önce doktorlarına ve tıbbi implant üreticilerine danışmalarını öneririz.
- Her zaman dikkatli olun ve sağduyunuzu kullanın. Özel bir durumda aracı nasıl kullanacağınızdan

emin değilseniz durun ve devam etmeden önce Husqvarna yetkili satıcınızla görüşün.

- Diğer insanları veya bu insanlara ait mülkleri içeren kazalardan operatörün sorumlu tutulacağını unutmayın.
- Ürünü temiz tutun. İşaretleri ve etiketleri net bir şekilde okuyabildiğinizden emin olun.
- Kullanım kılavuzunun içindekileri okuyup anladığınızdan emin olmadan kimsenin ürünü kullanmasına izin vermeyin.
- Ürünü, bir çocuğun kullanmasına izin vermeyin.
- Çocukları çalışma alanından uzakta tutun. Sorumluluk sahibi bir yetişkin her zaman orada olmalıdır.
- Talimatlar hakkında bilgisi olmayan birinin ürünü kullanmasına izin vermeyin.
- Fiziksel veya zihinsel kapasitesi düşük olan bir kişi ürünü kullanırken bu kişiyi daima gözetim altında tutun. Sorumluluk sahibi bir yetişkin her zaman orada olmalıdır.
- Ürünü yorgun, hasta veya alkol ya da ilaç etkisi altındayken kullanmayın. Bu durum görüş, dikkat, koordinasyon ve doğru bir şekilde düşünmenizi olumsuz yönde etkiler.
- Arızalıysa ürünü kullanmayın.
- Başkaları tarafından değiştirilmiş olma olasılığı varsa bu ürünü değiştirmeyin veya kullanmayın.
- Motor devir kontrolü ayarını değiştirmeyin.

Çalışma alanı güvenliği



UYARI: Ürünü kullanmadan önce aşağıdaki uyarı talimatlarını okuyun.

- Ürünü kullanmadan önce çalışma alanındaki dal, çalı çırpı ve taş gibi nesnelere alın.
- Kesme donanımına çarpan nesnelere fırlatılarak kişi ve nesnelere zarar görmesine neden olabilir. Etraftaki insanları ve hayvanları üründen güvenli bir uzaklıkta tutun.
- Ürünü sis, yağmur, kuvvetli rüzgar, şiddetli soğuk ve yıldırım düşmesi riski gibi olumsuz hava koşullarında hiçbir zaman kullanmayın. Ürünü olumsuz hava koşullarında veya nemli ya da ıslak yerlerde kullanmak yorucudur. Kötü hava, kaygan yüzeyler gibi tehlikeli koşullara neden olabilir.
- Ürünün güvenli bir şekilde çalışmasını önleyebilecek kişi, nesne ve durumlara dikkat edin.
- Kök, taş, çalı çırpı, çukur, hendek gibi engellere dikkat edin. Uzun çim nesnelere saklayabilir.
- Eğimli yerlerde çim kesmek tehlikeli olabilir. Ürünü 15°'den daha eğimli zeminlerde kullanmayın.
- Yokuşlarda ürünü yatay olarak kullanın. Yukarı ve aşağı hareket ettirmeyin.
- Gizli köşelere ve açık görüşü engelleyen nesnelere yanına giderken dikkatli olun.

Çalışma güvenliği



UYARI: Ürünü kullanmadan önce aşağıdaki uyarı talimatlarını okuyun.

- Bu ürünü yalnızca çimenlik alanlarda çim kesmek için kullanın. Ürünün başka işler için kullanılması yasaktır.
- Kişisel koruyucu araçlar kullanın. Bkz. *Kişisel koruyucu ekipman sayfa: 361*.
- Acil bir durumda motoru hızlı bir şekilde nasıl kapatacağınızı öğrenin.
- Ürünü hiçbir zaman kapalı yerlerde veya yanıcı maddelerin yakınında çalıştırmayın. Motordan çıkan egzoz dumanları sıcak ve yangın çıkmasına neden olabilecek kıvılcıklar içerir.
- Bıçağı ve tüm kapakları doğru bir şekilde takmadan ürünü çalıştırmayın. Yanlış bir şekilde takılan bıçak gevşeyerek yaralanmanıza neden olabilir.
- Bıçağın taş veya kök gibi nesnelere çarpmasına dikkat edin. Bu, bıçağa zarar verebilir ve motor milini bükülebilir. Bükülmüş aks, ağır titreşime ve çok yüksek bir bıçak gevşemesi riskine neden olabilir.
- Bıçak bir cisme çarpar veya titreşim oluşursa ürünü hemen durdurun. Ateşleme kablosunu bujiden ayırın. Üründe hasar olup olmadığını kontrol edin. Hasarları onarın veya yetkili bir servis noktasının onarım yapmasını sağlayın.
- Motor çalıştırıldığında motor fren kolunu hiçbir zaman sürekli olarak kola takmayın.
- Ürünü sabit ve düz bir yüzeye koyp çalıştırın. Bıçağın yere veya diğer cisimlere çarpmadığından emin olun.
- Ürünü çalıştırırken her zaman arkasında durun.
- Ürünü kullanırken tüm tekerleklerin yere basmasını sağlayın ve 2 elinizi kolun üzerinde tutun. Ellerinizi ve ayaklarınızı döner bıçaklardan uzakta tutun.
- Motor çalışırken ürünü yatırmayın.
- Ürünü arkaya doğru çekerken dikkatli olun.
- Motor çalışırken ürünü hiçbir zaman yukarı kaldırmayın. Ürünü kaldırmamız gerekirse önce motoru durdurun ve ateşleme kablosunu bujiden ayırın.
- Ürünü kullanırken arkaya doğru yürümeyin.
- Çakıl, taş ve asfalt gibi malzemelerden yapılmış, çim olmayan alanlardan geçerken motoru durdurun.
- Motor çalışırken ürünle birlikte koşmayın. Ürünü kullanırken her zaman yürüyün.
- Kesme yüksekliğini değiştirmeden önce motoru durdurun. Motor çalışırken asla ayarlama yapmayın.
- Motor çalışırken ürünün hiçbir zaman görüş alanından çıkmasına izin vermeyin. Motoru durdurun ve kesme donanımının dönmediğinden emin olun.

Kullanım için güvenlik talimatları

Kişisel koruyucu ekipman



UYARI: Ürünü kullanmadan önce aşağıdaki uyarı talimatlarını okuyun.

- Kişisel koruyucu ekipmanlar yaralanma riskini tamamen engelleyemez ancak bir kaza durumunda yaralanmanın derecesini azaltır. Bayinizin doğru ekipmanı seçmenize yardımcı olmasını sağlayın.
- Gürültü düzeyi 85 dB'den fazlaysa kulaklık koruma ekipmanı kullanın.
- Ağır hizmet tipi kaymayan botlar veya ayakkabılar kullanın. Açık ayakkabılar giymeyin veya çıplak ayakla yürümeyin.
- Kalın, uzun pantolonlar giyin.
- Kesme donanımını takma, kontrol etme veya temizleme gibi gerekli durumlarda koruyucu eldivenler kullanın.

Ürünün üzerindeki güvenlik araçları



UYARI: Ürünü kullanmadan önce aşağıdaki uyarı talimatlarını okuyun.

- Güvenlik cihazları hasarlı olan veya düzgün çalışmayan bir ürünü kullanmayın.
- Güvenlik araçlarını düzenli olarak kontrol edin. Güvenlik cihazları hasarlıysa veya düzgün çalışmıyorsa Husqvarna servis noktanızla görüşün.
- Güvenlik araçları üzerinde değişiklik yapmayın.

Kesme kapağını kontrol etme

Kesme kapağı, üründeki titreşimleri ve bıçakla yaralanma riskini azaltır.

- Çatlak gibi hasarlar olmadığından emin olmak için kesme kapağını inceleyin.

Motor fren kolunu kontrol etme (LC 551SP, LC 551VQ)

Motor fren kolu, motoru durdurur. Motor fren kolu bırakıldığında motor durur.

- Motoru çalıştırın ve ardından motor fren kolunu serbest bırakın. Motor 3 saniye içinde durmazsa motor frenini onaylı Husqvarna servis noktasına ayarlatın. (Şek. 28)

Bıçak fren kontrolünü ve başlatma engelleyiciyi kontrol etme (LC 551VBP)

Bıçak fren kontrolü; motoru değil, yalnızca bıçağı durdurur. Bıçak fren kontrolü serbest bırakıldığında bıçak durur.

1. Motoru başlatın.

2. Bıçak fren kontrolünü, gidonun yönünde itin. Başlatma engelleyici, hareketi durdurur.
3. Başlatma engelleyiciyi dışarı doğru itin.
4. Bıçak fren kontrolünü, gidonun yönünde itin. Bıçak dönmeye başlar.
5. Bıçak fren kontrolünü serbest bırakın. Bıçak 3 saniye içinde durmazsa bıçak frenini onaylı bir Husqvarna servis noktasına ayarlatın. (Şek. 29)
6. Başlatma engelleyicinin ilk konumuna geri gittiğinden emin olun.

Susturucu

Susturucu, gürültü düzeyini minimum seviyede tutar ve egzoz dumanlarını operatörden uzağa gönderir.

Susturucu yoksa veya arızalıysa ürünü kullanmayın. Arızalı bir susturucu, gürültü düzeyini ve yangın riskini artırır.



UYARI: Susturucu kullanım sırasında, kullanım sonrasında ve motor rölantide çalışırken çok sıcak olur. Yangını önlemek için yanıcı malzemelerin ve/veya dumanların yakınında dikkatli olun.

Susturucuyu kontrol etme

- Düzgün takıldığından ve hasarlı olmadığından emin olmak için susturucuyu düzenli olarak kontrol edin.

Yakıt güvenliği



UYARI: Ürünü kullanmadan önce aşağıdaki uyarı talimatlarını okuyun.

- Ürünün üzerinde yakıt veya motor yağı varsa ürünü çalıştırmayın. İstenmeyen yakıtı/yağı temizleyin ve ürünün kurumasını bekleyin.
- Kıyafetlerinize yakıt bulaşınca kıyafetlerinizi hemen değiştirin.
- Vücudunuza yakıt bulaştırmayın; bu, yaralanmaya sebep olabilir. Vücudunuza yakıt bulaşınca yakıtı temizlemek için su ve sabun kullanın.
- Motorda sızıntı varsa ürünü çalıştırmayın. Motorda sızıntı olup olmadığını düzenli olarak kontrol edin.
- Yakıtla uğraşırken dikkatli olun. Yakıt yanıcı ve dumanlar patlayıcıdır; yaralanmalara veya ölüme sebep olabilir.
- Yaralanmaya sebep olabileceğinden yakıt dumanını solumayın. Yeterli hava akışı olduğundan emin olun.
- Yakıtın veya motorun yakınında sigara içmeyin.
- Yakıtın veya motorun yakınına sıcak nesnelere koymayın.
- Motor açıkken yakıt eklemeyin.
- Yakıtı yenilemeden önce motorun soğuduğundan emin olun.

- Yakıtı yenilemeden önce yakıt tankı kapağını yavaşça açın ve basıncı dikkatlice tahliye edin.
- Kapalı bir alanda motora yakıt eklemeyin. Nefessiz kalma veya karbon monoksit nedeniyle yeterli hava akışının olmaması yaralanmaya veya ölüme sebep olabilir.
- Yakıt tankı kapağını tamamen sıkın. Yakıt tankı kapağı sıkılmamışsa yangın riski vardır.
- Çalıştırmadan önce ürünü, yakıt tankını doldurduğunuz konumdan en az 3 m/10 ft uzağa taşıyın.
- Yakıt tankını tamamen doldurmayın. Isı yakıtın genişlemesine neden olur. Yakıt tankının üst kısmında boşluk bırakın.

Bakım için güvenlik talimatları



UYARI: Ürünü kullanmadan önce aşağıdaki uyarı talimatlarını okuyun.

- Motordan gelen egzoz dumanı kokusuz, zehirli ve son derece tehlikeli bir gaz olan karbon monoksit

- içerir. Motoru iç mekanlarda veya kapalı alanlarda çalıştırmayın.
- Ürün üzerinde bakım yapmadan önce motoru durdurup ateşleme kablosunu bujiden çıkarın.
- Kesme donanımı üzerinde bakım yaparken koruyucu eldiven kullanın. Bıçak çok keskindir ve kolaylıkla kesiklere yol açabilir.
- Üretici tarafından onaylanmamış aksesuarlar ve ürün değişiklikleri, ciddi yaralanmalara veya ölüme neden olabilir. Ürünü değiştirmeyin. Her zaman üretici tarafından onaylanmış aksesuarları kullanın.
- Bakım işlemi doğru ve düzenli şekilde yapılmadığı takdirde yaralanma ve ürün hasarı riski artar.
- Bakım işlemini yalnızca kullanıcı kılavuzunda belirtildiği şekilde gerçekleştirin. Diğer tüm servis ve bakım işlemleri, onaylı Husqvarna servis noktası tarafından yapılmalıdır.
- Ürün üzerindeki servis işlemlerini düzenli olarak Husqvarna servis noktasına yaptırın.
- Hasarlı, aşınmış ya da kırık parçaları değiştirin.

Montaj

Giriş



UYARI: Ürünü monte etmeden önce güvenlik bölümünü okuyup anlamalısınız.



UYARI: Ürünün montajını yapmadan önce buji kablosunu bujiden çıkarın.

Tutma yerini takma

1. Ürünün sol ve sağ taraflarındaki alt düğmeleri gevşetin. Plastik rondelanın, tutma yeri braketindeki boşlukta olduğundan emin olun. (Şek. 30)
2. Tutma yerini şekilde gösterildiği gibi öne katlı olarak takın. (Şek. 31)
 - a) Plastik rondelanın, tutma yeri ve tutma yeri braketi arasındaki boşlukta olduğundan emin olun.
 - b) Tutma yerini, tutma yeri braketine takın.
3. Tutma yerini yukarı kaldırın. (Şek. 32)
4. Düğmeleri tamamen sıkın. Tutma yeri yüksekliğini ayarlamak için bkz. *Kol yüksekliğini ayarlama sayfa: 362*.
5. Kabloları, kablo braketlerine yerleştirin. Kabloların bükülmüş olmadığından emin olun. Kablo braketlerini tutma yerine takın. (Şek. 33)
6. Kabloları tutma yeri braketine sabitlemek için kablo bağı kullanın. (Şek. 34)

Kol yüksekliğini ayarlama

1. Alt düğmeleri gevşetin.
2. Düğmeleri ürünün sol ve sağ tarafındaki girintilerin alttaki ucuna getirin. (Şek. 35)
3. Tutma yeri yüksekliğini mevcut iki konumdan birine ayarlayın.
4. Düğmeleri durana ve tık sesi duyulana kadar gidon yönünde yukarı hareket ettirin. (Şek. 36)
5. Düğmeleri tamamen sıkın.

Ürünü taşıma konumuna getirme

1. Çim toplama sepetini çıkarın.
2. Alt düğmeleri gevşetin.
3. Düğmeleri ürünün sol ve sağ tarafındaki girintilerin alttaki ucuna getirin. (Şek. 35)
4. Kolu öne doğru katlayın. (Şek. 37)

Ürünü çalışma konumuna getirme

1. Gidonu yukarı kaldırın. (Şek. 32)
2. Düğmeleri durana ve tık sesi duyulana kadar gidon yönünde yukarı hareket ettirin. (Şek. 36)
3. Düğmeleri tamamen sıkın.

Çim toplama sepetinin takılması

1. Çim toplama sepeti çerçevesini, torbanın sert kısmı aşağı gelecek şekilde çim torbasına takın. Çerçevenin kolunu çim torbasının üst kısmında tutun. (Şek. 38)

- Çim toplama sepeti çerçevesinin altını, çim torbasının altına takın. (Şek. 39)
 - Çim toplama sepeti çerçevesini boşluğa yerleştirin. Şekilde gösterildiği sağdan başlayıp yavaşça sola doğru ilerleyin.
- Çim toplama sepeti çerçevesini kolayca takamıyorsanız lastik bir tokmakla çim toplama sepeti çerçevesine dikkatli bir şekilde vurun. Çim toplama sepeti çerçevesine destek noktalarının arasından vurun. (Şek. 40)
- Çim torbasını, klipslerle çim toplama sepeti çerçevesine takın. (Şek. 41)
- Arka kapağı kaldırın.
- Çim toplama sepetini şasinin üst kenarına takın.
- Çim toplama sepetinin alt kısmını çim boşaltma kanalına yerleştirin. (Şek. 42)

Malç tapasının (aksesuar) takılması

- Arka kapağı kaldırın ve çim toplama sepetini sökün.
- Malç tapasını boşaltma kanalının içine yerleştirin. (Şek. 43)
- Bıçağı, malç kitinde tedarik edilen malç bıçağıyla değiştirin. Bkz. *Bıçağı değiştirme sayfa: 365*.

Çim toplama sepeti veya malç tapası takılı değilken çimlerin kesilmesi

- Arka kapağı kaldırın ve çim toplama sepetini sökün.
- Malç tapası ve malç bıçağı takılıysa bunları çıkarın.
- Ürünü çalıştırmadan önce arka kapağı kapatın.

Çalışma sırasında kesilen çim arka kapağın alt kısmından boşaltılır.

Çalışma

Giriş



UYARI: Ürünü kullanmadan önce güvenlik bölümünü okuyup anlamalısınız.

Husqvarna Connect

Husqvarna Connect, mobil cihazınız için ücretsiz bir uygulamadır. Husqvarna Connect uygulaması, Husqvarna ürününüz için ayrıntılı işlevler sunar:

- Ayrıntılı ürün bilgileri.
- Ürün parçaları ve servis hakkında bilgi ve yardım.

Husqvarna Connect uygulamasını kullanmaya başlamak için

- Husqvarna Connect uygulamasını mobil cihazınıza indirin.
- Husqvarna Connect uygulamasında kaydolun.
- Ürünü bağlamak ve kaydetmek için Husqvarna Connect uygulamasındaki talimatları izleyin.

Ürünü çalıştırmadan önce

- Kullanım kılavuzunu dikkatle okuyun ve talimatları anladığınızdan emin olun.
- Doğru bir şekilde takılıp ayarlandığından emin olmak için kesme donanımını inceleyin. Bkz. *Kesme donanımını kontrol etme sayfa: 365*.
- Yakıt tankını doldurun. Bkz. *Yakıt doldurma sayfa: 363*.
- Yağ tankını doldurun ve yağ seviyesini kontrol edin. Bkz. *Yağ seviyesini kontrol etme sayfa: 366*.

Yakıt doldurma

Varsa düşük emisyonlu/alkilat benzin kullanın. Düşük emisyonlu/alkilat benzin yoksa kaliteli kurşunsuz benzin

veya oktan numarası 90'ın altında olmayan kurşunlu benzin kullanın.



DİKKAT: Oktan numarası 90 RON (87 AKI) değerinin altında olan benzin kullanmayın. Bu, üründe hasara neden olabilir.

- Basıncı tahliye etmek için yakıt tankı kapağını yavaşça açın.
- Yakıt bidonuyla yavaşça doldurun. Yakıt dökerseniz bezle silin ve kalan yakıtı kurumaya bırakın. (Şek. 44)
- Yakıt tankı kapağının çevresini temizleyin.
- Yakıt tankı kapağını tamamen sıkın. Yakıt tankı kapağı sıkılmamışsa yangın riski vardır.
- Çalıştırmadan önce ürünü, yakıt tankını doldurduğunuz konumdan en az 3 m (10 ft) uzağa taşıyın.

Kesim yüksekliğini ayarlama

Kesme yüksekliği 6 seviyede ayarlanabilir.

- Kesme yüksekliğini artırmak için kesme yüksekliği kontrolünü önce tekerlek yönüne, ardından geriye doğru itin.
- Kesme yüksekliğini azaltmak için kesme yüksekliği kontrolünü önce tekerlek yönüne, ardından ileriye doğru itin. (Şek. 45)



DİKKAT: Kesme yüksekliğini çok alçakta belirlemeyin. Çimenlik alanın yüzeyi düz değilse bıçaklar yere çarpabilir.

Ürünü çalıştırma (LC 551VQ)

1. Ateşleme kablosunun bujiye bağlandığından emin olun.
2. Ürünün arkasında durun.
3. Motor fren kolunu gidona bastırın. (Şek. 46)
4. Çalıştırma ipi kolunu sağ elinizle tutun.
5. Çalıştırma ipini bir miktar direnç hissedene kadar yavaşça çekin.
6. Motoru çalıştırmak için kuvvetlice çekin.

Ürünü çalıştırma (LC 551SP, LC 551VBP)

1. Ateşleme kablosunun bujiye bağlandığından emin olun.
2. Ürünün arkasında durun.
3. Gaz kontrolünü ayarlayın.
 - a) Motor soğuksa gaz kontrolünü jikle konumuna getirin. (Şek. 47)
 - b) Motor sıcaksa gaz kontrolünü jikle konumuna getirmeyin.
4. LC 551SP modelinde motor fren kolunu, gidona bastırın. (Şek. 46)
5. Çalıştırma ipinin kolunu sağ elinizle tutun.
6. Çalıştırma ipini bir miktar direnç hissedene kadar yavaşça çekin.
7. Motoru çalıştırmak için kuvvetlice çekin.
8. Gaz kontrolünü tam gaz olarak ayarlayın.
9. LC 551VBP modelinde:
 - a) Başlatma engelleyiciyi serbest bırakın.
 - b) Bıçakları çalıştırmak için bıçak fren kontrolünü gidonun yönünde itin.

Tekerleklerde tahriki kullanma

- Tahrik kolunu gidonun yönünde çekin. (Şek. 48)

- LC 551VQ ve LC 551VBP modelleri için: Tutma yerinin sol tarafında bulunan hız kontrolüyle tahrik hızını ayarlayın. Hızı artırmak için hız kontrolünü ileriye, azaltmak için geriye hareket ettirin. (Şek. 49)
- Ürünü geriye doğru çekmeden önce tahriki devre dışı bırakın ve ürünü yaklaşık 10 cm ileri itin.
- Örneğin bir engele yaklaştığınızda, tahriki devre dışı bırakmak için tahrik kolunu serbest bırakın.

Ürünü durdurma (LC 551SP, LC 551VQ)

- Yalnızca tahriki durdurmak için tahrik kolunu serbest bırakın.
- Motoru durdurmak için motor fren kolunu serbest bırakın.

(LC 551VBP) ürünü durdurma

- Yalnızca tahriki durdurmak için tahrik kolunu serbest bırakın.
- Motoru durdurmak için gaz kontrolünü durdurma konumuna getirin.

İyi sonuç alma

- Her zaman keskin bıçak kullanın. Kör bıçak, düzensiz bir sonuç verir ve çimin kesme yüzeyi sarı olur. Ayrıca keskin bıçak kör bıçaktan daha az güç kullanır.
- Çim boyunun ¼'sinden fazlasını kesmeyin. Önce kesme yüksekliği yüksek ayardayken kesmeye başlayın. Sonucu inceleyin ve kesme yüksekliğini uygun seviyeye indirin. Çimler çok uzunsa makineyi yavaş kullanın ve gerekirse 2 kere kesin.
- Her seferinde farklı yönlerde keserek çimenlik alanda çizgi oluşmasını önleyin.
- Kesme kapağını temiz tutun. Kesme kapağının iç tarafında çim ve kir birikmesi kesme performansını zayıflatabilir. Bkz. *Kesme kapağının iç yüzeyini temizleme sayfa: 365.*

Bakım

Giriş



UYARI: Bakım yapmadan önce güvenlik bölümünü okuyup anlamazın gerekir.

Ürüne uygulanacak tüm servis ve onarım işlemleri için özel eğitim gereklidir. Profesyonel onarım ve servis hizmetlerinin mevcut bulunduğunu garanti etmekteyiz. Yetkili satıcınız servis noktası değilse kendisiyle görüşüp en yakınınızdaki servis noktası hakkında bilgi edinin.

Daha ayrıntılı bilgi için bkz. www.husqvarna.com.

Bakım takvimi



DİKKAT: Ürünü eğerken hava filtresinin yere dayalı değil, yukarı dönük olduğundan emin olun. Motor hasarı riski.

Bakım aralıkları, ürünün günlük kullanımına göre hesaplanır. Ürün her gün kullanılmıyorsa aralıklar değişir.

* İşaretili bakım işlemleri için şu bölümdeki talimatlara bakın: *Ürünün üzerindeki güvenlik araçları sayfa: 361.*

Bakım	Günlük	Haftalık	Aylık
Genel inceleme yapma	X		
Yağ seviyesini inceleme	X		
Ürünü temizleme	X		
Kesme ekipmanını inceleme	X		
Kesim kapağını inceleme *	X		
Motor fren kolunu inceleme * LC 551SP, LC 551VQ	X		
Bıçak fren kontrolünü inceleme * LC 551VBP	X		
Susturucuyu inceleme *		X	
Bujiyi inceleme		X	
Yağ değişimi (ilk kullanımda 5 saatten sonra, daha sonra her 50 saatlik kullanımda ve yılda bir)			X
Hava filtresini temizleme veya değiştirme			X
Yakıt sistemini inceleme			X

Genel denetim yapma

- Ürünün üzerindeki tüm somun ve vidaların doğru şekilde sıkıldığından emin olun.

Ürünü temizleme

- Plastik parçaları temiz ve kuru bir bezle temizleyin.
- Ürünü temizlemek için su kullanmayın. Aküye veya motora su girebilir ve üründe kısa devreye veya hasara neden olabilir.
- Ürünü temizlemek için basınçlı yıkama makinesi kullanmayın.
- Motora doğrudan su tutmayın.
- Yaprak, çim ve kirleri gidermek için fırça kullanın.
- Kavrama kapağını çıkarın, bir fırça yardımıyla kavrama kapağının altındaki çimleri temizleyin. (LC 551VBP)

Kesme kapağının iç yüzeyini temizleme

1. Yakıt tankını boşaltın.
2. Ürünü susturuculu yanı alta gelecek şekilde yerleştirin.



DİKKAT: Ürün hava filtresi alta gelecek şekilde yerleştirilirse motor hasar görebilir.

3. Kesme kapağının iç yüzeyini hortum kullanarak suyla yıkayın.

Kesme donanımını kontrol etme



UYARI: Kazara çalışmayı önlemek için ateşleme kablosunu bujiden ayırın.



UYARI: Kesme donanımına bakım yaptığınızda koruyucu eldivenler kullanın. Bıçak çok keskindir ve kolaylıkla kesiklere yol açabilir.

1. Kesme donanımında hasar veya çatlak olup olmadığını inceleyin. Hasarlı bir kesme donanımını kesinlikle değiştirin.
2. Hasarlı veya kör olup olmadığını anlamak için bıçağa bakın.

Not: Bilendikten sonra bıçağı dengelemek gerekir. Bıçağın bir servis merkezinde bilenmesini, değiştirilmesini ve dengelenmesini sağlayın. Ürünün durmasına neden olan bir engele çarparsanız hasarlı bıçağı değiştirin. Bıçağın bilenip bilenmeyeceğini veya değiştirmek gerekip gerekmediğine servis merkezinin karar vermesini sağlayın.

Bıçağı değiştirme

1. Bıçağı ahşap bir blokla kilitleyin. (Şek. 50)
2. Bıçak civatasını sökün.
3. Bıçağı sökün.
4. Bıçak desteğinde ve bıçak civatasında hasar olup olmadığını kontrol edin.

5. Motor milini inceleyip bükülmediğinden emin olun.
6. Yeni bıçak taktığınızda bıçağın açılı uçlarını kesim kapağı yönüne çevirin. (Şek. 51)
7. Bıçağın, motor milinin orta kısmıyla hizalandığından emin olun.
8. Bıçağı ahsap bir blokla kilitleyin. (Şek. 52)
9. Bıçağı takın.
 - a) LC 551SP, LC 551VQ modelinde yaylı rondelayı takıp civatayı ve rondelayı 70 Nm torkla sıkın.
 - b) LC 551VBP modelinde civataları 50 Nm torkla sıkın. (Şek. 53)
10. Bıçağı elinizle çekerek döndürün ve serbestçe döndüğünden emin olun.



UYARI: Ağır hizmet tipi eldiven kullanın. Bıçak çok keskindir ve kolaylıkla yaralanmalara yol açabilir.

11. Bıçağı test etmek için ürünü çalıştırın. Bıçak doğru bir şekilde takılmadıysa üründe titreşim olur veya kesme işleminin sonucu başarısızdır.

Yağ seviyesini kontrol etme



DİKKAT: Yağ seviyesinin çok düşük olması motora zarar verebilir. Ürünü çalıştırmadan önce yağ seviyesini kontrol edin.

1. Ürünü düz bir zemine koyun.
2. Yağ çubuğu takılı yağ deposu kapağını çıkarın.
3. Yağ çubuğundaki yağı temizleyin.
4. Yağ çubuğunu yağ deposuna tamamen itin. Yağ seviyesinin doğru belirlenmesi için yağ deposu kapağını sıkın.
5. Yağ çubuğunu çıkarın.
6. Yağ çubuğundaki yağ seviyesini kontrol edin.
7. Yağ seviyesi düşükse motor yağı doldurun ve yağ seviyesini tekrar kontrol edin.

(Şek. 54)

Not: Dökülmeyi önlemek için huni kullanın.

Motor yağının değiştirilmesi



UYARI: Motor yağı, motor durdurulduktan hemen sonra çok sıcaktır. Motor yağını boşaltmadan önce motorun soğumasını bekleyin. Cildinize motor yağı dökülürse sabun ve suyla temizleyin.

(Şek. 55)

1. Ateşleme kablosunu bujiden çıkarın.

2. Yağ deposu kapağını çıkarın.
3. Motor yağını boşaltın.
 - a) Yağ tahliye tapası bulunan modeller için: Yağ tahliye tapasının altına motor yağını alacak bir kap yerleştirin.
 - b) Yağ tahliye tapası bulunmayan modeller için veya yağ tahliye tapasının altına bir kap koyulmıyorsa: Bir yağ pompası (aksesuar) kullanarak yağ deposundaki motor yağını tahliye edin.
4. Şu bölümde tavsiye edilen tipte yeni motor yağı doldurun: *Teknik veriler sayfa: 367.*
5. Yağ seviyesini kontrol edin. Bkz. *Yağ seviyesini kontrol etme sayfa: 366.*

Motor yağının doldurulması ve değiştirilmesi

- Motor yağının doldurulması ve değiştirilmesi hakkında bilgi için motor kullanım kılavuzuna bakın.

Hava filtresini temizleme ve değiştirme (LC 5551SP, LC 551VBP)

- Hava filtresinin temizlenmesi ve değiştirilmesi hakkında bilgi için motor kullanım kılavuzuna bakın.

Hava filtresini çıkarma ve takma (LC 551VQ)



UYARI: Koruyucu eldivenler kullanın.

1. Hava filtresi kapağının üzerindeki klipslere bastırın.
2. Hava filtresi kapağını (A) motordan dikkatlice çıkarın.
3. Hava filtresini (B) ve köpük filtreyi (C) çıkarın. (Şek. 56)
4. Hava filtresinde hasar olup olmadığını kontrol edin. Hasar görmüş hava filtresini değiştirin.
5. Hava filtresini temizleyin ve kontrol edin. Bkz. *Hava filtresini temizleme (LC 551VQ) sayfa: 366.*
6. Ters sırayla takın.

Hava filtresini temizleme (LC 551VQ)



DİKKAT: Hava filtresi takılı değilse veya kirliyse motoru çalıştırmayın.



DİKKAT: Tamamen temizlenemiyor ya da hasarlıysa hava filtresini değiştirin. Arızalı bir hava filtresi motorda hasara neden olur.

1. Mandal tırnaklarını (A) itin, hava filtresi kapağını (B) ve hava filtresini (C) çıkarın. (Şek. 57)

2. Hava filtresini sert bir yüzeye vurun veya hava filtresinin temiz tarafından hava filtresine doğru basınçlı hava üfleyin.



DİKKAT: Kiri hava filtresinin içine iteceğinden kiri temizlemek için fırça kullanmayın.

3. Hava filtresi tutucusunu (D) ve hava filtresi kapağını nemli bir bezle temizleyin.



DİKKAT: Hava kanalına (E) kir girmediğinden emin olun.

4. Hava filtresini takın. Hava filtresinin hava filtresi tutucusuna tamamen oturduğundan emin olun.
5. Hava filtresi kapağını alttaki tırnaklardan başlayarak takın.

Bujinin kontrol edilmesi



DİKKAT: Daima önerilen tipte buji kullanın. Yanlış buji türü ürüne zarar verebilir.

- Motor gücü düşükse, çalıştırılması kolay değilse veya rölantide düzgün bir şekilde çalışmıyorsa bujii kontrol edin.
- Buji elektrotlarında istenmeyen nesne riskini azaltmak için şu talimatlara uyun:
 - a) Rölanti hızının doğru ayarlandığından emin olun.

- a) Yakıt karışımının doğru olduğundan emin olun.
 - c) Hava filtresinin temiz olduğundan emin olun.
- Buji kirliyse temizleyin ve elektrot boşluğunun doğru olduğundan emin olun, bkz. *Teknik veriler sayfa: 367.* (Şek. 58)
 - Gerekirse bujii değiştirin.

Yakıt sistemini kontrol etme

- Hasar olmadığından emin olmak için yakıt tankı kapağını ve yakıt tankı kapağının contasını inceleyin.
- Sızıntı olmadığından emin olmak için yakıt hortumunu inceleyin. Yakıt hortumu hasarlıysa bir servis noktasında değiştirilmesini sağlayın.

Hız kontrolü ve gaz kontrolünü ayarlama

Hız kontrolü, tahrik hızını ayarlar. Gaz kontrolü, motor devrini ayarlar.



DİKKAT: Motor çalışırken hız kontrolünü ayarlamayın.

1. Tahrik hızını ayarlamak için kablo kılıfı uzunluğunu değiştirmek amacıyla ayar vidasını (A) çevirin. Tahrik hızını artırmak için kablo kılıfı uzunluğunu azaltın.
2. Jikle konumu veya durdurma konumu devreye alınmıyorsa motor devrini ayarlayın. Ayar vidasını (B) çevirin. (Şek. 59)

Taşıma, depolama ve atma

Taşıma ve saklama

- Ürün ile yakıtı taşımak ve saklamak için sızıntı veya duman olmadığından emin olun. Örneğin, elektrikli cihazlardan veya kazanlardan kaynaklanan kıvılcım veya açık alevler yangın çıkarabilir.
- Yakıtı taşımak ve saklamak için her zaman onaylı kaplar kullanın.
- Ürünü uzun bir süre için saklama yerine koymadan önce yakıt tankını boşaltın. Yakıtı uygun bir çöp atma merkezinde bertaraf edin
- Hasar veya kaza olmasını önlemek için taşıma sırasında ürünü güvenli bir şekilde bağlayın.

- Çocukların veya yetkili olmayan kişilerin erişmesini önlemek için ürünü kilitle bir alanda tutun.
- Ürünü kuru ve donmayan bir yerde tutun.

Atma

- Yerel geri dönüşüm gerekliliklerine ve geçerli düzenlemelere uyun.
- Motor yağı veya yakıt gibi kimyasalları servis merkezinde veya uygun bir atık noktasında atın.
- Ürün artık kullanılmıyorsa ürünü Husqvarna bayisine gönderin veya geri dönüşüm noktasında atın.

Teknik veriler

	LC 551SP	LC 551VBP	LC 551VQ
Motor			
Marka	Kawasaki	Kawasaki	Husqvarna
Model	FJ180V	FJ180V	HS 166AP

	LC 551SP	LC 551VBP	LC 551VQ
Motor tipi	Tek silindirli, 4 Zamanlı, Basıncılı Havayla Soğutma, OHV	Tek silindirli, 4 Zamanlı, Basıncılı Havayla Soğutma, OHV	Tek silindirli, 4 Zamanlı, Basıncılı Havayla Soğutma, OHV
Hacim, cm ³	179	179	166
Devir, dev/dak	2800	2800	2800
Nominal motor çıkış gücü, kW ¹³¹	2,9	2,9	2,7
Ateşleme Sistemi			
Buji	NGK BPR5ES	NGK BPR5ES	Husqvarna HQT-7
Elektrot boşluğu, mm	0,6-0,8	0,6-0,8	0,7-0,8
Yakıt ve yağlama sistemi			
Motor yağlama türü	Yağ filtresi ile basınçla yağlama	Yağ filtresi ile basınçla yağlama	Çarpmalı yağlama
Yakıt deposu kapasitesi, l	1,9	1,9	1,5
Yağ deposu kapasitesi, l	0,7	0,7	0,5
Motor yağı ¹³²	Husqvarna SAE 30	Husqvarna SAE 30	Husqvarna SAE 30
Ağırlık			
Boş depolarla birlikte, kg	48,5	52,5	51,0
Gürültü emisyonu ¹³³			
Ses gücü düzeyi, ölçülmüş dB (A)	97	96	97
Ses gücü düzeyi, garantili L _{WA} dB (A)	98	98	98
Ses düzeyleri ¹³⁴			
Operatörün kulağındaki ses basıncı düzeyi, dB (A)	87	84	86
Titreşim düzeyleri ¹³⁵			
Tutma yeri, m/sn ²	4,5	4,5	3,2
Kesme ekipmanı			
Kesim yüksekliği, mm	26-74	26-74	26-74
Kesim genişliği, mm	510	510	510
Bıçak	Collect	Collect	Collect

¹³¹ Motor için gösterilen güç derecesi SAE J1349/ISO1585 standardına göre ölçülen motor modeli için tipik bir üretim motorunun (belirlenmiş dev/dak'da) ortalama net güç çıkışıdır. Seri üretim motorları bu değerden farklı olabilir. Ürünün son haline takılan motorun gerçek güç çıkışı çalışma hızına, çevre koşullarına ve diğer değerlere bağlıdır.

¹³² SAE-30 yağ, +5°C'nin altındaki sıcaklıkta kullanılırsa motoru yeterince yağlayamayabilir. Bu, motora zarar verebilir. Bkz. *Motor yağının değiştirilmesi sayfa: 366* Düşük sıcaklıklara yönelik doğru yağ için.

¹³³ 2000/14/AT sayılı AT direktifi uyarınca ses gücü (L_{WA}) olarak çevrede ölçülen gürültü emisyonu düzeyi.

¹³⁴ ISO 5395'e göre ses basıncı düzeyi. Ses basıncı düzeyi için bildirilen verilerdeki tipik istatistik dağılım (standart sapma) 1,2 dB(A) şeklindedir.

¹³⁵ ISO 5395'e göre titreşim düzeyi. Titreşim düzeyi için bildirilen verilerdeki tipik istatistik dağılım (standart sapma) 0,2 m/sn² şeklindedir.

	LC 551SP	LC 551VBP	LC 551VQ
Ürün numarası	5875908-10	5821494-10	5875908-10
Çim toplama sepeti kapasitesi, l	65	65	65
Tahrik			
Hız, km/sa.	4,1	2,8-5	2,8-5

Uyumluluk Bildirimi

AB Uyumluluk Bildirimi

Biz, **Husqvarna AB**, SE-561 82 Huskvarna, İsveç, tel: +46-36-146500 olarak tek sorumlu vasfıyla ürüne ilişkin aşağıdaki beyanlarda bulunmaktayız:

Açıklama	Çim Bıçme Makinesi
Marka	Husqvarna
Tip/Model	LC 551SP, LC 551VBP, LC 551VQ
Kimlik	2022 ve sonrası tarihli seri numaraları

aşağıdaki AB direktifleri ve yönetmelikleriyle tamamen uyumludur:

Düzenleme	Açıklama
2006/42/AT	"makinelele ilgili"
2014/30/AB	"elektromanyetik uyumlulukla ilgili"
2000/14/AT	"çevredeki gürültü emisyonlarıyla ilgili"
2011/65/AB	"elektrikli ve elektronik ekipmanlarda belirli tehlikeli maddelerin kullanımının kısıtlanmasıyla ilgili"

ve aşağıdaki standartlar ve/veya teknik özellikler uygulanmıştır: EN ISO 5395-1:2013/A1:2018, EN ISO 5395-2:2013/A1:2016/A2:2017, EN ISO 14982:2009, EN IEC 63000:2018

Onaylanmış Kuruluş: 0404, RISE SMP Svensk Maskinprovning AB, Box 4053, SE-904 03 Umeå, Sweden 2000/14/AT konsey direktifi, uyumluluk değerlendirme prosedürü: Ek VI ile uyumluluğu belgelemiştir.

Gürültü emisyonları ile ilgili bilgi için bkz. *Teknik veriler sayfa: 367*.

Huskvarna, 2022-09-29



Claes Losdal, Geliştirme Müdürü/Bahçe Ürünleri
Husqvarna AB

Teknik dokümantasyon sorumlusu

Türk ithalat şirketi daha fazla bilgi için temas edilecek:
Çullas Orman Bahçe ve Tarım Mak. San. Tic. A.Ş.
Suadiye Mh. Bağdat Cd. No:455/4
Kadıköy – 34740 İstanbul / Türkiye
Telefon: +90 216 519 88 82
Faks: +90 216 519 88 78
info@cullas.com.tr



Зміст

Вступ.....	371	ТЕХНІЧНЕ ОБСЛУГОВУВАННЯ.....	378
Безпека.....	372	Транспортування, зберігання й утилізація.....	382
Збирання.....	376	Технічні характеристики.....	382
Експлуатація.....	377	Декларація відповідності.....	384

Вступ

Опис виробу

Цей виріб – обертальна газонокосарка, керована пішим оператором. Трава збирається в травозбірник. Для того, щоб трава викидалася ззаду, приборіть травозбірник. Для того, щоб перетворити траву на добриво, встановіть приладдя для мульчування (аксесуар).

Огляд виробу

(Мал. 1)

1. Ручка зупинення двигуна
2. Ручка/рукоятка
3. Регулятор швидкості
4. Привідна скоба
5. Ручка стартера
6. Травозбірник
7. Регулятор висоти ручки
8. Регулятор висоти різання

Огляд виробу

(Мал. 2)

1. Ручка/рукоятка
2. Механізм керування гальмом леза (LC 551VBP)
3. Регулятор швидкості / регулятор газу (LC 551VBP)
4. Приводна скоба (LC 551VBP)
5. Обмежувач запуску (LC 551VBP)
6. Ручка стартера
7. Травозбірник
8. Регулятор висоти ручки
9. Регулятор висоти різання
10. Вимірювальний стрижень / бак для оливи
11. Кожух леза
12. Глушник
13. Свічка запалювання
14. Повітряний фільтр
15. Паливний бак
16. Задній кожух
17. Ручка зупинення двигуна (LC 551SP)
18. Регулятор газу (LC 551SP)
19. Приводна скоба (LC 551SP)
20. Посібник користувача

Призначення

Користуйтеся виробом для зрізання трави. Забороняється використовувати виріб для інших завдань.

9. Вимірювальний стрижень / бак для оливи
10. Кожух леза
11. Глушник
12. Свічка запалювання
13. Повітряний фільтр
14. Паливний бак
15. Задній кожух
16. Посібник користувача

Символи на виробі

- (Мал. 3) Неуважне чи неправильне використання може призвести до травм або смерті оператора чи інших осіб.
- (Мал. 4) Перед користуванням виробом уважно прочитайте посібник користувача й переконайтеся, що ви зрозуміли всі вказівки.
- (Мал. 5) Сторонні особи та тварини повинні перебувати на безпечній відстані від робочої зони.
- (Мал. 6) Перед проведенням ремонтних робіт або обслуговування необхідно зупинити двигун та витягнути провід запалювання.
- (Мал. 7) Олива
- (Мал. 8) Швидко
- (Мал. 9) Повільно

- (Мал. 10) Зупинення двигуна
- (Мал. 11) Дросельна заслінка
- (Мал. 12) Зчеплення леза
- (Мал. 13) Остерігайтеся рикошету й об'єктів, які можуть вилітати з-під виробу.
- (Мал. 14) Тримайте руки й ноги на безпечній відстані від леза, що обертається.
- (Мал. 15) Тримайте руки й ноги на безпечній відстані від деталей, що обертаються.
- (Мал. 16) Цей виріб відповідає вимогам директив ЄС.
- (Мал. 17) Цей виріб відповідає вимогам застосованих норм Сполученого Королівства.
- (Мал. 18) Етикетка з інформацією щодо шумових викидів у навколишнє середовище відповідно до вимог директив і нормативних актів ЄС і Сполученого Королівства та Закону про збереження навколишнього середовища (контроль шуму) 2017 р. Нового Південного Уельсу. Гарантований рівень звукової потужності виробу вказано в розділі *Технічні характеристики на сторінці 382* і на етикетці.
- (Мал. 19) Вихлопні гази з двигуна містять монооксид вуглецю – отруйний і дуже небезпечний газ без запаху. Не запускайте інструмент у приміщенні чи в замкнутому просторі.
- (Мал. 20) Не запускайте інструмент у приміщенні чи в замкнутому просторі.
- (Мал. 21) Небезпека вибуху.

- (Мал. 22) Гаряча поверхня
- (Мал. 23) У двигун не залили оливу.
- (Мал. 24) Перед початком експлуатації виробу залийте оливу у двигун.
- (Мал. 25) Не використовуйте пальне Е85.
- (Мал. 26) Тримайте виріб на безпечній відстані від джерел відкритого вогню.
- (Мал. 27) Сканований код.

Зверніть увагу: Інші символи та наклейки на виробі стосуються законодавчих вимог, які діють на певних ринках.

Відповідає вимогам європейського екологічного стандарту Євро-5



ПОПЕРЕДЖЕННЯ: Внесення змін у двигун позбавляє чинності сертифікацію ЄС для цього виробу.

Відповідальність за якість продукції

Згідно із законом про відповідальність за якість продукції ми не несемо відповідальності за будь-які пошкодження, спричинені роботою наших виробів, якщо:

- виріб було неправильно відремонтовано;
- виріб було відремонтовано із використанням деталей, виготовлених не виробником або не затверджених ним;
- виріб обладнано аксесуаром, виготовленим не виробником або не затвердженим ним;
- виріб було відремонтовано в неавторизованому сервісному центрі або неавторизованою компанією;

Безпека

Визначення щодо безпеки

Попередження, застереження й примітки служать для наголошення на особливо важливих положеннях посібника.



ПОПЕРЕДЖЕННЯ: Вказує на те, що в разі порушення інструкцій, наведених у цьому посібнику, існує небезпека поранення або смерті

оператора чи інших осіб, що знаходяться поруч.



УВАГА: Вказує на те, що в разі порушення інструкцій, наведених у цьому посібнику, існує небезпека пошкодження виробу, інших матеріалів або навколишніх об'єктів.

Зверніть увагу: Використовується для надання додаткової інформації щодо певної ситуації.

Загальні правила техніки безпеки



ПОПЕРЕДЖЕННЯ: Перш ніж розпочати використання виробу, уважно прочитайте наведені нижче попередження.

- Цей виріб може бути небезпечним у разі неправильного або недбалого використання. Порушення правил техніки безпеки може призвести до травм або смерті.
- Під час роботи цього виробу утворюється електромагнітне поле. Це поле може за деяких умов взаємодіяти з активними чи пасивними медичними імплантатами. Щоб зменшити ризик тяжких або смертельних травм, рекомендуємо особам із медичними імплантатами проконсультуватися зі своїм лікарем і виробником медичного імплантату перед початком експлуатації цього виробу.
- Завжди будьте обережні та керуйтеся здоровим глуздом. Якщо ви маєте сумніви щодо того, як користуватися виробом у конкретній ситуації, припиніть роботу та проконсультуйтеся з дилером Husqvarna.
- Пам'ятайте, що оператор несе відповідальність за нещасні випадки, в результаті яких постраждали інші особи або їхнє майно.
- Підтримуйте виріб чистим. Переконайтеся, що знаки та наклейки знаходяться в читабельному стані.
- Не дозволяйте використовувати виріб стороннім людям доки не переконаєтеся, що вони прочитали та зрозуміли весь зміст посібника користувача.
- Не давайте використовувати прилад дітям.
- Не підпускайте до робочої зони дітей. Біля виробу, що працює, має завжди перебувати відповідальна доросла особа.
- Не давайте використовувати прилад особам, що не ознайомилися з інструкціями.
- Завжди наглядуйте за особами з обмеженими фізичними чи розумовими можливостями, що використовують виріб. Біля виробу, що працює, повинна завжди знаходитися відповідальна доросла особа.
- Забороняється використовувати виріб, якщо ви втомлені, хворі, чи перебуваєте під впливом наркотиків, алкоголю або медикаментів. Ці фактори мають негативний вплив на ваш зір, зосередженість, свідомість та координацію рухів.
- Забороняється використовувати виріб у разі його несправності.

- Забороняється зміни в конструкцію виробу чи використовувати виріб, якщо є підозра, що його було змінено сторонніми особами.
- Не змінюйте налаштування керування частотою обертання двигуна.

Безпека в робочій зоні



ПОПЕРЕДЖЕННЯ: Перш ніж розпочати використання виробу, уважно прочитайте наведені нижче попередження.

- Перед використанням виробу приборіть з робочої зони всі гілки, лозу та каміння.
- Предмети, що потраплять на різальне обладнання, можуть відлетіти та поранити сторонніх осіб або пошкодити інші предмети. Сторонні особи та тварини повинні знаходитися на безпечній відстані від виробу.
- Забороняється використовувати виріб за поганої погоди на кшталт туману, дощу, сильного вітру, значного холоду або грози. Робота в погану погоду або на вологих ділянках виснажує. Погана погода може стати причиною небезпечних умов роботи, таких як слизькі поверхні.
- Бережіться осіб, предметів та ситуацій, які можуть зашкодити безпечній роботі виробу.
- Бережіться перешкод на кшталт коріння, каміння, гілок, ям або канал. Висока трава може приховувати перешкоди.
- Скошування трави на схилах може бути небезпечним. Не використовуйте виріб на ділянках із нахилом понад 15°.
- Використовуйте виріб на схилах у горизонтальному напрямку. Не рухайтесь вгору і вниз.
- Будьте обережні, наближаючись до прихованих кутів та предметів, які можуть закрити поле зору.

Техніка безпеки



ПОПЕРЕДЖЕННЯ: Перш ніж розпочати використання виробу, уважно прочитайте наведені нижче попередження.

- Використовуйте виріб лише для скошування трав'яних газонів. Заборонено використовувати виріб для інших цілей.
- Використовуйте засоби індивідуального захисту. Див. *Засоби індивідуального захисту на сторінці 374*.
- Дізнайтеся, як швидко зупинити двигун в екстреній ситуації.
- Забороняється запускати двигун у закритому приміщенні або поблизу легкозаймистих матеріалів. Вихлопні дими мають високу

температуру й можуть містити іскри, що можуть призвести до пожежі.

- Забороняється використовувати виріб без правильно встановленого леза та всіх кожухів. Неправильно встановлене лезо може від'єднатися й призвести до травм.
- Слідкуйте, щоб лезо не зачіпляло сторонні предмети на кшталт каменя та коріння. Це може призвести до пошкодження леза та згинання вала двигуна. Зігнута вісь викликає значні вібрації та призводить до ризику від'єднання леза від виробу.
- У разі удару леза об будь-який сторонній предмет чи появи вібрації негайно зупиніть виріб. Від'єднайте провід запалювання від свічки запалювання. Перевіряйте виріб на наявність пошкоджень. Виправляйте пошкодження або здавайте виріб на ремонт в авторизований центр обслуговування.
- Забороняється закріпляти ручку зупинення двигуна на рукоятці, коли працює двигун.
- Поставте виріб на тверду рівну поверхню та ввімкніть його. При цьому лезо не повинно торкатися землі або інших предметів.
- Під час роботи з виробом завжди залишайтеся позаду нього.
- Під час роботи з виробом усі колеса мають залишатися на землі, а обидві руки треба тримати на ручці. Тримайте руки та ноги на відстані від лез, що обертаються.
- Не нахиляйте виріб, коли двигун увімкнений.
- Будьте обережні під час руху у зворотному напрямку.
- Забороняється піднімати виріб коли двигун увімкнений. Якщо виріб треба підняти, спочатку вимкніть двигун та від'єднайте провід запалювання від свічки запалювання.
- Не рухайтесь у зворотному напрямку під час роботи з виробом.
- Вимикайте двигун під час руху через ділянки без трави на кшталт доріжок із гравію, каменю або асфальту.
- Не бігайте з виробом, коли двигун увімкнений. Під час роботи з виробом необхідно ходити зі звичайною швидкістю.
- Вимикайте двигун, перш ніж змінювати висоту різання. Забороняється виконувати регулювання при ввімкненому двигуні.
- Забороняється залишати виріб без нагляду коли двигун працює. Зупиніть двигун та переконайтеся, що ріжуче обладнання не обертається.

Правила техніки безпеки під час використання

Засоби індивідуального захисту



ПОПЕРЕДЖЕННЯ: Перш ніж розпочати використання виробу, уважно прочитайте наведені нижче попередження.

- Особисте захисне спорядження не може повністю усунути небезпеку травмування, але при нещасному випадку воно знизить ступінь важкості травми. Дозвольте дилеру допомогти вам із вибором підходящого обладнання.
- Використовуйте засоби захисту органів слуху, якщо рівень шуму перевищує 85 дБ.
- Використовуйте взуття із захистом від ковзання для роботи у важких умовах. Забороняється використовувати відкрите взуття або працювати взагалі без нього.
- Використовуйте чупкі довгі штани.
- За потреби використовуйте рукавички, наприклад, якщо необхідно приєднати, оглянути або почистити різальне обладнання.

Запобіжне обладнання на виробі



ПОПЕРЕДЖЕННЯ: Перш ніж розпочати використання виробу, уважно прочитайте наведені нижче попередження.

- Не використовуйте виріб із запобіжними пристроями, які пошкоджені або не працюють належним чином.
- Регулярно перевіряйте захисні пристрої. Якщо запобіжні пристрої пошкоджені або не працюють належним чином, зверніться до центру обслуговування Husqvarna.
- Не вносьте зміни до захисних пристроїв.

Перевірка кожуха леза

Кожух леза частково поглинає вібрацію виробу та знижує небезпеку травмування лезом.

- Огляньте кожух леза та переконайтеся, що він не має пошкоджень на кшталт тріщин.

Перевірка ручки зупинення двигуна (LC 551SP, LC 551VQ)

Ручка зупинення двигуна зупиняє двигун.

За відпускання ручки зупинення двигуна він зупиняється.

- Запустіть двигун, а потім відпустіть ручку зупинення двигуна. Якщо двигун не зупиняється протягом 3 секунд, необхідно передати виріб в авторизований центр обслуговування Husqvarna для налаштування гальма двигуна. (Мал. 28)

Перевірка механізму керування гальмом леза й обмежувача запуску (LC 551VBP)

Механізм керування гальмом леза зупиняє лише лезо, а двигун продовжує працювати. За відпускання механізму керування гальмом леза воно зупиняється.

1. Запустіть двигун.
2. Перемістіть механізм керування гальмом леза в напрямку рукоятки. Обмежувач запуску блокує рух.
3. Потягніть обмежувач запуску.
4. Перемістіть механізм керування гальмом леза в напрямку рукоятки. Лезо почне обертатися.
5. Відпустіть механізм керування гальмом леза. Якщо лезо не зупиняється протягом 3 секунд, необхідно передати виріб в авторизований центр обслуговування Husqvarna для налаштування гальма леза. (Мал. 29)
6. Переконайтеся, що обмежувач запуску повернувся в початкове положення.

Глушник

Глушник зменшує рівень шуму та відводить вихлопні гази подалі від оператора.

Не використовуйте виріб із пошкодженим глушником або взагалі без глушника. В разі пошкодження глушника збільшується рівень шуму та підвищується небезпека загорання.



ПОПЕРЕДЖЕННЯ: Під час роботи виробу та відразу після роботи, а також під час роботи двигуна на холостих обертах глушник сильно нагрівається. Зважайте на легкозаймисті матеріали та/або випари, щоб не допустити пожежі.

Перевірка глушника

- Регулярно оглядайте глушник, стежте, щоб він був правильно під'єднаний та справний.

Заходи безпеки під час роботи з паливом



ПОПЕРЕДЖЕННЯ: Перш ніж розпочати використання виробу, уважно прочитайте наведені нижче попередження.

- Не запускайте виріб, якщо на ньому залишилися пальне або моторна олива. Приберіть непотрібне пальне/оливу та дайте виробу просохнути.

- Якщо ви пролили пальне на свій одяг, негайно переодягніться.
- Не допускайте потрапляння пального на тіло, адже це може призвести до травм. Для видалення пального, що потрапило на тіло, використовуйте мило та воду.
- Не запускайте виріб у разі наявності протікання у двигуні. Регулярно перевіряйте двигун на протікання.
- Будьте обережні при поводженні з паливом. Пальне є легкозаймистою речовиною, а його пари вибухонебезпечні та можуть призвести до травм або смерті.
- Не вдихайте вихлопні гази, це може призвести до травм. Забезпечте належне провітрювання.
- Не паліть біля пального або двигуна.
- Не кладіть біля пального або двигуна теплі предмети.
- Не доливайте пальне в працюючий виріб.
- Перед заправленням переконайтеся, що двигун охолонув.
- Перед заправленням повільно відкрийте кришку паливного бака, обережно зменшивши тиск.
- Не заправляйте виріб у приміщенні. Недостатнє провітрювання може призвести до травм або смерті внаслідок задухи чи отруєння монооксидом вуглецю.
- Затягуйте кришку паливного бака повністю. Якщо кришку паливного бака не затягнуто, існує ризик виникнення пожежі.
- Перед запуском пересуньте виріб щонайменше на 3 м від місця, де ви заправляли його.
- Не заповнюйте паливний бак повністю. Під впливом високої температури паливо розширюється. Залиште трохи вільного місця вгорі бака.

Правила техніки безпеки під час обслуговування



ПОПЕРЕДЖЕННЯ: Перш ніж розпочати використання виробу, уважно прочитайте наведені нижче попередження.

- Вихлопні гази з двигуна містять монооксид вуглецю, отруйний та дуже небезпечний газ без запаху. Забороняється заводити виріб у приміщенні чи в замкнутому просторі.
- Перед тим, як почати технічне обслуговування виробу, вимкніть двигун та від'єднайте провід запалювання від свічки запалювання.
- Під час технічного обслуговування різального обладнання використовуйте захисні рукавиці. Лезо дуже гостре, ним можна легко порізатися.
- Встановлення аксесуарів, виготовлених не виробником, або внесення змін, не затверджених ним, може призвести до серйозної травми чи

смерті. Вносити зміни в виріб забороняється. Використовуйте лише сертифіковані виробником аксесуари.

- Якщо не проводити правильне та регулярне технічне обслуговування, виникає небезпека травм та пошкодження виробу.
- Виконуйте технічне обслуговування лише так, як це наведено в цьому посібнику

користувача. Будь-які інші види обслуговування повинні проводитися в авторизованому центрі обслуговування Husqvarna.

- Регулярне обслуговування виробу може проводити авторизований центр обслуговування Husqvarna.
- Замінійте пошкоджені, зношені або зламані деталі.

Збирання

Вступ



ПОПЕРЕДЖЕННЯ: Перед монтажем виробу обов'язково прочитайте й усвідомте зміст розділу про заходи безпеки.



ПОПЕРЕДЖЕННЯ: Перед збиранням виробу необхідно від'єднати кабель від свічки запалювання.

Монтаж ручки

1. Послабте фіксувальні головки з лівої та правої сторони виробу. Переконайтеся, що пластикова шайба перебуває в канавці скоби ручки. (Мал. 30)
2. Установіть складену вперед ручку, як це показано на рисунку. (Мал. 31)
 - а) Переконайтеся, що пластикова шайба перебуває між рукою й скобою ручки.
 - б) Під'єднайте ручку до скоби.
3. Підніміть ручку. (Мал. 32)
4. Надійно затягніть фіксувальні головки. Порядок регулювання висоти ручки дивіться в розділі *Налаштування висоти ручки на сторінці 376*.
5. Розташуйте дроти в кріпильних скобах кабелів. Переконайтеся, що дроти не перекручені. Прикріпіть кріпильні скоби кабелів на ручку. (Мал. 33)
6. Прикріпіть кабелі до скоби ручки за допомогою кабельних стяжок. (Мал. 34)

Налаштування висоти ручки

1. Відпустіть нижні фіксувальні головки.
2. Пересуньте головки в нижню частину прорізів зліва та справа виробу. (Мал. 35)
3. Установіть висоту ручки в одне з двох доступних положень.
4. Пересуньте головки вгору в напрямку рукоятки, доки вони не зупиняться й ви не почуєте клацання. (Мал. 36)
5. Надійно затягніть фіксувальні головки.

Встановлення виробу в положення для транспортування

1. Зніміть травозбірник.
2. Відпустіть нижні фіксувальні головки.
3. Пересуньте головки в нижню частину прорізів зліва та справа виробу. (Мал. 35)
4. Складіть ручку вперед. (Мал. 37)

Встановлення виробу в положення для експлуатації

1. Підніміть рукоятку. (Мал. 32)
2. Пересуньте головки вгору в напрямку рукоятки, доки вони не зупиняться й ви не почуєте клацання. (Мал. 36)
3. Надійно затягніть фіксувальні головки.

Монтаж травозбірника

1. Встановіть раму травозбірника на мішок для трави. Твердий бік мішка має бути низу. Тримайте рукоятку рами зверху мішка для трави. (Мал. 38)
2. Вставте нижню частину рами травозбірника в нижню частину мішка для трави. (Мал. 39)
 - а) Вставте раму травозбірника в паз. Починайте з правої сторони, як показано на рисунку, і поступово просувайтеся ліворуч.
3. Якщо рама травозбірника вставляється важко, обережно вдарте по ній гумовим молотком. Вдаряйте по рамі між ребрами жорсткості. (Мал. 40)
4. Зафіксуйте мішок для трави на рамі травозбірника за допомогою затискачів. (Мал. 41)
5. Підніміть задню кришку.
6. Під'єднайте травозбірник до верхньої кромки рами.
7. Встановіть нижню частину травозбірника в канал викидання трави. (Мал. 42)

Монтаж заглушки для мульчування (аксесуар)

1. Підніміть задню кришку й вийміть травозбірник.

2. Вставте заглушку для мульчування в канал викидання. (Мал. 43)
3. Замініть стандартне лезо на лезо для мульчування, що постачається в комплекті приладдя для мульчування. Див. *Заміна ножа на сторінці 380.*

- Зніміть заглушку та лезо для мульчування, якщо вони встановлені.
- Перед використанням виробу закрийте задню кришку.

Під час експлуатації виробу зрізана трава викидається під задньою кришкою.

Скошування трави без травозбірника чи заглушки для мульчування

- Підніміть задню кришку та вийміть травозбірник.

Експлуатація

Вступ



ПОПЕРЕДЖЕННЯ: Перед експлуатацією виробу обов'язково прочитайте й усвідомте зміст розділу про заходи безпеки.

Husqvarna Connect

Husqvarna Connect є безкоштовною програмою для мобільного пристрою. У програмі Husqvarna Connect доступна ціла низка розширених функцій для користування Husqvarna:

- розширена інформація про виріб;
- відомості про деталі й обслуговування виробу, а також довідкова інформація.

Щоб почати користуватися Husqvarna Connect

1. Завантажте програму Husqvarna Connect на свій мобільний пристрій.
2. Зареєструйтеся в програмі Husqvarna Connect.
3. Виконайте кроки з реєстрації в програмі Husqvarna Connect, щоб під'єднати та зареєструвати виріб.

Перед початком роботи з виробом

1. Уважно прочитайте посібник користувача та переконайтеся, що ви зрозуміли всі вказівки.
2. Огляньте різальне обладнання та переконайтеся, що воно правильно встановлено та налаштовано. Див. *Перевірка різального обладнання на сторінці 379.*
3. Наповніть паливний бак. Див. *Заправлення паливом на сторінці 377.*
4. Наповніть паливний бак та перевірте рівень оливи. Див. *Перевірка рівня оливи на сторінці 380.*

Заправлення паливом

Якщо є можливість, використовуйте бензин з низьким рівнем викидів/бензин-алклат. Якщо можливості

використовувати бензин з низьким рівнем викидів/бензин-алклат немає, використовуйте якісний неетилований бензин або етилований бензин із октановим числом не менше 90.



УВАГА: Не використовуйте бензин із октановим числом нижче 90 RON (87 AKI). Це може призвести до пошкодження виробу.

1. Повільно відкрутіть кришку паливного бака, щоб вивільнити тиск.
2. Повільно влийте пальне з канистри. У разі проливання пального витріть його ганчіркою або дайте йому висохнути. (Мал. 44)
3. Витріть поверхню біля кришки паливного бака.
4. Затягуйте кришку паливного бака повністю. Якщо кришку паливного бака не затягнуто, існує ризик виникнення пожежі.
5. Перед запуском пересуньте виріб на 3 м від місця, де ви заправляли його.

Налаштування висоти скошування

Можна встановити 6 різних рівнів висоти різання.

1. Щоб збільшити висоту різання, посуňte регулятор висоти різання в напрямку колеса й назад.
2. Щоб зменшити висоту різання, посуňte регулятор висоти різання в напрямку колеса й вперед. (Мал. 45)



УВАГА: Не встановлюйте занадто низьку висоту різання. Леза можуть зачепити землю, якщо поверхня газону буде нерівною.

Запуск виробу (LC 551VQ)

1. Упевніться, що провід запалювання під'єднаний до свічки запалювання.
2. Залишайтеся позаду виробу.
3. Утримуйте ручку зупинення двигуна біля рукоятки. (Мал. 46)

4. Утримуйте ручку троса стартера правою рукою.
5. Повільно потягніть ручку троса стартера доки не відчуєте певний опір.
6. Сильно потягніть, щоб запустити двигун.

Запуск виробу (LC 551SP, LC 551VBP)

1. Переконайтеся, що дрід запалювання під'єднаний до свічки запалювання.
2. Залишайтеся позаду виробу.
3. Відрегулюйте регулятор газу.
 - a) Якщо двигун холодний, установіть регулятор газу в положення заслінки. (Мал. 47)
 - b) Якщо двигун теплий, не встановлюйте регулятор газу в положення заслінки.
4. У разі використання моделі LC 551SP, утримуйте ручку зупинення двигуна біля рукоятки. (Мал. 46)
5. Утримуйте ручку троса стартера правою рукою.
6. Повільно потягніть ручку троса стартера доки не відчуєте деякий спротив.
7. Потягніть шнур сильно, щоб запустити двигун.
8. Установіть регулятор газу в положення повністю відкритої дросельної заслінки.
9. Для моделі LC 551VBP:
 - a) Відпустіть обмежувач запуску.
 - b) Щоб запустити леза, перемістіть механізм керування гальмом леза в напрямку рукоятки.

Щоб підключити привід до коліс

- Потягніть привідну скобу в напрямку рукоятки. (Мал. 48)
- Для моделей LC 551VQ і LC 551VBP: Налаштуйте швидкість руху за допомогою регулятора швидкості на лівому боці рукоятки. Перемістіть регулятор швидкості вперед для збільшення швидкості, і назад – для зменшення швидкості. (Мал. 49)

- Перш ніж рухати виріб у зворотному напрямку, розчепіть привід і штовхніть виріб вперед приблизно на 10 см.
- У разі наближенні до перешкоди відпустіть привідну скобу, щоб розчепити привід.

Зупинення виробу (LC 551SP, LC 551VQ)

- Щоб зупинити тільки привід, необхідно відпустити привідну скобу.
- Щоб зупинити двигун, необхідно відпустити ручку зупинення двигуна.

Вимкнення виробу (LC 551VBP)

- Щоб зупинити тільки привід, необхідно відпустити привідну скобу.
- Щоб зупинити двигун, переведіть регулятор газу в положення зупинення.

Забезпечення ефективної роботи

- Завжди користуйтеся гострим лезом. Тупе лезо ріже нерівно, а трава на поверхні розрізу жовтіє. Крім того, гостре лезо споживає менше енергії за тупе.
- Не скошуйте більше $\frac{1}{3}$ довжини трави. Спочатку треба виконувати скошування з великою висотою різання. Оцініть результат і зменште висоту зрізання на потрібну вам. Якщо трава дуже довга, ведіть газонокосарку повільно і виконайте скошування двічі, якщо це необхідно.
- Косіть щоразу в різних напрямках, щоб на газоні не було смуг.
- Тримайте кожух леза в чистоті. Скупчення трави й бруду на внутрішньому боці кожуха леза може негативно вплинути на результат роботи. Див. *Чищення внутрішніх поверхонь кожуха леза на сторінці 379.*

ТЕХНІЧНЕ ОБСЛУГОВУВАННЯ

Вступ



ПОПЕРЕДЖЕННЯ: Перед виконанням робіт із технічного обслуговування обов'язково прочитайте й усвідомте зміст розділу про заходи безпеки.

Для всіх робіт з обслуговування та ремонту необхідна спеціальна підготовка. Ми гарантуємо доступність послуг із професійного ремонту та обслуговування. Якщо ваш дилер не є агентом з обслуговування, зверніться до нього по інформацію щодо найближчого центру обслуговування.

Для отримання більш детальної інформації див. www.husqvarna.com.

Графік технічного обслуговування



УВАГА: У разі нахилання виробу переконайтеся, що повітряний фільтр розташований зверху й не направлений у бік землі. Ризик пошкодження двигуна.

Інтервали технічного обслуговування зазначено з урахуванням щоденного використання виробу. Інтервали змінюються для іншої частоти використання виробу.

Вказівки щодо технічного обслуговування елементів, позначених зірочкою (*), дивіться в розділі *Запобіжне обладнання на виробі на сторінці 374.*

Технічне обслуговування	Щодня	Щотижня	Щомісяця
Загальна перевірка	X		
Перевірка рівня оливи	X		
Очищення виробу	X		
Перевірка різального обладнання	X		
Перевірка кожуха леза*	X		
Перевірка ручки зупинення двигуна* LC 551SP, LC 551VQ	X		
Перевірка механізму керування гальмом леза* LC 551VBP	X		
Перевірка глушника*		X	
Перевірка свічки запалювання		X	
Заміна оливи (перший раз через 5 годин експлуатації, далі – кожні 50 годин експлуатації)			X
Очищення чи заміна повітряного фільтра			X
Перевірка паливної системи			X

Процедура загальної перевірки

- Переконайтеся, що всі гайки й гвинти на виробі затягнуто відповідним чином.

Чищення виробу

- Для очищення пластмасових деталей використовуйте суху чисту тканину.
- Не мийте виріб. Вода може потрапити в акумулятор чи двигун і призвести до короткого замикання або пошкодження виробу.
- Не використовуйте для чищення виробу мийний апарат високого тиску.
- Заборонено лити воду безпосередньо на двигун.
- Видаляйте листя, траву та бруд за допомогою щітки.
- Зніміть кришку зчеплення й за допомогою щітки видаліть траву з-під неї. (LC 551VBP)

Чищення внутрішніх поверхонь кожуха леза

1. Вилийте паливо з паливного бака.
2. Покладіть виріб на бік глушником донизу.



УВАГА: Якщо покласти виріб повітряним фільтром донизу, може виникнути ризик пошкодження двигуна.

3. Промийте водою зі шлангу внутрішню поверхню кожуха леза.

Перевірка різального обладнання



ПОПЕРЕДЖЕННЯ: Зніміть провід запалювання зі свічки запалювання, щоб попередити ненавмисний запуск.



ПОПЕРЕДЖЕННЯ: Під час технічного обслуговування різального обладнання використовуйте захисні рукавиці. Лезо дуже гостре, ним можна легко порізатися.

1. Перевірте різальне обладнання на наявність пошкоджень або тріщин. Обов'язково замінійте пошкоджене різальне обладнання.
2. Огляньте лезо на предмет пошкоджень або затуплення.

Зверніть увагу: Після гостріння леза необхідно відрегулювати його баланс. Гостріння, заміну та балансування леза необхідно проводити в центрі обслуговування. У разі потрапляння на перешкоду, що призвела до зупинки двигуна, замініть пошкоджене лезо. Спеціалісти центру обслуговування мають провести оцінювання стану леза та надати консультацію щодо необхідності його гостріння або заміни.

Заміна ножа

1. Зафіксуйте лезо дерев'яним брусом. (Мал. 50)
2. Вийміть болт леза.
3. Зніміть лезо.
4. Перевірте опору леза й болт леза на наявність пошкоджень.
5. Перевірте, чи не погнутий вал двигуна.
6. Під час установлення нового леза направляйте кути леза в напрямку кожуха леза. (Мал. 51)
7. Переконайтеся, що лезо розташоване на одному рівні із центром вала двигуна.
8. Зафіксуйте лезо дерев'яним брусом. (Мал. 52)
9. Установіть лезо.
 - a) На моделі LC 551SP, LC 551VQ, установіть пружинну шайбу й затягніть болт і шайбу з моментом затягування 70 Н·м.
 - b) На моделі LC 551VBP затягніть болти з моментом затягування 50 Н·м. (Мал. 53)
10. Прокрутіть лезо рукою й переконайтеся в тому, що воно вільно обертається.



ПОПЕРЕДЖЕННЯ:

Використовуйте міцні робочі рукавиці. Лезо дуже гостре, ним можна легко травмуватися.

11. Запустіть виріб, щоб перевірити роботу леза. У разі неправильного встановлення леза у виріб буде спостерігатися вібрація або результат скошування буде незадовільним.

Перевірка рівня оливи



УВАГА: Занадто низький рівень оливи може спричинити пошкодження двигуна. Перед запуском виробу необхідно перевіряти рівень оливи.

1. Установіть виріб на рівній поверхні.
2. Зніміть кришку бака для оливи за допомогою під'єднаного вимірювального стрижня.
3. Усуньте оливу з вимірювального стрижня.
4. Повністю вставте вимірювальний стрижень у бак для оливи. Затягніть кришку бака для оливи, щоб отримати достовірне уявлення про рівень оливи.
5. Вийміть вимірювальний стрижень.
6. Перевірте рівень оливи на вимірювальному стрижні.
7. Якщо рівень оливи занижений, залийте моторну оливу й перевірте рівень ще раз.

(Мал. 54)

Зверніть увагу: Для запобігання проливання скористайтеся лішкою.

Заміна моторної оливи



ПОПЕРЕДЖЕННЯ: Відразу після заправки двигуна моторна олива є дуже гарячою. Дайте двигуну охолонути, перш ніж зливати моторну оливу. Якщо моторна олива потрапить на шкіру, промийте цю ділянку водою з милом.

(Мал. 55)

1. Витягніть провід запалювання зі свічки запалювання.
2. Зніміть кришку бака для оливи.
3. Злийте моторну оливу.
 - a) Для моделей із пробкою зливного отвору: помістіть під пробку зливного отвору посудину для збору моторної оливи.
 - b) Для моделей без пробки зливного отвору або якщо під пробку зливного отвору неможливо помістити посудину: зливайте моторну оливу з масляного бака, використовуючи оливний насос (приладдя).
4. Залийте свіжу моторну оливу рекомендованого типу, указанного в розділі *Технічні характеристики на сторінці 382*.
5. Перевірте рівень оливи. Дивіться розділ *Перевірка рівня оливи на сторінці 380*.

Заливання й заміна моторного мастила

- Інформацію щодо заливання й заміни моторного мастила див. у посібнику користувача для двигуна.

Очищення та заміна повітряного фільтра (LC 5551SP, LC 551VBP)

- Інформацію щодо чищення й заміни повітряного фільтра дивіться в посібнику користувача двигуна.

Установлення й виймання повітряного фільтра (LC 551VQ)



ПОПЕРЕДЖЕННЯ:

Використовуйте захисні рукавиці.

1. Натисніть на затискачі кришки повітряного фільтра.
2. Обережно зніміть кришку повітряного фільтра (А) з двигуна.

- Зніміть повітряний фільтр (В) і поролоневий фільтр (С). (Мал. 56)
- Перевірте повітряний фільтр на наявність пошкоджень. Пошкоджений повітряний фільтр необхідно замінити.
- Почистьте й перевірте повітряний фільтр. Дивіться розділ *Очищення повітряного фільтра (LC 551VQ) на сторінці 381.*
- Для встановлення виконайте вказівки вище у зворотному порядку.

Очищення повітряного фільтра (LC 551VQ)



УВАГА: Заборонено експлуатувати виріб без повітряного фільтра або якщо фільтр забруднений.



УВАГА: Якщо фільтр не можна повністю очистити або він має пошкодження, замініть його. Несправний повітряний фільтр спричиняє пошкодження двигуна.

- Натисніть на засувки (А), зніміть кришку повітряного фільтра (В) і вийміть сам фільтр (С). (Мал. 57)
- Постукайте повітряним фільтром об тверду поверхню або продуйте стисненим повітрям із чистої сторони.



УВАГА: Не використовуйте щітку для очищення, адже це просуває бруд усередину фільтра.

- Очистьте тримач повітряного фільтра (D) і кришку фільтра вологою ганчіркою.



УВАГА: Переконайтеся, що в повітропроводі (Е) не потрапляє бруд.

- Установіть повітряний фільтр. Переконайтеся, що повітряний фільтр щільно сів на тримач фільтра.
- Установлюйте кришку повітряного фільтра спершу нижніми засувками.

Перевірка свічки запалювання



УВАГА: Завжди користуйтеся рекомендованими свічками запалення.

Неправильний тип свічки запалювання може призвести до пошкодження виробу.

- У разі, якщо двигун втрачає потужність, його важко запустити або він погано працює на холостому ходу, необхідно перевірити свічку запалювання.
- Щоб зменшити ризик потрапляння зайвих предметів на електроди свічки запалювання, дотримуйтеся таких інструкцій:
 - переконайтеся, що швидкість холостого ходу встановлено правильно;
 - переконайтеся в правильності змішування паливної суміші;
 - переконайтеся, що повітряний фільтр чистий.
- Якщо свічка запалювання забруднена, її слід очистити й переконатися в тому, що між електродами встановлено правильний проміжок (див. *Технічні характеристики на сторінці 382.* (Мал. 58))
- За необхідності замініть свічку запалювання.

Перевірка паливної системи

- Перевірте кришку паливного бака та її ущільнювач на предмет пошкоджень.
- Перевірте шланг подачі пального на предмет протікань. У разі пошкодження шланга подачі пального замініть його в центрі обслуговування.

Налаштування регуляторів швидкості й газу

Регулятор швидкості налаштовує швидкість руху. Регулятор газу налаштовує частоту обертання двигуна.



УВАГА: Не налаштовуйте регулятор швидкості, коли двигун увімкнено.

- Для налаштування швидкості руху поверніть регульовальний гвинт (А), щоб відрегулювати довжину оболонки кабелю. Щоб збільшити швидкість руху, зменште довжину оболонки кабелю.
- Якщо не вдається перевести регулятор у положення заслінки або зупинення, відрегулюйте частоту обертання двигуна. Поверніть регульовальний гвинт (В). (Мал. 59)

Транспортування, зберігання й утилізація

Транспортування та зберігання

- У разі транспортування та зберігання виробу та пального необхідно переконатися у відсутності протікань та випарів. Іскри або відкритий вогонь, наприклад, від електричних пристроїв, можуть спричинити пожежу.
- Для зберігання та транспортування палива слід використовувати лише сертифіковані резервуари.
- Спорожніть паливний бак у разі, якщо виріб зберігатиметься протягом тривалого часу. Утилізуйте паливо у відповідних місцях для утилізації¹
- Під час транспортування закріплюйте виріб безпечним чином, щоб уникнути пошкоджень та нещасних випадків.
- Зберігайте виріб у закритому приміщенні, куди не зможуть отримати доступ діти та особи без належної підготовки.

- Зберігайте виріб у сухому місці за температури нижче 0 градусів.

Утилізація

- Виконуйте місцеві вимоги та відповідні норми і правила щодо утилізації.
- Утилізуйте всі хімічні речовини на кшталт моторної оливи або палива в центрі обслуговування або у відповідних місцях для утилізації.
- Якщо виріб більше не використовується, відправте його дилеру Husqvarna або утилізуйте у відповідному місці для утилізації.

Технічні характеристики

	LC 551SP	LC 551VBP	LC 551VQ
Двигун			
Бренд	Kawasaki	Kawasaki	Husqvarna
Модель	FJ180V	FJ180V	HS 166AP
Тип двигуна	Одноциліндровий, 4-тактний, примусове повітряне охолодження, клапан розташований зверху	Одноциліндровий, 4-тактний, примусове повітряне охолодження, клапан розташований зверху	Одноциліндровий, 4-тактний, примусове повітряне охолодження, клапан розташований зверху
Об'єм, см ³	179	179	166
Частота обертання, об./хв	2800	2800	2800
Номинальна потужність двигуна, кВт ¹³⁶	2,9	2,9	2,7
Система запалювання			
Свічка запалювання	NGK BPR5ES	NGK BPR5ES	Husqvarna HQT-7
Проміжок між електродами, мм	0,6–0,8	0,6–0,8	0,7–0,8
Паливна система й система змащування			

¹³⁶ Указана номінальна потужність двигуна є середньою кінцевою потужністю (за вказаного числа обертів на хвилину) типового серійного двигуна для цієї моделі, виміряною згідно зі стандартом SAE J1349/ISO1585. Потужність серійних двигунів може відрізнятися від цього значення. Фактична вихідна потужність двигуна, встановленого у виробі, залежить від робочої швидкості, умов навколишнього середовища та інших факторів.

	LC 551SP	LC 551VBP	LC 551VQ
Тип змащування двигуна	Під тиском через оливний фільтр	Під тиском через оливний фільтр	Бризкання
Місткість паливного бака, л	1,9	1,9	1,5
Місткість бака для мастила, л	0,7	0,7	0,5
Моторна олива ¹³⁷	Husqvarna SAE 30	Husqvarna SAE 30	Husqvarna SAE 30
Маса			
Маса з порожніми баками, кг	48,5	52,5	51,0
Випромінювання шуму ¹³⁸			
Рівень звукової потужності, дБ (А)	97	96	97
Гарантований рівень звукової потужності, L _{WA} дБ(А)	98	98	98
Рівні звуку ¹³⁹			
Рівень звукового тиску у вусі оператора, дБ(А)	87	84	86
Рівні вібрації ¹⁴⁰			
Ручка, м/с ²	4,5	4,5	3,2
Різальне обладнання			
Висота зрізання, мм	26–74	26–74	26–74
Ширина зрізання, мм	510	510	510
Лезо	Збирання	Збирання	Збирання
Артикул	5875908–10	5821494–10	5875908–10
Ємність травозбірника, літрів	65	65	65
Привод			
Швидкість, км/год	4,1	2,8–5	2,8–5

¹³⁷ У разі використання оливи SAE-30 за температури нижче +5 °C існує ризик недостатнього змащування двигуна. Це може призвести до пошкодження двигуна. Дивіться розділ *Заміна моторної оливи на сторінці 380* для отримання відомостей щодо оливи для низьких температур.

¹³⁸ Випромінювання шуму в середовище, виміряне як звукова потужність (L_{WA}), відповідає директиві ЄС 2000/14/ЄС.

¹³⁹ Рівень шумового тиску відповідає стандарту ISO 5395. Заявлені дані про рівень звукового тиску мають стандартну статистичну розбіжність (стандартне відхилення) у 1,2 дБ(А).

¹⁴⁰ Рівень вібрації відповідає стандарту ISO 5395. Заявлені дані щодо рівня вібрації мають стандартну статистичну розбіжність (стандартне відхилення) у 0,2 м/с².

Декларація відповідності

Декларація відповідності ЄС

Ми, компанія **Husqvarna AB**, SE-561 82 Huskvarna, Швеція, тел.: +46-36-146500, заявляємо під свою виключну відповідальність, що представлений виріб:

Опис	Газонокосарка
Бренд	Husqvarna
Тип / модель	LC 551SP, LC 551VBP, LC 551VQ
Ідентифікація	Серійні номери за 2022 рік і пізніше

повністю відповідає таким директивам і нормам ЄС:

Норма	Опис
2006/42/EC	«Про механічне обладнання»
2014/30/EU	«Про електромагнітну сумісність»
2000/14/EC	«Про виділення шуму в навколишнє середовище»
2011/65/EU	«Про обмеження використання деяких небезпечних речовин в електричному й електронному обладнанні»

і що до нього застосовуються вказані далі узгоджені стандарти та/або технічні специфікації: EN ISO 5395-1:2013/A1:2018, EN ISO 5395-2:2013/A1:2016/A2:2017, EN ISO 14982:2009, EN IEC 63000:2018

Уповноважений орган: Компанія 0404, RISE SMP Svensk Maskinprovning AB, Box 4053, SE-904 03 Umeå, Sweden підтвердила відповідність директиві ради ЄС 2000/14/EC, процедура оцінки відповідності: Додаток VI.

Відомості стосовно випромінювання шуму дивіться в розділі *Технічні характеристики на сторінці 382*.

Huskvarna, 2022-09-29



Клас Лосдал (Claes Losdal), директор із питань розвитку / продукції для садівництва, Husqvarna AB

Відповідальний за технічну документацію



Husqvarna®

www.husqvarna.com

Original instructions
Оригинални инструкции
Původní pokyny
Originale instruktioner
Originalanweisungen
Αρχικές οδηγίες
Instrucciones originales
Originaaljuhend
Alkuperäiset ohjeet
Instructions d'origine

Originalne upute
Eredeti útmutatás
Istruzioni originali
取扱説明書原本

Originalios instrukcijos
Lietošanas pamācība
Originele instructies
Originale instruksjoner
Oryginalne instrukcje
Instrucções originais
Instrucijuni inițiale
Оригинальные инструкции
Põvodné pokyny
Izvirna navodila
Originalna uputstva
Bruksanvisning i original
Orijinal talimatlar
Оригинальні інструкції



1142949-38



2023-04-03